

# 3701 MIRAMAR

## MASTER BATHROOM VANITIES

Sheet #	Sheet Name
00	Cover Page
Sheet A1	HER VANITY
Sheet A2	HIS VANITY
Sheet A3	BRACKETS & TOILET SINK
Sheet A4	MIRROR BASE



### PROGRESS DRAWING

This presentation is not intended to be used for contract pricing or fabrication purposes. All content is subject to change.

DISCARD ALL PRESENTATIONS THAT WERE MADE ON THIS ITEM PRIOR TO THE DATE BELOW:

**07/28/2022**

#### NOTES

The drawings included in presentations may not be scaled. The numerical dimensions represent correct measurements. All dimensions are given from finished floor and finished wall unless otherwise noted. All design ideas, drawings and plans represented here are owned by the property of **WESTHAVEN CONSTRUCTION SERVICES**. Above suggested electrical and plumbing locations, must be verified in field.

### PROJECT

**3701  
MIRAMAR**

### PAGE NAME

Cover Page

### DESIGN BY

J. ALONSO

### DRAWING BY

A. QUINTERO

### CREATED

08/ 18/ 2021

### MODIFIED

07/28/2022

### CLIENT

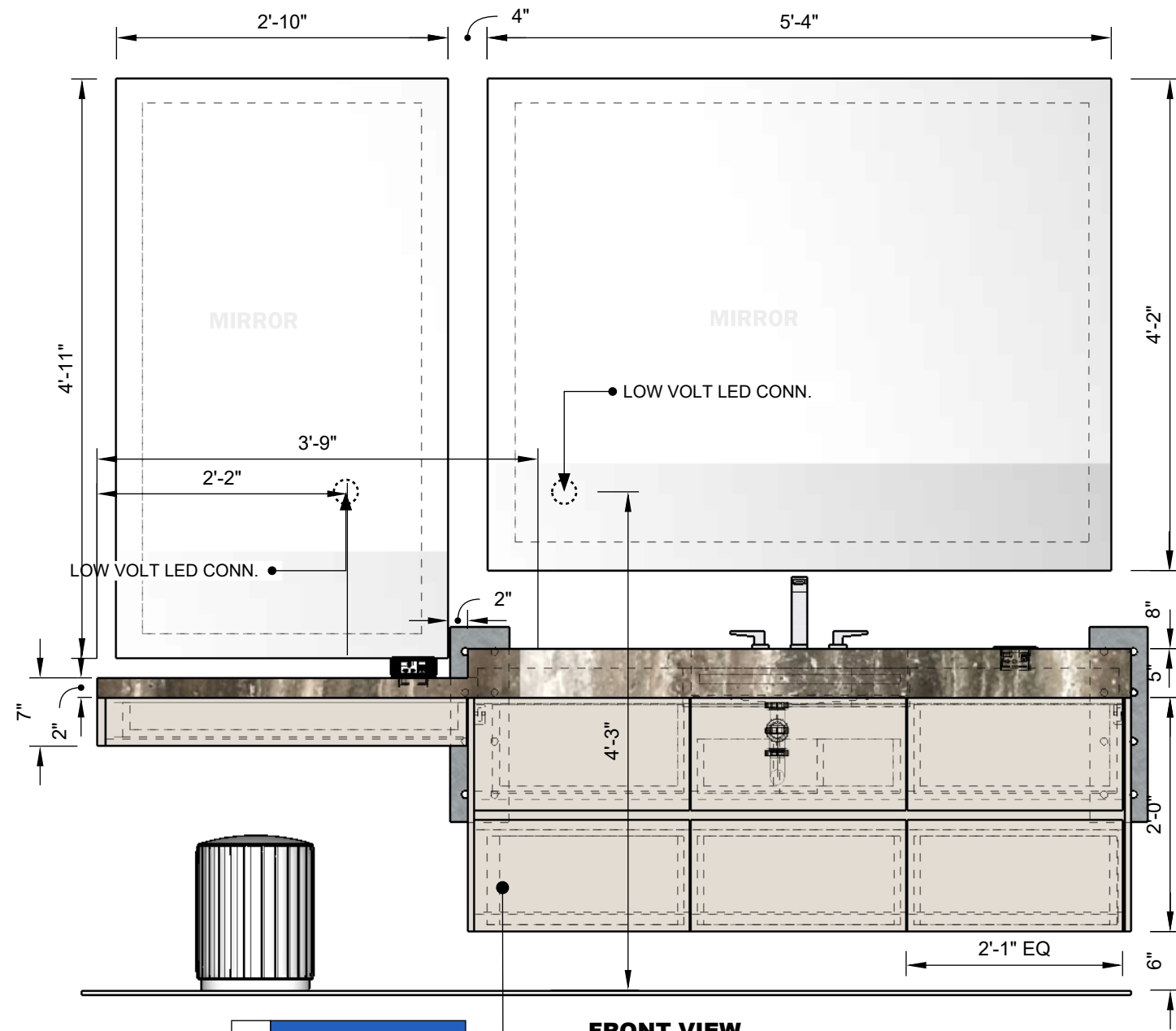
JOEL & YOLY ALONSO

### ADDRESS

0000  
FL, 33000

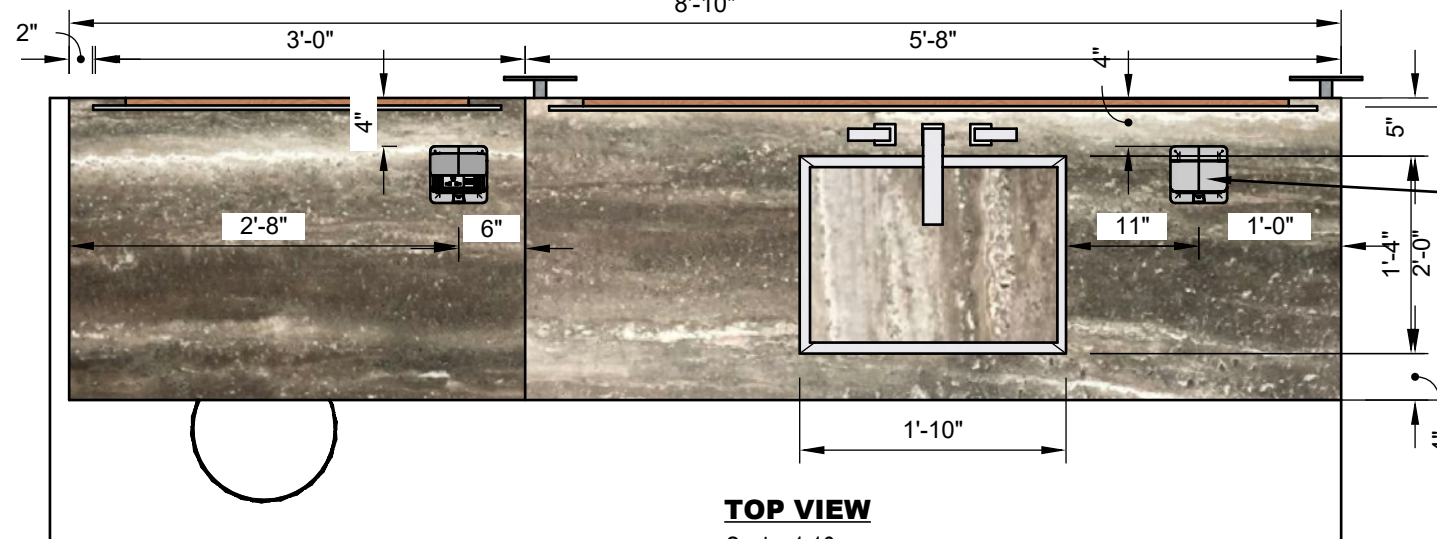


8254 NW SOUTH RIVER DRIVE, MEDLEY, FL 33166  
All rights reserved.



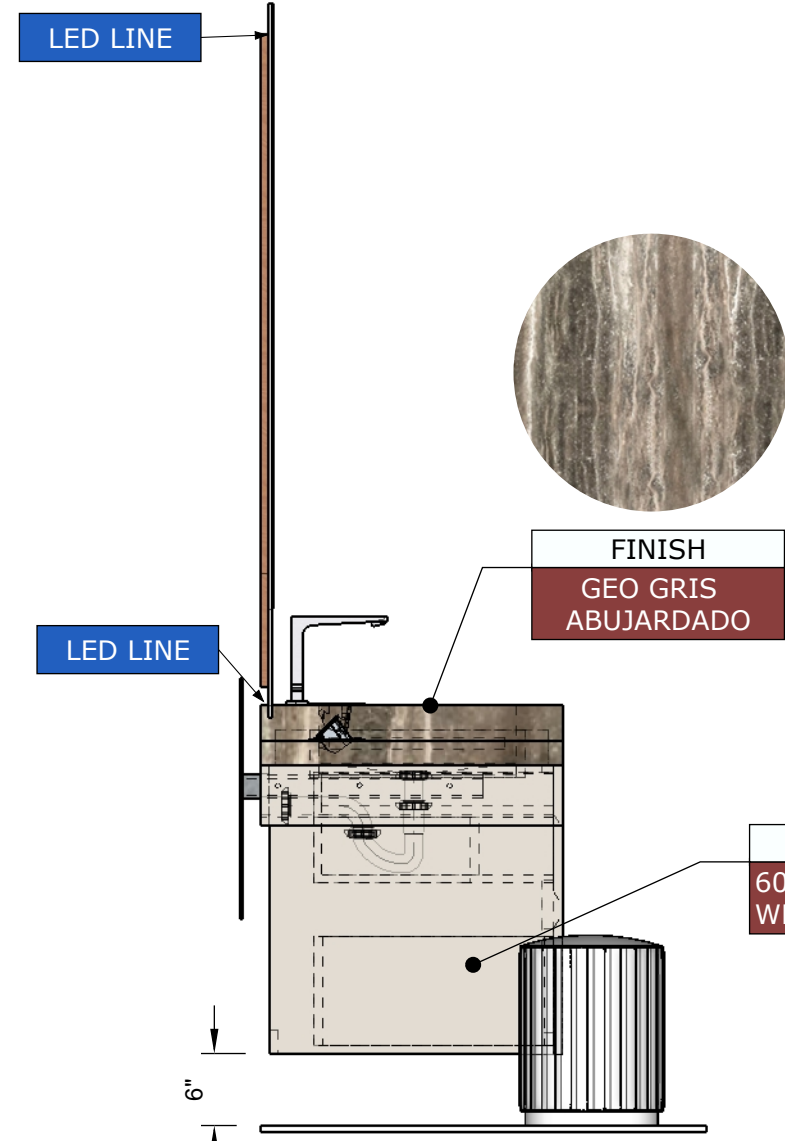
**FRONT VIEW**

Scale 1:16  
8'-10"



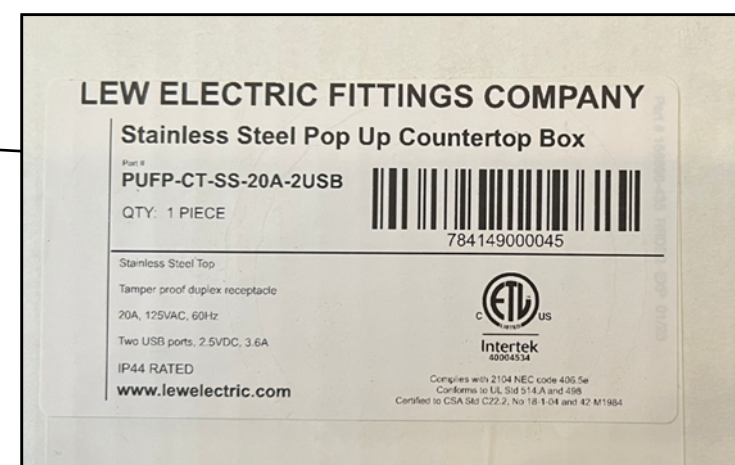
**TOP VIEW**

Scale 1:16



**SIDE VIEW**

Scale 1:16



**PROGRESS DRAWING**

This drawing is not intended to be used for contract pricing or fabrication purposes. All content is subject to change.

DISCARD ALL DRAWINGS THAT WERE MADE ON THIS ITEM PRIOR TO THE DATE BELOW:

**07/28/2022**

**NOTES**

Drawings may not be scaled. The numerical dimensions represent correct measurements. All dimensions are given from finished floor and finished wall unless otherwise noted. All design ideas, drawings and plans represented here are owned by the property of WESTHAVEN CONSTRUCTION SERVICES. All rights reserved. Above suggested electrical and plumbing locations, must be verified in field.



**WESTHAVEN**  
CONSTRUCTION SERVICES, INC.

**CLIENT**  
JOEL & YOLY ALONSO 0000

**ISSUE**  
08/ 18/ 2021  
**RE - ISSUE**  
MM, DD, YY

**DESIGN BY**  
Joel A.  
**DRAWN BY**  
Abel Q.

**DESCRIPTION**  
MASTER BATHROOM VANITIES  
**PAGE NAME**  
HER VANITY

**PROJECT No**  
3701  
**PROJECT NAME**  
MIRAMAR

**PROGRESS DRAWING**

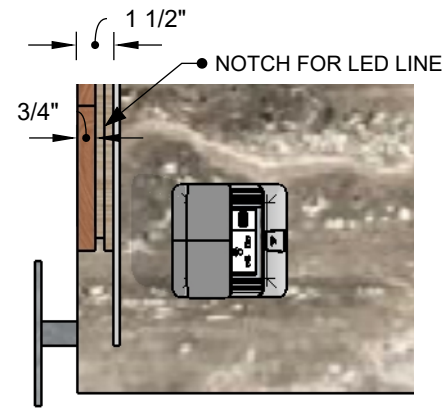
This drawing is not intended to be used for contract pricing or fabrication purposes. All content is subject to change

DISCARD ALL DRAWINGS THAT WERE MADE ON THIS ITEM PRIOR TO THE DATE BELOW:

**07/28/2022**

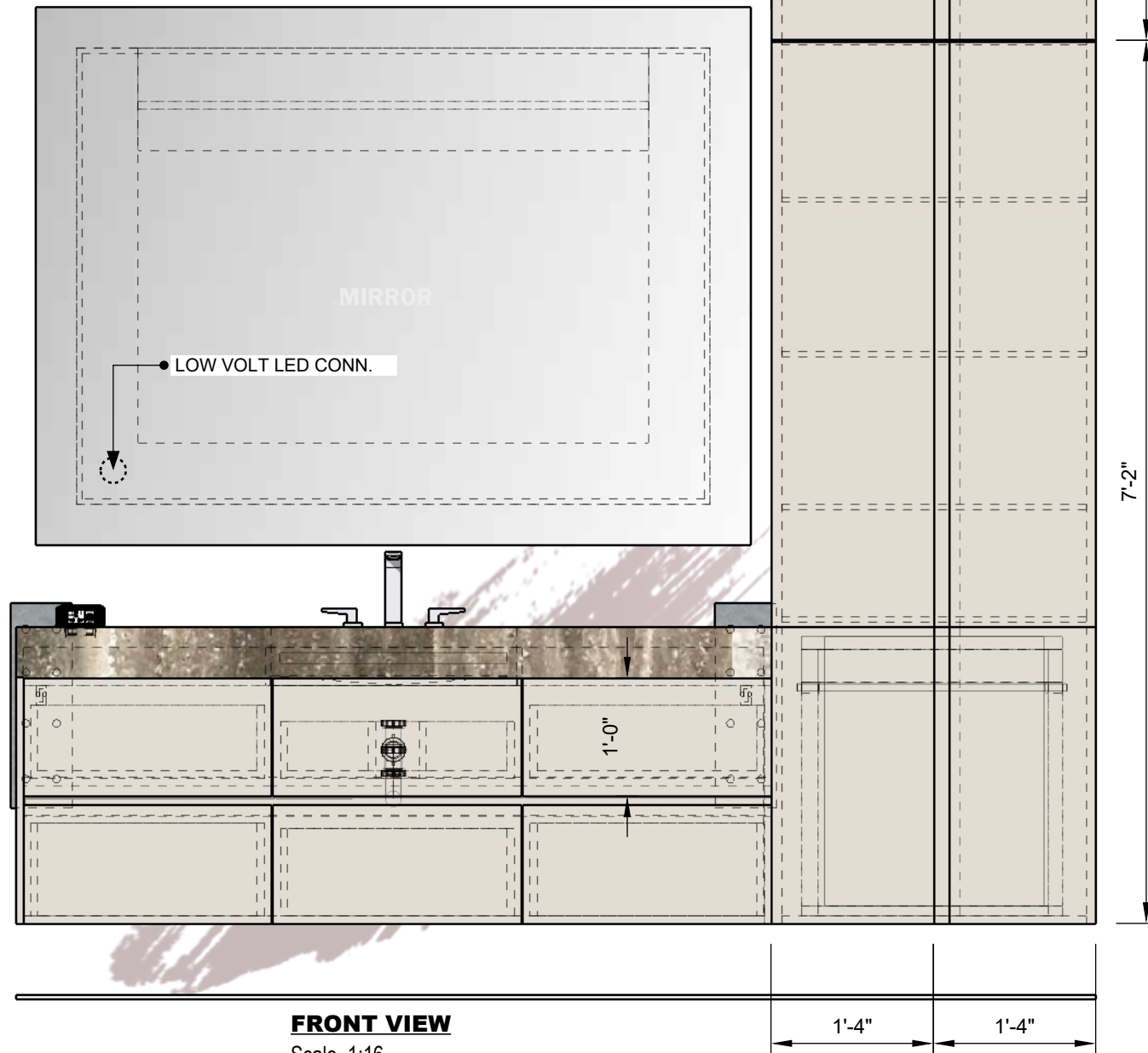
**NOTES**

Drawings may not be scaled. The numerical dimensions represent correct measurements. All dimensions are given from finished floor and finished wall unless otherwise noted. All design ideas, drawings and plans represented here are owned by the property of **WESTHAVEN CONSTRUCTION SERVICES**. All rights reserved. Above suggested electrical and plumbing locations, must be verified in field.



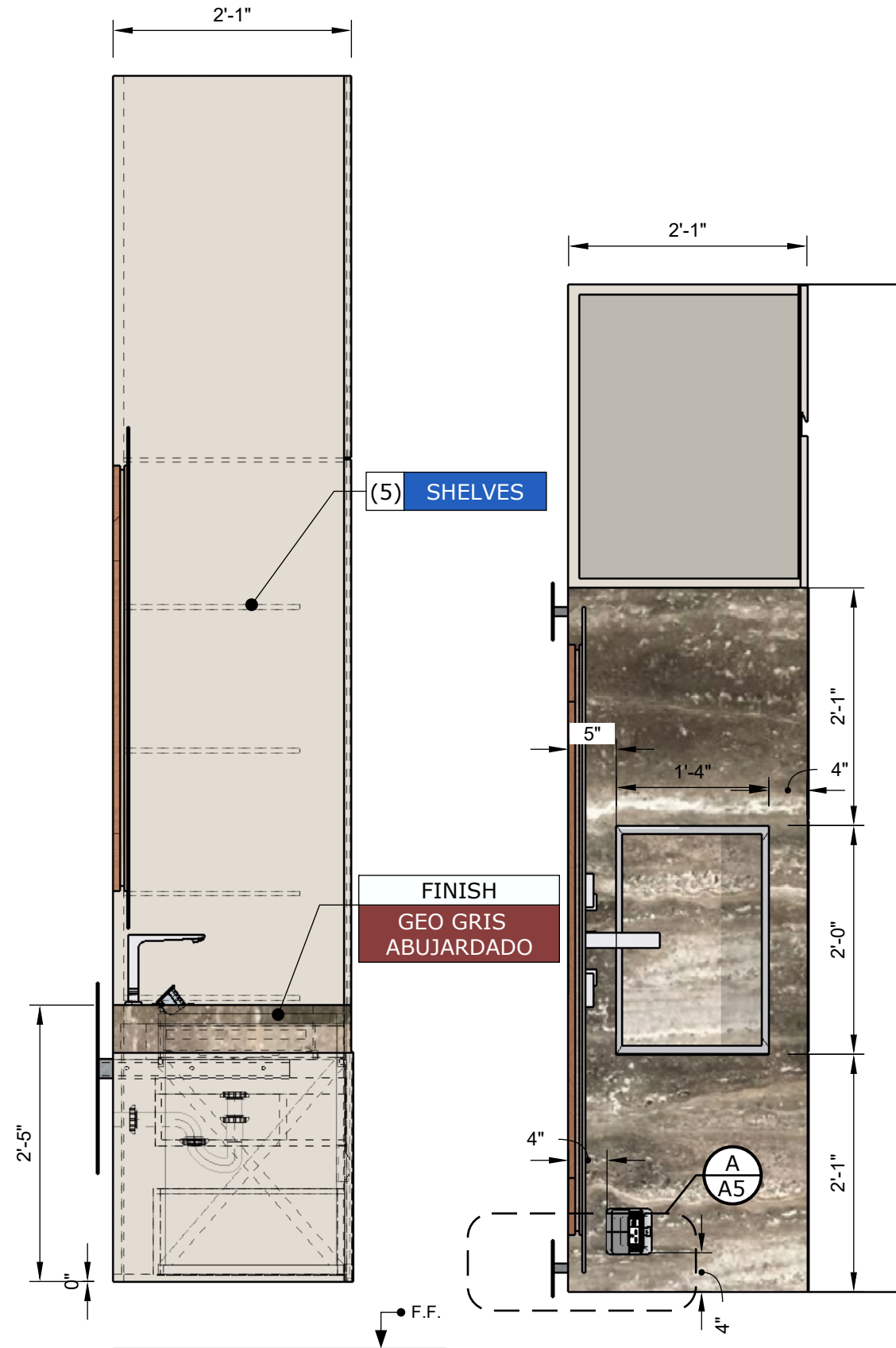
**DETAIL A**

Scale 1:8



**FRONT VIEW**

Scale 1:16



**LEFT SIDE VIEW**

Scale 1:24

**TOP VIEW**

Scale 1:16



**WESTHAVEN**  
CONSTRUCTION SERVICES, INC.

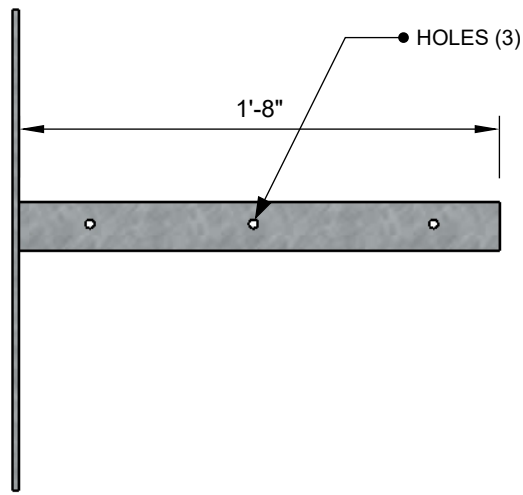
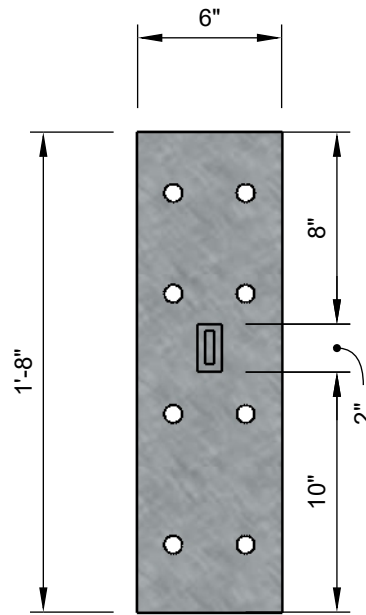
CLIENT  
JOEL & YOLY ALONSO  
0000

ISSUE  
08/ 18/ 2021  
RE - ISSUE  
MM,DD,YY

DESIGN BY  
Joel A.  
DRAWN BY  
Abel Q.

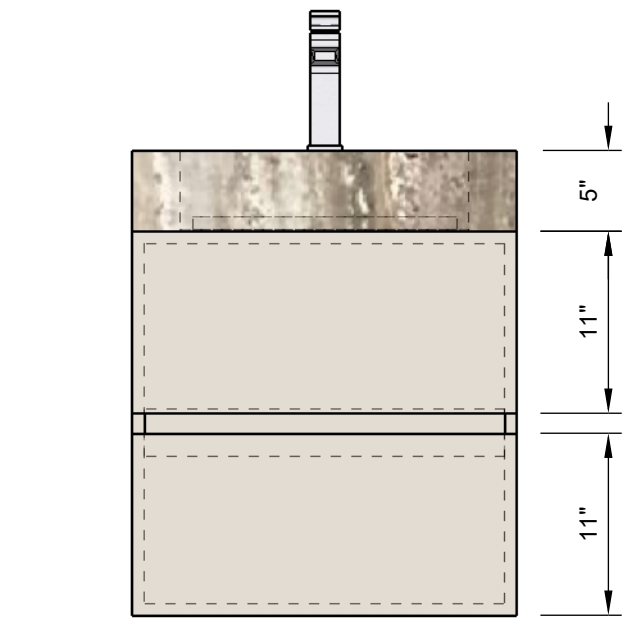
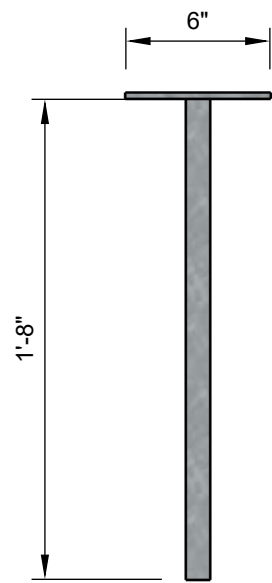
DESCRIPTION  
MASTER BATHROOM  
VANITIES  
PAGE NAME  
HIS VANITY

PROJECT No  
3701  
PROJECT NAME  
MIRAMAR



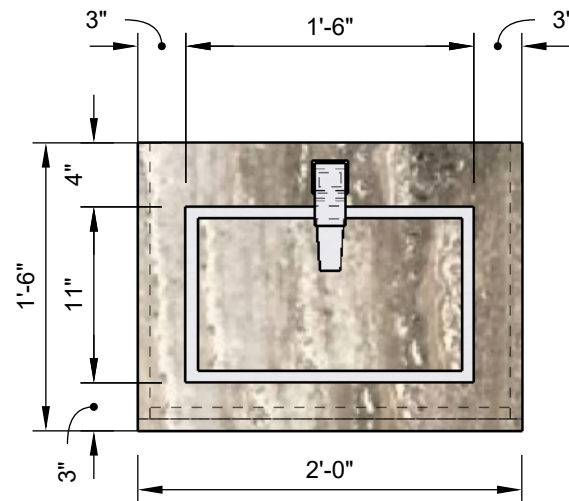
**BRACKETS**

Scale 1:4



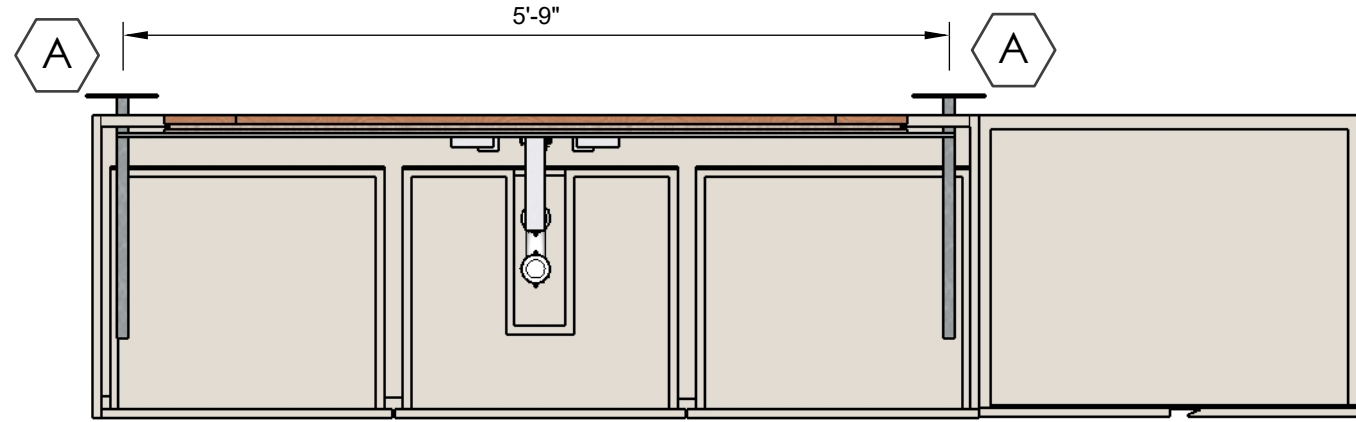
**FRONT VIEW**

Scale 1:12



**TOP VIEW**

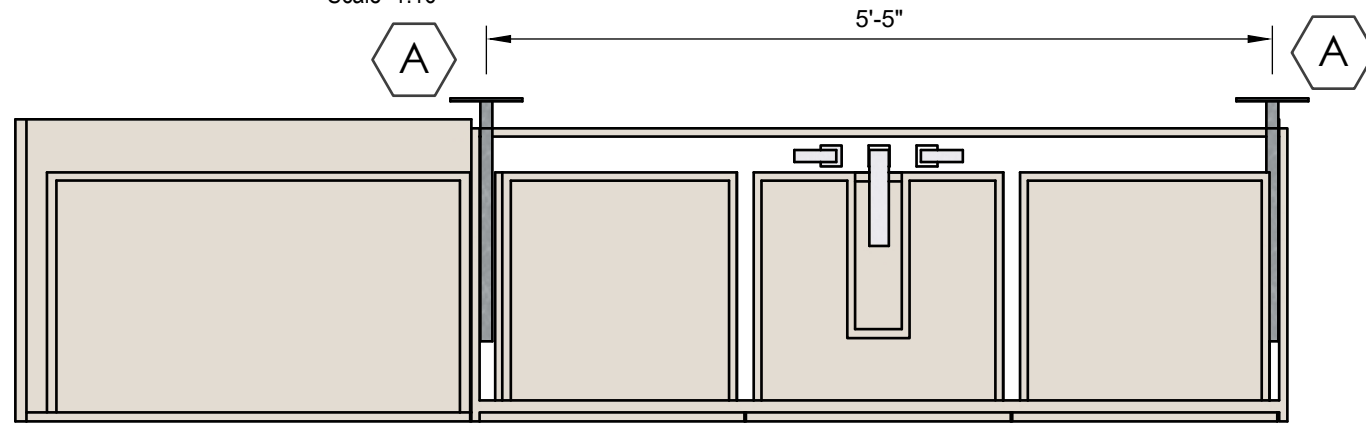
Scale 1:12



(2) REQ'D

**MASTER VANITY HIS BRACKET LOCATIONS**

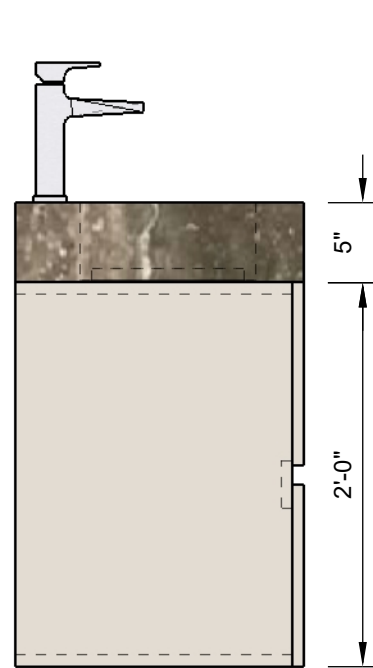
Scale 1:16



(2) REQ'D

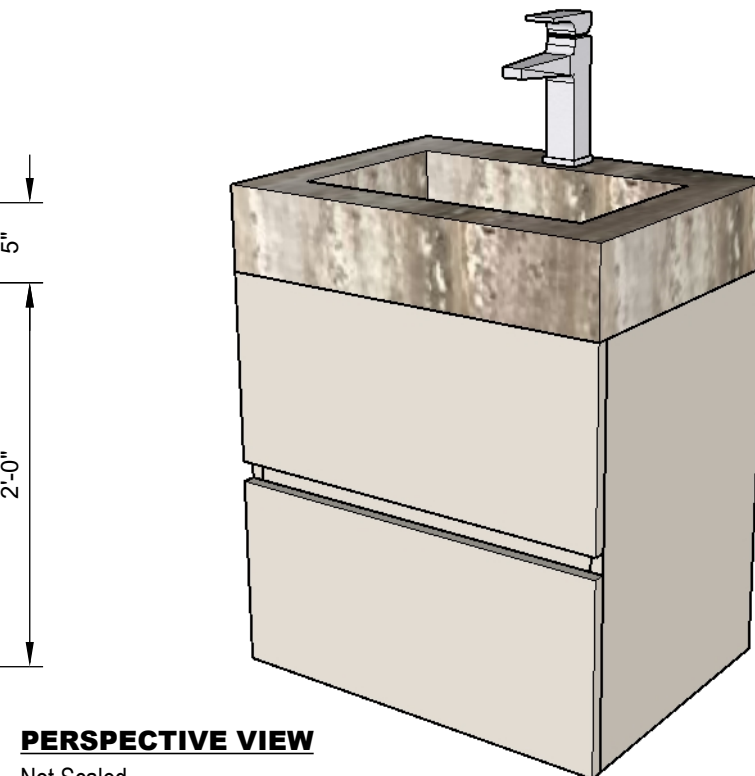
**MASTER VANITY HER'S BRACKET LOCATIONS**

Scale 1:16



**SIDE VIEW**

Scale 1:12



**PERSPECTIVE VIEW**

Not Scaled



**WESTHAVEN**  
CONSTRUCTION SERVICES, INC.

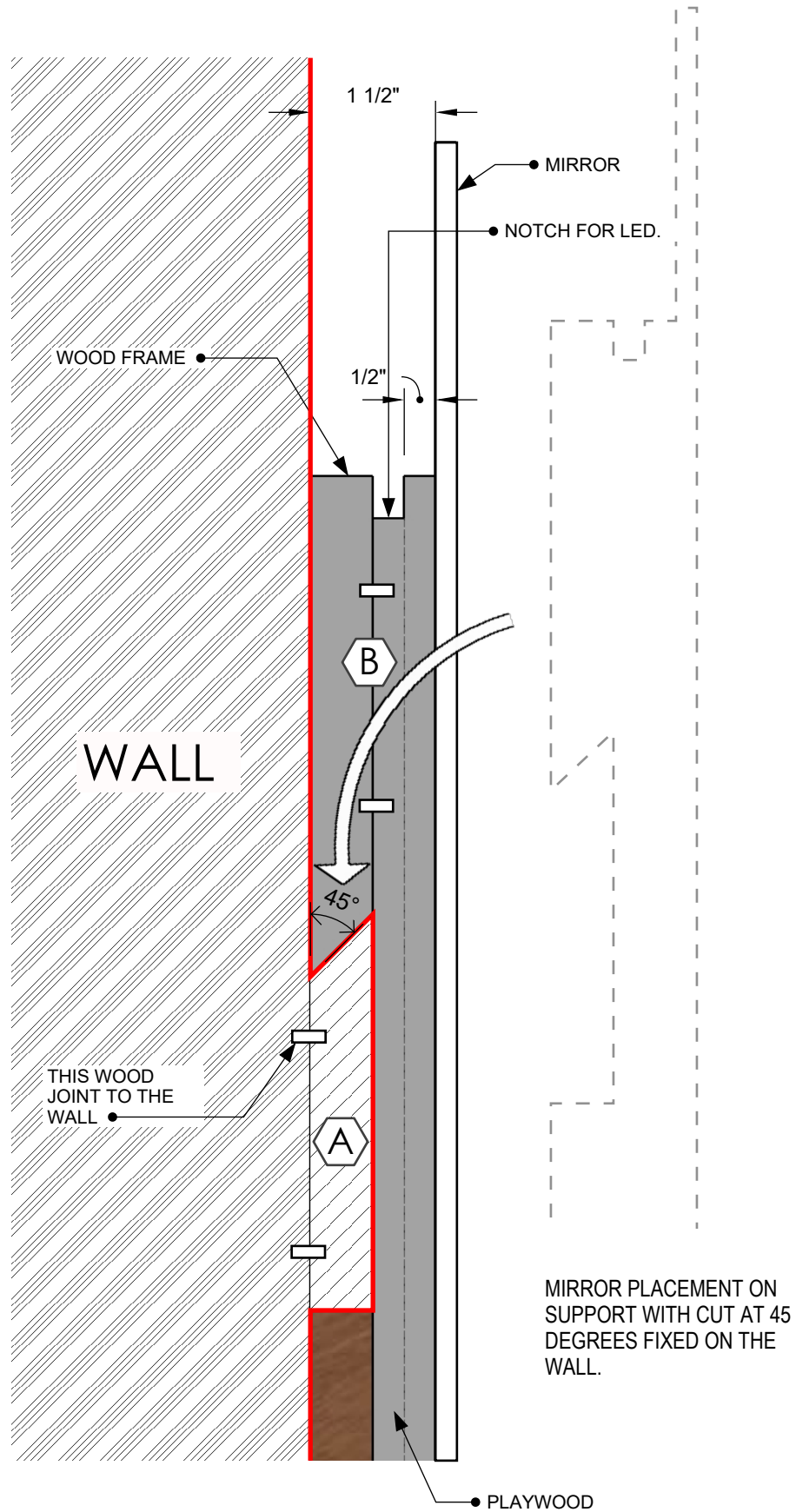
CLIENT  
JOEL & YOLY  
ALONSO  
0000

ISSUE  
08/ 18/ 2021  
RE - ISSUE  
MM, DD, YY

DESIGN BY  
Joel A.  
DRAWN BY  
Abel Q.

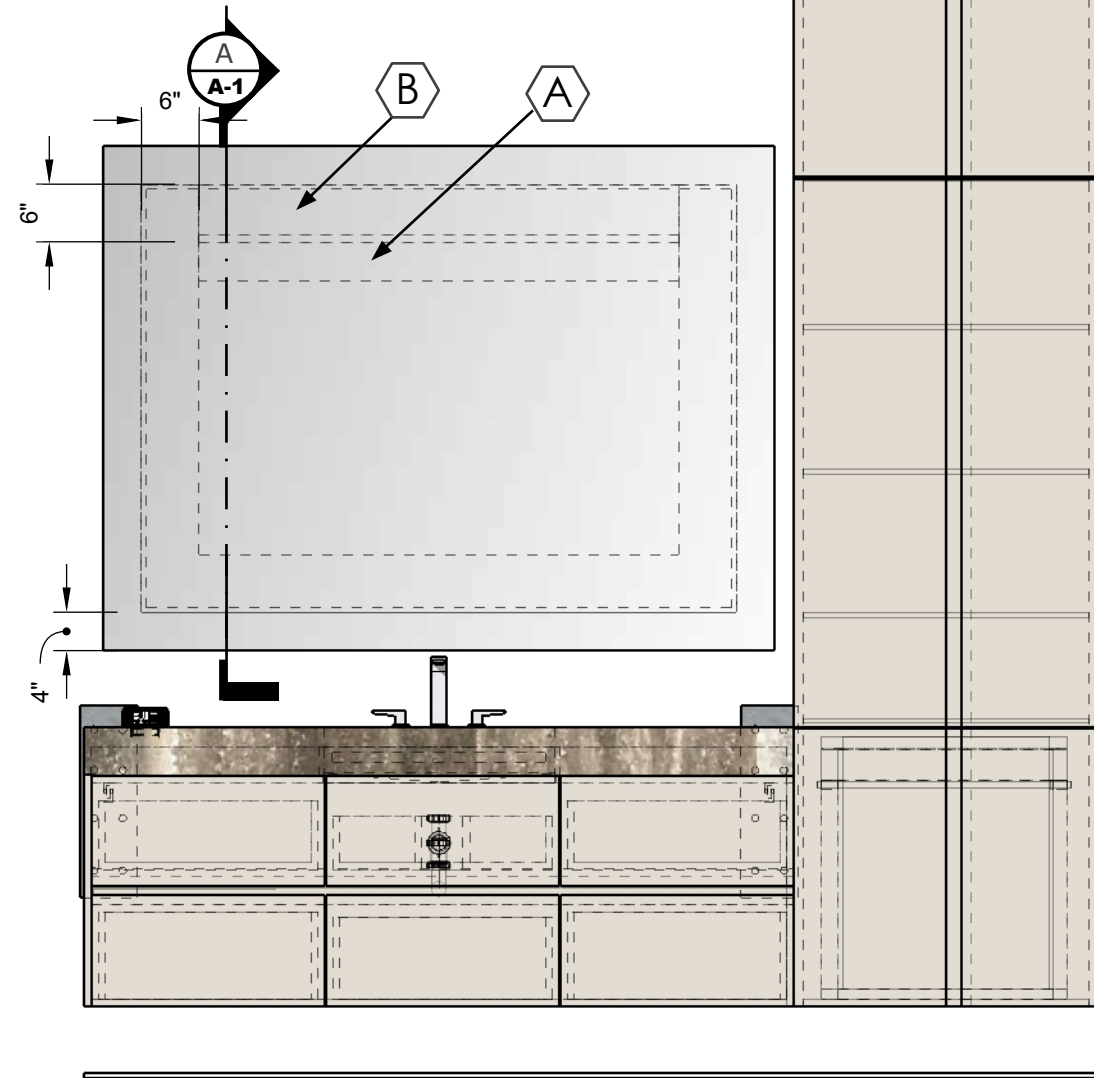
DESCRIPTION  
MASTER BATHROOM  
VANITIES  
PAGE NAME  
BRACKETS & TOILET

PROJECT No  
3701  
PROJECT NAME  
MIRAMAR



**SECTION A**  
Scale 1:00

MIRROR PLACEMENT ON SUPPORT WITH CUT AT 45 DEGREES FIXED ON THE WALL.



**MIRROR BASE SPECS**  
Scale 1:16