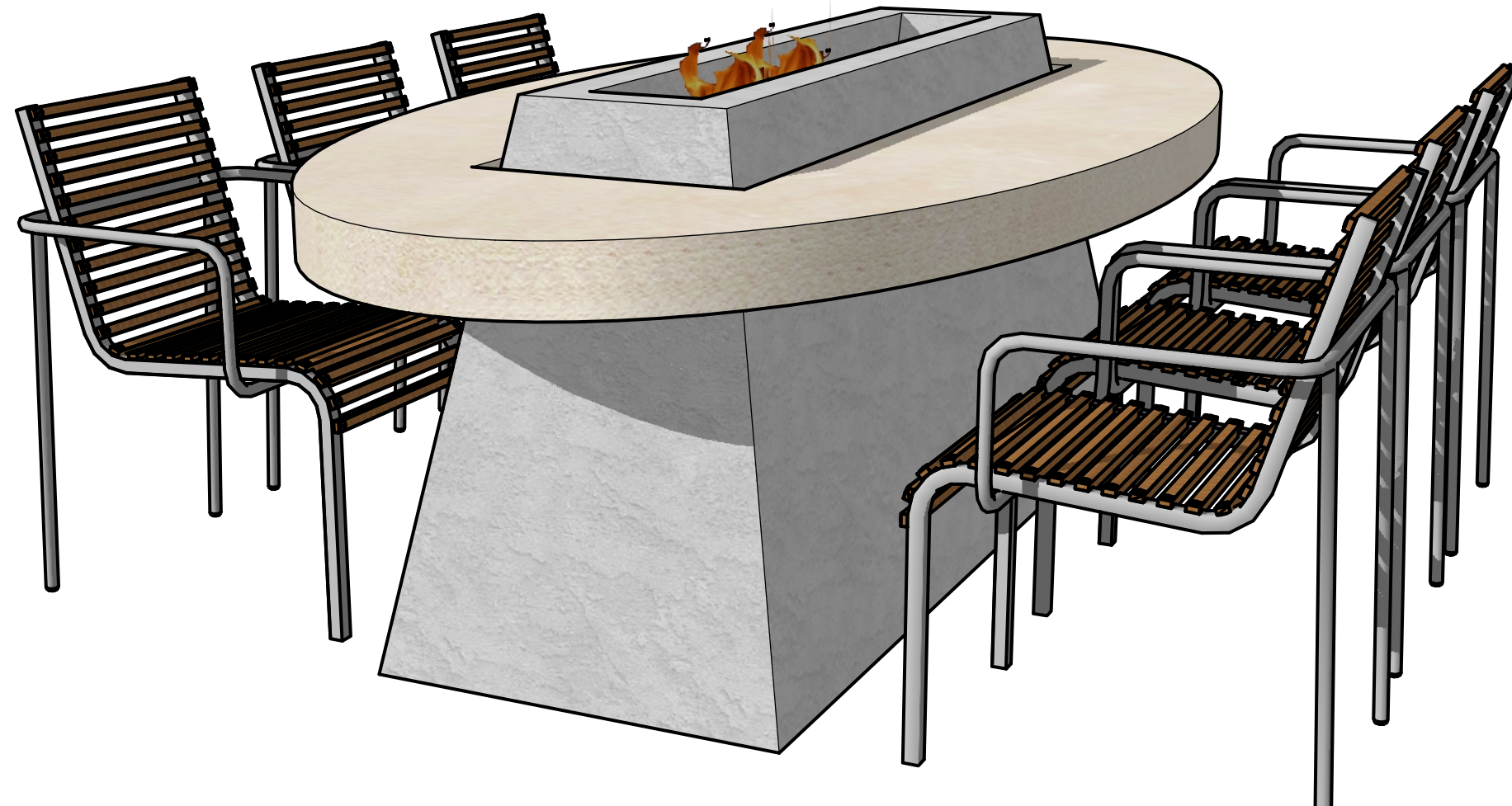


3701

MIRAMAR

OVAL FIRE TABLE



DESIGN CONCEPT

This presentation is not intended to be used for contract pricing or fabrication purposes. All content is subject to change

DISCARD ALL PRESENTATIONS THAT WERE MADE ON THIS ITEM PRIOR TO THE DATE BELOW:

11/29/2022

NOTES

The drawings included in presentations may not be scaled. The numerical dimensions represent correct measurements. All dimensions are given from finished floor and finished wall unless otherwise noted. All design ideas, drawings and plans represented here are owned by the property of **WESTHAVEN CONSTRUCTION SERVICES**. Above suggested electrical and plumbing locations, must be verified in field.

PROJECT

**3701
MIRAMAR**

PAGE NAME

COVER PAGE

DESIGN BY

J. ALONSO

DRAWING BY

A. QUINTERO

CREATED

11/ 29/ 2022

MODIFIED

11/29/2022

CLIENT

JOEL & YOLY ALONSO

ADDRESS

**0000
FI, 33000**



8254 NW SOUTH RIVER DRIVE, MEDLEY, FL 33166

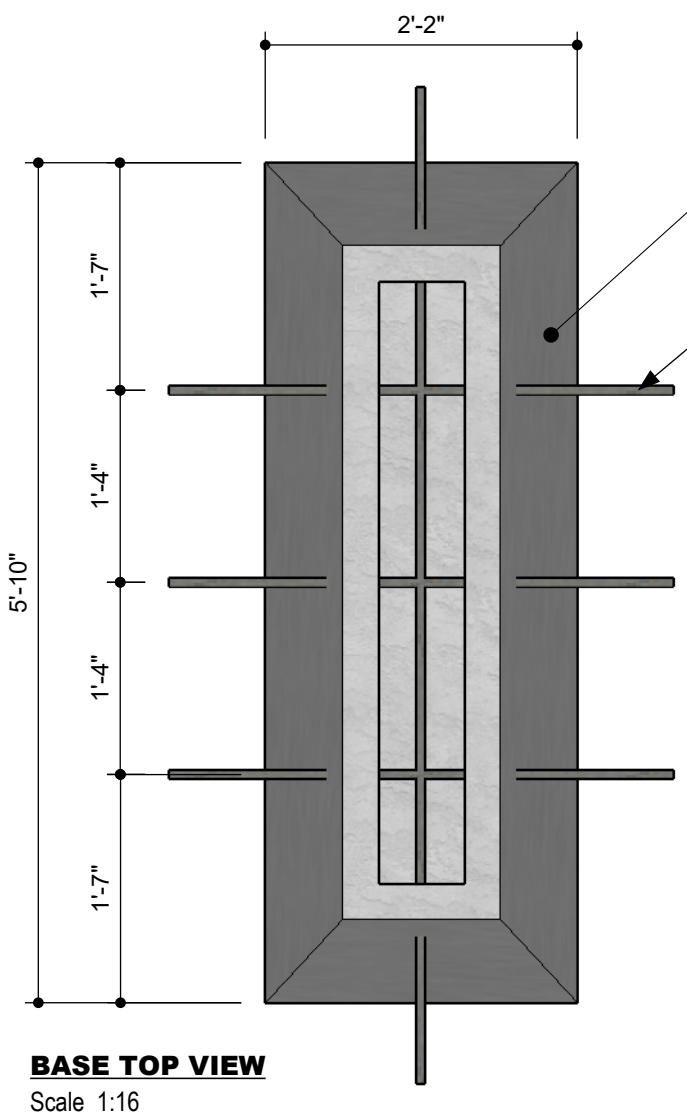
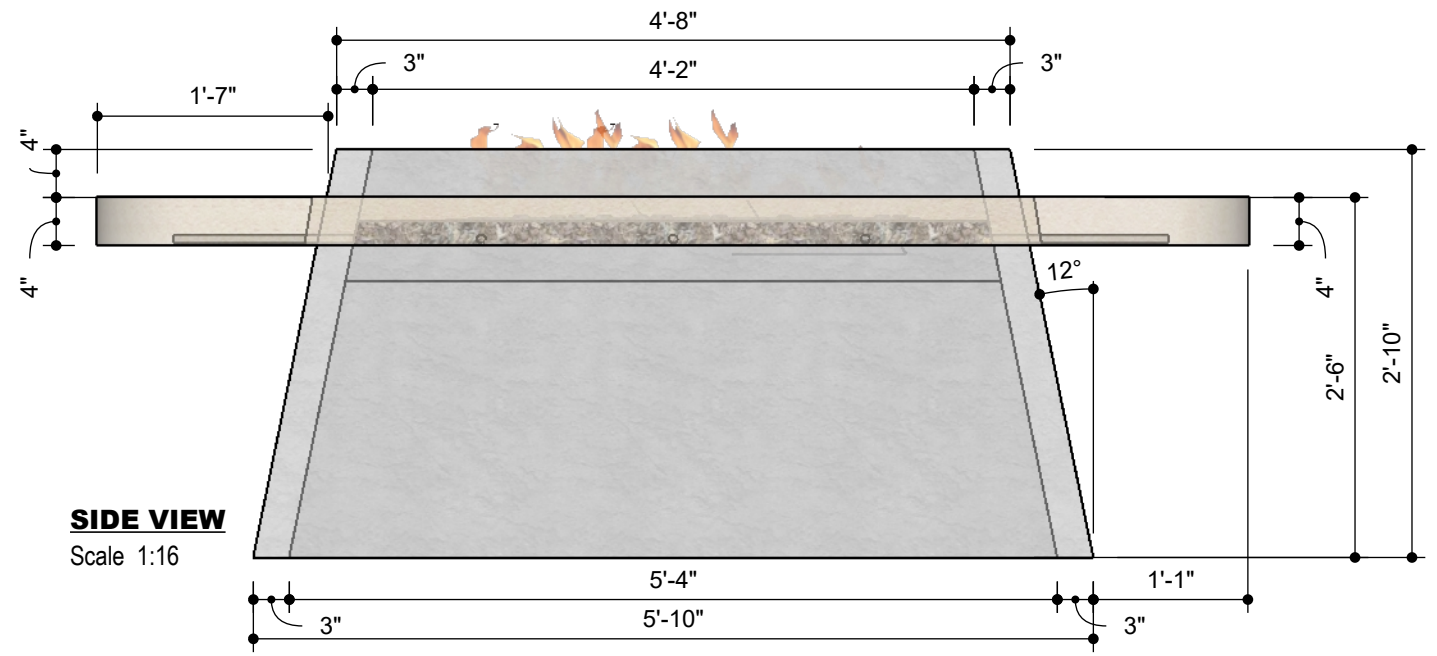
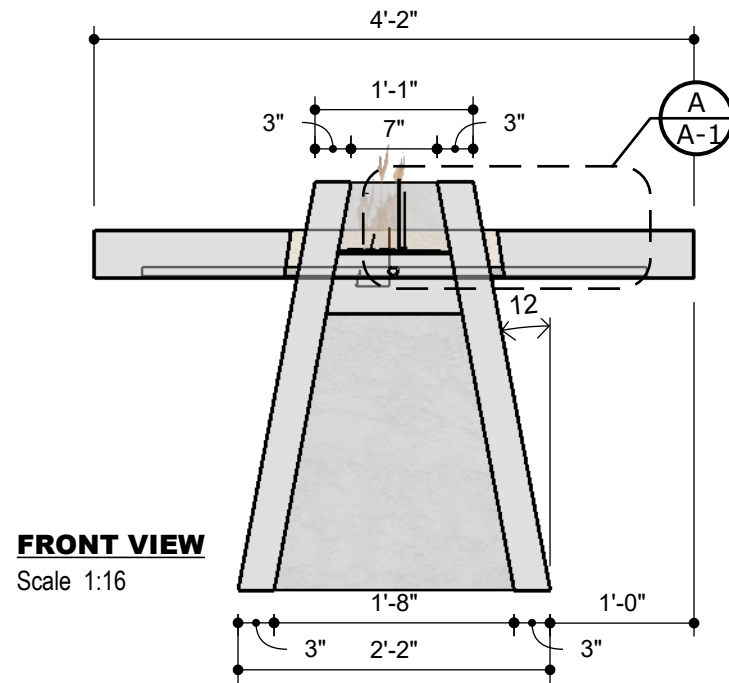


DESIGN CONCEPT

ALL MEASUREMENTS MUST BE VERIFIED IN FIELD
This drawing is not intended to be used for contract pricing or fabrication purposes. All content is subject to change

DISCARD ALL DRAWINGS THAT WERE MADE ON THIS ITEM PRIOR TO THE DATE BELOW:
11/29/2022

NOTES
Drawings may not be scaled. The numerical dimensions represent correct measurements. All dimensions are given from finished floor and finished wall unless otherwise noted. All design ideas, drawings and plans represented here are owned by the property of **WESTHAVEN CONSTRUCTION SERVICES**. All rights reserved. Above suggested electrical and plumbing locations, must be verified in field.



FINISH	SELLER
CONCRETE	
Item No:	

STEEL BARS

