

3507 CONTINUUM SOUTH

VANITY No 1



PLANS PAGE A-01

PROGRESS DRAWING

This presentation is not intended to be used for contract pricing or fabrication purposes. All content is subject to change.

DISCARD ALL PRESENTATIONS THAT WERE MADE ON THIS ITEM PRIOR TO THE DATE BELOW:

07/27/2022

NOTES

The drawings included in presentations may not be scaled. The numerical dimensions represent correct measurements. All dimensions are given from finished floor and finished wall unless otherwise noted. All design ideas, drawings and plans represented here are owned by the property of **WESTHAVEN CONSTRUCTION SERVICES**. Above suggested electrical and plumbing locations, must be verified in field.

PROJECT

**3507
CONTINUUM SOUTH**

PAGE NAME

LOCATION

DESIGN BY

J. ALONSO

DRAWING BY

A. QUINTERO

CREATED

04/ 21/ 2022

MODIFIED

07/27/2022

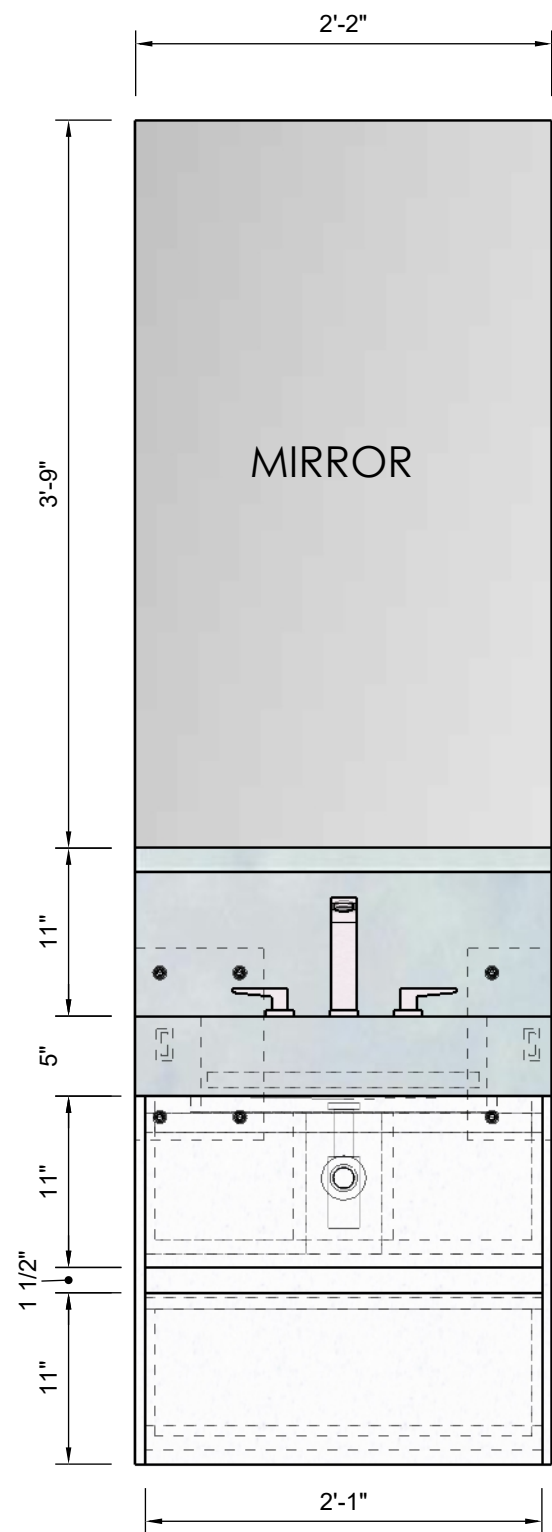
CLIENT

JOHN NELSON

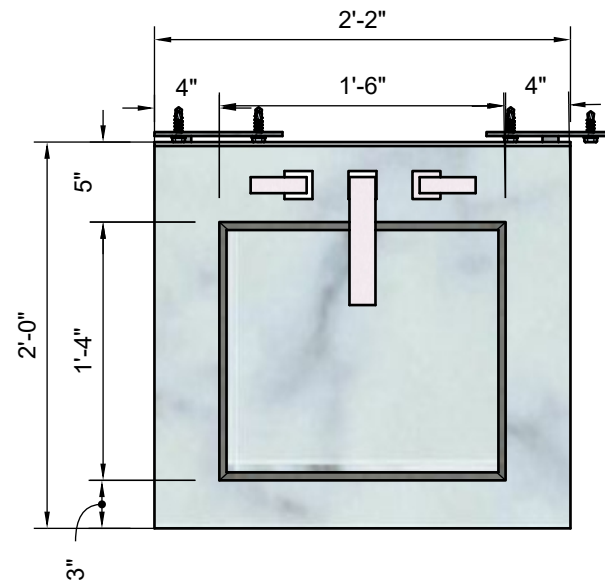
ADDRESS

**0000
FI, 33000**

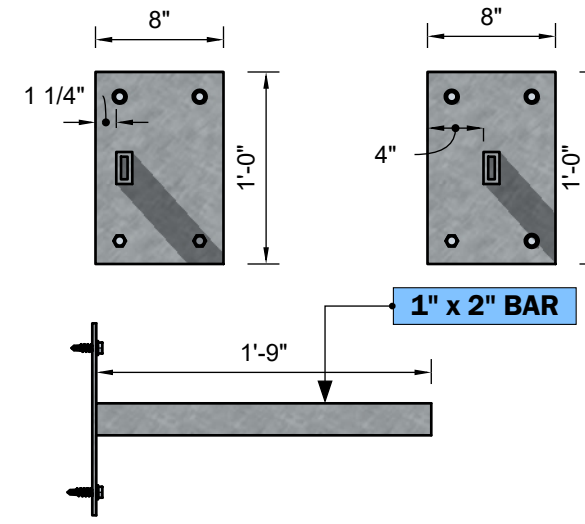




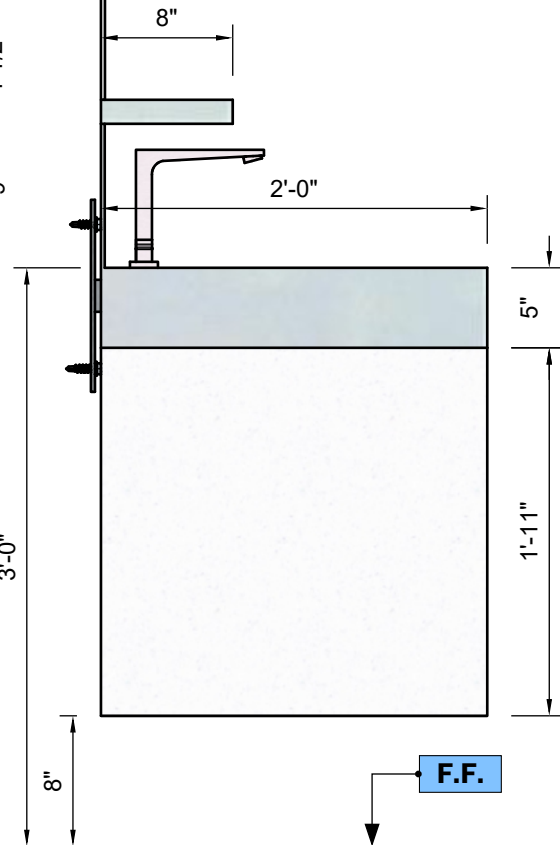
FRONT VIEW
Scale 1:16



TOP VIEW
Scale 1:16



BRACKETS (2) REQ'D
Scale 1:16



SIDE VIEW
Scale 1:16

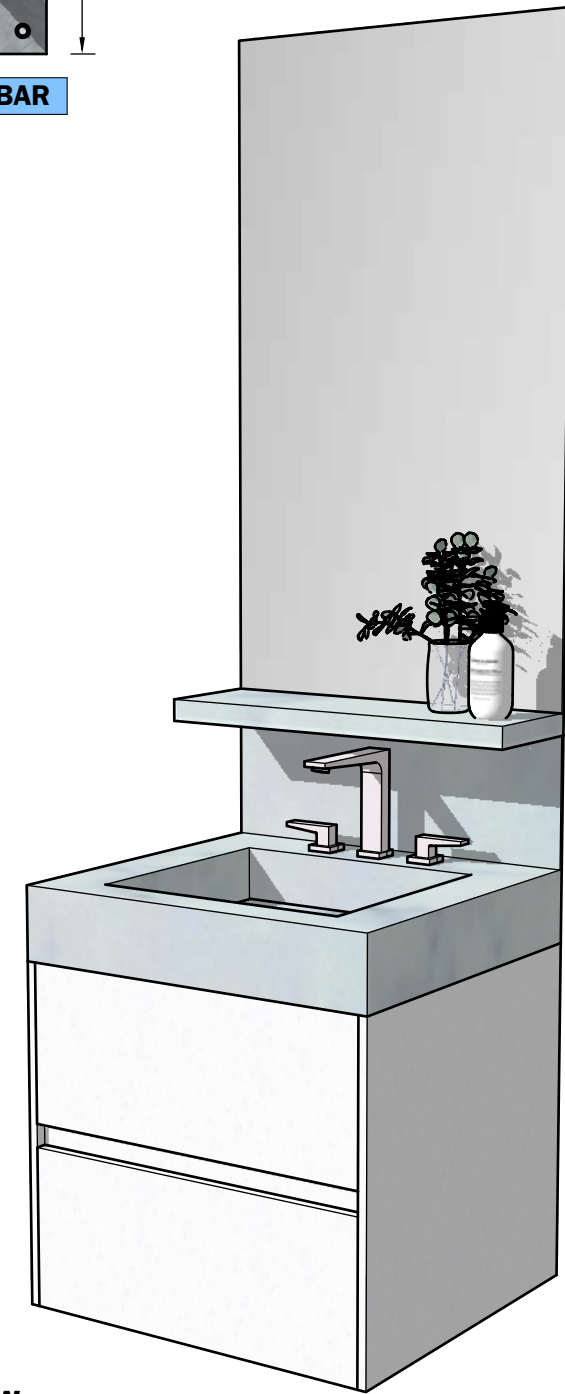
PROGRESS DRAWING

ALL MEASUREMENTS MUST BE VERIFIED IN FIELD
This drawing is not intended to be used for contract pricing or fabrication purposes. All content is subject to change.

DISCARD ALL DRAWINGS THAT WERE MADE ON THIS ITEM PRIOR TO THE DATE BELOW:

07/27/2022

NOTES
Drawings may not be scaled. The numerical dimensions represent correct measurements. All dimensions are given from finished floor and finished wall unless otherwise noted. All design ideas, drawings and plans represented here are owned by the property of **WESTHAVEN CONSTRUCTION SERVICES.** All rights reserved. Above suggested electrical and plumbing locations, must be verified in field.



PERSPECTIVE VIEW
Not Scaled

