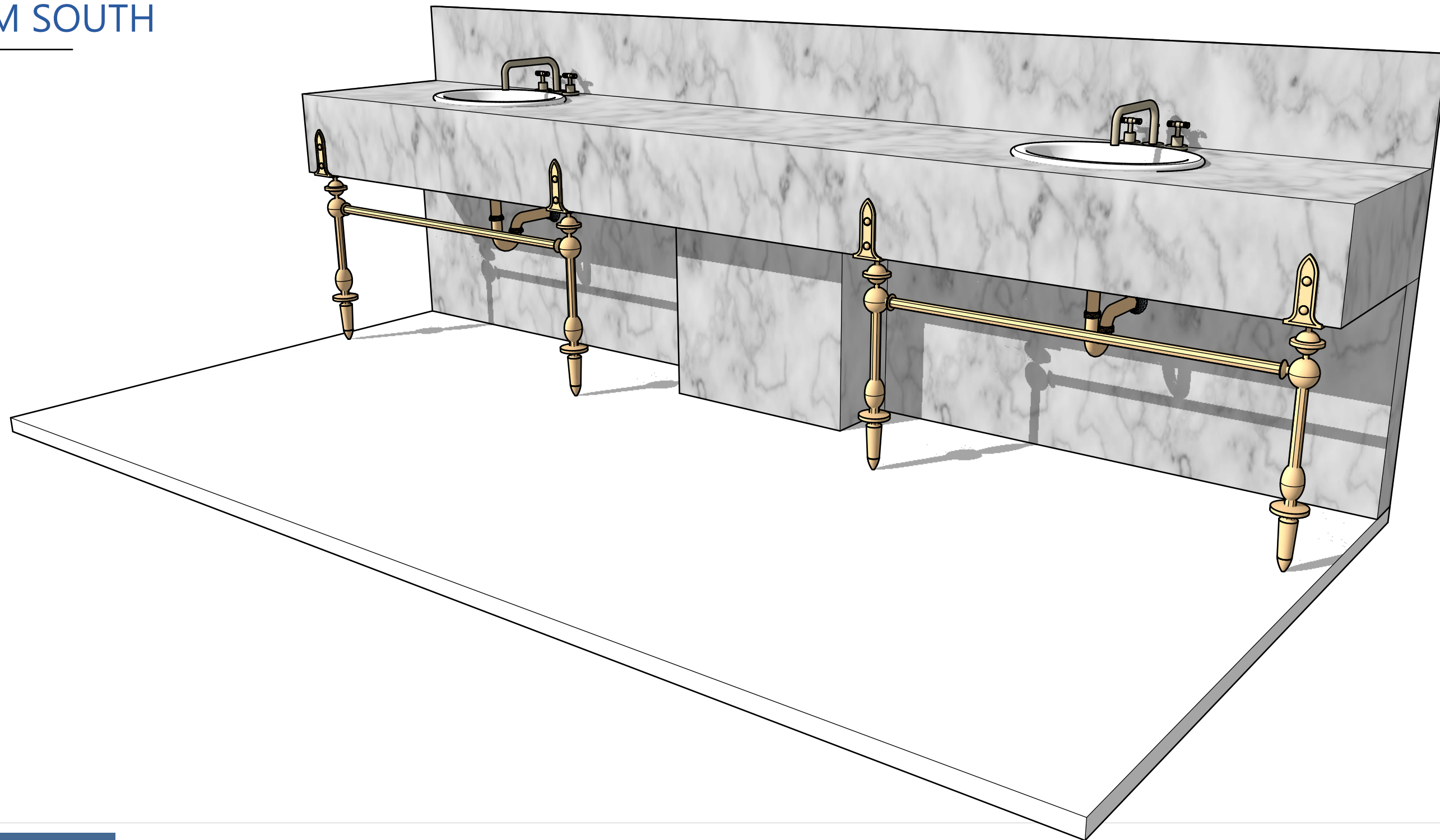


1908-09 CONTINUUM SOUTH

VANITY LEGS



PROGRESS DRAWING

This presentation is not intended to be used for contract pricing or fabrication purposes. All content is subject to change.

DISCARD ALL PRESENTATIONS THAT WERE MADE ON THIS ITEM PRIOR TO THE DATE BELOW:

10/3/2022

NOTES

The drawings included in presentations may not be scaled. The numerical dimensions represent correct measurements. All dimensions are given from finished floor and finished wall unless otherwise noted. All design ideas, drawings and plans represented here are owned by the property of **WESTHAVEN CONSTRUCTION SERVICES**. Above suggested electrical and plumbing locations, must be verified in field.

PROJECT

**1908-09
CONTINUUM SOUTH**

PAGE NAME

Cover Page

DESIGN BY

J. ALONSO

DRAWING BY

A. QUINTERO

CREATED

01/ 12/ 2022

MODIFIED

10/3/2022

CLIENT

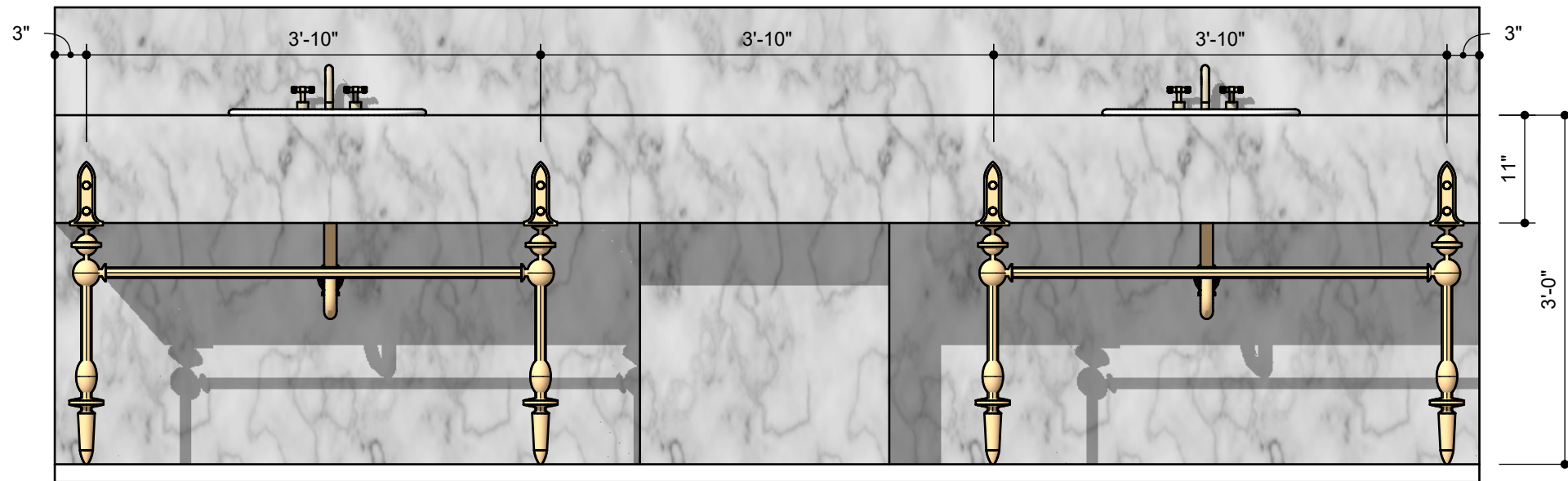
HERTRICH

ADDRESS

0000
FI, 33000

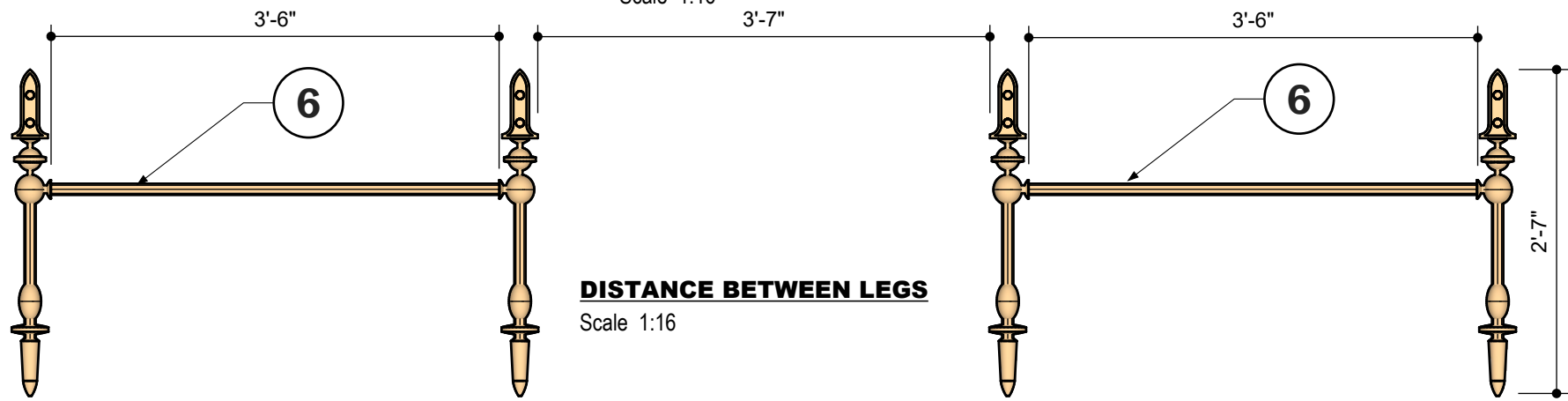


8254 NW SOUTH RIVER DRIVE, MEDLEY, FL 33166
All rights reserved.



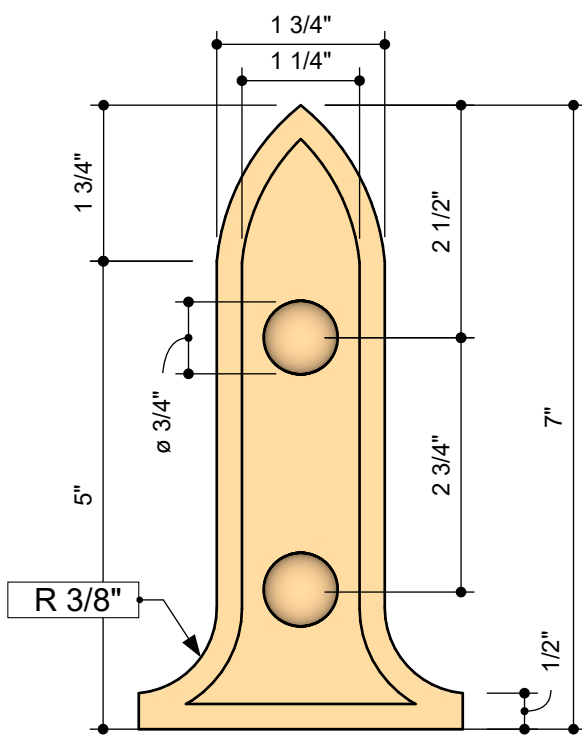
VANITY FRONT VIEW

Scale 1:16



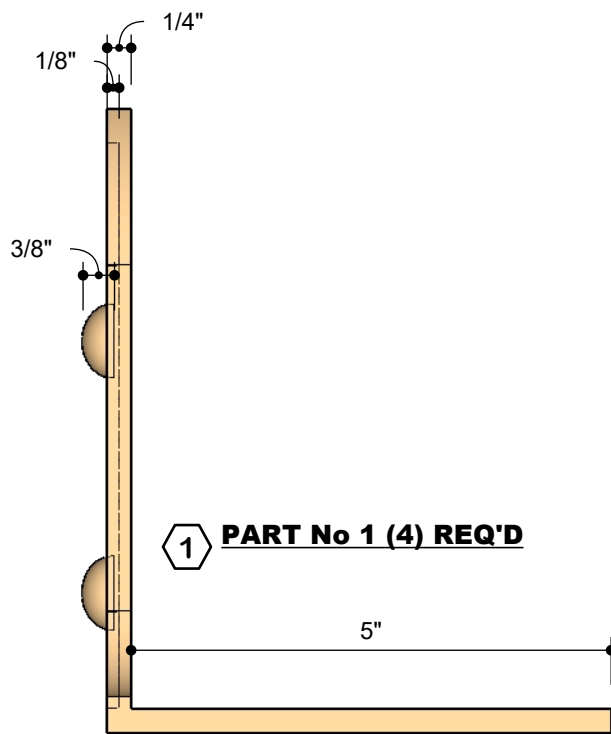
DISTANCE BETWEEN LEGS

Scale 1:16



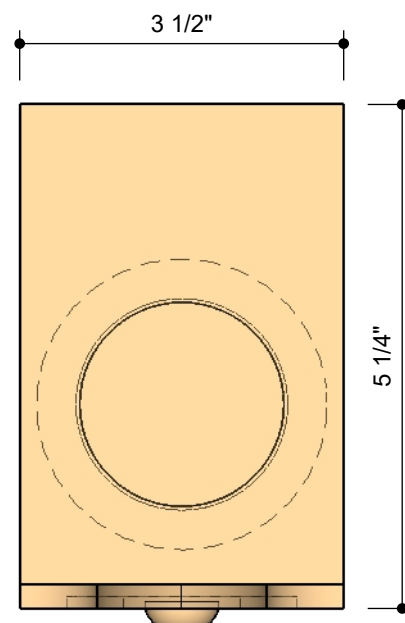
FRONT VIEW

Scale 1:2



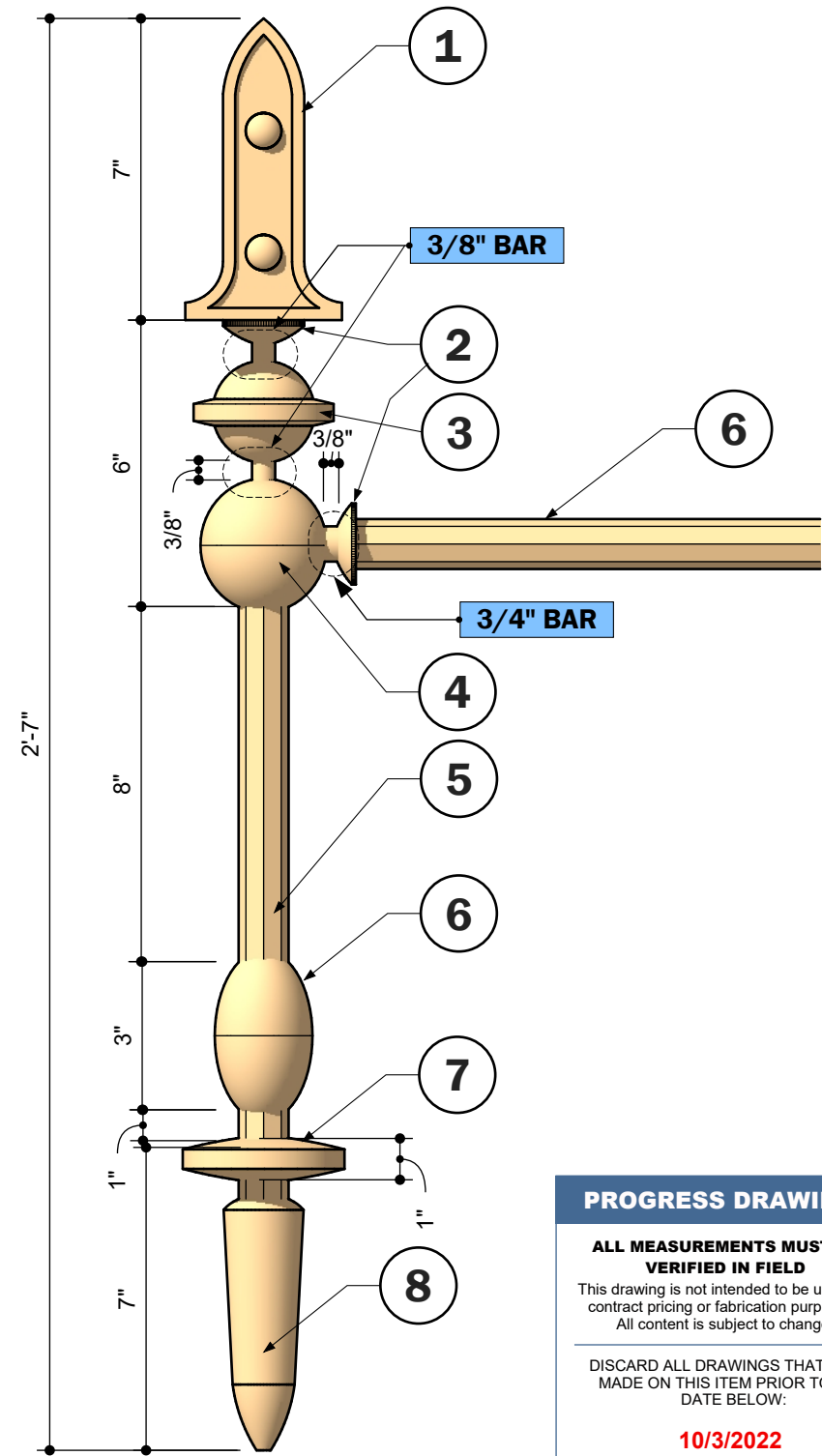
SIDE VIEW

Scale 1:2



TOP VIEW

Scale 1:2



SINGLE LEG FRONT VIEW

Scale 1:4

PROGRESS DRAWING

ALL MEASUREMENTS MUST BE VERIFIED IN FIELD

This drawing is not intended to be used for contract pricing or fabrication purposes. All content is subject to change.

DISCARD ALL DRAWINGS THAT WERE MADE ON THIS ITEM PRIOR TO THE DATE BELOW:

10/3/2022

NOTES

Drawings may not be scaled. The numerical dimensions represent correct measurements. All dimensions are given from finished floor and finished wall unless otherwise noted. All design ideas, drawings and plans represented here are owned by the property of WESTHAVEN CONSTRUCTION SERVICES. All rights reserved. Above suggested electrical and plumbing locations, must be verified in field.



WESTHAVEN
CONSTRUCTION SERVICES, INC.

CLIENT
HERTRICH
0000
FL, 33000

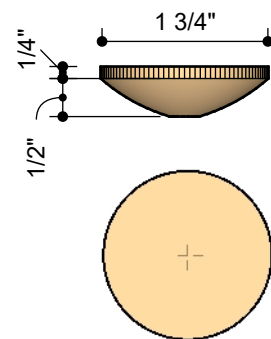
ISSUE
01/12/2022
RE - ISSUE
MM,DD,YY

DESIGN BY
Joel A.
DRAWN BY
Abel Q.

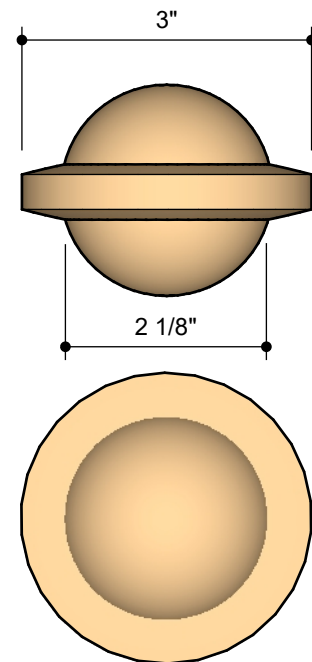
DESCRIPTION
VANITY LEGS
PAGE NAME
PLANS

PROJECT No
1908-09
PROJECT NAME
CONTINUUM SOUTH

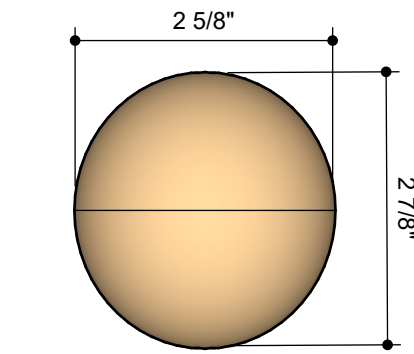
A-01



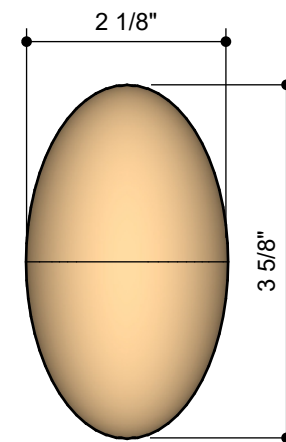
2 PART No 2 (8) REQ'D
Scale 1:2



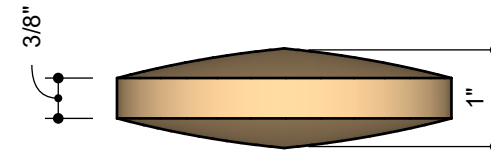
3 PART No 3 (4) REQ'D
Scale 1:2



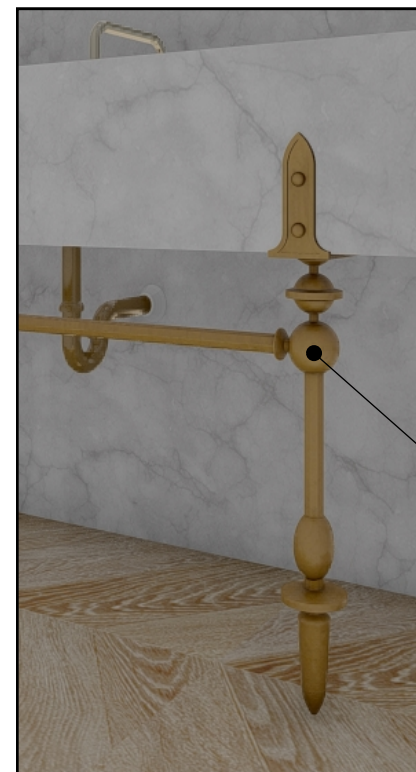
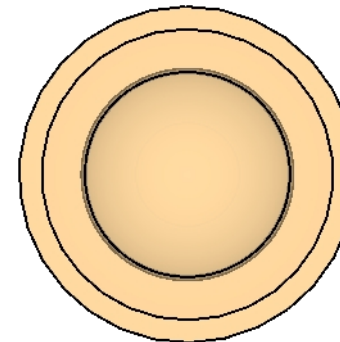
4 PART No 4 (4) REQ'D
Scale 1:2



6 PART No 6 (4) REQ'D
Scale 1:2



7 PART No 7 (4) REQ'D
Scale 1:2

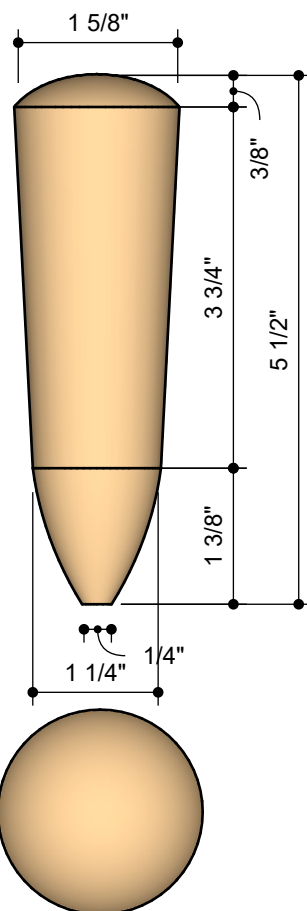


INSPIRATION

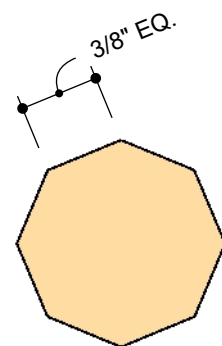
Provided by Designer

FINISH

UNLACQUERED BRASS



8 PART No 8 (4) REQ'D
Scale 1:2



5 PARTS No 5 & 6
Scale 1:2

PART No 5 (4) REQ'D / 8" LONG

PART No 6 (2) REQ'D / 3'- 6 " LONG

PROGRESS DRAWING

ALL MEASUREMENTS MUST BE VERIFIED IN FIELD

This drawing is not intended to be used for contract pricing or fabrication purposes. All content is subject to change

DISCARD ALL DRAWINGS THAT WERE MADE ON THIS ITEM PRIOR TO THE DATE BELOW:

10/3/2022

NOTES

Drawings may not be scaled. The numerical dimensions represent correct measurements. All dimensions are given from finished floor and finished wall unless otherwise noted. All design ideas, drawings and plans represented here are owned by the property of WESTHAVEN CONSTRUCTION SERVICES. All rights reserved. Above suggested electrical and plumbing locations, must be verified in field.