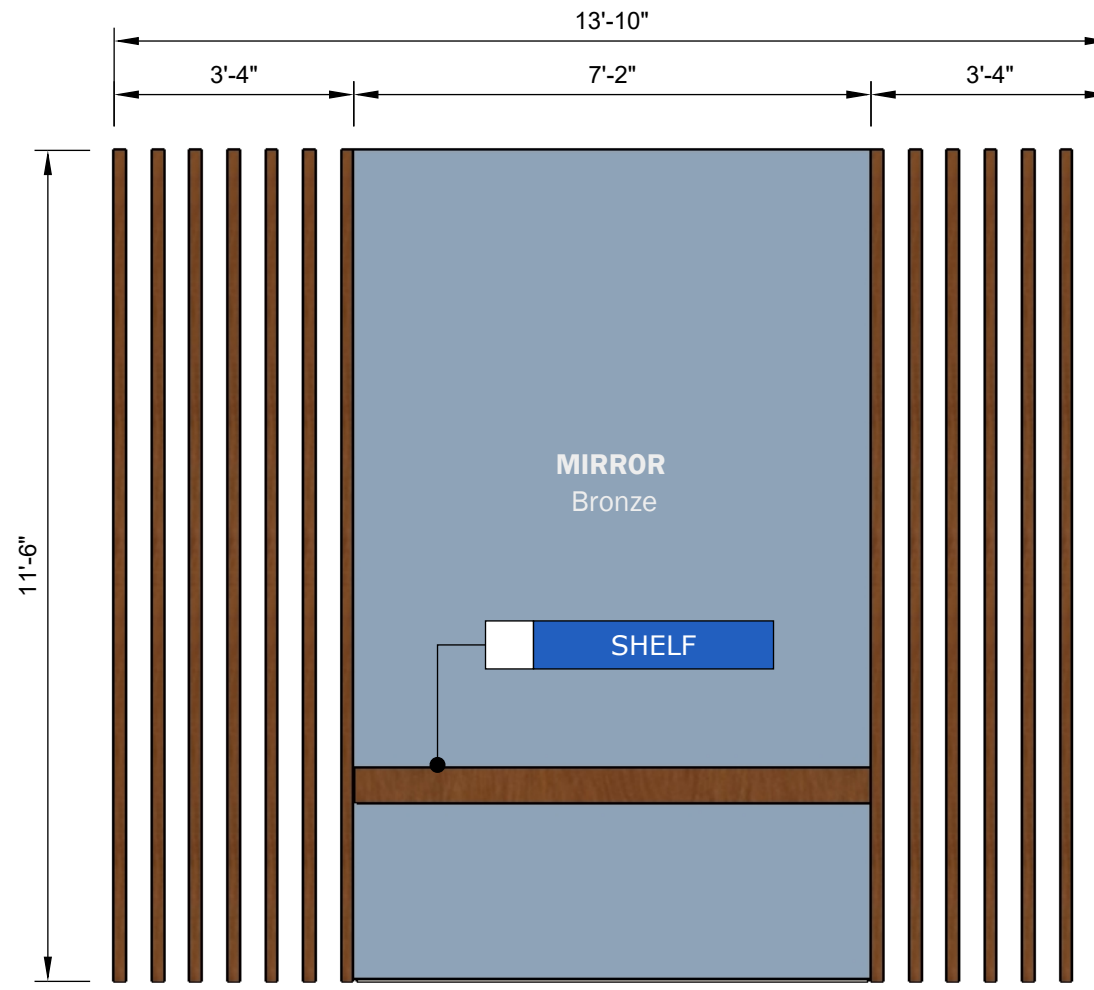


← **MAIN DOOR**
FRONT VIEW (1)
 Scale 1:32



FRONT VIEW (2)
 Scale 1:32
 → **MAIN DOOR**

PROGRESS DRAWING

ALL MEASUREMENTS MUST BE VERIFIED IN FIELD

This drawing is not intended to be used for contract pricing or fabrication purposes. All content is subject to change.

DISCARD ALL DRAWINGS THAT WERE MADE ON THIS ITEM PRIOR TO THE DATE BELOW:

08/31/2022

NOTES

Drawings may not be scaled. The numerical dimensions represent correct measurements. All dimensions are given from finished floor and finished wall unless otherwise noted.

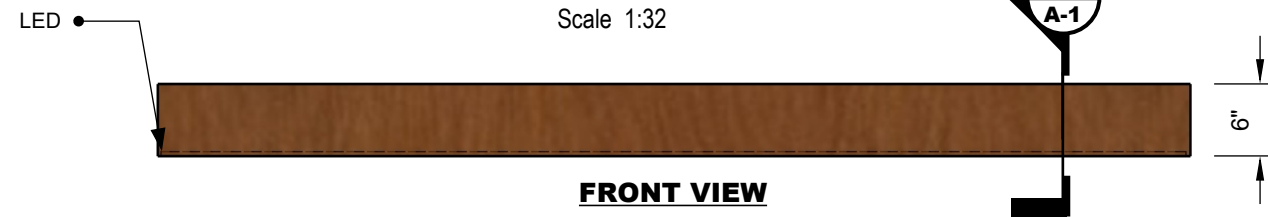
All design ideas, drawings and plans represented here are owned by the property of **WESTHAVEN CONSTRUCTION SERVICES**. All rights reserved.

Above suggested electrical and plumbing locations, must be verified in field.

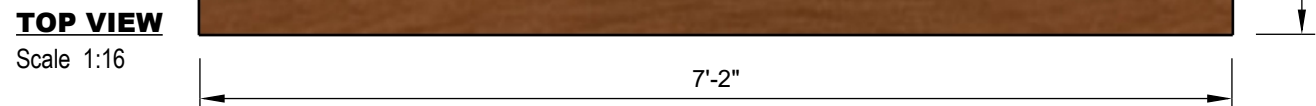


LOUVERS (29) PIECES

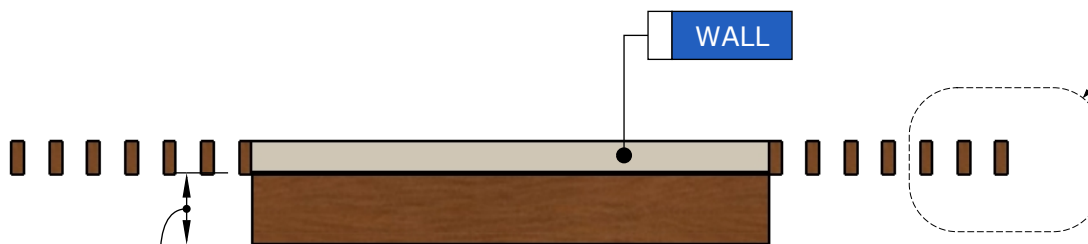
TOP VIEW
 Scale 1:32



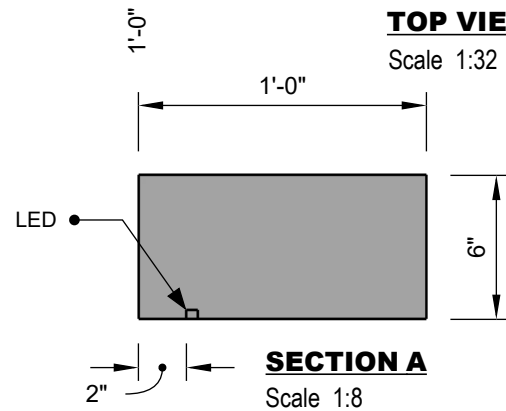
FRONT VIEW
 Scale 1:16



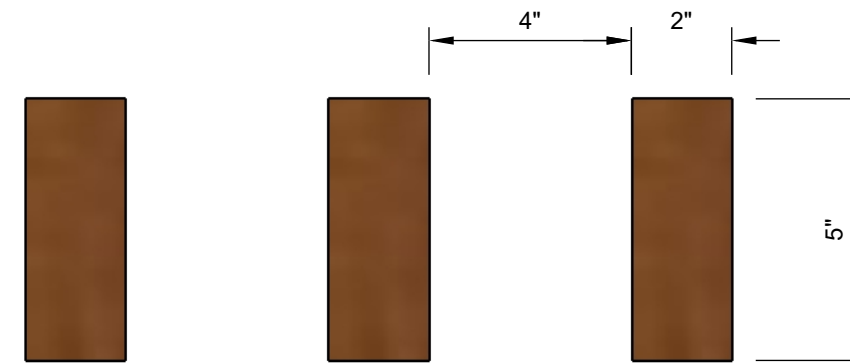
TOP VIEW
 Scale 1:16



TOP VIEW
 Scale 1:32



SECTION A
 Scale 1:8



DETAIL 1
 Scale 1:4