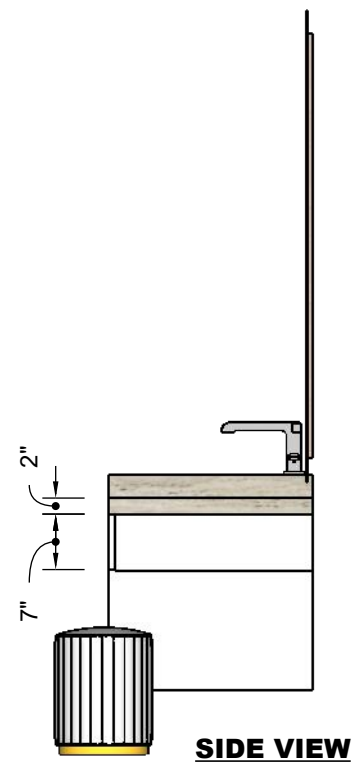
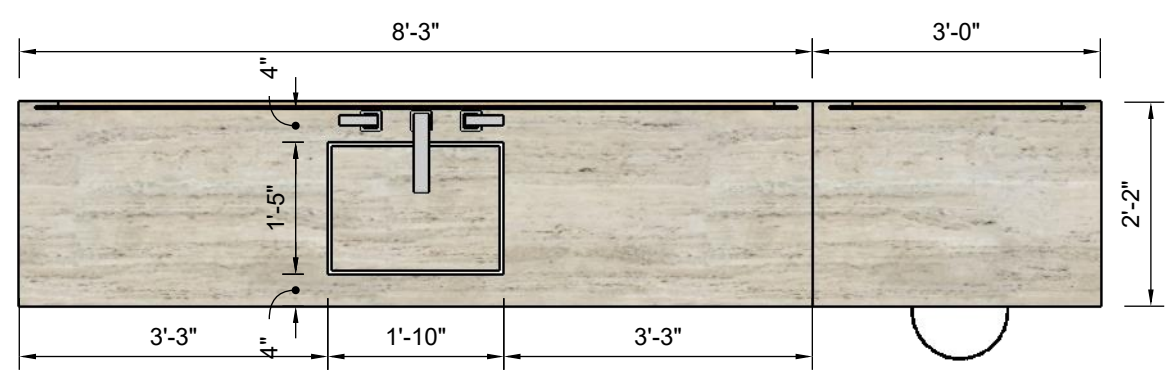


FRONT VIEW
Scale 1:24



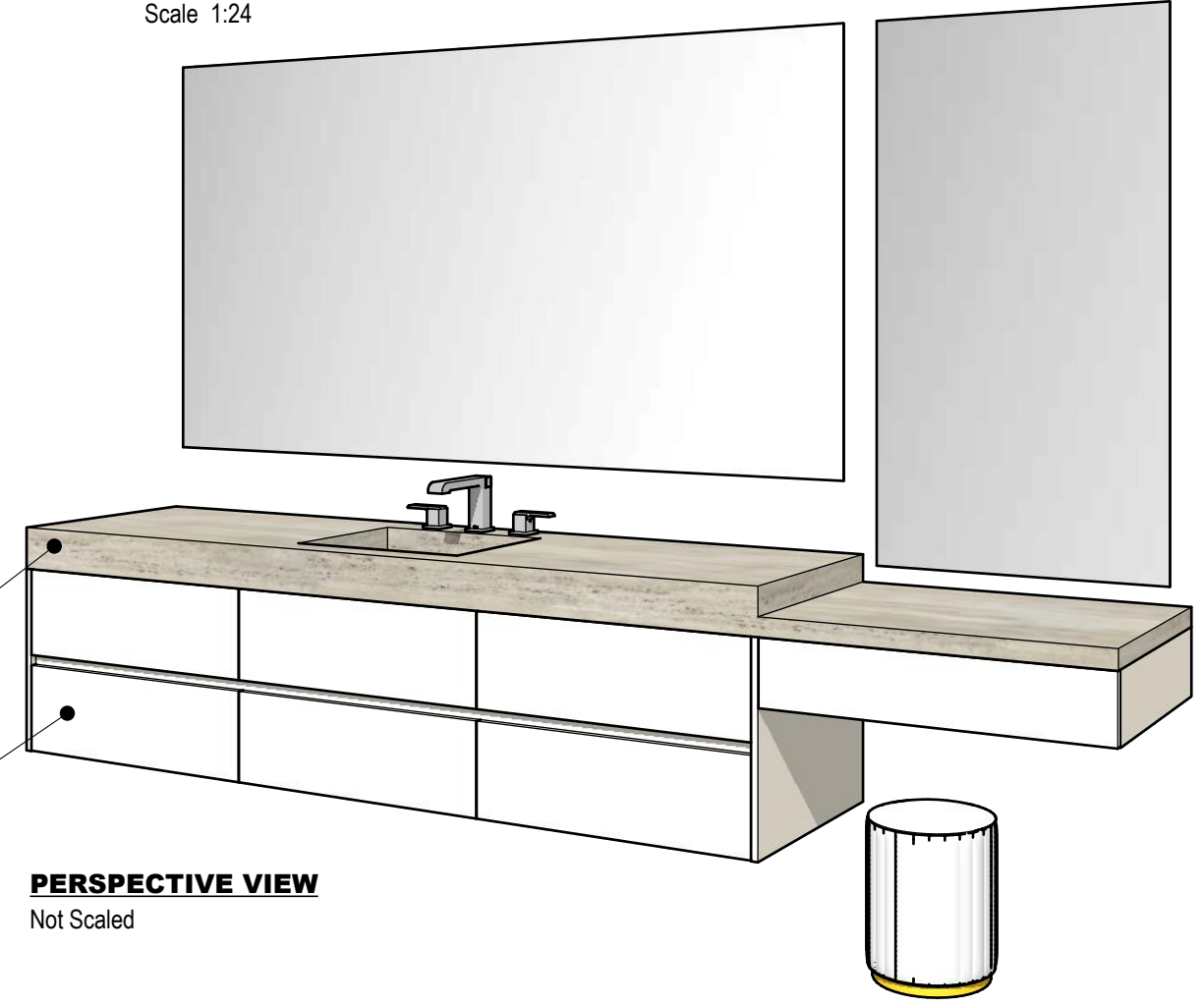
SIDE VIEW
Scale 1:24



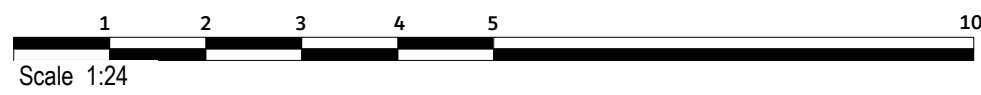
TOP VIEW
Scale 1:24

T.B.D	FINISH	SELLER
	MATERIAL NAME	
Item No:		

T.B.D	FINISH	SELLER
	MATERIAL NAME	
Item No:		



PERSPECTIVE VIEW
Not Scaled



Scale 1:24

NOTE

Drawings may not be scaled.

The numerical dimensions represent correct measurements. (If not indicated, the precision of the dimensions by default is to 1")

All design ideas, drawings and plans represented here are owned by the property of WESTHAVEN CONSTRUCTION SERVICES, INC. All rights reserved. Above suggested electrical and plumbing locations, must be verified in field.



WESTHAVEN CONSTRUCTION SERVICES, INC.

8254 South River Dr
Medley, FL 33166
Ph. 305 556 1416
www.westhavencn.com

PROGRESS DRAWING
FOR APPROVAL



CONTACT DESIGN TEAM

ISSUE
06/28/2023
RE - ISSUE
06/28/2023

3301 MIRAMAR
0000 Fl, 33000

OWNER
HAROLD
DESIGN BY
J. Alonso
DRAWN BY
A. Quintero
PAGE NAME
HIS VANITY

DESIGN CONCEPT

**ALL MEASUREMENTS
MUST BE
VERIFIED IN FIELD**

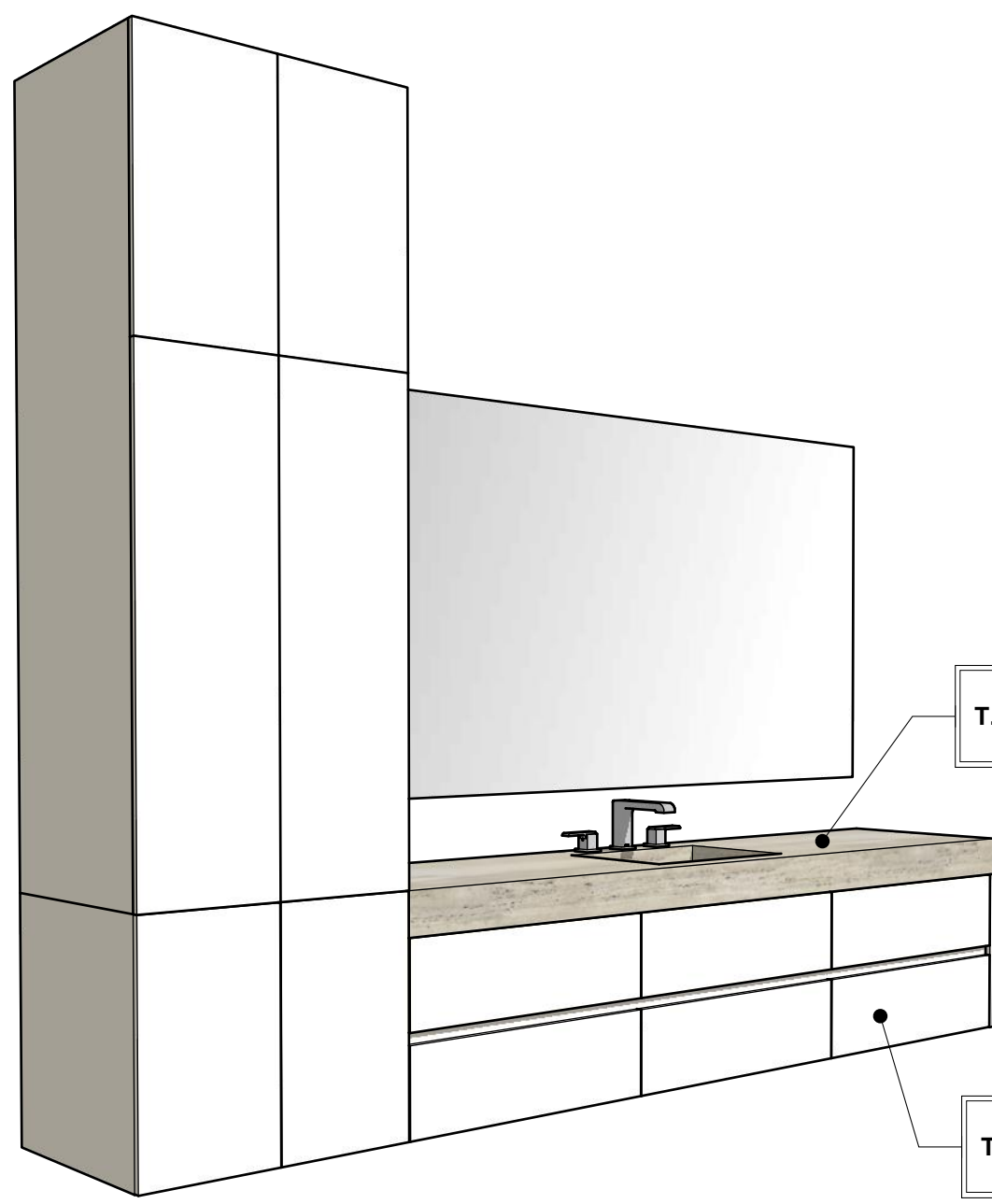
DISCARD ALL DRAWINGS THAT
WERE MADE ON THIS ITEM PRIOR
TO THE DATE BELOW:

06/28/2023

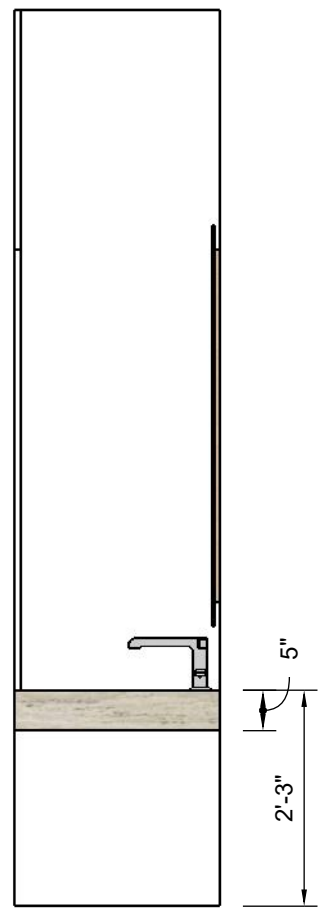
This drawing is not intended to be used
for contract pricing or fabrication
purposes.
All content is subject to change

A - 02

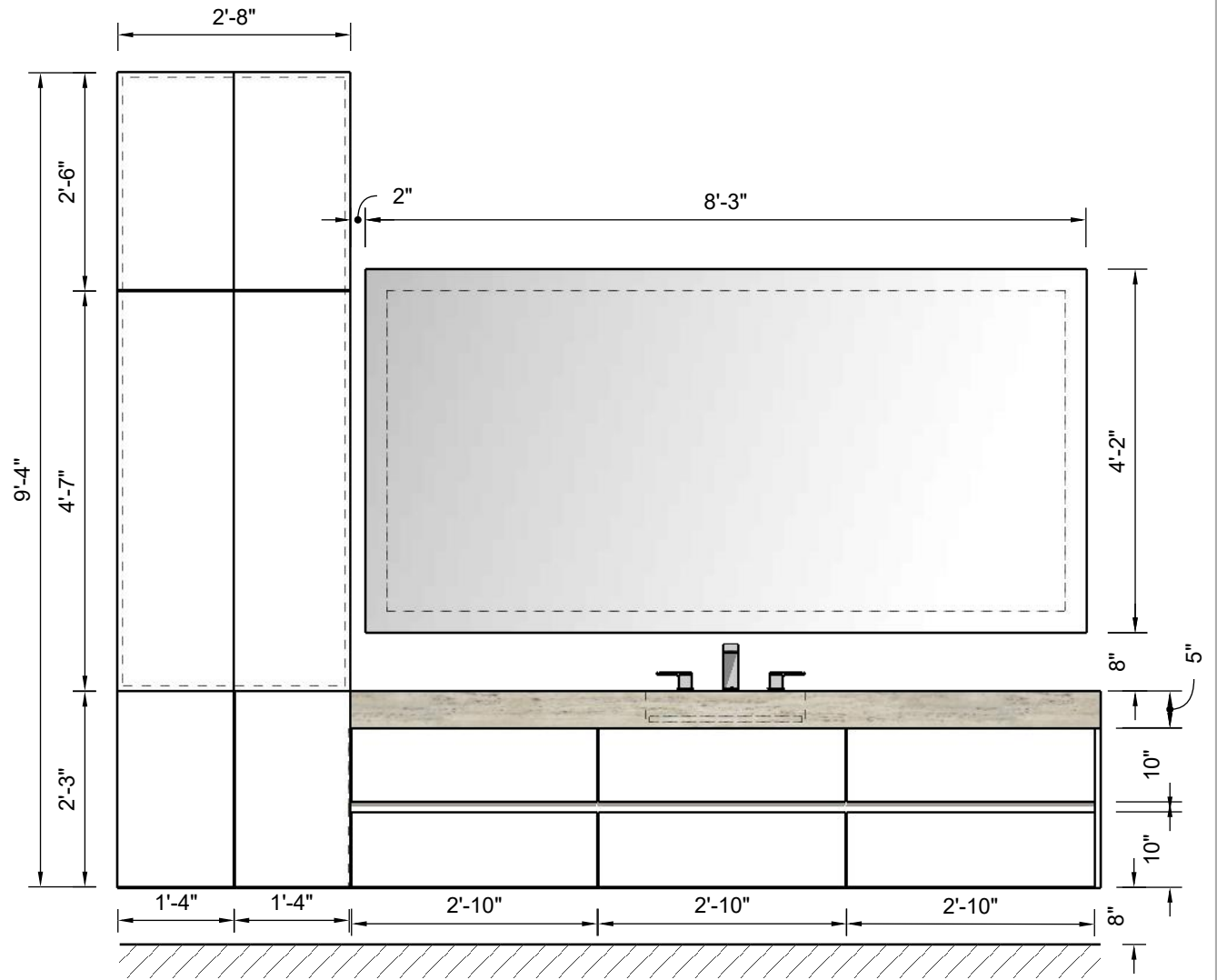
DESCRIPTION



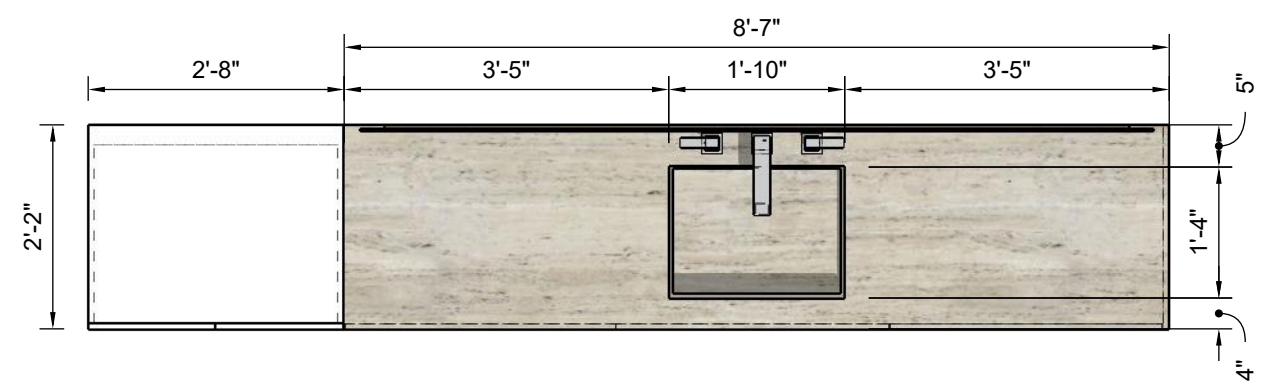
PERSPECTIVE VIEW
Not Scaled



SIDE VIEW
Scale 1:24



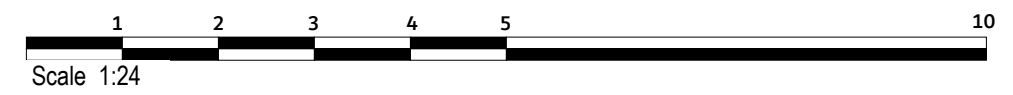
FRONT VIEW
Scale 1:24



TOP VIEW
Scale 1:24

T.B.D	FINISH	SELLER
	MATERIAL NAME	
	Item No:	

T.B.D	FINISH	SELLER
	MATERIAL NAME	
	Item No:	



Scale 1:24

NOTE

Drawings may not be scaled.

The numerical dimensions represent correct measurements. (If not indicated, the precision of the dimensions by default is to 1")

All design ideas, drawings and plans represented here are owned by the property of WESTHAVEN CONSTRUCTION SERVICES, INC. All rights reserved. Above suggested electrical and plumbing locations, must be verified in field.



WESTHAVEN CONSTRUCTION SERVICES, INC.

8254 South River Dr
Medley, FL 33166
Ph. 305 556 1416
www.westhavencn.com

PROGRESS DRAWING
FOR APPROVAL



CONTACT DESIGN TEAM

3301 MIRAMAR
0000 Fl, 33000

DESIGN BY
J. Alonso

OWNER
HAROLD

DRAWN BY
A. Quintero

PAGE NAME
MASTER SHOWER

ISSUE
06/28/2023

RE - ISSUE
06/28/2023

DESIGN CONCEPT

**ALL MEASUREMENTS
MUST BE
VERIFIED IN FIELD**

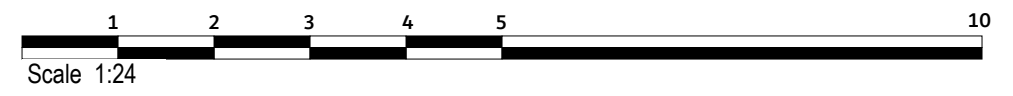
DISCARD ALL DRAWINGS THAT
WERE MADE ON THIS ITEM PRIOR
TO THE DATE BELOW:

06/28/2023

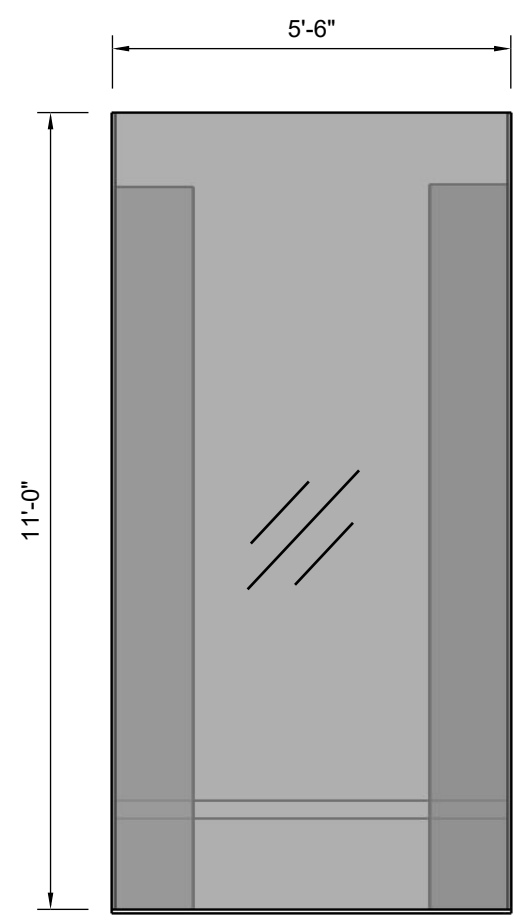
This drawing is not intended to be used
for contract pricing or fabrication
purposes.
All content is subject to change

A - 03

DESCRIPTION

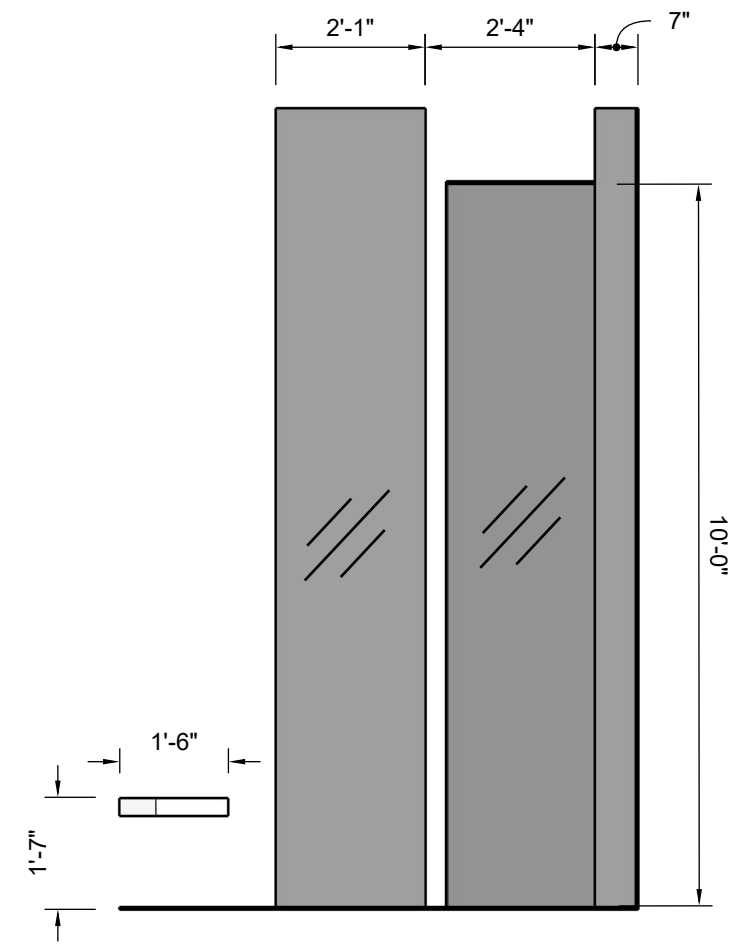


Scale 1:24



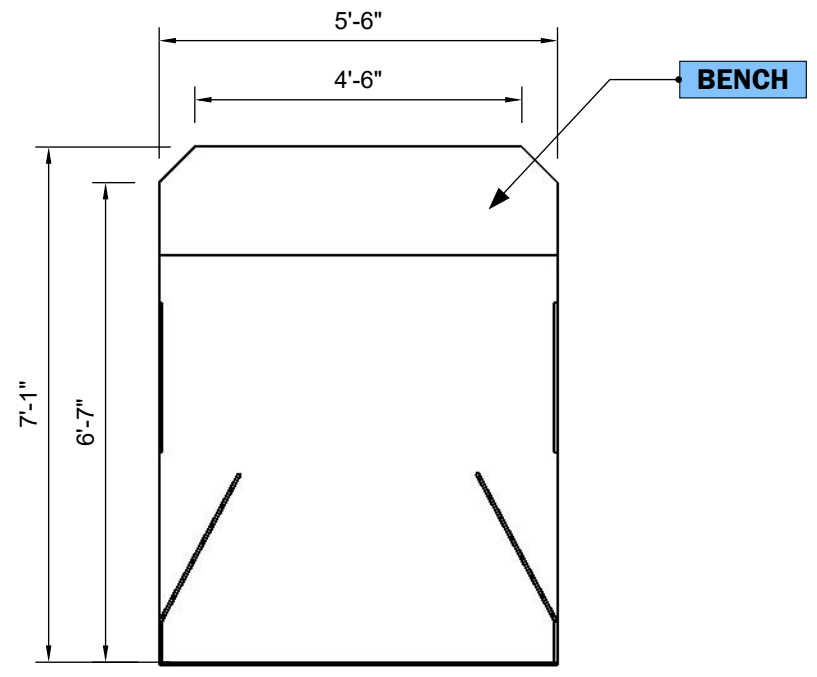
FRONT VIEW

Scale 1:24



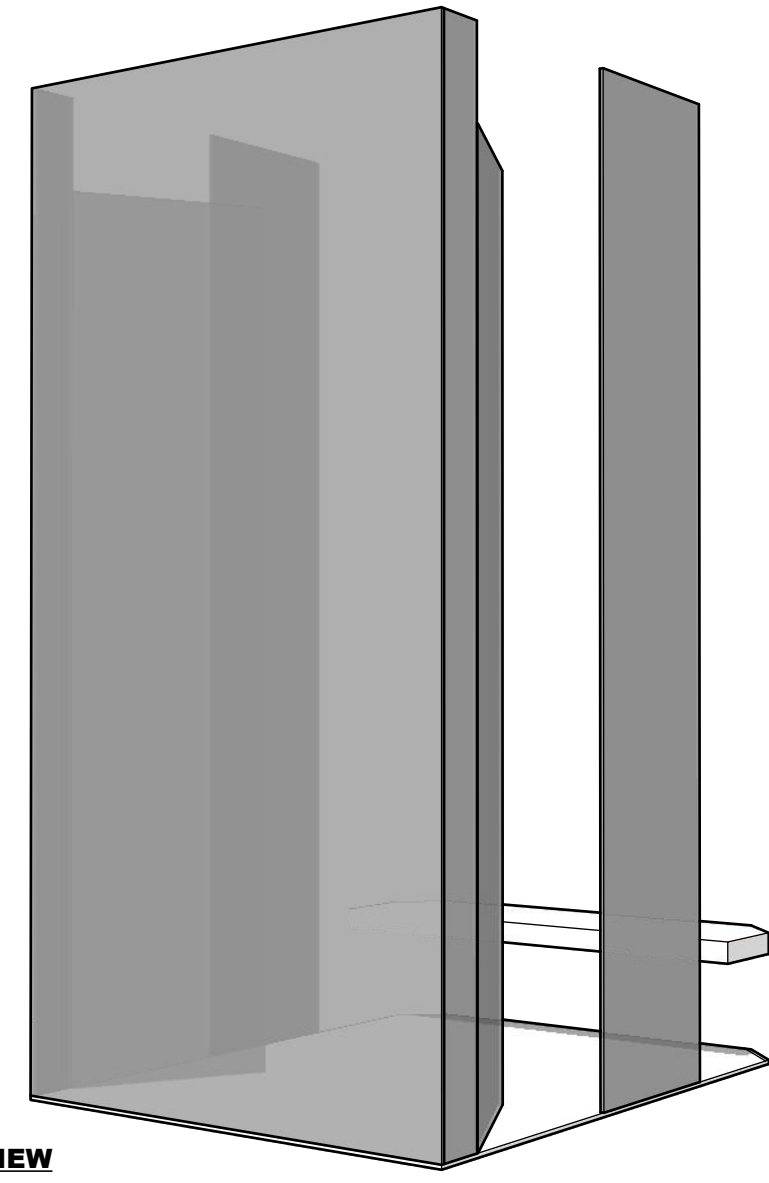
SIDE VIEW

Scale 1:24



TOP VIEW

Scale 1:24



PERSPECTIVE VIEW

Not Scaled