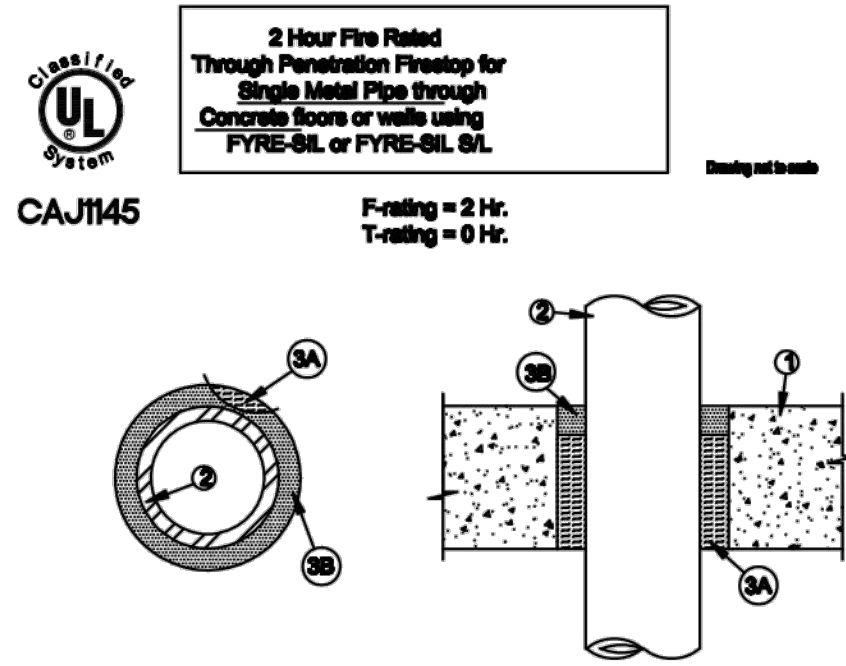


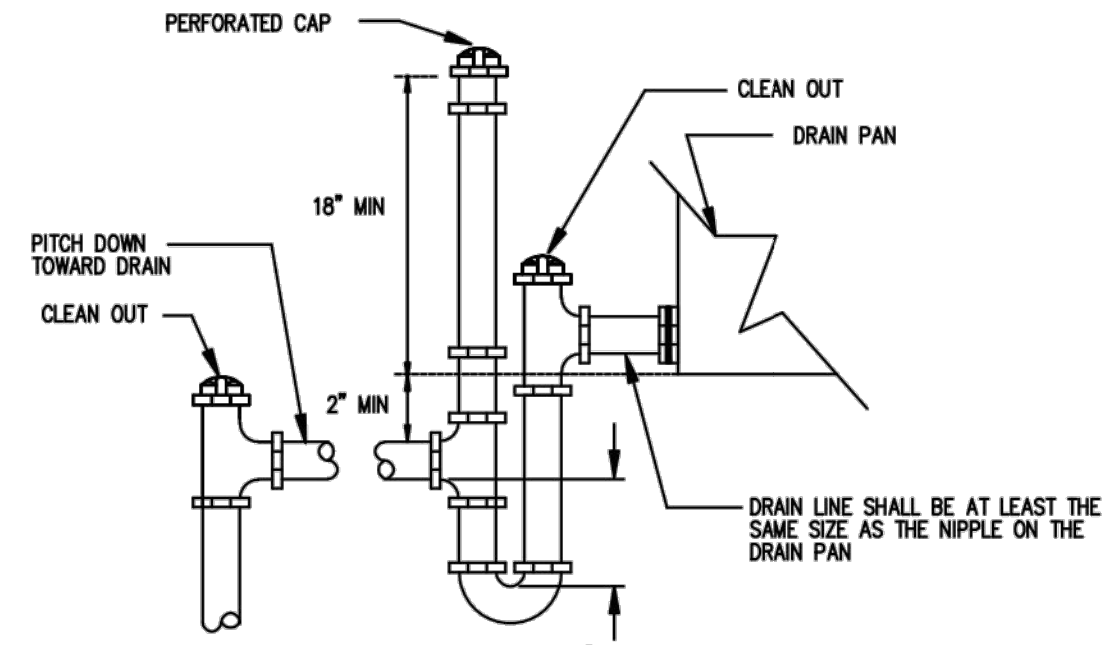
- 1) 1 or 2-hour fire rated gypsum wallboard assembly
- 2) Steel Pipe - 4" diam. (or smaller) Sch. 40 (or heavier) steel
- 3) Conduit - 4" diam. (or smaller) EMT or rigid steel
- 4) TREMstop WBM - 18 Max. 3/4" annulus at a thickness of 1-1/4" (2 Hr. F-rating) or 3/4" (1 Hr. F-rating).



- 1) Floor or Wall assembly = 4" thick concrete
- 2) Steel Pipe - 4" diam. (or smaller) Sch. 40 (or heavier) steel. Annular space to meet 3/4"
- 3) 1/2" thick mineral wool (min 4.0 pull, fluted faced). 1/2" thickness of FYRE-GL or FYRE-GL 8L (same only)

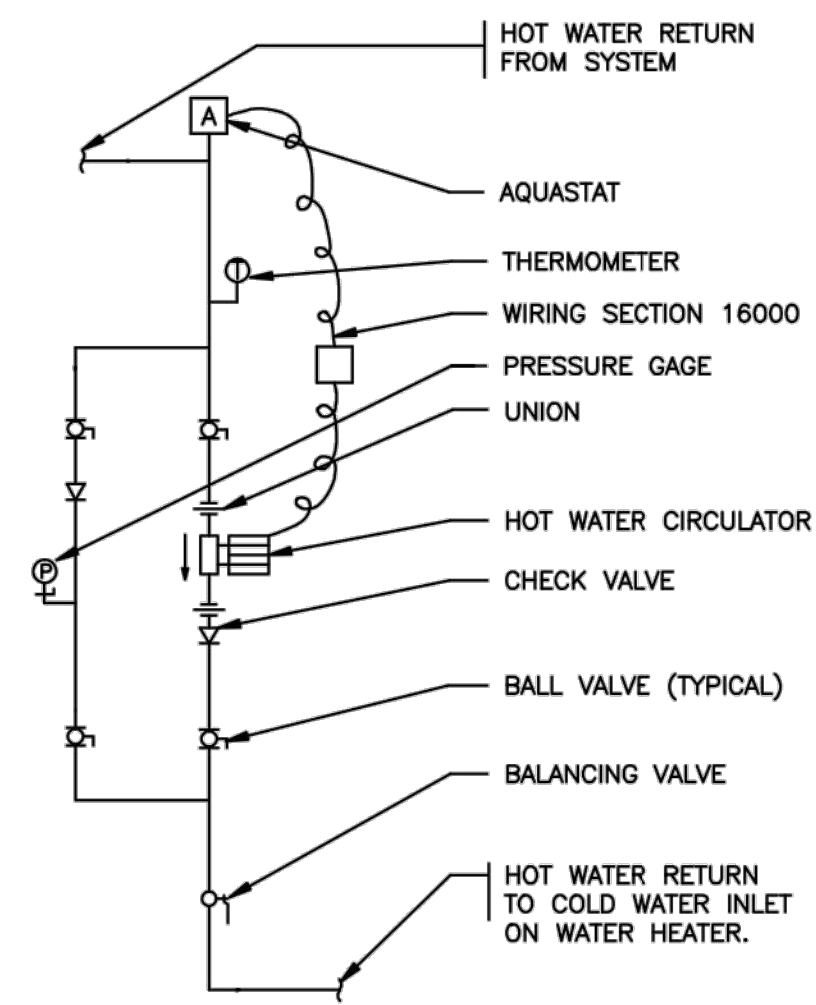
FIRE RATED PIPE PENETRATION DETAIL

NOT TO SCALE



TYPICAL CONDENSATE DRAIN TRAP DETAIL

NOT TO SCALE



PUMP SCHEDULE

I.D.	MANUFACTURER	MODEL	GPM	FEET OF HEAD	HP	REMARKS
HWRP	TACO	013	3	20	1/6	120/1/60

HOT WATER RECIRCULATING PUMP DETAIL

NOT TO SCALE

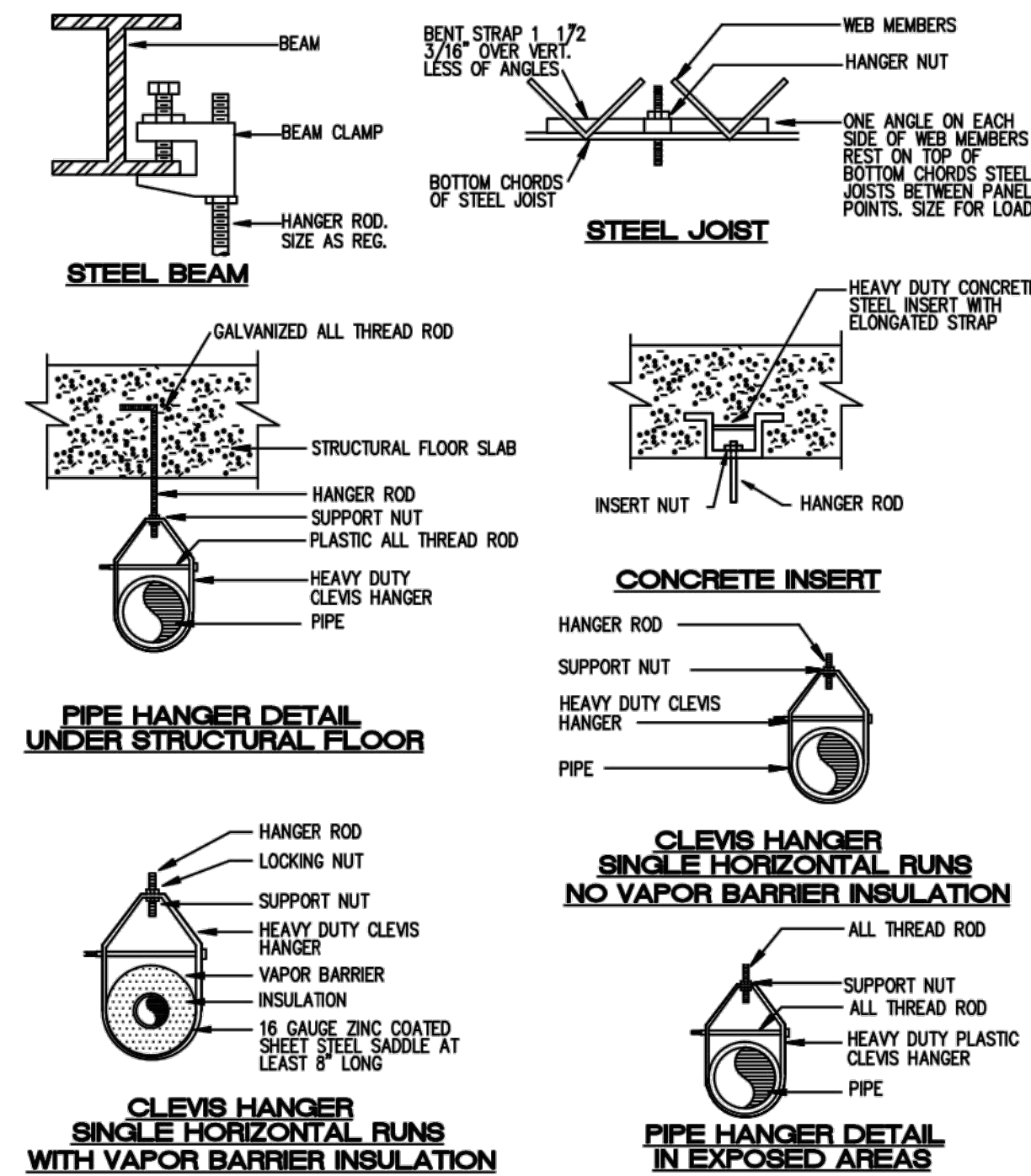
PLUMBING FIXTURE CONNECTION SCHEDULE

FIXTURE / APPLIANCE	LOCATION	NEW/EXIST / REPLACE	WATER			NOTES / REMARKS	
			DRAIN	HOT	COLD		
DW-1	DISHWASHER 1	KITCHEN	NEW	1 1/2	1/2	1/2	6.5 GALLONS PER CYCLE
LAV-1	LAVATORY 1	BATH 1	NEW	1 1/2	1/2	1/2	PROVIDE 1.0 GPM FAUCET
LAV-2	LAVATORY 2	BATH 2	NEW	1 1/2	1/2	1/2	PROVIDE 1.0 GPM FAUCET
LAV-3	LAVATORY 3	BATH 3	NEW	1 1/2	1/2	1/2	PROVIDE 1.0 GPM FAUCET
LAV-4	LAVATORY 4	POWDER RM	NEW	1 1/2	1/2	1/2	PROVIDE 1.0 GPM FAUCET
LAV-5	LAVATORY 5	MASTER BATH	NEW	1 1/2	1/2	1/2	PROVIDE 1.0 GPM FAUCET
LAV-6	LAVATORY 6	MASTER WC RM.	NEW	1 1/2	1/2	1/2	PROVIDE 1.0 GPM FAUCET
SK-1	SINK 1	KITCHEN	NEW	1 1/2	1/2	1/2	PROVIDE 1.0 GPM FAUCET
SK-2	SINK 2	LAUNDRY	NEW	2	1/2	1/2	PROVIDE 1.0 GPM FAUCET
SHO-1	SHOWER 1	BATH 1	NEW	2	1/2	1/2	PROVIDE 1.5 GPM SHOWER HEAD & ANTI-SCALD VALVE
SHO-2	SHOWER 2	BATH 2	NEW	2	1/2	1/2	PROVIDE 1.5 GPM SHOWER HEAD & ANTI-SCALD VALVE
SHO-3	SHOWER 3	BATH 3	NEW	2	1/2	1/2	PROVIDE 1.5 GPM SHOWER HEAD & ANTI-SCALD VALVE
SHO-4	SHOWER 4	MASTER BATH	NEW	2	1/2	1/2	PROVIDE 1.5 GPM SHOWER HEAD & ANTI-SCALD VALVE
TUB-1	TUB-1	MASTER BATH	NEW	1 1/2	1/2	1/2	PROVIDE 1.5 GPM SHOWER HEAD & ANTI-SCALD VALVE
TUB-2	TUB-2	BATH 2	NEW	1 1/2	1/2	1/2	PROVIDE 1.5 GPM SHOWER HEAD & ANTI-SCALD VALVE
WC-1	WC 1	BATH 1	NEW	3	---	1/2	1.28 GALLONS PER FLUSHING CYCLE.
WC-2	WC 2	BATH 2	NEW	3	---	1/2	1.28 GALLONS PER FLUSHING CYCLE.
WC-3	WC 3	BATH 3	NEW	3	---	1/2	1.28 GALLONS PER FLUSHING CYCLE.
WC-4	WC 4	POWDER RM	NEW	3	---	1/2	1.28 GALLONS PER FLUSHING CYCLE.
WC-4	WC 4	MASTER BATH	NEW	3	---	1/2	1.28 GALLONS PER FLUSHING CYCLE.
W-1	WASHER 1	LAUNDRY	NEW	3	1/2	1/2	PROVIDE RECESSED VALVE BOX & AIR GAP AT DRAIN

FLOW RATES & CONSUMPTION PER MIAMI-DADE ORDINANCE 8-14

PLUMBING FIXTURE	MAXIMUM FLOW RATE
LAVATORY -PRIVATE	1.0 GPM @ 60PSI
LAVATORY -PUBLIC	.25 GALLON PER METERING CYCLE
LAVATORY -PUBLIC	0.5 GPM @ 60PSI
SHOWER HEAD	1.5 GPM @ 60PSI
SINK FAUCET	1.0 GPM @ 60PSI
URINAL	0.5 GALLON PER METERING CYCLE
WATER CLOSET	1.28 GALLONS PER FLUSHING CYCLE
DISHWASHER -RESIDENTIAL	6.5 GALLONS PER CYCLE
DISHWASHER -COMMERCIAL	1.2 GALLONS PER RACK FOR FILL&DUMP
DISHWASHER -UNDERCOUNTER	0.9 GALLON PER RACK FOR ALL OTHERS
WASHING MACHINE	1.0 GALLON PER RACK FOR HIGH-TEMP 1.7 GALLONS PER RACK FOR LOW-TEMP WATER FACTOR OF 6 OR LOWER

1 FIXTURE SCHEDULE SCALE: N/A



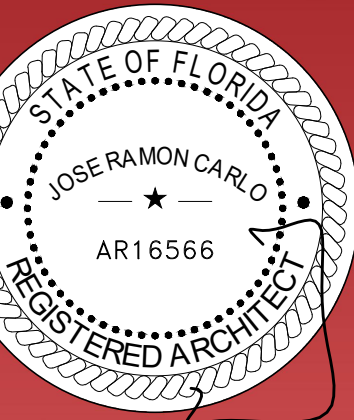
PIPE SUPPORT DETAIL (FOR SANITARY + WATER PIPING)

NOT TO SCALE

2 DETAILS SCALE: AS NOTED

PLUMBING SYMBOL LEGEND

SYMBOL	DESCRIPTION
---	EXISTING PIPING TO REMAIN
----	SANITARY LINE
- - - -	VENT LINE
----	NATURAL GAS LINE
----	CONDENSATE LINE
----	COLD WATER LINE
----	HOT WATER LINE
----	HOT WATER RETURN LINE
⊠	BALL VALVE
⊞	CHECK VALVE
⊞	BALANCING VALVE
FCO	FLUSH CLEAN OUT
FD	FLOOR DRAIN
CO	CLEAN OUT
VTR	VENT THRU ROOF
PD	PLANTER DRAIN
RD	ROOF DRAIN
OD	OVERFLOW DRAIN
⊞	CONNECT NEW PIPING TO EXISTING PIPING



ARCHITECTURE
INTERIOR
DESIGN
REAL ESTATE
ADVISORY

C I C
FL LICENSE NO. AA26002797
JOSE R. CARLO
REGISTERED ARCHITECT
11 ISLAND AVENUE, #2105
MIAMI BEACH, FL 33139
(305) 490-0493
JCARLO@CIC-ARCHITECTURE.COM

MEP ENGINEER:
MARCOS MISRAHI, P.E.
FL LICENSE NO.: P.E.56887

19431 NE 19 PLACE
NORTH MIAMI BEACH, FL 33179

TEL. (305) 527-3220

P R I V A T E
P R E S I D E N T I A L
CONTINUUM SOUTH TOWER
100 SOUTH POINTE DRIVE
UNIT 1001/02/03
BID SET - FEBRUARY 10, 2024

PROJECT: 2205
DATE: SEPTEMBER 30, 2023
FILE: 1001/02/03 PERMIT 230915
REV. DESCRIPTION DATE

SCALE: AS NOTED

PLUMBING
DETAILS

P2.0