



Specifications for Project


8254 NW SOUTH RIVER DR

***Q00051539* WESTHAVEN CONSTRUCTION SERVICES.INC**

Salesperson

Alina Echavarri

Alina.Echavarri@fuseappliances.com

 REMINDER: To ensure a smooth project it is the responsibility of the homeowner / purchaser of appliances for this project to share all the attached specifications to ensure the cabinet provider, contractor, or any other tradesperson have all the information required to complete their work accurately.

Specifications are subject to change. If any tradesperson has questions regarding the attached specifications please contact our sales associate.

8254 NW SOUTH RIVER DR

Q00051539

WESTHAVEN CONSTRUCTION SERVICES.INC, ROGER

8254 NW SOUTH RIVER DR

305-458-5600

MEDLEY, FL 33166



Fuse Specialty Appliances

fuseappliances.com

Alina Echavarri

Builder Account Manager

305.433.6189

Quote **Q00051539**

Version 1.1

Tue, Dec 19, 2023

2:26 PM EST



enterprise.steelcod.com/sp/fuse/Z70XTSWS

<i>Contents</i>	<i>Page no.</i>
RS3084SRHK1 Fisher & Paykel Refrigeration Integrated Column Refrigerator, 30", Water	4-16
RS1884FLJK1 Fisher & Paykel Refrigeration Integrated Column Freezer, 18", Ice	17-29
OB30SDPTDX1 Fisher & Paykel Wall Oven Oven, 30", 17 Function, Self-cleaning	30-34
TK30NDB1 Fisher & Paykel Trim Kit Companion Trim Kit, 30"	35-36
OM24NDB1 Fisher & Paykel Wall Oven Convection Speed Oven 24"	37-41
DW24U2I1	42-50

Note about page numbers:

Because the original manufacturer's documents are not altered in any way, the page numbers displayed on the page may not correspond to the page number within this package.

All specifications are intended for initial planning purposes only.

Manufacturers reserve the right to change specifications at any time without notice. Always consult the installation instructions found on the manufacturer's website or included with the appliances before installation.

Fisher & Paykel Dishwasher

Integrated Dishwasher, 24"

CI365DTB4

51-56

Fisher & Paykel Cooktop

Induction Cooktop, 36", 5 Zones with
SmartZone

FIVAL34B5SS-R

57-58

Falmec Ventilation

Note about page numbers:

Because the original manufacturer's documents are not altered in any way, the page numbers displayed on the page may not correspond to the page number within this package.

All specifications are intended for initial planning purposes only.

Manufacturers reserve the right to change specifications at any time without notice. Always consult the installation instructions found on the manufacturer's website or included with the appliances before installation.

Integrated Column Refrigerator, 30", Water

Series 11 | Integrated

Panel Ready | Right Hinge

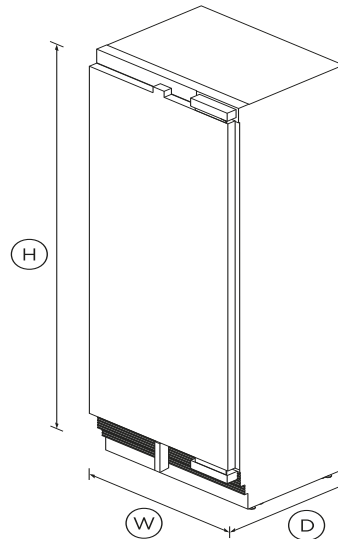


Install it separately or pair with another Column for seamless integration – this model is right hinge with stainless steel interior.

- ActiveSmart™ technology helps keep food fresher for longer by constantly maintaining the ideal temperature
- Two separate Variable Temperature Zones. Choose from Fridge, Pantry or Chill
- Internal water dispenser for convenient access to fresh, chilled water
- Customize with your own kitchen cabinetry or purchase our stainless steel door panel accessory

DIMENSIONS

Height	84"
Width	29 3/4"
Depth	24"



FEATURES & BENEFITS

Variable temperature zones

Create the perfect climate by storing food at their optimal temperature. Change a compartment to Fridge, Pantry or Chill.

Internal water dispenser

This integrated model features a slimline water dispenser, located on the inside for an uninterrupted exterior. The flush-fit design of the water dispenser maximizes internal storage space, allowing the shelves to be adjusted to suit your needs. Enjoy a

continuous flow of temperature-controlled chilled water to fill almost any size or shape of vessel.

Appealing illumination

Bright LEDs light up the ceiling, shelves, bins and trays in both refrigerator and freezer, creating a welcoming glow in your kitchen at night and using less power than comparable halogen lights.

Mix & match

Integrated Column Refrigeration gives you the freedom to mix and match refrigerators and freezers based on your needs – or install separately. They can be customized with your kitchen cabinetry for a seamless look, or finished with one of our stainless steel door panels.

Clever energy

ActiveSmart™ makes your refrigerator more energy efficient – adapting to daily use and cooling and defrosting only when needed. This means it uses the energy it needs without compromising on food care.

Design quality

The premium design and quality finish includes a white or stainless steel interior lining, as well as full-extension metal shelf runners for easy access and robust glass shelving.

Perfect fit

Create an understated and clean look in any kitchen. You can hide our Integrated Column models seamlessly behind your cabinetry, fitting flush with only a 1/8" gap and no visible hinges or grilles.

SPECIFICATIONS

Accessories (sold separately)

Door panel stainless steel	30" Right hinge RD3084R4D
Handle kit Contemporary	AHS-RD84
Handle kit Contemporary	AHD5RDSF

Handle kit Contemporary	AHD5RDSFB
Handle kit Contemporary	AHD3-RD84
Handle kit Professional round	AHC-RD84
Handle kit Professional round	AHP3RDSF
Handle kit Professional square	AHV2-RD84
Joiner kit	AJ-RS84LR
Toe kick stainless steel 30"	AKRS3004
Toe kick stainless steel 48"	AKRS4804
Toe kick stainless steel 54"	AKRS5404
Toe kick stainless steel 60"	AKRS6004
Toe kick stainless steel 66"	AKRS6604
Toe kick stainless steel 72"	AKRS7204
Toe kick stainless steel 78"	AKRS7804
Toe kick stainless steel 84"	AKRS8404
Water filter replacement	847200 - FWC3

Capacity

Total gross capacity	16.3cu ft
Volume	16.3cu ft
Volume refrigerator	16.3cu ft

Consumption

Energy rating	Energy star
---------------	--------------------

Features

Adjustable door shelves	4
Adjustable glass cantilevered	•
Adjustable glass shelves	2
Covered door shelves	1
Door alarm	•

Gallon door shelves	1
Internal water dispenser	•
LED bin lighting	•
LED ceiling lighting	•
LED lighting	•
LED side lighting	•
SmartTouch interface at	•
Soft-close fruit and vegetable	•
Stackable bottle holders	4

Performance

ActiveSmart™ Foodcare	•
Dual evaporator	•
Humidity control system	•
Inverter controlled compressor	•
Sabbath mode	•
Variable food modes lower	Pantry; Fridge; Chill
Variable food modes upper	Pantry, Fridge
Variable temperature zones	2

Power requirements

Rated current	10A
Supply frequency	60Hz
Supply voltage	115V

Product dimensions

Depth	24"
Height	84"
Width	29 3/4"

Product information

Packaged weight	309lbs
Unpackaged weight	294lbs

Warranty

Parts and labor	2 years
Sealed system parts and labor	additional 3 years

SKU	26166
-----	--------------

The product dimensions and specifications in this page apply to the specific product and model. Under our policy of continuous improvement, these dimensions and specifications may change at any time. You should therefore check with Fisher & Paykel's Customer Care Centre to ensure this page correctly describes the model currently available. ? Fisher & Paykel Appliances Ltd 2020

Other product downloads available at fisherpaykel.com

- [↓](#) Energy Label
- [↓](#) User Guide EN
- [↓](#) Service & Warranty
- [↓](#) Installation Guide - Toe Kick
- [↓](#) Water Filter Replacement Instructions & Installation Guide
- [↓](#) Installation Guide
- [↓](#) Specification Guide Integrated Column Refrigerator
- [↓](#) Data Sheet Integrated Column Fridge
- [↓](#) Data Sheet Integrated Column Fridge Dual Install (18" + 30")
- [↓](#) Data Sheet Integrated Column Fridge Dual Install (24" 30")
- [↓](#) Data Sheet Integrated Column Fridge Dual Install (30" + 30")
- [↓](#) Planning Guide Integrated Columns
- [↓](#) Key Purchase Decisions Integrated Columns



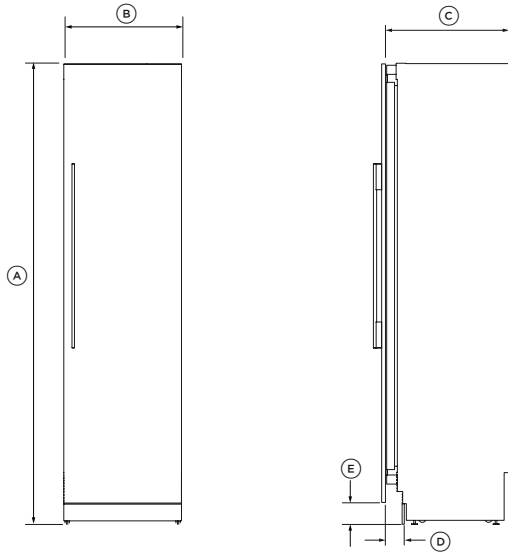
A PEACE OF MIND SALE

24 Hours 7 Days a Week Customer Support

T 1.888.936.7872 W www.fisherpaykel.com

PRODUCT DIMENSIONS

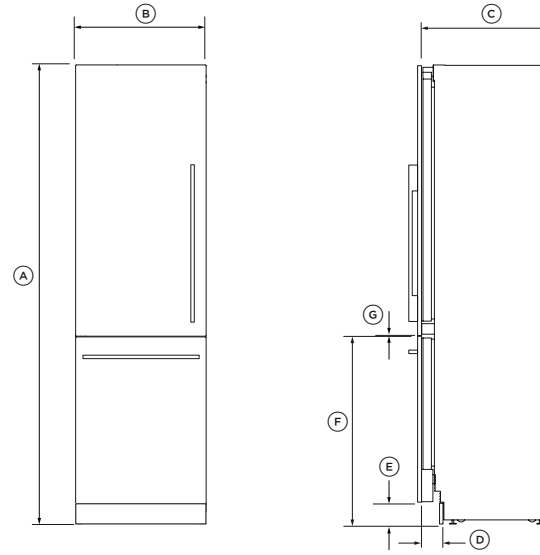
REFRIGERATOR OR FREEZER



FRONT

PROFILE

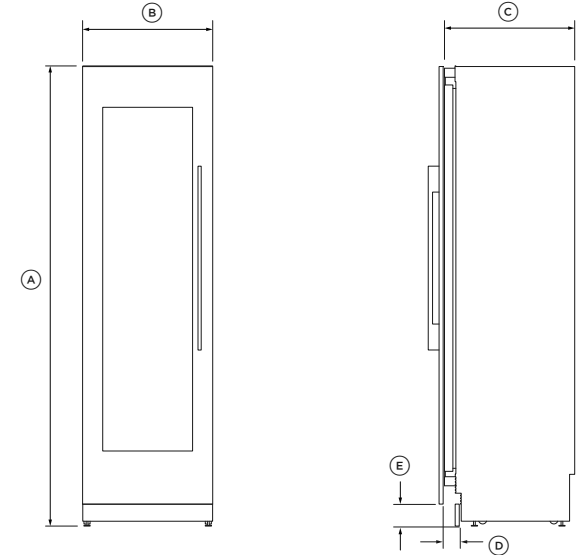
REFRIGERATOR-FREEZER



FRONT

PROFILE

WINE CABINET



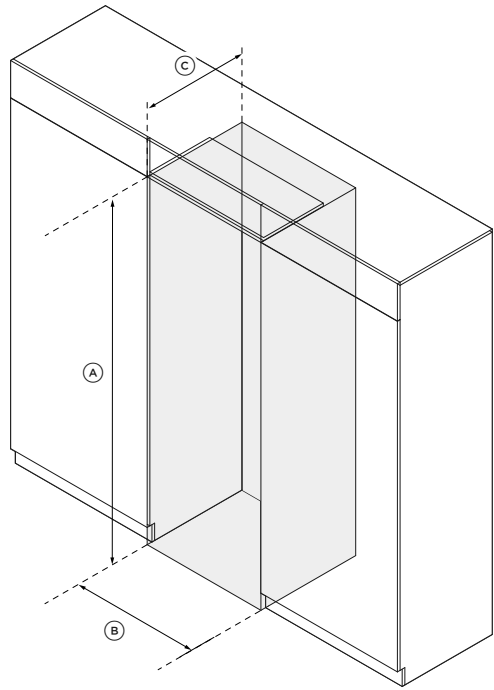
FRONT

PROFILE

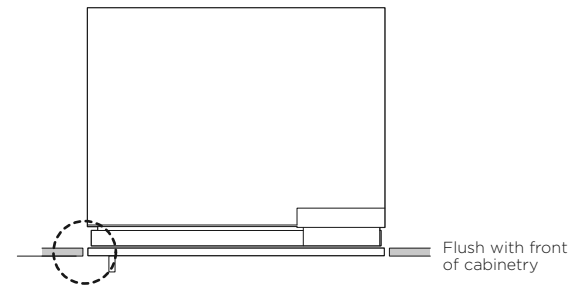
PRODUCT DIMENSIONS	18"		24"		30"	
	IN	MM	IN	MM	IN	MM
Ⓐ Overall height	84	2134	84	2134	84	2134
Ⓑ Overall width	17 3/4	451	23 3/4	603	29 3/4	756
Ⓒ Overall depth (excluding door panel)	24	610	24	610	24	610
Ⓓ Depth of toe kick (measured from back of door panel)	2 7/8-4	73-102	2 7/8-4	73-102	2 7/8-4	73-102
Ⓔ Height from floor to bottom of Stainless steel door/drawer panel	4	102	4	102	4	102
Ⓕ Height from floor to top of drawer panel (Refrigerator-Freezer only)	34 7/16	874	34 7/16	874	34 7/16	874
Ⓖ Gap between door and drawer panels (Refrigerator-Freezer only)	—	—	1/8	3	1/8	3
PRODUCT WEIGHT (WITHOUT PACKAGING)	LB	KG	LB	KG	LB	KG
Refrigerator or Freezer	223	101	258	117	295	134
Refrigerator-Freezer	—	—	313	142	359	163
Wine cabinet	—	—	335	152	—	—

18" model for Freezer only. Wine Cabinet available in 24" only.

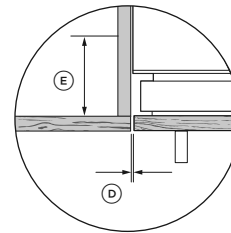
CABINETY DIMENSIONS – SINGLE INSTALLATION



ISOMETRIC

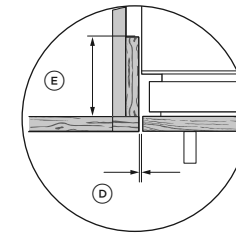


PLAN



UNFRAMED

Aligns appliance with cabinetry



FRAMED

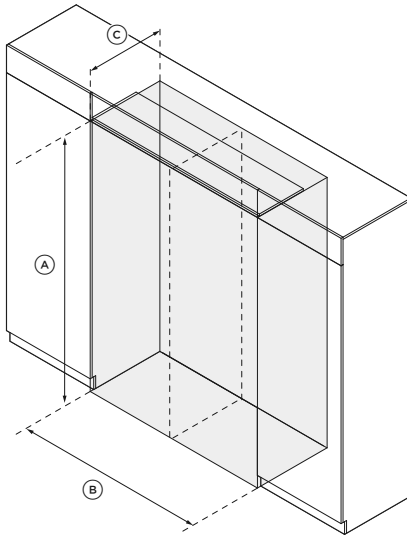
Aligns appliance with frame of cabinetry

CAVITY DIMENSIONS	18"		24"		30"	
	IN	MM	IN	MM	IN	MM
(A) Overall height of cavity	84	2134	84	2134	84	2134
(B) Overall width of cavity	18	457	24	610	24	610
(C) Minimum overall depth of cavity*	25	635	25	635	25	635
(D) Minimum gap from edge of door panel to cabinetry	1/8	3	1/8	3	1/8	3
(E) Minimum required finished return	4	102	4	102	4	102

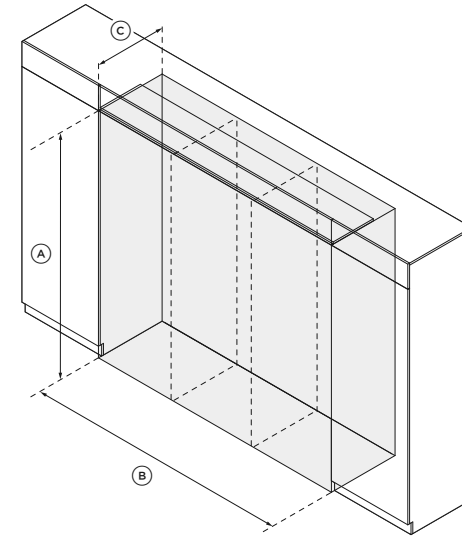
*Assumes a door panel thickness of 3/4" (19mm).

CABINETRY DIMENSIONS – MULTIPLE INSTALLATION

DUAL INSTALL



TRIPLE INSTALL



DUAL INSTALL

CAVITY DIMENSIONS	42"		48"		54"		60"	
	IN	MM	IN	MM	IN	MM	IN	MM
Ⓐ Overall height of cavity	84	2134	84	2134	84	2134	84	2134
Ⓑ Overall width of cavity	42	1067	48	1220	54	1372	60	1524
Ⓒ Minimum overall depth of cavity*	25	635	25	635	25	635	25	635

*Assumes a door panel thickness of 3/4" (19mm).

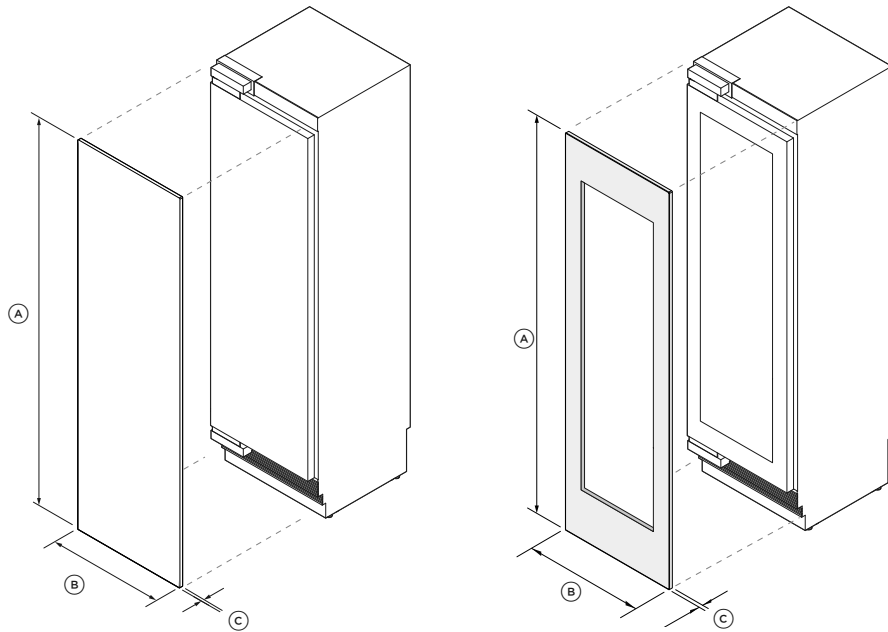
TRIPLE INSTALL

CAVITY DIMENSIONS	66"		72"		78"		84"		90"	
	IN	MM	IN	MM	IN	MM	IN	MM	IN	MM
Ⓐ Overall height of cavity	84	2134	84	2134	84	2134	84	2134	84	2134
Ⓑ Overall width of cavity	66	1677	72	1829	78	1982	84	2134	90	2286
Ⓒ Minimum overall depth of cavity*	25	635	25	635	25	635	25	635	25	635

*Assumes a door panel thickness of 3/4" (19mm).

STAINLESS STEEL DOOR PANEL DIMENSIONS — SINGLE INSTALLATION

REFRIGERATOR OR FREEZER / WINE CABINET

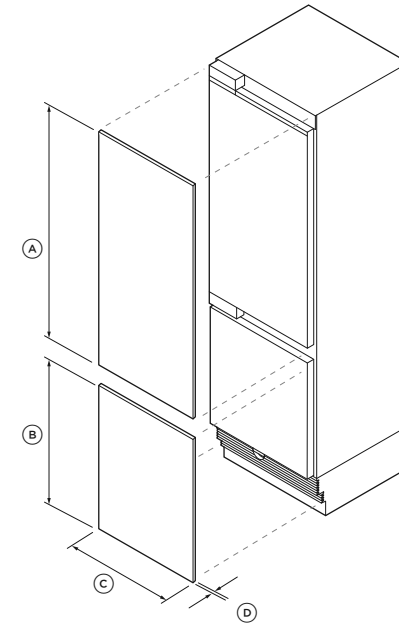


DOOR PANEL DIMENSIONS	18"		24"		30"	
	IN	MM	IN	MM	IN	MM
Ⓐ Height of door panel	79 7/8	2029	79 7/8	2029	79 7/8	2029
Ⓒ Width of door panel	17 3/4	451	23 3/4	603	29 3/4	756
Ⓒ Depth of door panel*	3/4	19	3/4	19	3/4	19

*Excluding handle

DOOR PANEL WEIGHT	18"		24"		30"	
	LB	KG	LB	KG	LB	KG
Weight of Refrigerator or Freezer door panel	44	20	55	25	66	30
Weight of Wine cabinet door panel	—	—	18	8	—	—

REFRIGERATOR-FREEZER



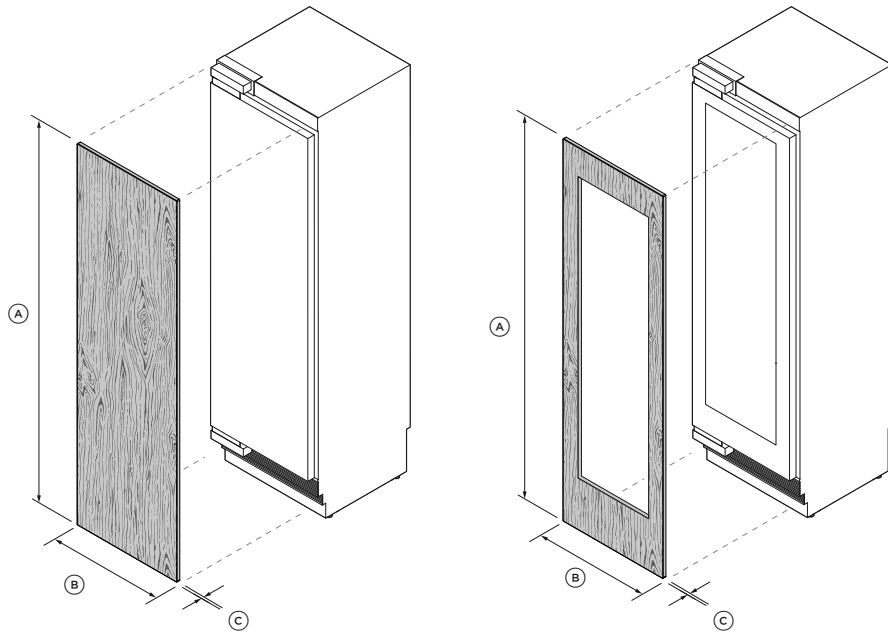
DOOR PANEL DIMENSIONS	24"		30"	
	IN	MM	IN	MM
Ⓐ Height of top door panel	49 3/8	1254	49 3/8	1254
Ⓑ Height of bottom drawer panel	30 3/8	772	30 3/8	772
Ⓒ Width of door panel	23 3/4	603	29 3/4	756
Ⓓ Depth of door panel*	3/4	19	3/4	19

*Excluding handle

DOOR PANEL WEIGHT	24"		30"	
	LB	KG	LB	KG
Weight of top door panel	20	9	22	10
Weight of bottom drawer panel	13	6	15	7

CUSTOM DOOR PANEL DIMENSIONS – SINGLE INSTALLATION

REFRIGERATOR OR FREEZER / WINE CABINET

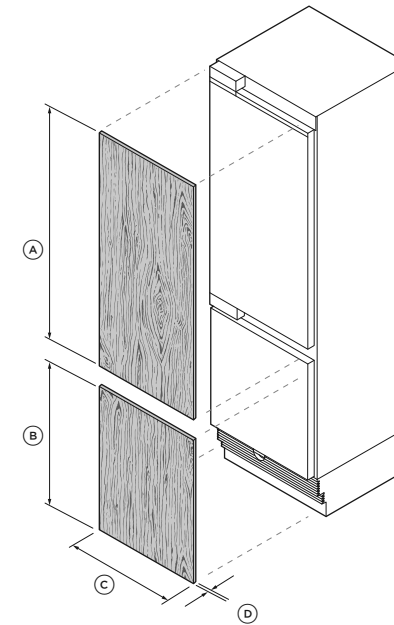


DOOR PANEL DIMENSIONS	18"		24"		30"	
	IN	MM	IN	MM	IN	MM
Ⓐ Height of door panel	77 7/8 - 81 7/8	1978- 2080	77 7/8 - 81 7/8	1978- 2080	77 7/8 - 81 7/8	1978- 2080
Ⓒ Width of door panel	17 3/4	451	23 3/4	603	29 3/4	756
Ⓒ Depth of door panel*	min 5/8 max 1	min 16- max 25	min 5/8 max 1	min 16- max 25	min 5/8 max 1	min 16- max 25

*Excluding handle

DOOR PANEL WEIGHT	18"		24"		30"	
	LB	KG	LB	KG	LB	KG
Weight of Refrigerator or Freezer door panel	max 44	max 20	max 55	max 25	max 66	max 30
Weight of Wine cabinet door panel	—	—	max 55	max 25	—	—

REFRIGERATOR-FREEZER



DOOR PANEL DIMENSIONS	24"		30"	
	IN	MM	IN	MM
Ⓐ Height of top door panel	49 3/8	1254	49 3/8	1254
Ⓑ Height of bottom drawer panel	28 3/8 - 32 3/8	721- 822	28 3/8 - 32 3/8	721- 822
Ⓒ Width of door panel	23 3/4	603	29 3/4	756
Ⓓ Depth of door panel*	min 5/8 max 1	min 16- max 25	min 5/8 max 1	min 16- max 25

*Excluding handle

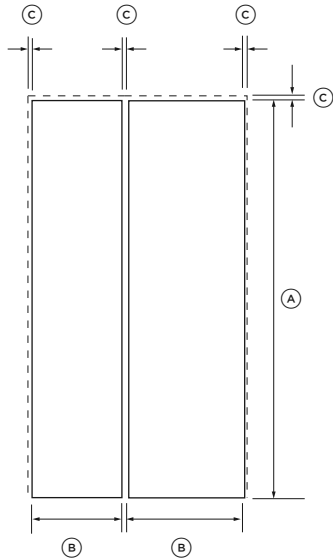
DOOR PANEL WEIGHT	24"		30"	
	LB	KG	LB	KG
Weight of top door panel	max 33	max 15	max 40	max 18
Weight of bottom drawer panel	max 20	max 9	max 24	max 11

For Wine cabinet, the Custom door panel must leave the glass pane visible. A full custom panel sheathing over the glass pane does not meet the specifications of this appliance. For all models, maximum panel weight must not be exceeded.

CUSTOM DOOR PANEL DIMENSIONS – MULTIPLE INSTALLATION

DUAL INSTALL

The illustrations below are examples of custom door panels of different combinations for dual installation. Minimum gaps of 1/8" (3mm) must be retained between door panel side edges and cabinetry regardless of door panel widths.

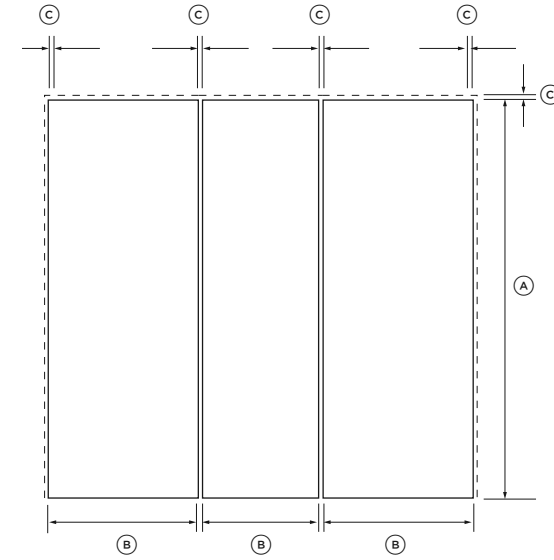


DIMENSIONS	18"		24"		30"	
	IN	MM	IN	MM	IN	MM
Ⓐ Height of door panel	79 7/8	2029	79 7/8	2029	79 7/8	2029
Ⓒ Width of door panel	17 13/16	452	23 13/16	605	29 13/16	757
Ⓒ Minimum clearance between door panels and cabinetry	1/8	3	1/8	3	1/8	3

*Excluding handle

TRIPLE INSTALL

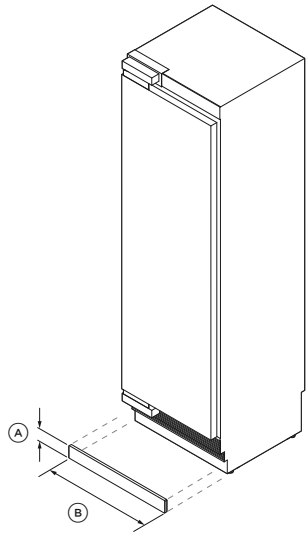
The illustrations below are examples of custom door panels of different combinations for triple installation. Minimum gaps of 1/8" (3mm) must be retained between door panel side edges and cabinetry regardless of door panel widths.



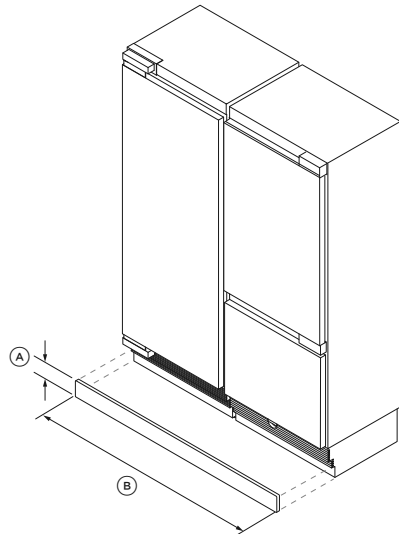
DIMENSIONS	18"		24"		30"	
	IN	MM	IN	MM	IN	MM
Ⓐ Height of door panel	79 7/8	2029	79 7/8	2029	79 7/8	2029
Ⓒ Width of door panel	17 13/16	454	23 13/16	605	29 13/16	757
Ⓒ Minimum clearance between door panels and cabinetry	1/8	3	1/8	3	1/8	3

*Excluding handle

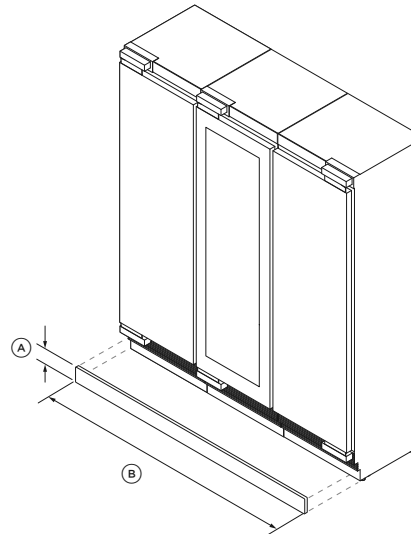
TOE KICK DIMENSIONS



SINGLE INSTALL

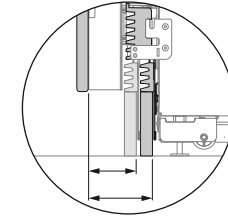


DUAL INSTALL

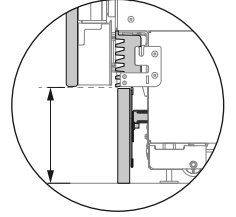


TRIPLE INSTALL

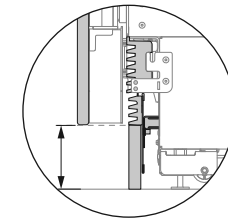
Custom toe kick options



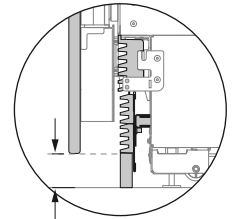
2 7/8" - 4" (73 - 102mm) toe kick clearance measured from rear of door panel



4" (102mm) toe kick height



6" (152mm) toe kick height



2" (51mm) toe kick height (with extra lower grille attached)

SINGLE INSTALL

STAINLESS STEEL/CUSTOM PANEL	18"		24"		30"	
	IN	MM	IN	MM	IN	MM
Ⓐ Height of toe kick*	4	102	4	102	4	102
Ⓑ Width of toe kick	17 7/8	454	23 7/8	606	29 7/8	759

DUAL INSTALL

STAINLESS STEEL/CUSTOM PANEL	36"		42"		48"		54"		60"	
	IN	MM	IN	MM	IN	MM	IN	MM	IN	MM
Ⓐ Height of toe kick*	2-6	50-152	2-6	50-152	2-6	50-152	2-6	50-152	2-6	50-152
Ⓑ Width of toe kick	35 7/8	912	41 7/8	1064	47 7/8	1216	53 7/8	1368	59 7/8	1521

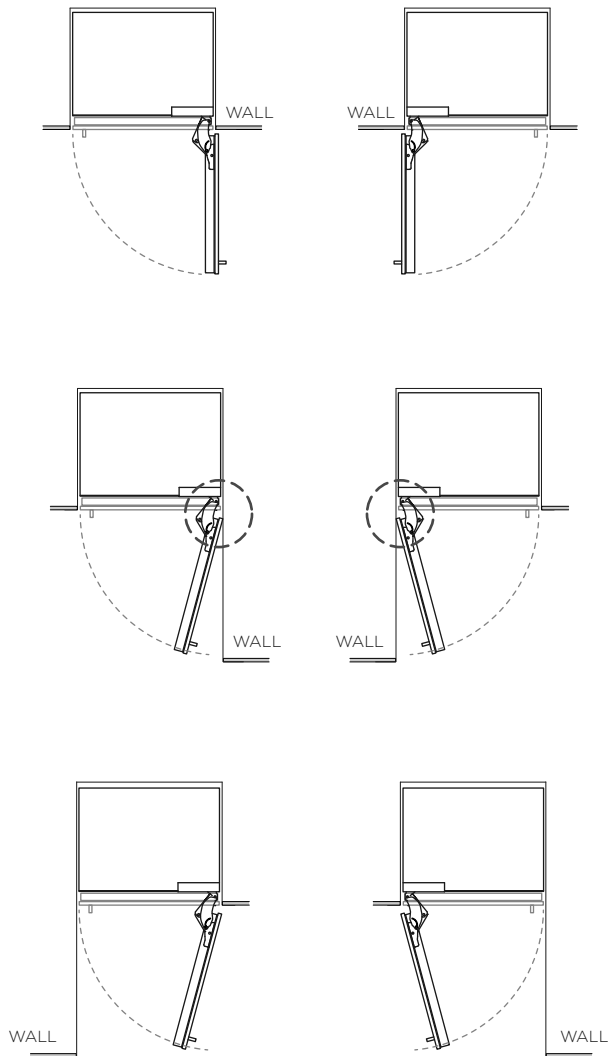
TRIPLE INSTALL

STAINLESS STEEL/CUSTOM PANEL	66"		72"		78"		84"	
	IN	MM	IN	MM	IN	MM	IN	MM
Ⓐ Height of toe kick*	2-6	50-152	2-6	50-152	2-6	50-152	2-6	50-152
Ⓑ Width of toe kick	65 7/8	1674	71 7/8	1826	78	2131	83 7/8	2283

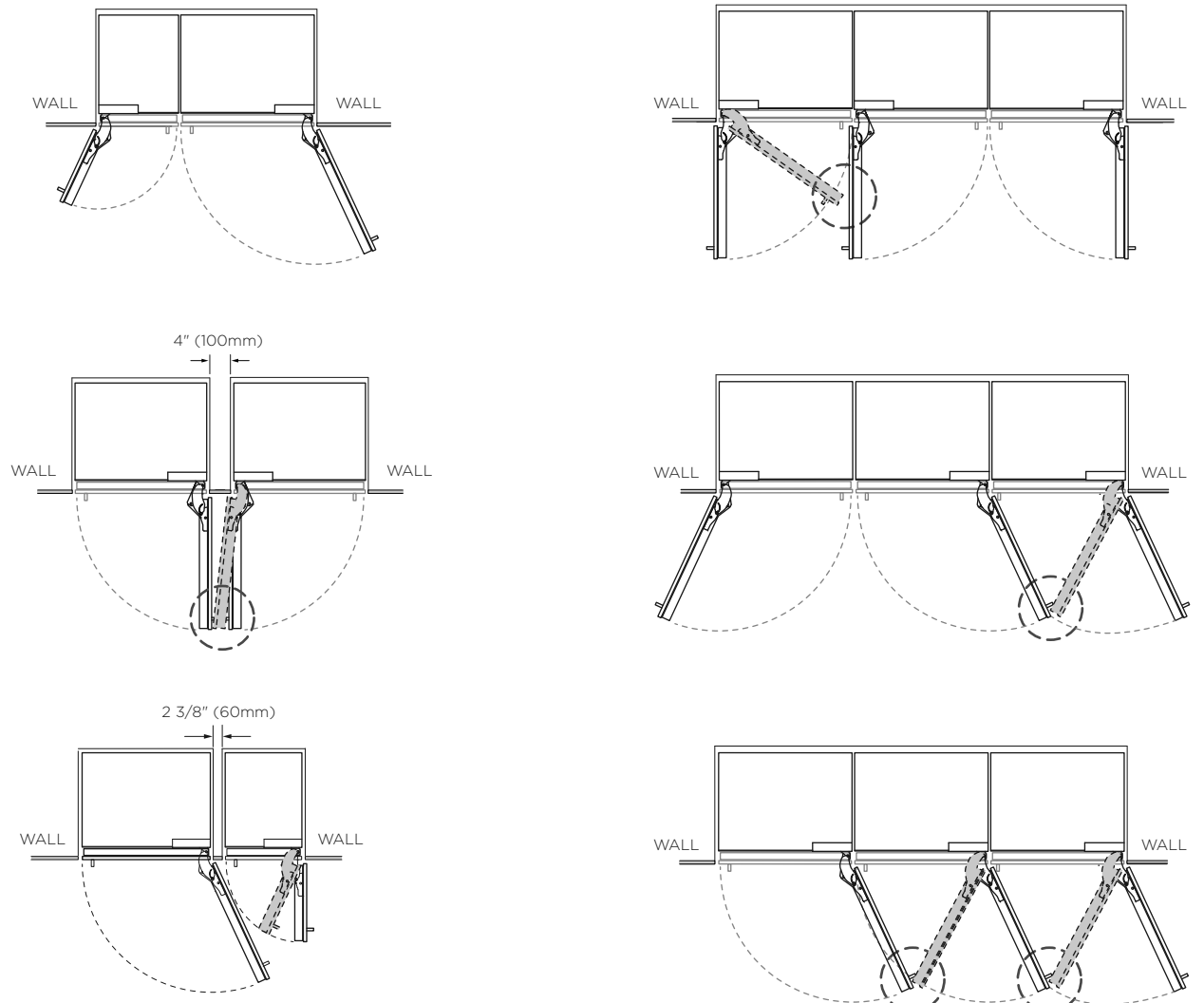
*Standard toe kick height of toe kick is 4" (102mm) for any install options.

INSTALLATION OPTIONS

SINGLE INSTALL

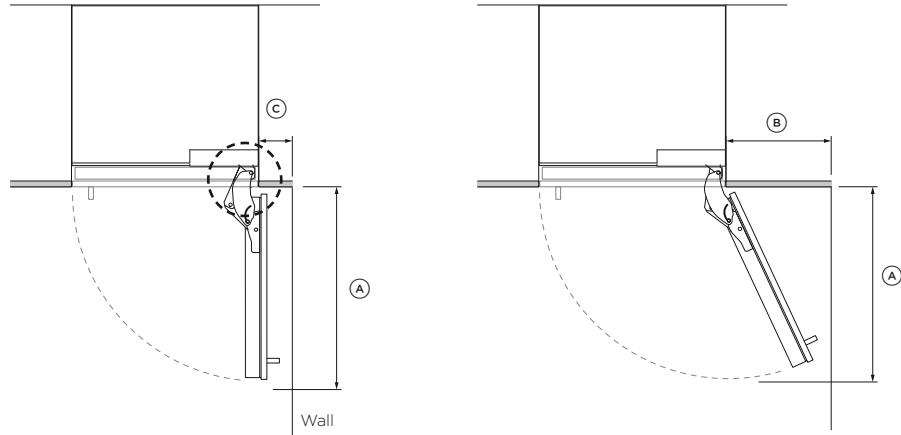


MULTIPLE INSTALL



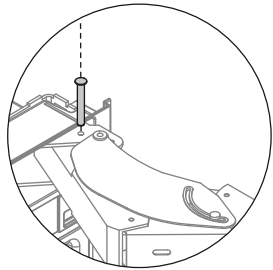
The illustrations above show acceptable installation options with reference to the door opening range and partition (optional). Be aware of clashing (circled) of doors or handles when opening at the same time. If installing a partition between the appliances, ensure there is enough clearance to avoid doors/handles from interfering with each other when opening or closing. If necessary, use a hinge limiting pin to restrict door opening rotation to 90°. Refer to 'Door clearance' for more information.

DOOR CLEARANCE



LIMITED INTERNAL ACCESS

FULL INTERNAL ACCESS



Insert hinge limiting pin

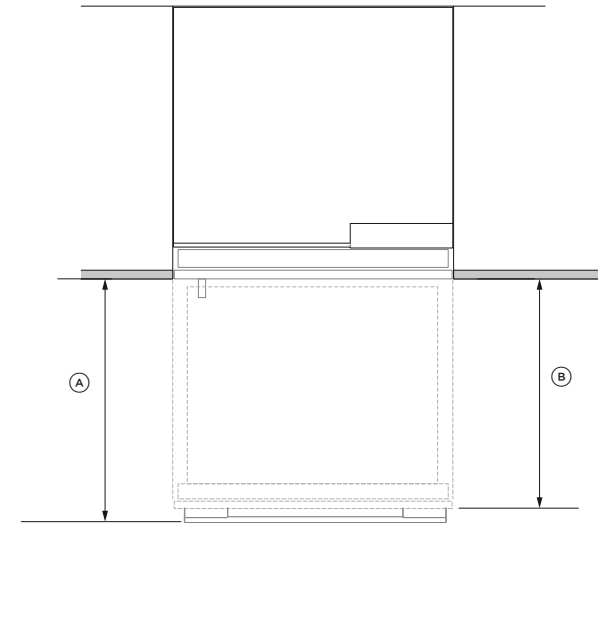
Before pushing the appliance into the cabinetry, insert the supplied hinge limiting pin into the borehole of the top and bottom door hinges. The hinge limiting pin limits door swing to 90°.

For Refrigerator-Freezer models, the hinge limiting pins are inserted into the boreholes of the top and bottom hinges of top door.

DIMENSIONS	18"		24"		30"	
	IN	MM	IN	MM	IN	MM
Ⓐ Width of door (90° open) measured from front of door	20	508	26	660	32	813
Ⓑ Minimum door clearance to adjacent wall* (115° – full internal access)	11 1/2	292	14	356	16 1/2	419
Ⓒ Minimum door clearance* to adjacent wall* (90° – reduced internal access)	4 5/16	110	4 5/16	110	4 5/16	110

DRAWER CLEARANCE

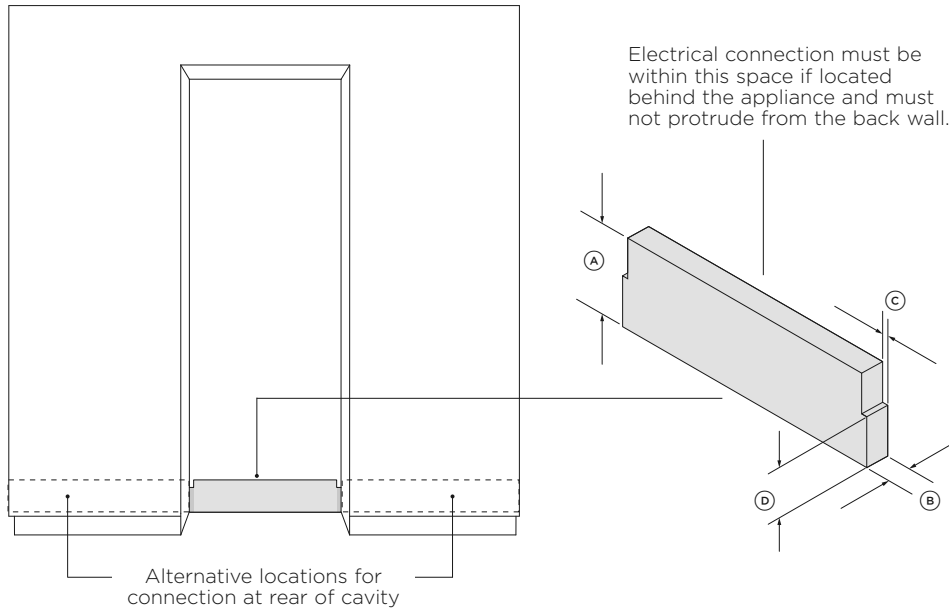
These dimensions apply to Refrigerator-Freezer models only.



DIMENSIONS	24"		30"	
	IN	MM	IN	MM
Ⓐ Maximum drawer extension when open (including handle)*	18 1/8	461	18 1/8	461
Ⓑ Maximum drawer extension when open (excluding handle)	16 9/16	420	16 9/16	420

*Assumes handle depth of 1 5/8" (41mm).

ELECTRICAL AND PLUMBING



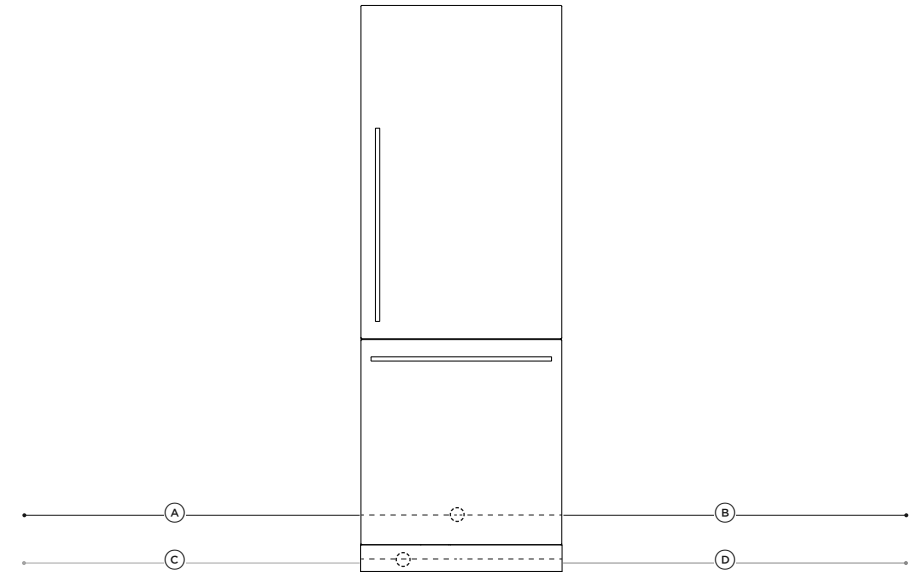
SUPPLY AREA DIMENSIONS	IN	MM
Ⓐ Overall height of supply area	9	229
Ⓑ Overall depth of supply area	1	25
Ⓒ Width of notch in supply area (both sides)	1/2	13
Ⓓ Height of sides of supply area (both sides)	5	127

ELECTRICAL SPECIFICATIONS

Supply	115 VAC, 60 Hz
Service	10 amp circuit
Receptacle	3-prong grounding-type

PLUMBING SPECIFICATIONS

Supply	1/2" (12.7mm) BSP Stainless steel braided hose with adaptor
Pressure	22psi (min 151kPa)–120psi (max 827kPa) @ 68°F (20°C)



POWER CORD	18"		24"		30"	
	IN	MM	IN	MM	IN	MM
Ⓐ Total length exiting from left side of appliance (excluding plug)	54 1/2	1385	71 1/4	1809	68 1/4	1733
Ⓑ Total length exiting from right side of appliance (excluding plug)	55 9/16	1411	72 1/4	1835	69 1/4	1759

WATER HOSE	18"		24"		30"	
	IN	MM	IN	MM	IN	MM
Ⓒ Total length exiting from left side of appliance	89 7/16	2271	86 7/16	2196	68 1/4	1733
Ⓓ Total length exiting from right side of appliance	77	1956	72 1/4	1878	69 1/4	1759

Integrated Column Freezer, 18", Ice

Series 11 | Integrated

Panel Ready | Left hinge

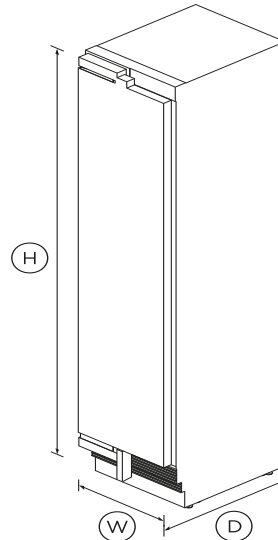


Install it separately or pair with another Column for seamless integration – this model is left hinge with stainless steel interior.

- ActiveSmart™ technology helps keep food fresher for longer by constantly maintaining the ideal temperature
- Two separate Variable Temperature Zones: each with Freeze, Soft Freeze or Deep Freeze
- Internal ice maker with boost for busy times
- Customize with your own kitchen cabinetry or purchase our stainless steel door panel accessory

DIMENSIONS

Height	84"
Width	17 3/4"
Depth	24"



FEATURES & BENEFITS

Variable Temperature Zones

Food is stored in two separate zones. You have the choice of three food modes: Freeze -7°F to 7°F, Soft Freeze 14°F to 18°F and Deep Freeze is fixed at -13°F.

Mix & match

Integrated Column Refrigeration gives you the freedom to mix and match. Different sized Column Fridges and Freezers can be installed separately or paired. Finish them with our stainless steel door panels or customise to match your own kitchen cabinetry.

Clever energy

Our Energy Star certified ActiveSmart™ Foodcare Fridge Freezers adapt to daily use by cooling and defrosting only when needed. This means your refrigerator uses the energy it needs without compromising on food care.

Design quality

The premium design and quality finish includes a steel interior lining as well as full extension metal shelf runners for easy access and robust glass shelving.

Appealing illumination

Bright LEDs light up the ceiling, shelves, bins and tray in both refrigerator and freezer, making it easy to find your food and creating a welcoming glow in your kitchen for those midnight snacks.

Easy install

Integrated Column Refrigerators and Freezers have been developed to make their installation easy. The joiner kit is included when pairing refrigerator and freezers. All models come with front adjustable levelling feet and they've been designed to easily slide into place as separate units.

Perfect fit

These models fit flush and have only 1/8" gaps around them with no visible hinges or grilles. Our Integrated Column models can be seamlessly hidden behind your cabinetry or you can purchase our stainless steel door panel.

SPECIFICATIONS

Accessories (sold separately)

Door panel stainless steel	RD1884L4D
Handle kit Contemporary	AHS-RD84
Handle kit Contemporary	AHD5RDSF
Handle kit Contemporary	AHD5RDSFB
Handle kit Contemporary	AHD3-RD84

Handle kit Professional round	AHC-RD84
Handle kit Professional round	AHC-RD84
Handle kit Professional square	AHV2-RD84
Joiner kit	AJ-RS84LR
Toe kick stainless steel 18"	AKRS1804
Toe kick stainless steel 42"	AKRS4204
Toe kick stainless steel 48"	AKRS4804
Toe kick stainless steel 54"	AKRS5404
Toe kick stainless steel 60"	AKRS6004
Toe kick stainless steel 66"	AKRS6604
Toe kick stainless steel 72"	AKRS7204
Toe kick stainless steel 78"	AKRS7804
Toe kick stainless steel 84"	AKRS8404

Capacity

Total gross capacity	7.8cu ft
Volume	7.8cu ft
Volume freezer	7.8cu ft

Consumption

Energy rating	Energy star
Energy usage	415kWh/year

Features

Adjustable door shelves	4
Adjustable glass cantilevered	•
Door alarm	•

Freezer Features

Automatic ice maker	•
---------------------	----------

Bottle chill	•
Door alarm	•
Fast freeze	•
Freezer bins	4
Glass shelves	3
Ice Boost	•
LED bin lighting	•
LED ceiling lighting	•
LED side lighting	•
SmartTouch interface at	•

Performance

ActiveSmart™ Foodcare	•
Adaptive defrost	•
Dual evaporator	•
Frost free	•
Inverter controlled compressor	•
Sabbath mode	•
Variable temperature zones	2

Power requirements

Rated current	10A
Supply frequency	60Hz
Supply voltage	115V

Product dimensions

Depth	24"
Height	84"
Width	17 3/4"

Safety and compliance

ADA compliant	•
---------------	----------

Warranty

Parts and labor	2 years
Sealed system parts only	5 years

SKU	26116
-----	--------------

The product dimensions and specifications in this page apply to the specific product and model. Under our policy of continuous improvement, these dimensions and specifications may change at any time. You should therefore check with Fisher & Paykel's Customer Care Centre to ensure this page correctly describes the model currently available. ? Fisher & Paykel Appliances Ltd 2020

Other product downloads available at fisherpaykel.com

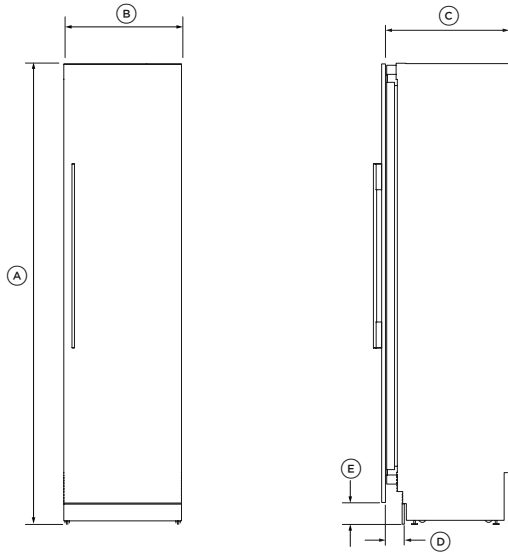
- [↓](#) User Guide
- [↓](#) Energy Label
- [↓](#) User Guide Integrated Refrigerator Freezer
- [↓](#) Service & Warranty
- [↓](#) User Guide EN
- [↓](#) Installation Guide
- [↓](#) Installation Guide - Toe Kick
- [↓](#) Water Filter Replacement Instructions & Installation Guide
- [↓](#) Installation Guide
- [↓](#) Specification Guide Integrated Column Freezer
- [↓](#) Data Sheet Integrated Column Freezer
- [↓](#) Data Sheet Integrated Column Freezer Dual Install (18" + 24")
- [↓](#) Data Sheet Integrated Column Freezer Dual Install (18" + 30")
- [↓](#) Planning Guide Integrated Column Freezer
- [↓](#) Key Purchase Decisions Integrated Column Freezer



A PEACE OF MIND SALE
24 Hours 7 Days a Week Customer Support
T 1.888.936.7872 **W** www.fisherpaykel.com

PRODUCT DIMENSIONS

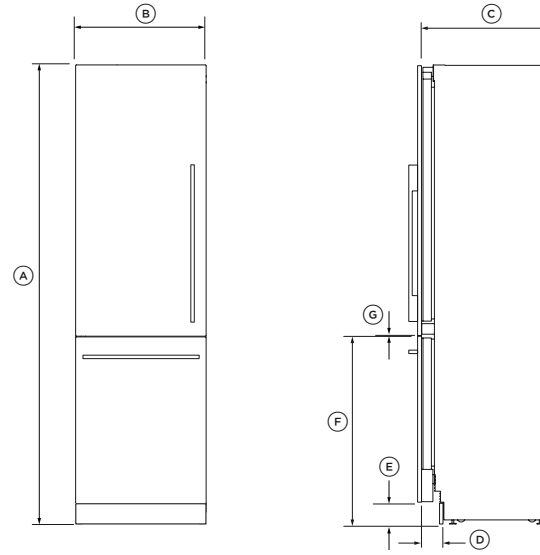
REFRIGERATOR OR FREEZER



FRONT

PROFILE

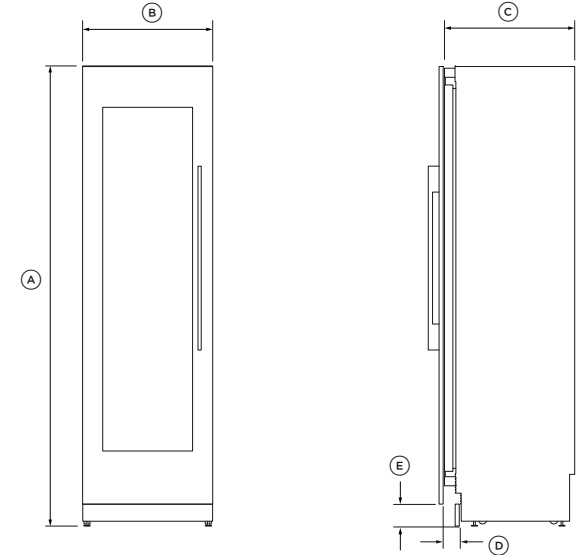
REFRIGERATOR-FREEZER



FRONT

PROFILE

WINE CABINET



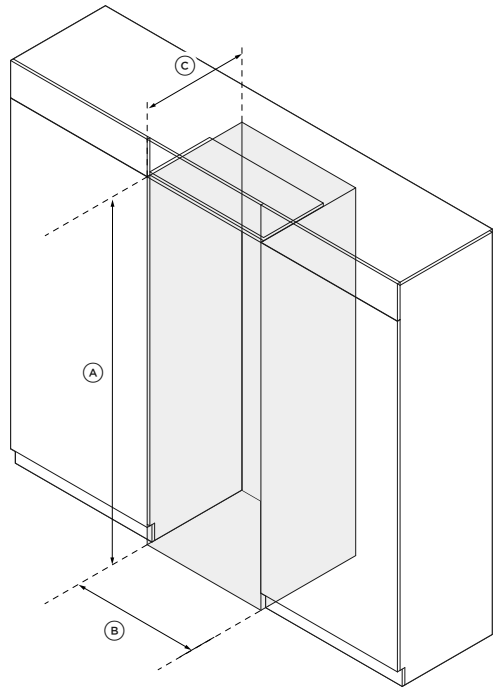
FRONT

PROFILE

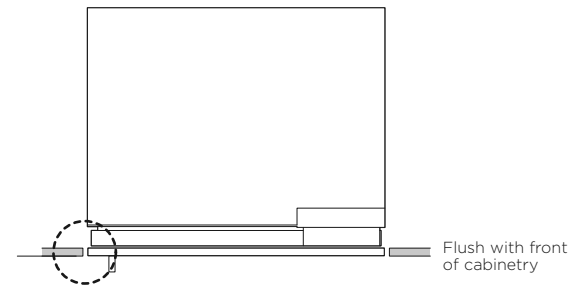
PRODUCT DIMENSIONS	18"		24"		30"	
	IN	MM	IN	MM	IN	MM
Ⓐ Overall height	84	2134	84	2134	84	2134
Ⓑ Overall width	17 3/4	451	23 3/4	603	29 3/4	756
Ⓒ Overall depth (excluding door panel)	24	610	24	610	24	610
Ⓓ Depth of toe kick (measured from back of door panel)	2 7/8-4	73-102	2 7/8-4	73-102	2 7/8-4	73-102
Ⓔ Height from floor to bottom of Stainless steel door/drawer panel	4	102	4	102	4	102
Ⓕ Height from floor to top of drawer panel (Refrigerator-Freezer only)	34 7/16	874	34 7/16	874	34 7/16	874
Ⓖ Gap between door and drawer panels (Refrigerator-Freezer only)	—	—	1/8	3	1/8	3
PRODUCT WEIGHT (WITHOUT PACKAGING)	LB	KG	LB	KG	LB	KG
Refrigerator or Freezer	223	101	258	117	295	134
Refrigerator-Freezer	—	—	313	142	359	163
Wine cabinet	—	—	335	152	—	—

18" model for Freezer only. Wine Cabinet available in 24" only.

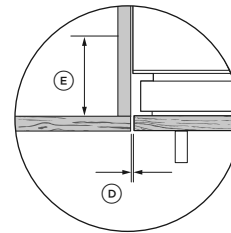
CABINETY DIMENSIONS – SINGLE INSTALLATION



ISOMETRIC

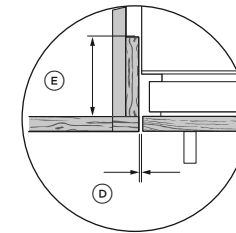


PLAN



UNFRAMED

Aligns appliance with cabinetry



FRAMED

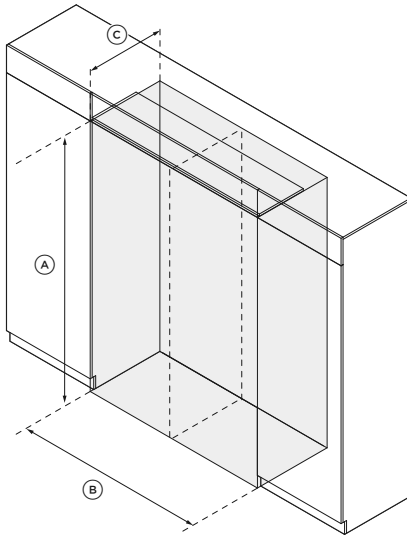
Aligns appliance with frame of cabinetry

CAVITY DIMENSIONS	18"		24"		30"	
	IN	MM	IN	MM	IN	MM
Ⓐ Overall height of cavity	84	2134	84	2134	84	2134
Ⓑ Overall width of cavity	18	457	24	610	24	610
Ⓒ Minimum overall depth of cavity*	25	635	25	635	25	635
Ⓓ Minimum gap from edge of door panel to cabinetry	1/8	3	1/8	3	1/8	3
Ⓔ Minimum required finished return	4	102	4	102	4	102

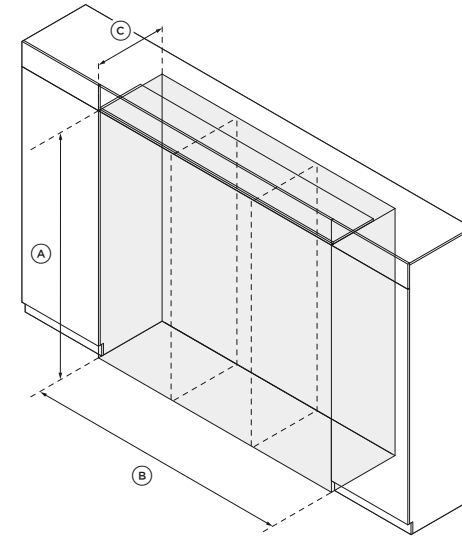
*Assumes a door panel thickness of 3/4" (19mm).

CABINETRY DIMENSIONS – MULTIPLE INSTALLATION

DUAL INSTALL



TRIPLE INSTALL



DUAL INSTALL

CAVITY DIMENSIONS	42"		48"		54"		60"	
	IN	MM	IN	MM	IN	MM	IN	MM
Ⓐ Overall height of cavity	84	2134	84	2134	84	2134	84	2134
Ⓑ Overall width of cavity	42	1067	48	1220	54	1372	60	1524
Ⓒ Minimum overall depth of cavity*	25	635	25	635	25	635	25	635

*Assumes a door panel thickness of 3/4" (19mm).

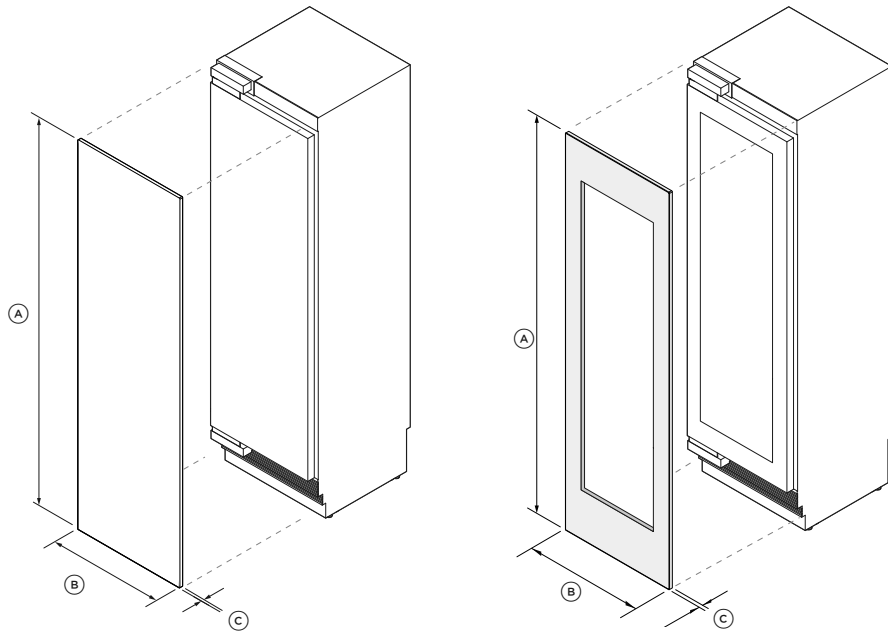
TRIPLE INSTALL

CAVITY DIMENSIONS	66"		72"		78"		84"		90"	
	IN	MM	IN	MM	IN	MM	IN	MM	IN	MM
Ⓐ Overall height of cavity	84	2134	84	2134	84	2134	84	2134	84	2134
Ⓑ Overall width of cavity	66	1677	72	1829	78	1982	84	2134	90	2286
Ⓒ Minimum overall depth of cavity*	25	635	25	635	25	635	25	635	25	635

*Assumes a door panel thickness of 3/4" (19mm).

STAINLESS STEEL DOOR PANEL DIMENSIONS — SINGLE INSTALLATION

REFRIGERATOR OR FREEZER / WINE CABINET

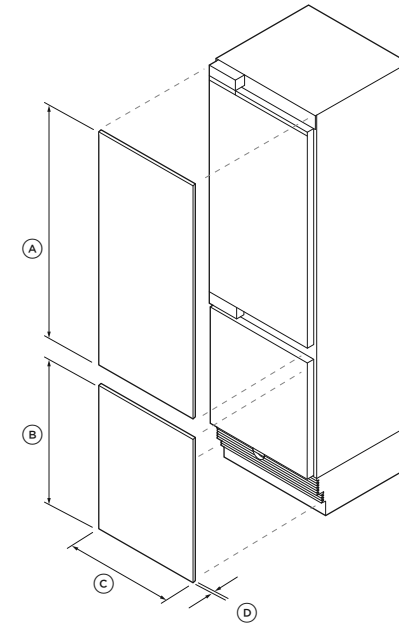


DOOR PANEL DIMENSIONS	18"		24"		30"	
	IN	MM	IN	MM	IN	MM
Ⓐ Height of door panel	79 7/8	2029	79 7/8	2029	79 7/8	2029
Ⓒ Width of door panel	17 3/4	451	23 3/4	603	29 3/4	756
Ⓒ Depth of door panel*	3/4	19	3/4	19	3/4	19

*Excluding handle

DOOR PANEL WEIGHT	18"		24"		30"	
	LB	KG	LB	KG	LB	KG
Weight of Refrigerator or Freezer door panel	44	20	55	25	66	30
Weight of Wine cabinet door panel	—	—	18	8	—	—

REFRIGERATOR-FREEZER



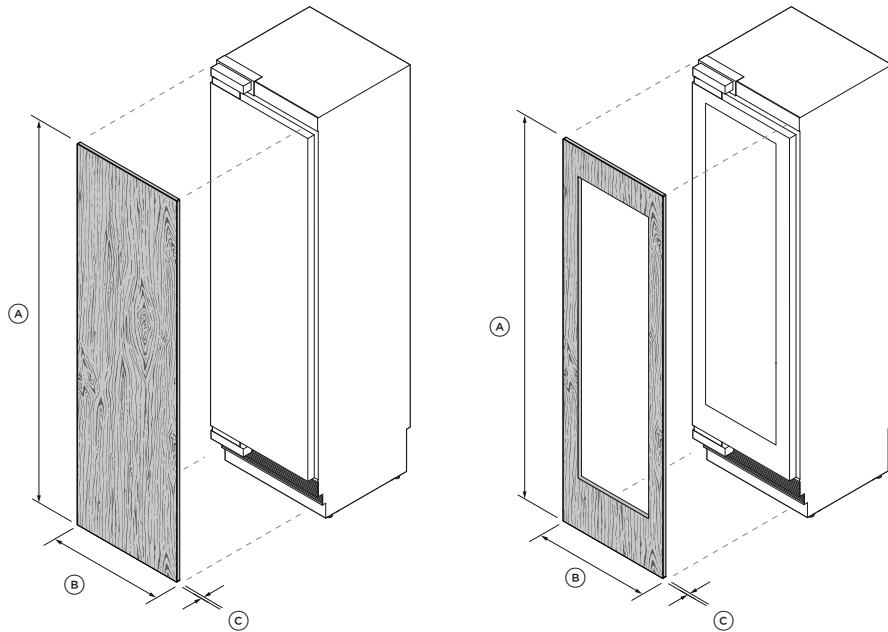
DOOR PANEL DIMENSIONS	24"		30"	
	IN	MM	IN	MM
Ⓐ Height of top door panel	49 3/8	1254	49 3/8	1254
Ⓑ Height of bottom drawer panel	30 3/8	772	30 3/8	772
Ⓒ Width of door panel	23 3/4	603	29 3/4	756
Ⓓ Depth of door panel*	3/4	19	3/4	19

*Excluding handle

DOOR PANEL WEIGHT	24"		30"	
	LB	KG	LB	KG
Weight of top door panel	20	9	22	10
Weight of bottom drawer panel	13	6	15	7

CUSTOM DOOR PANEL DIMENSIONS – SINGLE INSTALLATION

REFRIGERATOR OR FREEZER / WINE CABINET

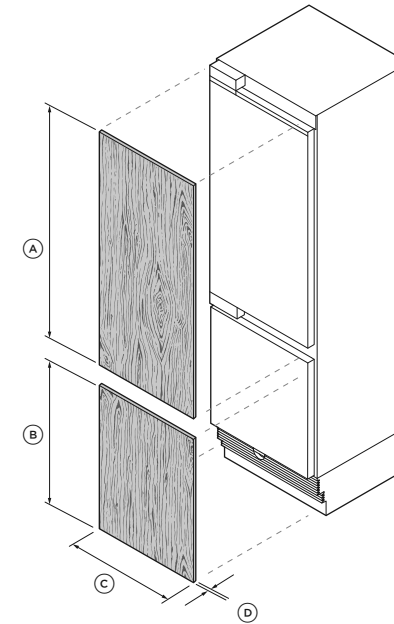


DOOR PANEL DIMENSIONS	18"		24"		30"	
	IN	MM	IN	MM	IN	MM
Ⓐ Height of door panel	77 7/8 - 81 7/8	1978- 2080	77 7/8 - 81 7/8	1978- 2080	77 7/8 - 81 7/8	1978- 2080
Ⓒ Width of door panel	17 3/4	451	23 3/4	603	29 3/4	756
Ⓒ Depth of door panel*	min 5/8 max 1	min 16- max 25	min 5/8 max 1	min 16- max 25	min 5/8 max 1	min 16- max 25

*Excluding handle

DOOR PANEL WEIGHT	18"		24"		30"	
	LB	KG	LB	KG	LB	KG
Weight of Refrigerator or Freezer door panel	max 44	max 20	max 55	max 25	max 66	max 30
Weight of Wine cabinet door panel	—	—	max 55	max 25	—	—

REFRIGERATOR-FREEZER



DOOR PANEL DIMENSIONS	24"		30"	
	IN	MM	IN	MM
Ⓐ Height of top door panel	49 3/8	1254	49 3/8	1254
Ⓑ Height of bottom drawer panel	28 3/8 - 32 3/8	721- 822	28 3/8 - 32 3/8	721- 822
Ⓒ Width of door panel	23 3/4	603	29 3/4	756
Ⓓ Depth of door panel*	min 5/8 max 1	min 16- max 25	min 5/8 max 1	min 16- max 25

*Excluding handle

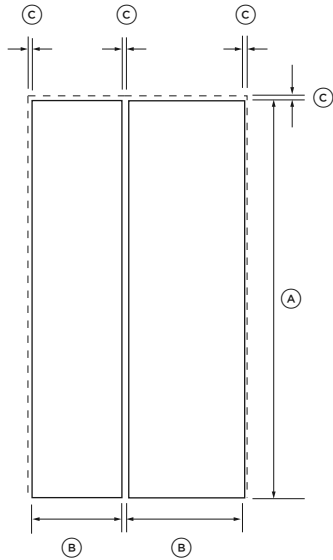
DOOR PANEL WEIGHT	24"		30"	
	LB	KG	LB	KG
Weight of top door panel	max 33	max 15	max 40	max 18
Weight of bottom drawer panel	max 20	max 9	max 24	max 11

For Wine cabinet, the Custom door panel must leave the glass pane visible. A full custom panel sheathing over the glass pane does not meet the specifications of this appliance. For all models, maximum panel weight must not be exceeded.

CUSTOM DOOR PANEL DIMENSIONS – MULTIPLE INSTALLATION

DUAL INSTALL

The illustrations below are examples of custom door panels of different combinations for dual installation. Minimum gaps of 1/8" (3mm) must be retained between door panel side edges and cabinetry regardless of door panel widths.

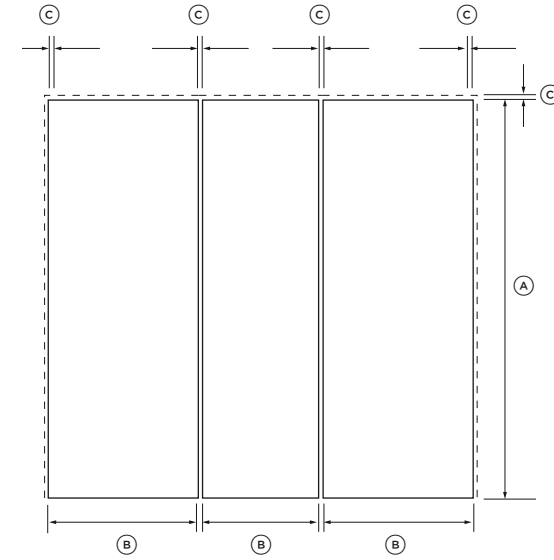


DIMENSIONS	18"		24"		30"	
	IN	MM	IN	MM	IN	MM
Ⓐ Height of door panel	79 7/8	2029	79 7/8	2029	79 7/8	2029
Ⓒ Width of door panel	17 13/16	452	23 13/16	605	29 13/16	757
Ⓒ Minimum clearance between door panels and cabinetry	1/8	3	1/8	3	1/8	3

*Excluding handle

TRIPLE INSTALL

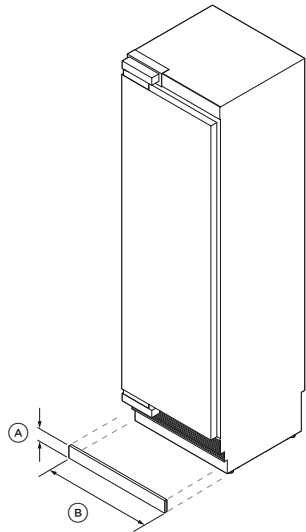
The illustrations below are examples of custom door panels of different combinations for triple installation. Minimum gaps of 1/8" (3mm) must be retained between door panel side edges and cabinetry regardless of door panel widths.



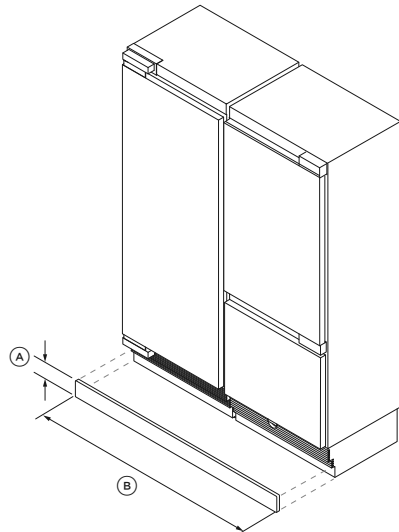
DIMENSIONS	18"		24"		30"	
	IN	MM	IN	MM	IN	MM
Ⓐ Height of door panel	79 7/8	2029	79 7/8	2029	79 7/8	2029
Ⓒ Width of door panel	17 13/16	454	23 13/16	605	29 13/16	757
Ⓒ Minimum clearance between door panels and cabinetry	1/8	3	1/8	3	1/8	3

*Excluding handle

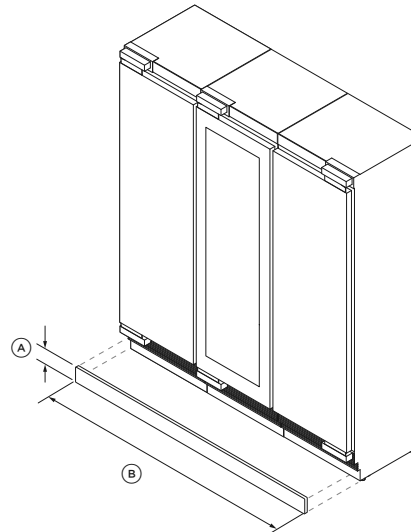
TOE KICK DIMENSIONS



SINGLE INSTALL

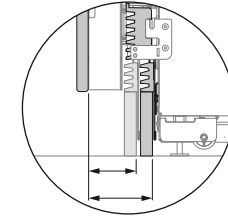


DUAL INSTALL

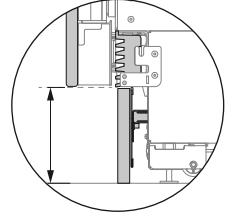


TRIPLE INSTALL

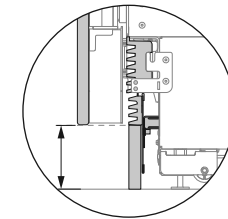
Custom toe kick options



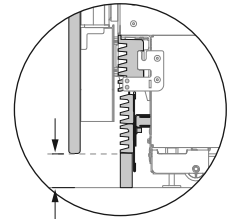
2 7/8" - 4" (73 - 102mm) toe kick clearance measured from rear of door panel



4" (102mm) toe kick height



6" (152mm) toe kick height



2" (51mm) toe kick height (with extra lower grille attached)

SINGLE INSTALL

STAINLESS STEEL/CUSTOM PANEL	18"		24"		30"	
	IN	MM	IN	MM	IN	MM
Ⓐ Height of toe kick*	4	102	4	102	4	102
Ⓑ Width of toe kick	17 7/8	454	23 7/8	606	29 7/8	759

DUAL INSTALL

STAINLESS STEEL/CUSTOM PANEL	36"		42"		48"		54"		60"	
	IN	MM	IN	MM	IN	MM	IN	MM	IN	MM
Ⓐ Height of toe kick*	2-6	50-152	2-6	50-152	2-6	50-152	2-6	50-152	2-6	50-152
Ⓑ Width of toe kick	35 7/8	912	41 7/8	1064	47 7/8	1216	53 7/8	1368	59 7/8	1521

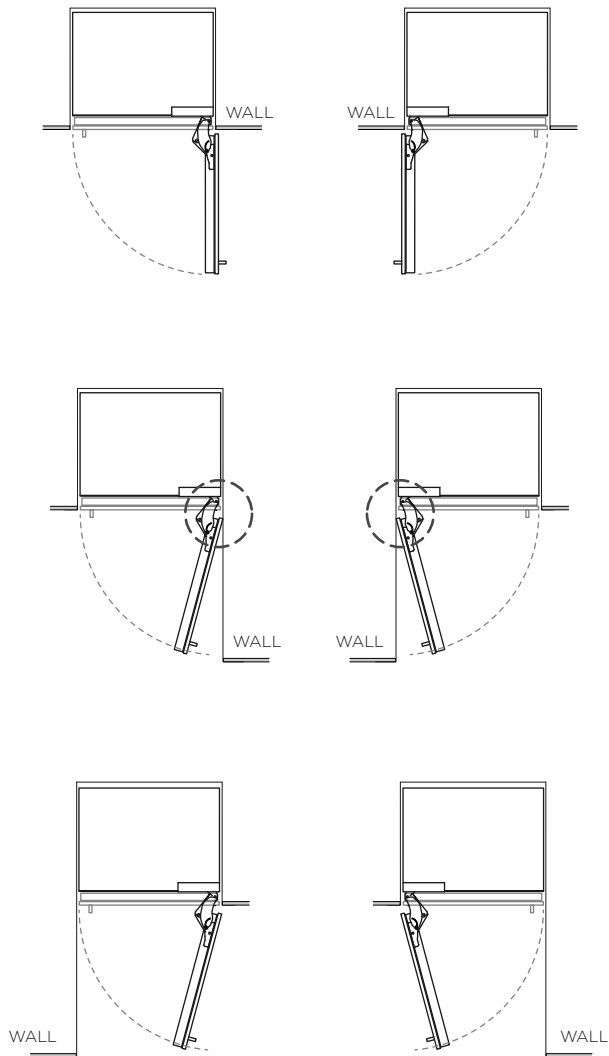
TRIPLE INSTALL

STAINLESS STEEL/CUSTOM PANEL	66"		72"		78"		84"	
	IN	MM	IN	MM	IN	MM	IN	MM
Ⓐ Height of toe kick*	2-6	50-152	2-6	50-152	2-6	50-152	2-6	50-152
Ⓑ Width of toe kick	65 7/8	1674	71 7/8	1826	78	2131	83 7/8	2283

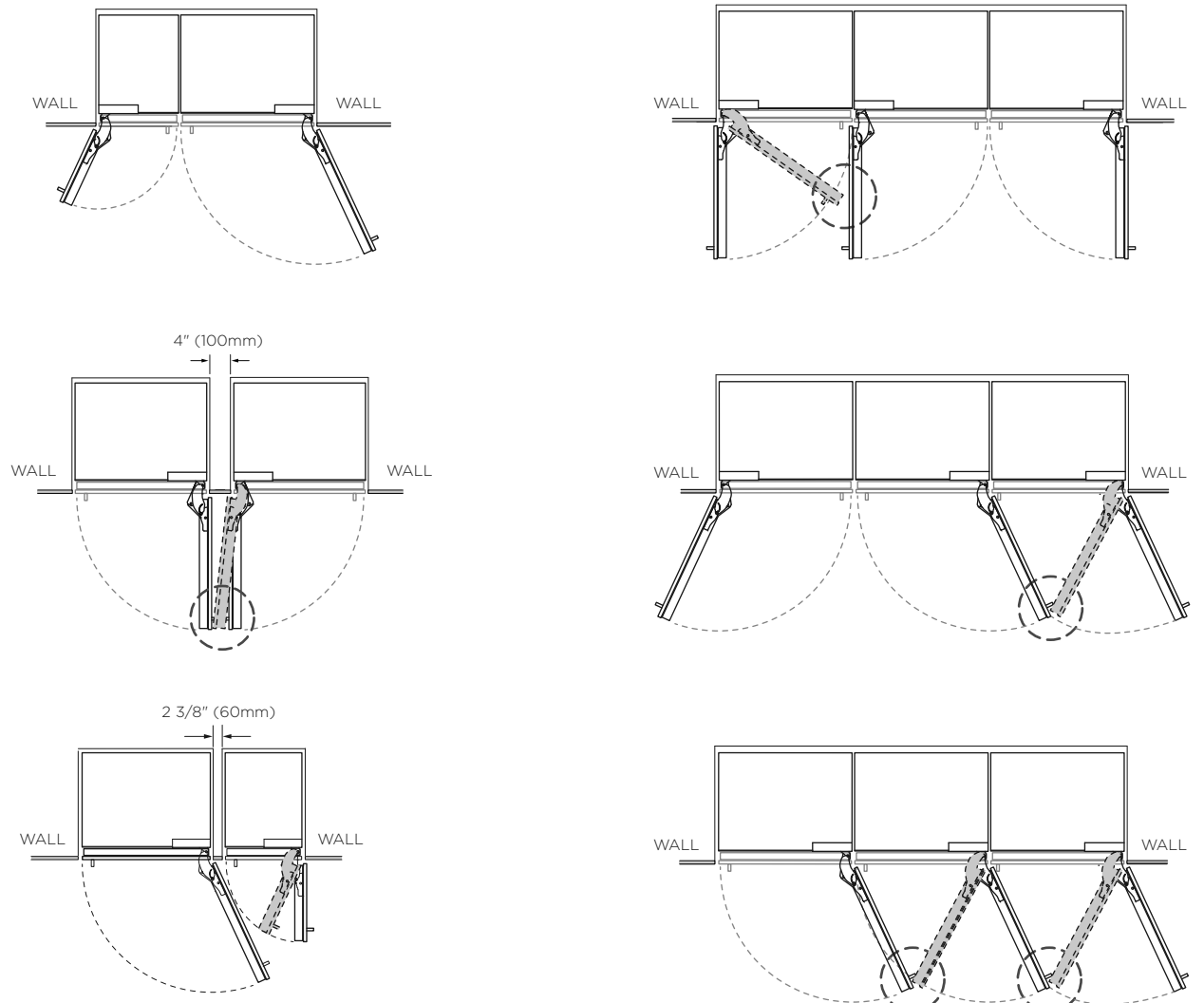
*Standard toe kick height of toe kick is 4" (102mm) for any install options.

INSTALLATION OPTIONS

SINGLE INSTALL

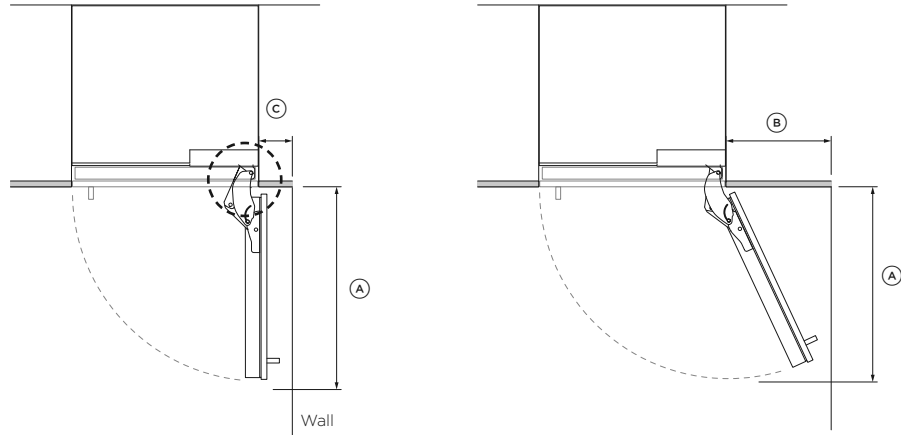


MULTIPLE INSTALL



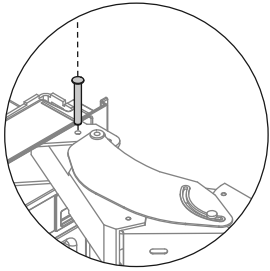
The illustrations above show acceptable installation options with reference to the door opening range and partition (optional). Be aware of clashing (circled) of doors or handles when opening at the same time. If installing a partition between the appliances, ensure there is enough clearance to avoid doors/handles from interfering with each other when opening or closing. If necessary, use a hinge limiting pin to restrict door opening rotation to 90°. Refer to 'Door clearance' for more information.

DOOR CLEARANCE



LIMITED INTERNAL ACCESS

FULL INTERNAL ACCESS



Insert hinge limiting pin

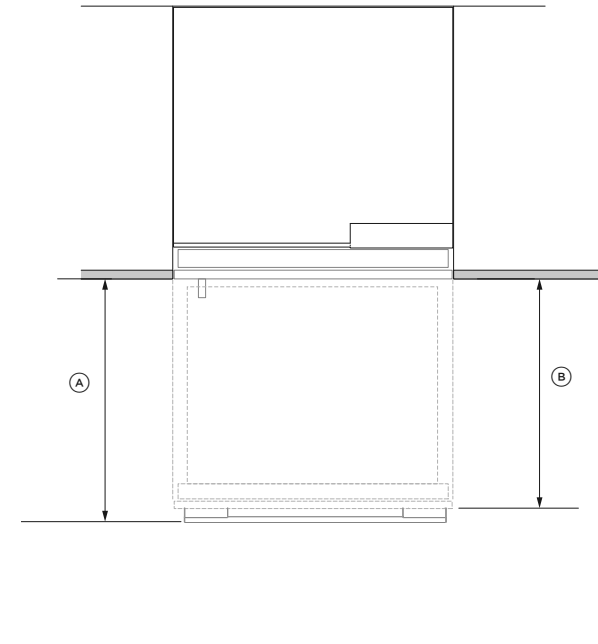
Before pushing the appliance into the cabinetry, insert the supplied hinge limiting pin into the borehole of the top and bottom door hinges. The hinge limiting pin limits door swing to 90°.

For Refrigerator-Freezer models, the hinge limiting pins are inserted into the boreholes of the top and bottom hinges of top door.

DIMENSIONS	18"		24"		30"	
	IN	MM	IN	MM	IN	MM
Ⓐ Width of door (90° open) measured from front of door	20	508	26	660	32	813
Ⓑ Minimum door clearance to adjacent wall* (115° – full internal access)	11 1/2	292	14	356	16 1/2	419
Ⓒ Minimum door clearance* to adjacent wall* (90° – reduced internal access)	4 5/16	110	4 5/16	110	4 5/16	110

DRAWER CLEARANCE

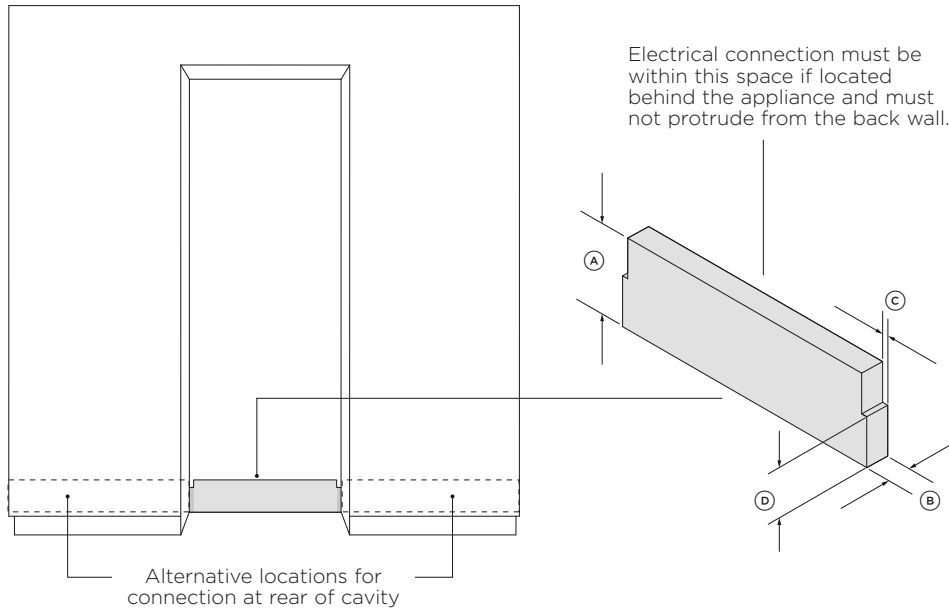
These dimensions apply to Refrigerator-Freezer models only.



DIMENSIONS	24"		30"	
	IN	MM	IN	MM
Ⓐ Maximum drawer extension when open (including handle)*	18 1/8	461	18 1/8	461
Ⓑ Maximum drawer extension when open (excluding handle)	16 9/16	420	16 9/16	420

*Assumes handle depth of 1 5/8" (41mm).

ELECTRICAL AND PLUMBING



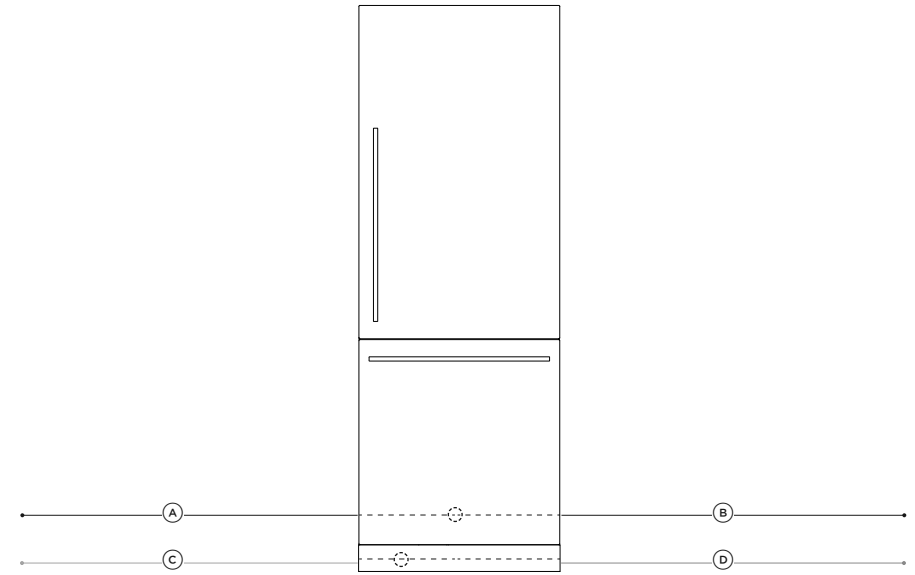
SUPPLY AREA DIMENSIONS	IN	MM
Ⓐ Overall height of supply area	9	229
Ⓑ Overall depth of supply area	1	25
Ⓒ Width of notch in supply area (both sides)	1/2	13
Ⓓ Height of sides of supply area (both sides)	5	127

ELECTRICAL SPECIFICATIONS

Supply	115 VAC, 60 Hz
Service	10 amp circuit
Receptacle	3-prong grounding-type

PLUMBING SPECIFICATIONS

Supply	1/2" (12.7mm) BSP Stainless steel braided hose with adaptor
Pressure	22psi (min 151kPa)–120psi (max 827kPa) @ 68°F (20°C)



POWER CORD	18"		24"		30"	
	IN	MM	IN	MM	IN	MM
Ⓐ Total length exiting from left side of appliance (excluding plug)	54 1/2	1385	71 1/4	1809	68 1/4	1733
Ⓑ Total length exiting from right side of appliance (excluding plug)	55 9/16	1411	72 1/4	1835	69 1/4	1759

WATER HOSE	18"		24"		30"	
	IN	MM	IN	MM	IN	MM
Ⓒ Total length exiting from left side of appliance	89 7/16	2271	86 7/16	2196	68 1/4	1733
Ⓓ Total length exiting from right side of appliance	77	1956	72 1/4	1878	69 1/4	1759

Oven, 30", 17 Function, Self-cleaning

Series 9 | Contemporary

Stainless Steel

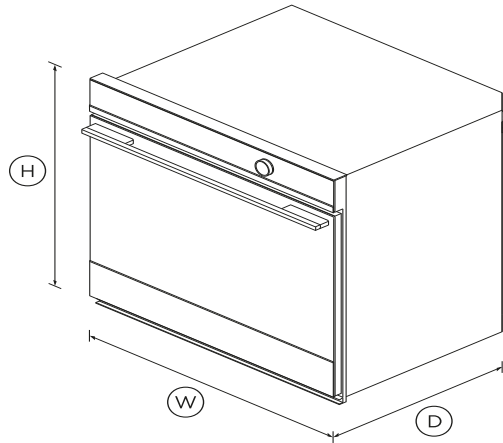


With contemporary styling, advanced cook functions and touchscreen, this large capacity oven is a highlight of our collection.

- Guided cooking using your touchscreen makes it simple to cook by food, function or recipe.
- 4.1 cu ft total capacity, with 17 oven functions including Aero™ Pastry and Roast, Air Fry and Dehydrate
- Non-tip, full extension sliding shelves for safe removal of hot dishes
- Accessories include food probe, smokeless grill tray, and more

DIMENSIONS

Height	27 3/16"
Width	29 15/16"
Depth	23 15/16"



FEATURES & BENEFITS

Cook with confidence

Our touchscreen interface provides an intuitive guided cooking experience that helps deliver perfect results, whether you've been cooking all your life or just starting out. Cook with a favorite method, a hero ingredient, or a go-to cooking function or recipe.

Generous capacity

With its 4.1 cu ft total capacity, you can create several perfectly

cooked dishes at once using multiple shelves.

Multi-function flexibility

The cooking functions have each been tailored, tested, tweaked and perfected to ensure that no matter what you're cooking, you've got the right heat to match. Purchase our Wireless Temperature Sensor accessory and precisely monitor cooking in real time (accessory sold separately).

Exceptional performance

AeroTech circulates heat evenly for a consistent temperature throughout the cavity, helping you ensure perfect results even when cooking on multiple shelves.

Self-cleaning

Our self-clean technology breaks down food residue at a very high temperature, leaving a light ash that's easily removed with a damp cloth. The enamel coated side racks don't need to be removed when using this function.

Design freedom

Available in an elegant black or a stylish black with stainless steel, this oven is designed to fit seamlessly into your kitchen. Premium materials and detailing to support a cohesive, considered kitchen design.

SPECIFICATIONS

Accessories

Broil rack	1 set
Full extension sliding shelves	3 sets
Roasting pan	1
Smokeless broil tray	1
Wired temperature sensor	1

Capacity

Shelf positions	8
-----------------	---

Total capacity	4.1cu ft
Usable capacity	3.6cu ft

Cleaning

Acid resistant graphite enamel	•
Removable oven door	•
Removable shelf runners	•

Controls

Adjustable audio and display	•
Automatic cooking/minute	•
Automatic pre-set	•
Celsius/Fahrenheit	•
Electronic clock	•
Electronic oven control	•
Food probe	•
Guided cooking by food type	•
Intuitive touchscreen display	•
Multi-language display	UK English, US English,
Sabbath mode with Star K	•
Wi-Fi connectivity	•

Functions

Aero Bake	•
Aero Broil	•
Air fry	•
Bake	•
Broil	•
Classic bake	•
Dehydrate	•

Maxi Broil	•
Number of functions	17
Pastry Bake	•
Pizza bake	•
Rapid proof	•
Roast	•
Self-clean	•
Slow cook	•
True Aero	•
Vent bake	•
Warm	•

Performance

AeroTech™ technology	•
Automatic rapid pre-heat	•
Broil power	4400W
Broil width	20"
Number of passes on Maxi	12
Number of passes on broil	10

Power requirements

Amperage	16.6 - 19.4A
Supply voltage	208 / 240V

Product dimensions

Depth	23 15/16"
Height	27 3/16"
Width	29 15/16"

Safety

ADA compliant	•
Balanced oven door	•
Catalytic venting system	•
Control panel key lock	•
CoolTouch door	•
Non-tip shelves	•

SKU	82263
-----	--------------

The product dimensions and specifications in this page apply to the specific product and model. Under our policy of continuous improvement, these dimensions and specifications may change at any time. You should therefore check with Fisher & Paykel's Customer Care Centre to ensure this page correctly describes the model currently available. ? Fisher & Paykel Appliances Ltd 2020

Other product downloads available at fisherpaykel.com

- [↓](#) User Guide
- [↓](#) Service & Warranty
- [↓](#) Installation Guide
- [↓](#) Installation Guide / Guide d'installation
- [↓](#) Specification Guide Oven
- [↓](#) Data Sheet Oven
- [↓](#) Planning Guide - Minimal and Contemporary Triple Stack Flush Install

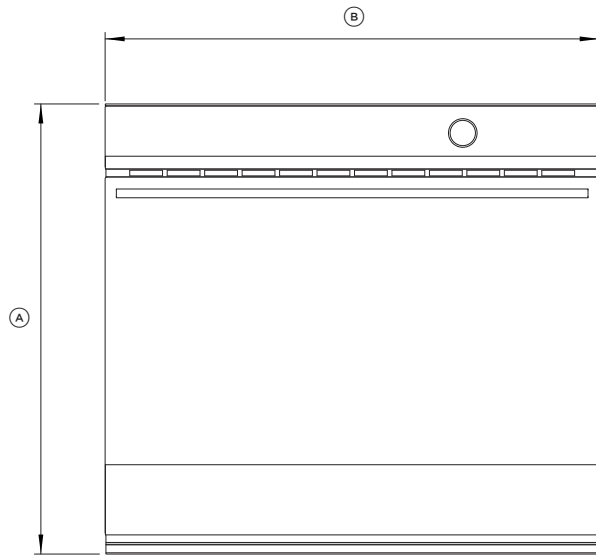


A PEACE OF MIND SALE

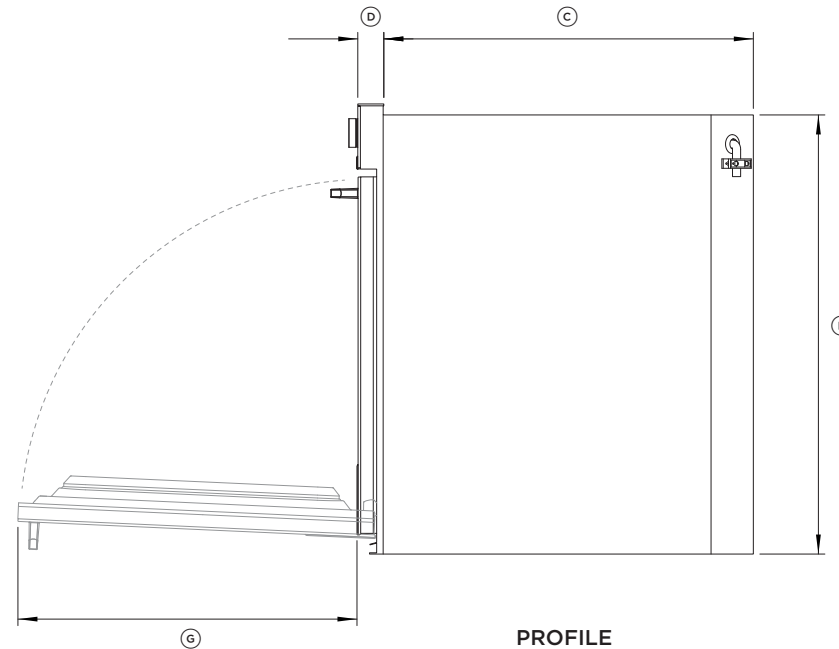
24 Hours 7 Days a Week Customer Support

T 1.888.936.7872 W www.fisherpaykel.com

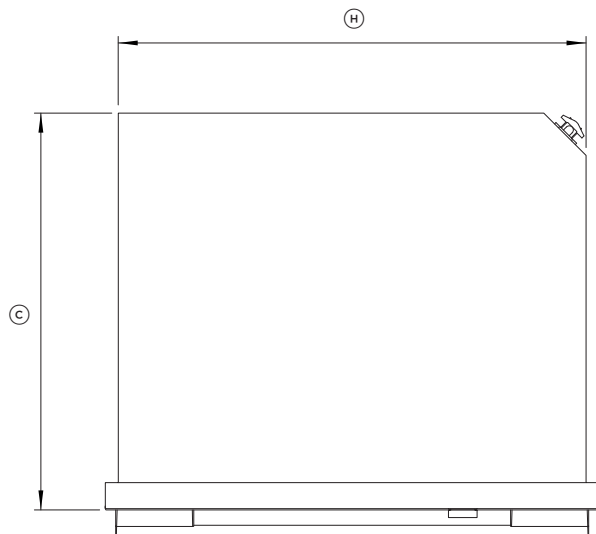
PRODUCT DIMENSIONS – SINGLE OVENS



FRONT



PROFILE

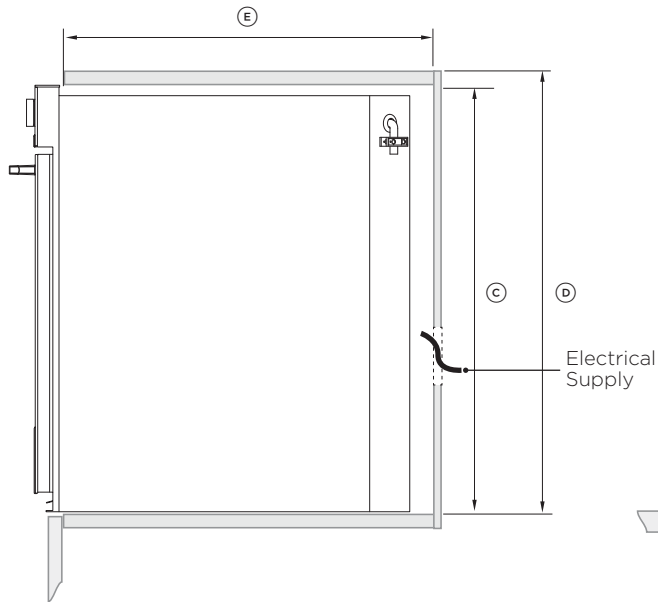


PLAN

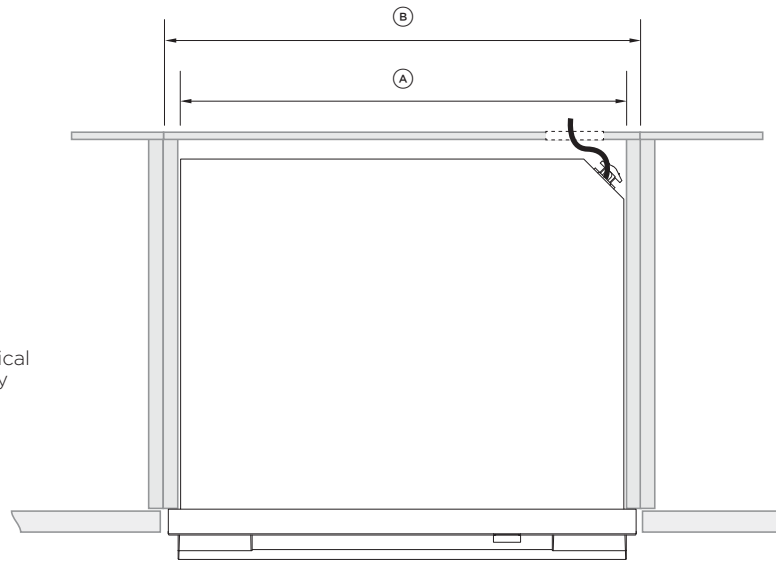
PRODUCT DIMENSIONS	OB30S	
	INCHES	MM
(A) Overall height of product	27 1/8	690
(B) Overall width of product	29 15/16	760
(C) Overall depth of product (excl. handle and dials)	23 15/16	610
(D) Depth of oven front and control panel (excl. handle and dials)	1 1/2	40
(E) Depth of chassis (does not include oven front)	22 3/8	569
(F) Height of chassis	26 9/16	675
(G) Depth of door (open) (measured from front of door)	21 5/8	550
(H) Overall width of chassis	28 5/16	720

Note: If flush installing, you need to replace the lower trim with the supplied long trim at the base of the oven, and the depth of the control panel (D) with the fitted spacer is larger than conventional ovens. Ensure you have created a 1 5/8" (42mm) recess in cabinetry.

CABINETY DIMENSIONS – SINGLE OVENS

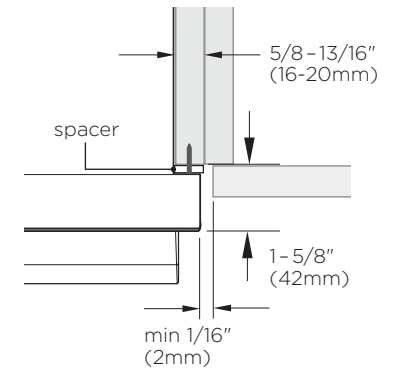


PROFILE

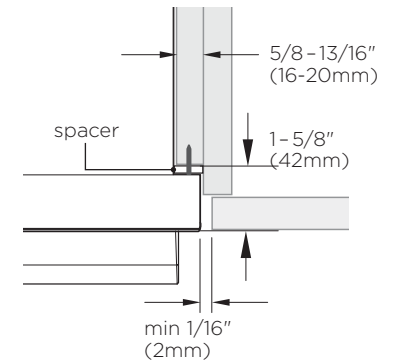


PLAN

PROUD INSTALL



FLUSH INSTALL



CABINETY DIMENSIONS

	OB30S	
	INCHES	MM
Ⓐ Minimum inside width of cavity	28 1/2	724
Ⓑ Overall width of cabinetry	30 1/8	764
Ⓒ Minimum inside height of cavity	26 13/16	681
Ⓓ Overall height of cabinetry	27 3/8	693
Ⓔ Minimum inside depth of cavity		
• Proud install	22 5/8	575
• Flush install	24 3/16	614

Notes:

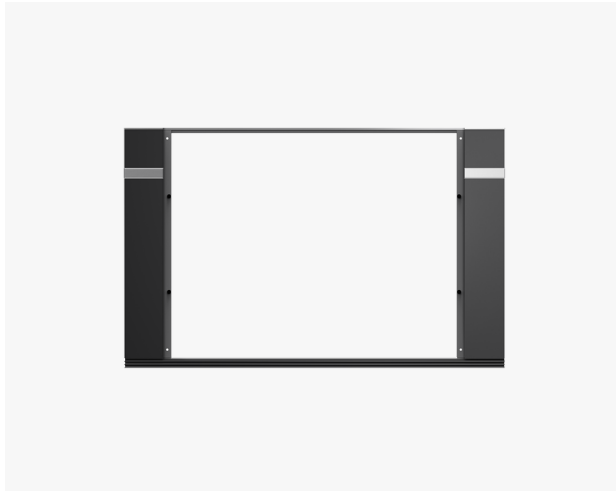
If installing a cooktop above the oven, ensure adequate clearance is provided for the cooktop as per the cooktop manufacturer's instructions.

Ensure the cavity is completely sealed with no gaps. This is to ensure the oven cooling system functions correctly.

Companion Trim Kit, 30"

Series 9 | Contemporary

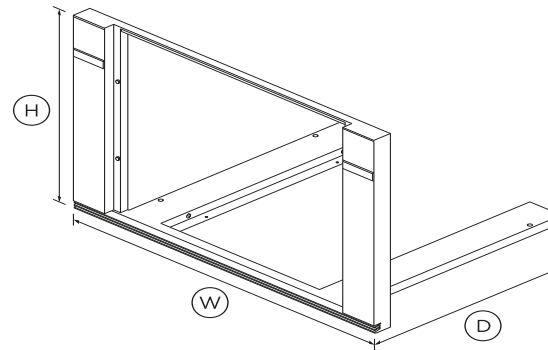
Black



Blends our Companion Built-In Coffee Maker (EB24DSXB1) or Combination Steam Oven (OS24NDB1) into your cabinetry seamlessly.

DIMENSIONS

Height	18 13/16"
Width	29 13/16"



specifications may change at any time. You should therefore check with Fisher & Paykel's Customer Care Centre to ensure this page correctly describes the model currently available. ? Fisher & Paykel Appliances Ltd 2020

SPECIFICATIONS

Product dimensions

Height	18 13/16"
Width	29 13/16"

SKU	81226
-----	-------

The product dimensions and specifications in this page apply to the specific product and model. Under our policy of continuous improvement, these dimensions and



A PEACE OF MIND SALE

24 Hours 7 Days a Week Customer Support

T 1.888.936.7872 **W**www.fisherpaykel.com

Convection Speed Oven 24"

Series 9 | Contemporary

Stainless Steel

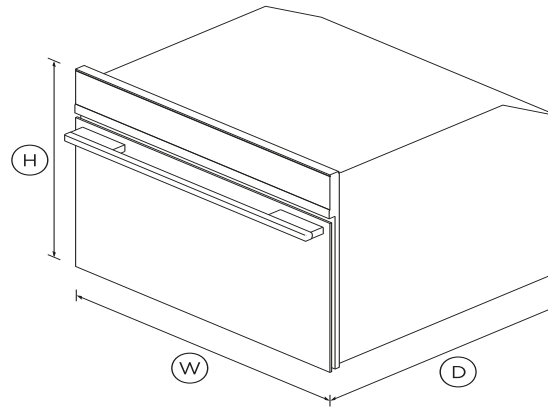


The perfect addition to the kitchen, this Convection Speed Oven provides a variety of fast cooking options including True Convection and Broil.

- 1.3 cu ft total capacity
- Intuitive display with nine oven functions
- Full width grill function
- Easy clean interior

DIMENSIONS

Height	18 1/16"
Width	23 1/2"
Depth	22 1/8"



FEATURES & BENEFITS

SIZED TO SUIT

This compact 24" Convection Speed Oven can be placed almost anywhere. Companion products share the same dimensions and can be installed in multiple configurations to suit your kitchen design and preference.

COOKING FLEXIBILITY

Choose from nine cooking modes including True Convection and Broil. With both microwave and convection oven technology in the same oven, you have more flexibility for your culinary creations.

EASY TO USE

The intuitive touch display shows you all the information you

need, allowing you to easily program in your desired cooking mode and duration.

BEAUTY OF CHOICE

With the choice of a stylish stainless steel or elegant black trim, our Companion products help you achieve a coherent kitchen aesthetic that suits your design style.

EASY CLEANING

This Convection Speed Oven has formed side racks and a stainless steel interior that are easy to clean.

SAFE AND SOUND

The CoolTouch door is safe to touch from the outside, protecting your hands and the surrounding cabinetry.

SPECIFICATIONS

Accessories

Baking pan	1
Glass turntable	1
Wire shelf	1

Accessories (sold separately)

Handle kit Contemporary	Part 81671
Matching Trim Kit	TK30NDB1
Optional lower trim kit	Part 81662

Capacity

Shelf positions	3
Total capacity	1.3cu ft
Usable capacity	1.2cu ft

Cleaning

Easy clean stainless steel •

Consumption

Microwave energy **1.65kWh**

Controls

- Automatic cooking/minute •
- Automatic pre-set •
- Celsius/Fahrenheit •
- Delay start •
- Electronic clock •
- Electronic oven control •
- Guided cooking by food type •
- Halogen lights •
- Intuitive touchscreen display •
- Multi-language display **French, Spanish, UK English,**

Functions

- Broil •
- Convection Broil •
- Defrost by time •
- Defrost by weight •
- Microwave + broil •
- Microwave + ring •
- Microwave cooking •
- Number of functions **9**
- Ring + broil •
- True convection •

Performance

Broil power	1500W
Microwave power	900W
Microwave power levels	6

Power requirements

Amperage	15A
Supply frequency	60Hz
Supply voltage	208 / 240V

Product dimensions

Depth	22 1/8"
Height	18 1/16"
Width	23 1/2"

Safety

- ADA compliant •
- Control panel key lock •
- CoolTouch door •

Warranty

Parts and labor	2 years
-----------------	----------------

SKU	82297
-----	--------------

The product dimensions and specifications in this page apply to the specific product and model. Under our policy of continuous improvement, these dimensions and specifications may change at any time. You should therefore check with Fisher & Paykel's Customer Care Centre to ensure this page correctly describes the model currently available. ? Fisher & Paykel Appliances Ltd 2020

Other product downloads available at fisherpaykel.com

- [↓](#) User Guide
- [↓](#) Service & Warranty
- [↓](#) Installation Guide
- [↓](#) Installation Guide - Cavity Trim Kit
- [↓](#) Specification Guide Convection Speed Oven
- [↓](#) Data Sheet Convection Speed Oven
- [↓](#) Data Sheet Convection Speed Oven with 30" Trim
- [↓](#) Data Sheet Convection Speed Oven with Bottom Trim
- [↓](#) Planning Guide - Minimal and Contemporary Triple Stack Flush Install
- [↓](#) Preliminary Specification Guide Speed Oven

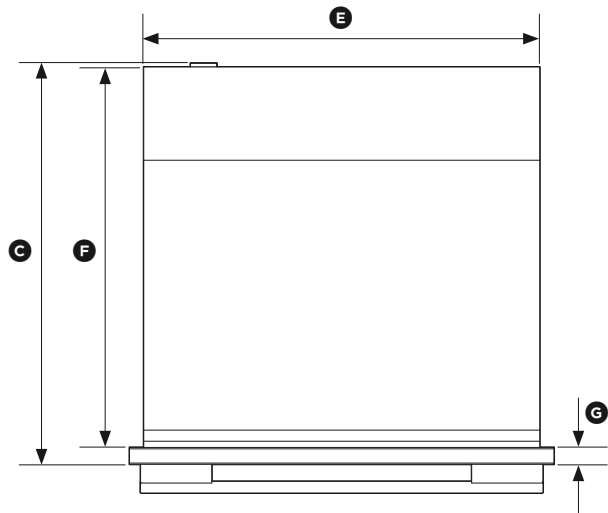


A PEACE OF MIND SALE

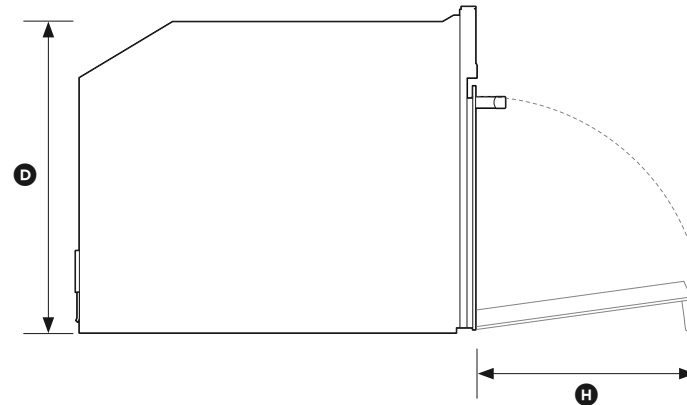
24 Hours 7 Days a Week Customer Support

T 1.888.936.7872 Wwww.fisherpaykel.com

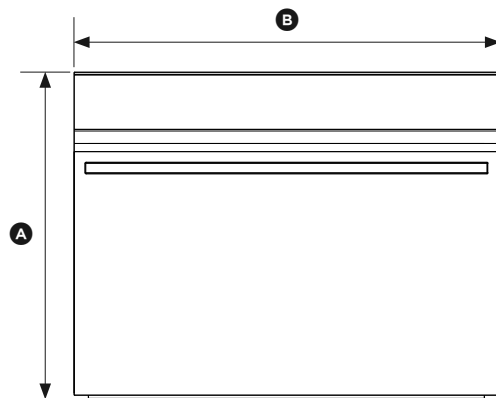
④ PRODUCT DIMENSIONS



TOP



SIDE

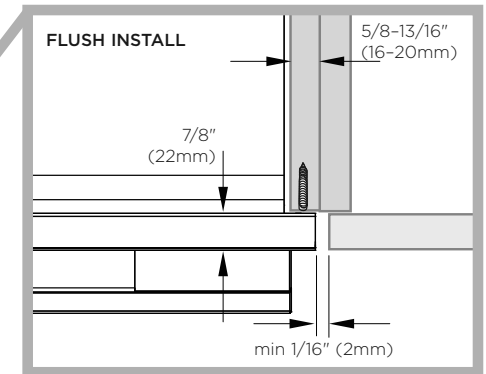
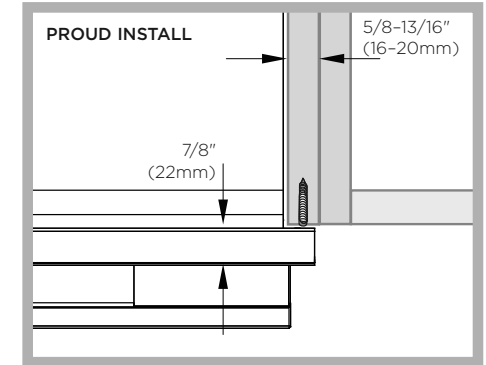
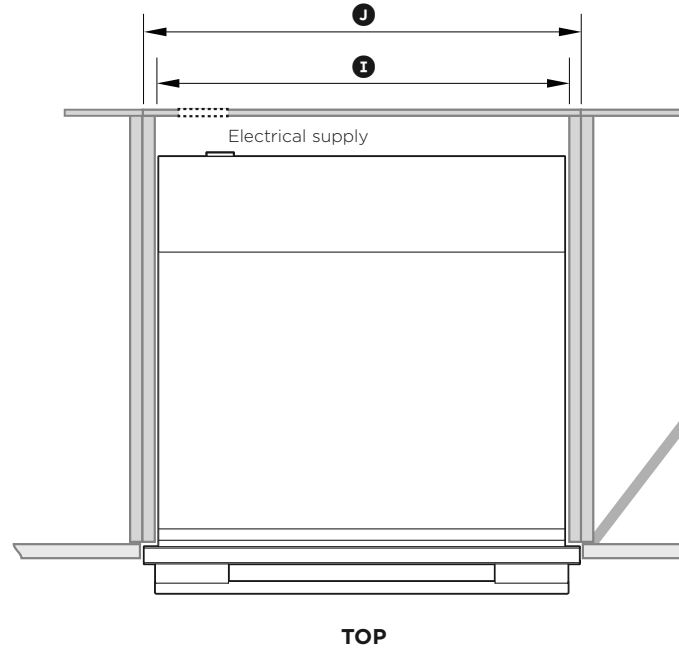
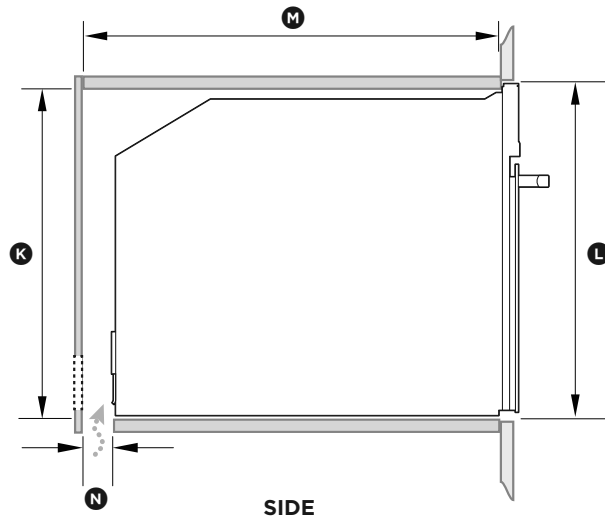


FRONT

PRODUCT DIMENSIONS	OM24N MODELS
	inches (mm)
Ⓐ Overall height of product	18" (458)
Ⓑ Overall width of product	23 7/16" (596)
Ⓒ Overall depth of product (excluding handle and dials)	22 1/8" (562)
Ⓓ Height of chassis	17 1/2" (445)
Ⓔ Width of chassis	21 7/8" (556)
Ⓕ Depth of chassis	21 1/4" (540)
Ⓖ Depth of oven frame and control panel (=distance between front of chassis and front of oven door, excl. knobs)	7/8" (22)
Ⓗ Depth of oven door when fully open (measured from front of control panel)	12 5/8" (320)

5 A CABINETY DIMENSIONS (18 1/8" (460mm) HIGH CAVITY)

- The oven can be installed under a cooktop, in a column, or combined with the companion warmer drawer.
- The cabinet material must be able to withstand heat.
- The oven must be centered within the walls of the cabinet and fixed with the screws and bushings that are provided.



CABINETY DIMENSIONS	OM24N MODELS	
	inches (mm)	
Ⓘ Minimum inside width of cavity	22 1/16" (560)	
Ⓙ Overall width of cabinetry	23 5/8" (600)	
Ⓚ Minimum inside height of cavity	17 3/4" (450)	
Ⓛ Overall height of cabinetry	18 1/8" (460)	
Ⓜ Minimum inside depth of cavity	22 1/16" (560)	
Ⓝ Ventilation air vent	2" (50)	

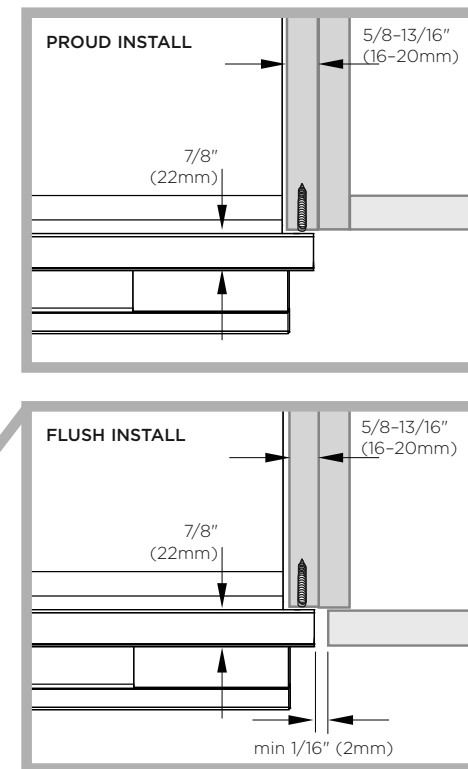
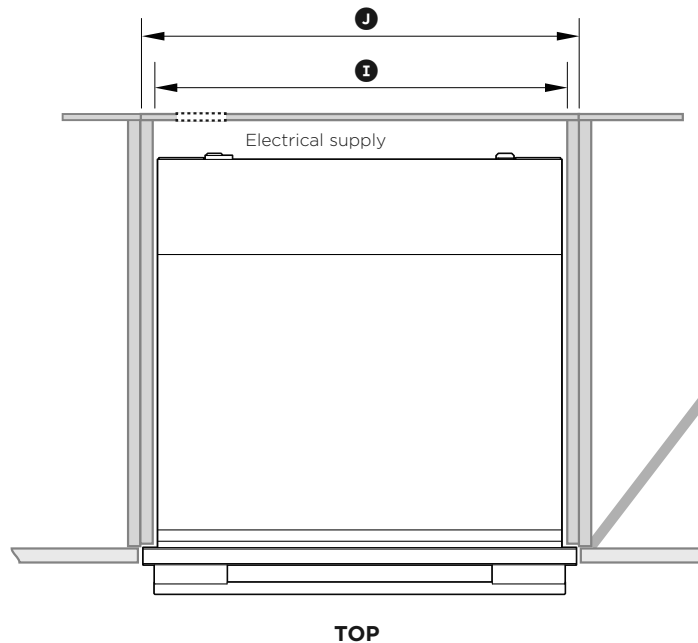
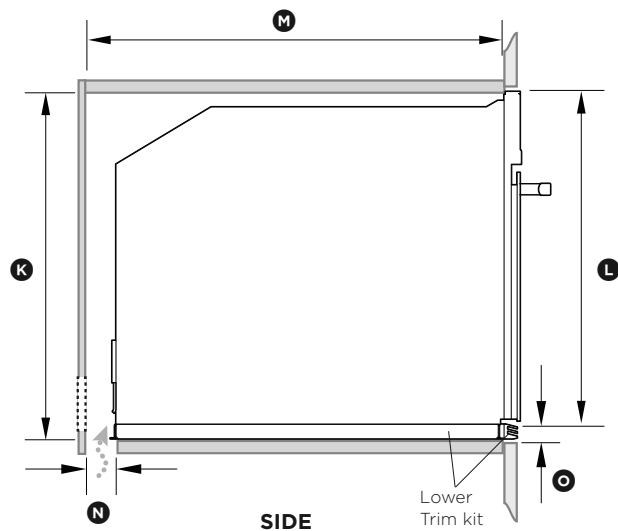
Note: If installing a cooktop above the oven, ensure adequate clearance is provided for the cooktop as per the cooktop manufacturer's instructions.

5 B CABINETY DIMENSIONS (18 7/8" (480mm) CAVITY TRIM KIT)

- The oven must be installed under a cook top, in a column, or combined with the companion warmer drawer.
- The cabinet material must be able to withstand heat.
- The oven must be centred within the walls of the cabinet and fixed with the screws and bushings that are provided.

Lower Trim Kit

The Lower Trim kit shown is available to order separately from fisherpaykel.com. To install the trim kit, refer to the instructions which accompany it.



CABINETY DIMENSIONS

- ⓐ Minimum inside width of cavity
- ⓑ Overall width of cabinetry
- ⓒ Minimum inside height of cavity
- ⓓ Overall height of cabinetry
- ⓔ Minimum inside depth of cavity
- ⓕ Ventilation air vent
- ⓖ Height of trim kit

OM24N MODELS

inches (mm)

ⓐ	Minimum inside width of cavity	22 1/16" (560)
ⓑ	Overall width of cabinetry	23 5/8" (600)
ⓒ	Minimum inside height of cavity	18 1/2" (470)
ⓓ	Overall height of cabinetry	18 7/8" (480)
ⓔ	Minimum inside depth of cavity	22 1/16" (560)
ⓕ	Ventilation air vent	2" (50)
ⓖ	Height of trim kit	13/16" (20)

Note: If installing a cooktop above the oven, ensure adequate clearance is provided for the cooktop as per the cooktop manufacturer's instructions.

Integrated Dishwasher, 24"

Series 5 | Integrated

Panel Ready

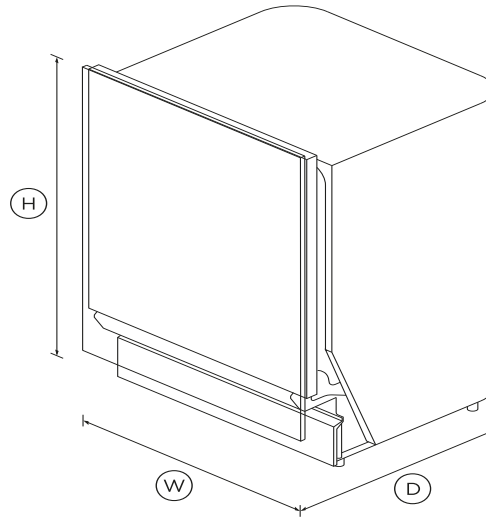


Offering a superior wash performance, this Dishwasher is panel ready and designed to be integrated into your kitchen for a seamless look.

- Customize with your own front panel and handle to match your kitchen cabinetry
- Six wash programs to suit any load, from Delicate to Heavy
- Auto option senses the optimum wash cycle for your dishes

DIMENSIONS

Height	32 5/16 - 36 1/2"
Width	23 3/4"
Depth	22 3/4"



FEATURES & BENEFITS

Sized to suit

Install this fully integrated dishwasher to tall (American size) or short (Euro/ADA size) counter heights, ensuring minimal gaps. Customize with a front panel to match kitchen cabinetry.

A quality wash

This dishwasher offers six wash programs including Auto, which automatically senses the optimal wash cycle for your dishes. A three stage filtration system delivers a superior clean, while the rinse aid indicator reminds you to top up for squeaky-clean

dishes.

Flexible stacking

Flexible, adjustable storage lets you stack even large items with ease. This model features a removable cutlery tray, height adjustable middle rack, cup holders and wine glass supports.

Quiet and reliable

Running at a very low decibel level, this dishwasher does its job without making a fuss. The combination of clever technology and simple mechanics offers greater reliability and superior wash performance.

SPECIFICATIONS

Accessories

Kickstrip

Accessories (sold separately)

Door panel stainless steel	AD-DW ADA
Handle kit Contemporary	AHS-OBDD-60S
Handle kit Contemporary	AHD5-OBDD-60SX
Handle kit Contemporary	AHD5-OBDD-60SB
Handle kit Contemporary	AHD3-OBDD-60S
Handle kit Professional round	AHP3-DWDD-SX

Capacity and loading

Accommodates round plates	10 1/4"
Fold down tines	•
Height adjustable top basket	•
Place settings	12
Wine glass supports	•

Consumption

Energy usage	232kWh/year
Water usage (per wash cycle)	3.4 gal

Controls

- End of cycle beeps
- Energy saving delay start
- Keylock
- Rinse aid indicator light

Features

- Quiet operation
- ThermoDry system
- Three-stage filtration system
- Variable wash pressure

Performance

Noise emissions	48dBA
-----------------	--------------

Power requirements

Amperage	10A
Supply frequency	50Hz
Supply voltage	220 - 240V

Product dimensions

Depth	22 3/4"
Height	32 5/16 - 36 1/2"
Width	23 3/4"

Safety and compliance

- ADA compliant

Warranty

Parts and labor	2 years
-----------------	----------------

Wash Programs

Auto	•
Eco	•
Fast	•
Heavy	•
Medium	•
Rinse	•
Wash programs	6

Water connection

Water pressure	100kPa - 1000kPa
----------------	-------------------------

SKU	81871
-----	-------

The product dimensions and specifications in this page apply to the specific product and model. Under our policy of continuous improvement, these dimensions and specifications may change at any time. You should therefore check with Fisher & Paykel's Customer Care Centre to ensure this page correctly describes the model currently available. ? Fisher & Paykel Appliances Ltd 2020

Other product downloads available at fisherpaykel.com

- [↓](#) Quick Start Guide
- [↓](#) User Guide
- [↓](#) Service & Warranty
- [↓](#) Energy Label Integrated Dishwasher
- [↓](#) Installation Guide



A PEACE OF MIND SALE

24 Hours 7 Days a Week Customer Support

T 1.888.936.7872 Wwww.fisherpaykel.com

4 TECHNICAL DATA

Technical data

Check the electrical data on the rating label (located on the left-hand side of the dishwasher's stainless steel inner door). If the data on the rating label are different to the specification below, consider the data as correct.

	DW24U2I1 models	DW24U6I1 models
Capacity	12 place settings	14 place settings
Mains water pressure	0.03-1 MPa (= 0.3-10 bar)	0.03-1 MPa (= 0.3-10 bar)
Power voltage	120V (60 Hz)	120V (60 Hz)
Maximum current intensity	8.9 A	8.9 A
Total absorbed power	1050 W	1050 W

Anti-flood protection

This dishwasher has anti-flood protection which will stop the water flowing in the event of a leak within the machine.

5 BEFORE INSTALLATION

Unpacking and handling

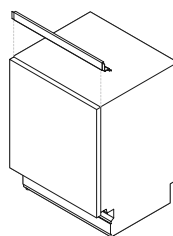
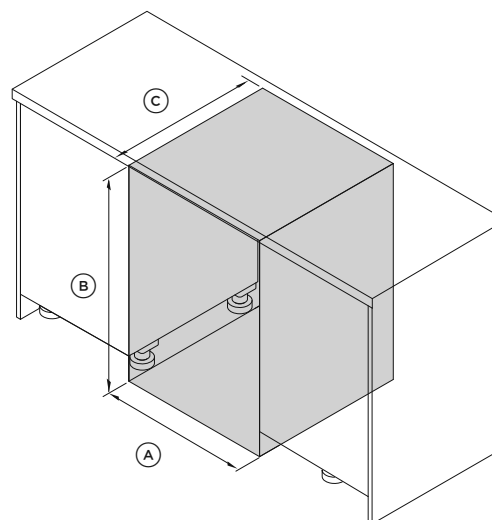
- Check packaging and dishwasher for signs of transport damage. Do not install if the dishwasher is damaged. Contact the dealer where you purchased the dishwasher.
- We recommend to recycle some of the packaging. Check the symbols and labels to ensure if recycling is possible.
- Always be careful with the hoses and power cord at the back of the dishwasher. Ensure they are not squashed, kinked or cut to prevent damage and malfunction.

Connections and services

- Do not use extension cords or multi-outlet power boards to connect the dishwasher to the power supply.
- Do not connect the dishwasher to a water system where the temperature exceeds 140°F (60°C), or where there is no temperature control, eg wetback system, unless the system is fitted with a suitable tempering valve.
- Do not connect the dishwasher to an undersink high-pressure 'push-through' type hot water system to prevent damage to the system.

Accessory door panels installation options

- ADA Door panel (82085)
 - Standard (Tall) door panel with infill bracket (82084)
- Refer to Quick installation guide (595703A) for more information



If opting for the standard install method, an infill bracket must be fitted.

Identify install method

Based on your cabinetry dimensions, identify the appropriate installation method. For further cabinetry dimensions, refer to pages 8-9

Standard install

CABINERY DIMENSIONS	in	mm
(A) Inside width of cavity	24	610
(B) Inside height of cavity*	34 - 36 1/2	864 - 927
(C) Inside depth of cavity**	24	610

* depending on adjustment of levelling feet

** incl. 3/4" (19mm) panels

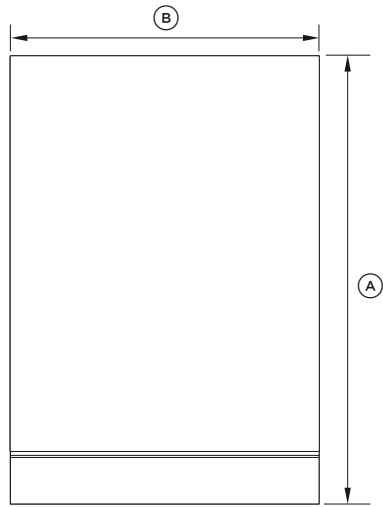
ADA install

CABINERY DIMENSIONS	in	mm
(A) Inside width of cavity	24	610
(B) Inside height of cavity*	32 3/8 - 34 5/8	822 - 880
(C) Inside depth of cavity**	24	610

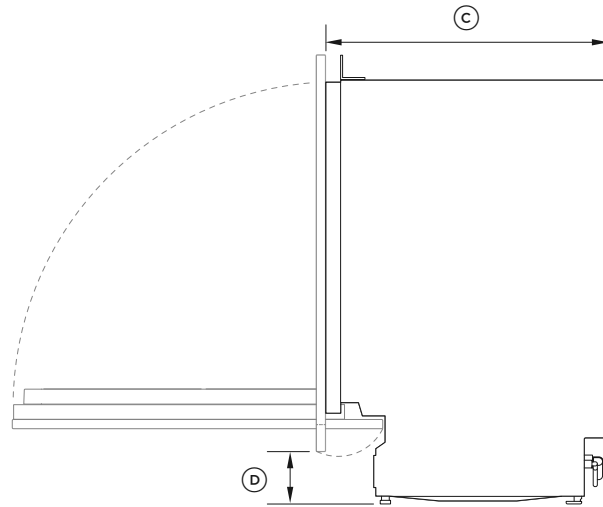
* depending on adjustment of levelling feet

** incl. 3/4" (19mm) panels

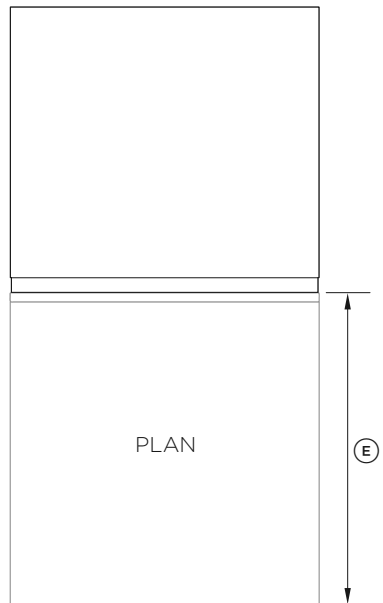
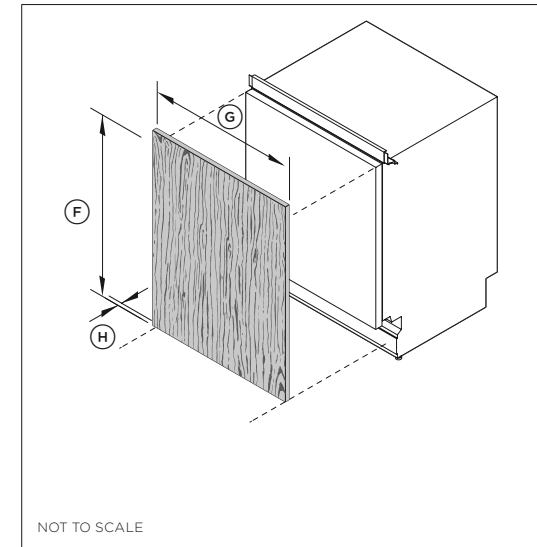
6 APPLIANCE DIMENSIONS: STANDARD



FRONT



PROFILE



PLAN

APPLIANCE DIMENSIONS

(A)	Overall height of appliance*
(B)	Overall width of appliance (excl. side seals)
(C)	Overall depth of appliance (excl. custom panel & handle)
(D)	Height from floor to bottom of of:
	• custom door panel
	• accessory door panel
(E)	Depth of open door (measured from front of chassis) (excl. custom panel)

* depending on adjustment of levelling feet

DW24U6I1/DW24U2I1 models

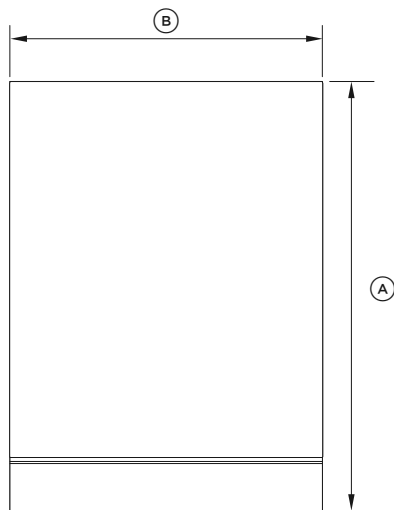
	in	mm
(A)	34 - 36 1/2	864 - 927
(B)	23 3/4	603
(C)	22 3/4	579
(D)		
• custom door panel	4 - 8	100 - 200
• accessory door panel	4 - 6 3/8	100 - 160
(E)	23 7/8	606

DOOR PANEL DIMENSIONS

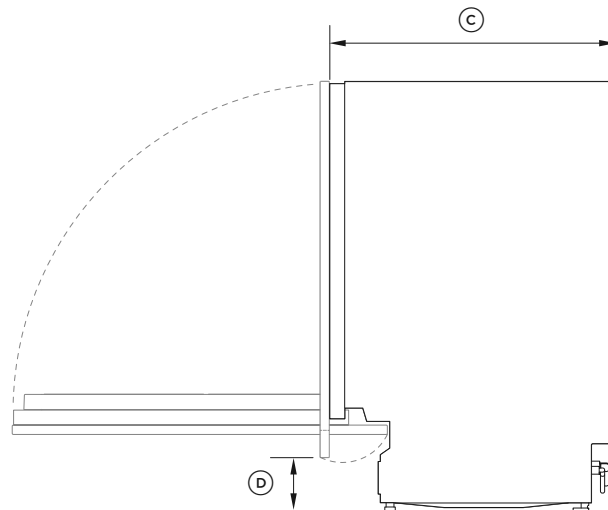
	CUSTOM PANEL		STAINLESS STEEL PANEL	
	in	mm	in	mm
(F) Height*	28 1/4 - 30 1/4	717 - 769	29 3/4	756
(G) Width*	23 7/16 - 23 13/16	596 - 605	23 7/16	595
(H) Depth*	5/8 - 3/4	16 - 19	3/4	19

* depending on cabinetry dimensions

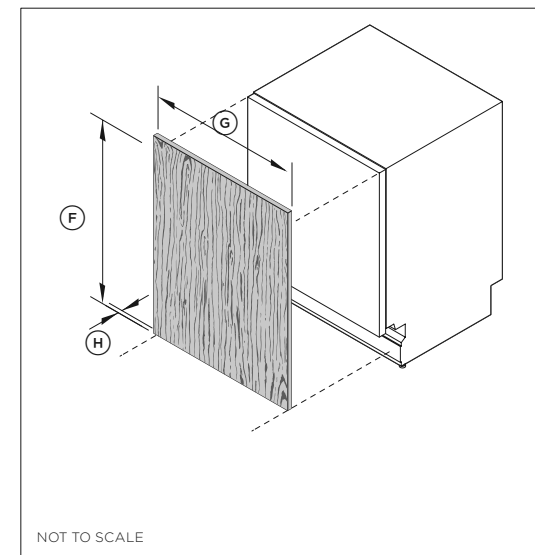
6 APPLIANCE DIMENSIONS: ADA



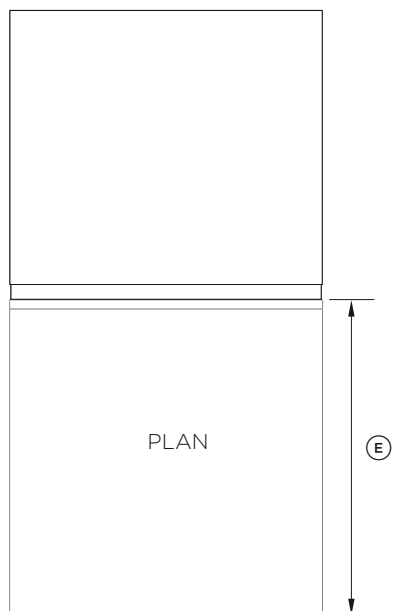
FRONT



PROFILE



NOT TO SCALE



PLAN

APPLIANCE DIMENSIONS

	DW24U611/DW24U211 models	
	in	mm
(A) Overall height of appliance*	32 5/16 - 34 5/8	821-880
(B) Overall width of appliance (excl. side seals)	23 3/4	603
(C) Overall depth of appliance (excl. custom panel & handle)	22 3/4	579
(D) Height from floor to bottom of of:		
• custom door panel	4 - 8	100 - 200
• accessory door panel	4 - 6 3/8	100 - 160
(E) Depth of open door (measured from front of chassis) (excl. custom panel)	23 7/8	606

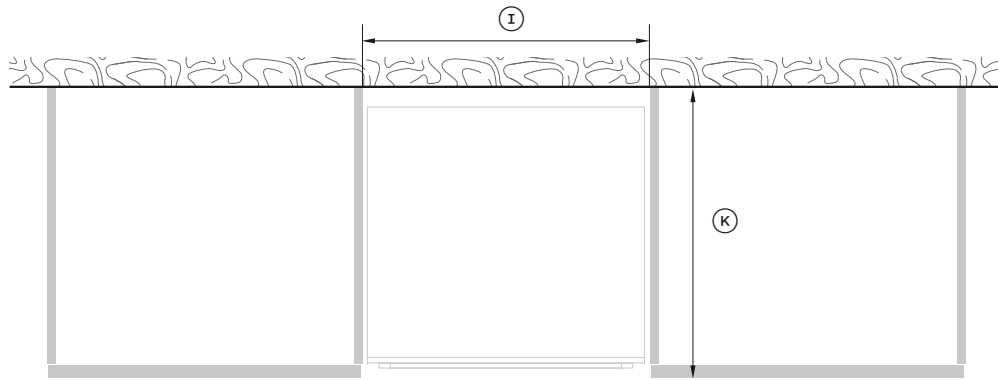
* depending on adjustment of levelling feet

DOOR PANEL DIMENSIONS

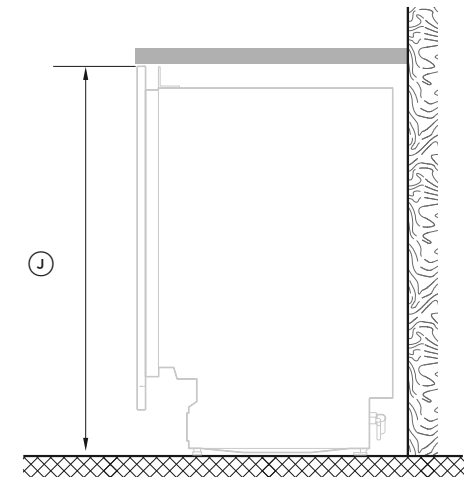
	CUSTOM PANEL		STAINLESS STEEL PANEL	
	in	mm	in	mm
(F) Height*	26 1/2 - 28 1/4	674 - 717	28 1/8	714
(G) Width*	23 7/16 - 23 13/16	596 - 605	23 7/16	595
(H) Depth*	5/8 - 3/4	16 - 19	3/4	19

* depending on cabinetry dimensions

⑦ CABINETY DIMENSIONS: STANDARD



PLAN



PROFILE

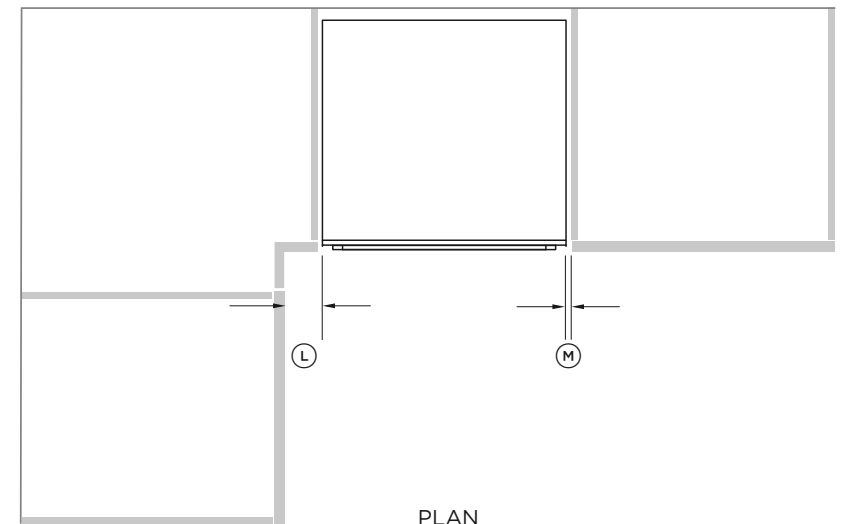
DW24U6I1/DW24U2I1 models

CABINETY DIMENSIONS		
	in	mm
Ⓘ Inside width of cavity	24	610
⓵ Inside height of cavity*	min 34 max 36 1/2	864 927
Ⓚ Inside depth of cavity (incl. 3/4" (19mm) panels)	24	610

* depending on adjustment of levelling feet

DW24U6I1/DW24U2I1 models

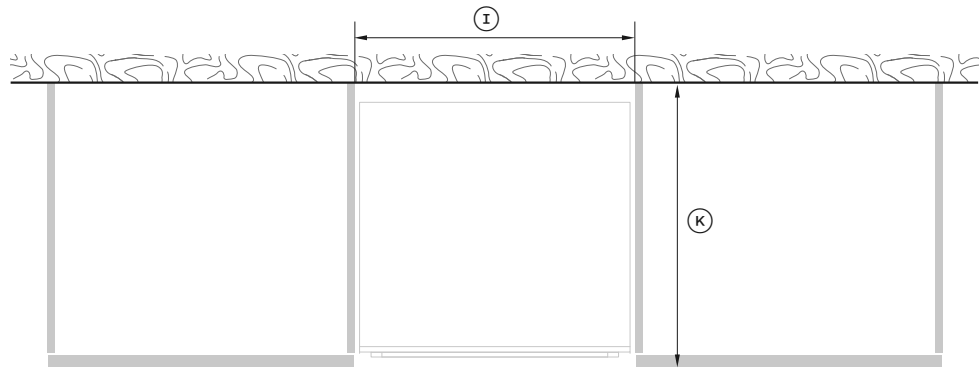
CLEARANCE DIMENSIONS		
	in	mm
Ⓛ Clearance from corner cupboard	1/2	13
Ⓜ Clearance to adjacent cupboard door	min. 1/16	2



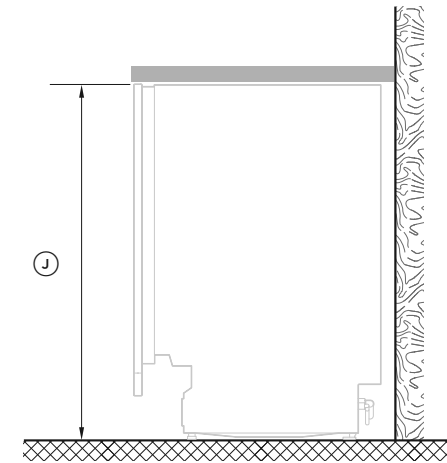
PLAN

Before installing the standard (tall) door panel, an infill bracket must be attached as a cosmetic feature to fill the gap between the top of the dishwasher and underside of cabinet top.

⑦ CABINETY DIMENSIONS: ADA



PLAN



PROFILE

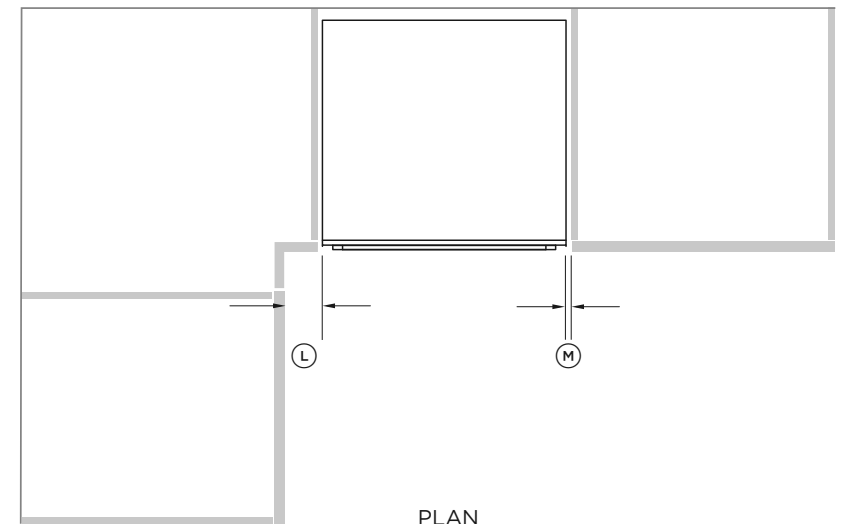
DW24U6I1/DW24U2I1 models

CABINETY DIMENSIONS		
	in	mm
Ⓘ Inside width of cavity	24	610
⓵ Inside height of cavity*	32 3/8 - 34 5/8	822 - 880
Ⓚ Inside depth of cavity (incl. 3/4" (19mm) panels)	24	610

* depending on adjustment of levelling feet

DW24U6I1/DW24U2I1 models

CLEARANCE DIMENSIONS		
	in	mm
Ⓛ Clearance from corner cupboard	1/2	13
Ⓜ Clearance to adjacent cupboard door	min. 1/16	2



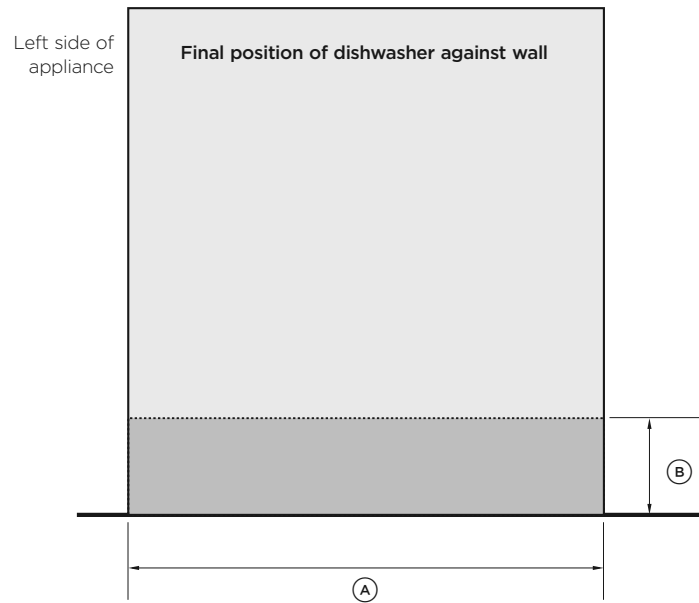
PLAN

8 ELECTRICAL AND PLUMBING PREPARATION

Select plumbing option

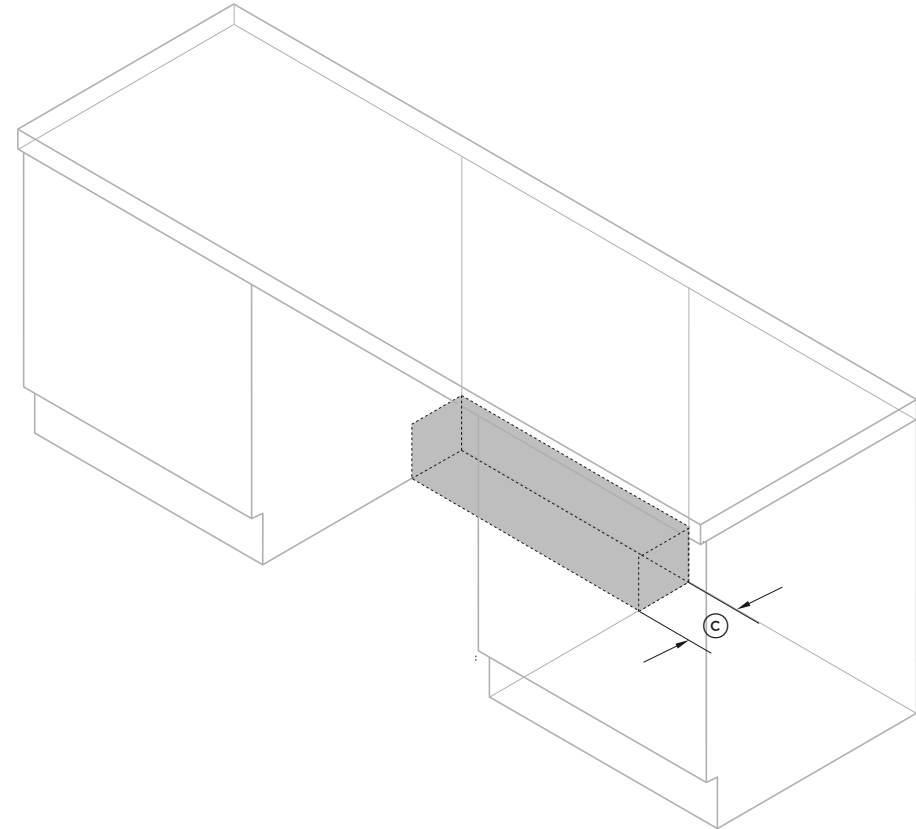
- Hose connection
- Copper pipe connection

Refer to 'Plumbing and Drainage options' (page 16) for more information.

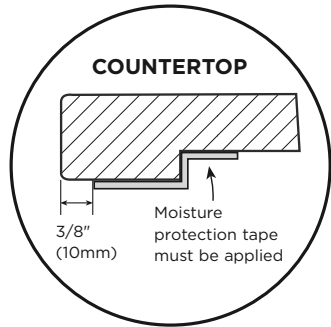


Supply area dimensions

SECTION	inches	mm
(A)	24	610
(B)	4 15/16	125
(C)	2	50



9 CAVITY PREPARATION



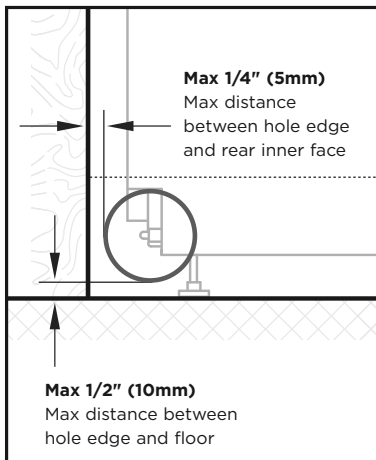
IMPORTANT!

The power outlet must be located in a cabinet adjacent to the dishwasher cavity. 110-120 VAC max. 15 A

Note: if no side partition is present, a timber bracing can be constructed for securing to.

WARNING!

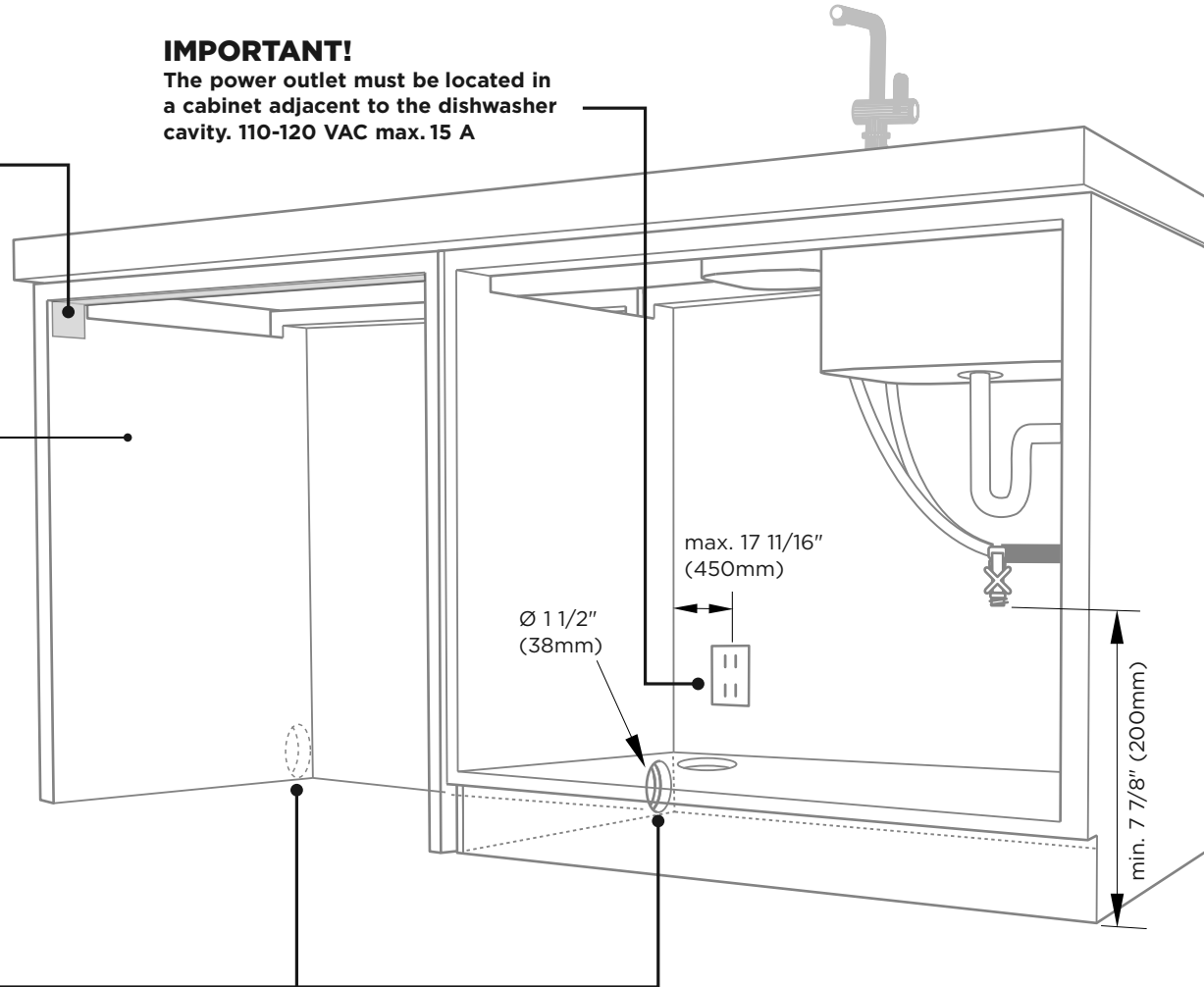
Incorrect placement of the hole will result in damage to hoses.



Service Holes

Can be located either side of dishwasher, close to the rear face and the floor, as illustrated, for access to the water supply and drain.

- If the hole is through wood, make sure its edges are smooth and rounded.
- If the hole is through metal, ensure you fit the supplied Edge Protector to prevent damage to the power cord.



Water Connection

Recommended **HOT**
(Maximum 140°F/60°C).

Supplied hose to suit 3/8" (9mm) male compression fitting.

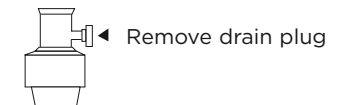
Water Pressure

Water softener models
Max. 1 MPa (145 psi)
Min. 0.1 MPa (14.5 psi)

Models without water softener
Max. 1 MPa (145 psi)
Min. 0.03 MPa (4.3 psi)

IMPORTANT!

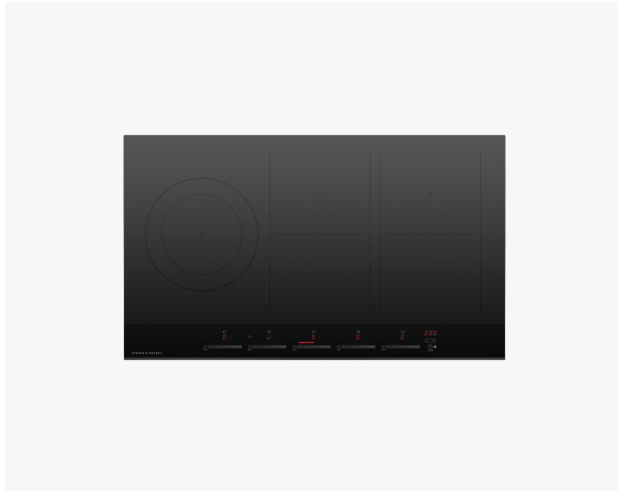
When connecting drain line to disposer, check to be sure that drain plug has been removed. Dishwasher will not drain if plug is left in place.



Induction Cooktop, 36", 5 Zones with SmartZone

Series 7 | Minimal

Black Glass



This Series 9 cooktop is a joy to use, with the instant response and energy efficiency of induction technology.

- Immediate heat response and extremely accurate temperature control
- Child and pet safe - cooktop remains cool to touch until a pot or pan is placed on the surface
- PowerBoost activates a very high heat, bringing liquid to boil in less than a minute
- Easily control each cook zone with Touch&Slide, including pairing cook zones to create a large SmartZone

DIMENSIONS

Height	3 7/8"
Width	35 7/17"
Depth	20 7/8"

FEATURES & BENEFITS

Complementary design

The subtle black glass and durable matte black detailing are designed to pair with the Minimal style Series 9 Ovens. With premium styling and detailing, these cooktops seamlessly blend with other appliances for a cohesive, considered kitchen design.

Enhanced features

PowerBoost and GentleHeat deliver either very high or very low heat, fast. Perfect for specialized cooking tasks such as searing meat and melting chocolate. An integrated timer ensures a great result every time

Instant response

Go from a boil to a simmer in seconds. Touch&Slide controls react immediately when you adjust the temperature so you don't waste time in the kitchen.

Safer choice

Induction cooktops only start heating your pot or pan once you've placed it on the ceramic surface and stop as soon as you remove it - so you don't have to worry about curious little fingers or leaving a cook surface on.

Easy cleaning

The surface around your cookware stays cool when you cook - preventing baked-on spills and making cleaning up a breeze. The ceramic cooktop surface, including anodized detailing for durability, just needs a quick wipe after use to maintain its good looks.

Superior efficiency

Less heat is wasted during induction cooking because only the cookware is heated, not the cooktop surface. This makes induction cooking more energy-efficient than electric or gas cooktops.

SPECIFICATIONS

Burner ratings

Max burner power	Yes
------------------	-----

Cleaning

Flat easy clean glass surface	•
-------------------------------	---

Controls

Auto cut-off timer for each	•
Minute timer	•
Soft-touch electronic controls	•
Touch and slide controls	•

Performance

Auto rapid heat	•
Dual zones	•
Gentle heat	•
Heat settings	9
Induction cooking technology	•
PowerBoost	•
SmartZone	•

Power requirements

Amperage	43A
----------	-----

Supply frequency	60Hz
Supply voltage	240V

Product dimensions

Depth	20 7/8"
Height	3 7/8"
Width	35 7/17"

Safety

ADA compliant	•
Individual hot surface	•
Keylock	•
Pan detection system	•
Safety time out	•
Spillage auto off	•
Surface hot indicators	•

Warranty

Parts and labor	2 years
-----------------	----------------

Zone ratings

Centre	1850/2600W
Left front zone (PowerBoost)	2100W (3700W)
Left rear zone (PowerBoost)	2100W (3700W)
PowerBoost	up to 5500W
Right front zone (PowerBoost)	2100W (3700W)
Right rear zone (PowerBoost)	2100W (3700W)

Zones

Number of elements	5
--------------------	----------

SKU **81972**

The product dimensions and specifications in this page apply to the specific product and model. Under our policy of continuous improvement, these dimensions and specifications may change at any time. You should therefore check with Fisher & Paykel's Customer Care Centre to ensure this page correctly describes the model currently available. © Fisher & Paykel Appliances Ltd 2020

Other product downloads available at fisherpaykel.com

- [↓](#) User Guide
- [↓](#) Service & Warranty
- [↓](#) Installation Guide Induction Cooktop
- [↓](#) Data Sheet Induction Cooktop

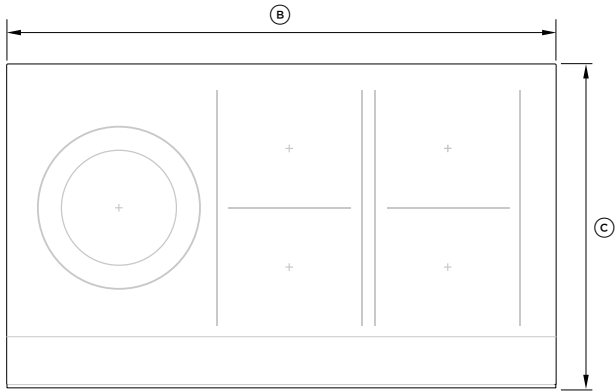


A PEACE OF MIND SALE

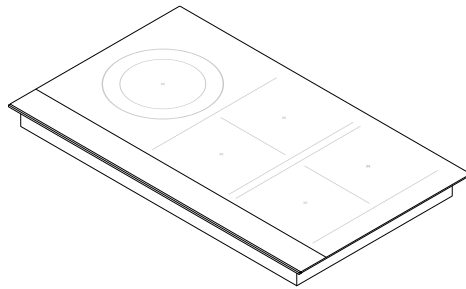
24 Hours 7 Days a Week Customer Support

T 1.888.936.7872 W www.fisherpaykel.com

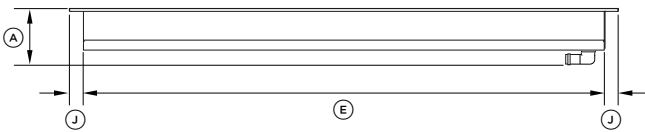
PRODUCT DIMENSIONS – 36" MODEL



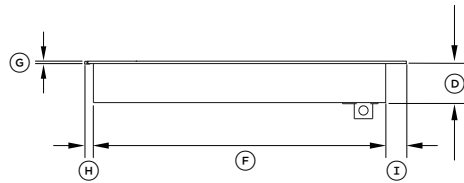
PLAN



ISOMETRIC



FRONT



PROFILE

PRODUCT DIMENSIONS	C1365DTB	
	IN	MM
Ⓐ Overall height of cooktop*	3 3/8	86
Ⓑ Overall width of cooktop	35 3/8	899
Ⓒ Overall depth of cooktop	20 7/8	530
Ⓓ Height of chassis	2	50
Ⓔ Width of chassis	33 3/4	858
Ⓕ Depth of chassis	19 1/16	484
Ⓖ Height of cooktop glass**	1/4	6
Ⓗ Depth of front overhang of cooktop glass***	1/2	13
Ⓘ Depth of rear overhang of cooktop glass	1 5/16	33
Ⓙ Depth of side overhang of cooktop glass	13/16	21

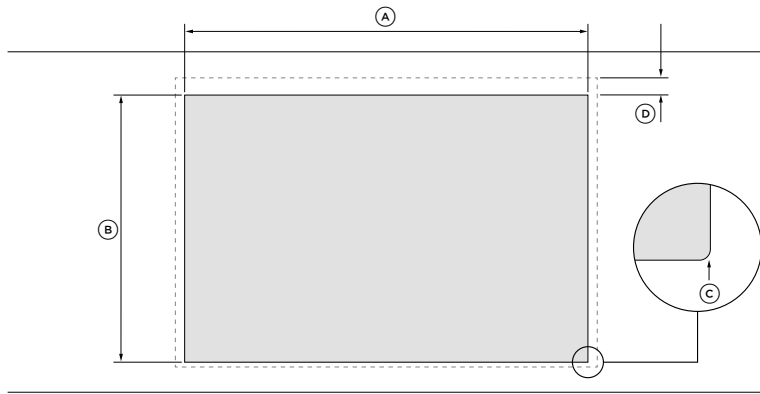
* Includes conduit junction

** Includes flange and tape

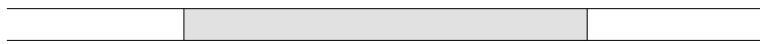
***Includes front trim

CUTOUT DIMENSIONS – 36" MODEL

PROUD INSTALLATION



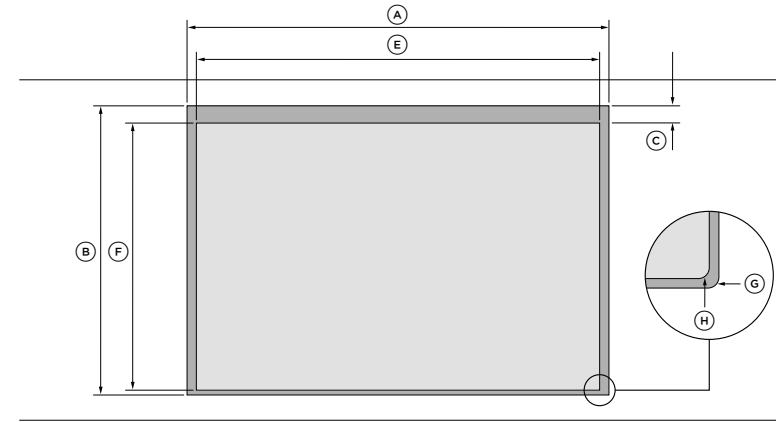
PLAN



FRONT

CUTOUT DIMENSIONS	CI365DTB	
	IN	MM
Ⓐ Overall width of cutout	34 1/4	870
Ⓑ Overall depth of cutout	19 7/16	494
Ⓒ Corner radius of cutout	max 3/8	max 10
Ⓓ Offset overhang allowance	1 9/16	39

FLUSH INSTALLATION



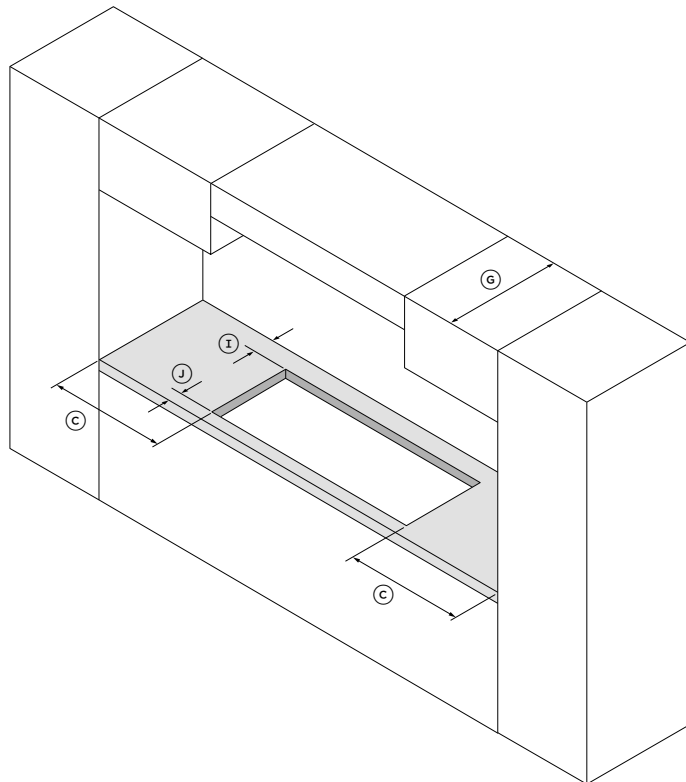
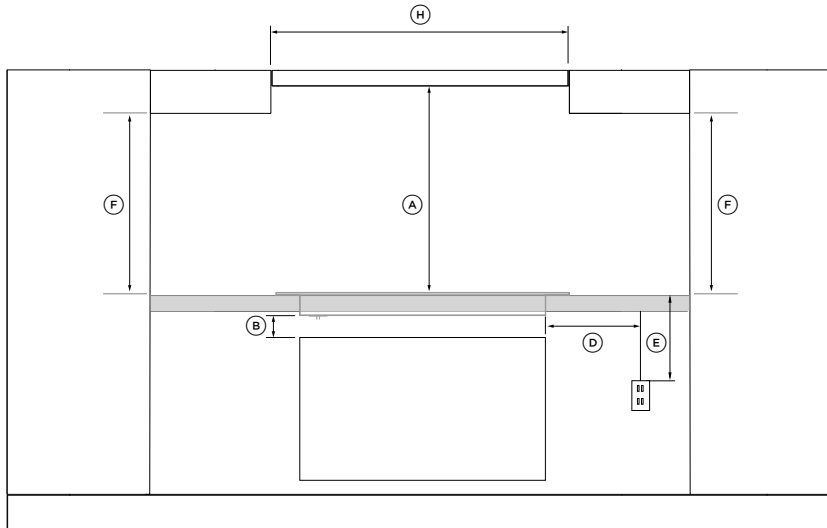
PLAN



FRONT

CUTOUT DIMENSIONS	CI365DTB	
	IN	MM
Ⓐ Overall width of routed recess	35 5/8	905
Ⓑ Overall depth of routed recess	21 1/16	535
Ⓒ Offset overhang allowance	1 9/16	39
Ⓓ Height of routed recess	1/4	6
Ⓔ Width of cutout	34 1/4	870
Ⓕ Depth of cutout	19 7/16	494
Ⓖ Corner radius of routed recess	max 1/16	2
Ⓗ Corner radius of cutout	max 3/8	10

CLEARANCE DIMENSIONS — 36" MODEL



Combustible surface

Any materials of a building structure or decorative structure made of wood, compressed paper, plant fibres, vinyl/plastic or other materials that are capable of transferring heat or being ignited and burned. Such material shall be considered combustible even though flame-proofed, fire-retardant treated or surface-painted, or plastered.

CLEARANCE DIMENSIONS

- Ⓐ Minimum clearance from glass surface to:
- Unprotected overhead cabinet centered above cooktop**
 - Protected overhead cabinet centered above cooktop**
 - Range hood**

- Ⓑ Minimum clearance from bottom of chassis to top of any appliance, companion product or obstruction below cooktop

- Ⓒ Minimum clearance from side edges of cutout to nearest combustible surface

- Ⓓ Maximum distance from right edge of cutout to center of junction box

- Ⓔ Minimum clearance below top of countertop to junction box

- Ⓕ Minimum clearance from countertop to overhead cabinet (not directly above the cooktop)

- Ⓖ Maximum depth of overhead cabinetry

- Ⓗ Minimum distance between overhead cabinets either side of the cooktop

- Ⓘ Minimum clearance from rear edge of cutout to nearest combustible surface

- Ⓝ Minimum clearance from front edge of cutout to front edge of counter

CI365DTB

	IN	MM
Ⓐ	30	762
	24	610
	25 5/8	650
Ⓑ	2 9/16	65
Ⓒ	1 3/16	30
Ⓓ	30	762
Ⓔ	9	230
Ⓕ	23 1/2	450
Ⓖ	13	330
Ⓗ	12 3/8	315
Ⓘ	1 3/16	30
Ⓝ	1 3/8	35

*To eliminate the risk of burns or fire by reaching over heated surface units, cabinet storage space located above the surface units should be avoided. If cabinet storage is to be provided, the risk can be reduced by installing a range hood that projects horizontally a minimum of 5" (127mm) beyond the bottom of the cabinets.

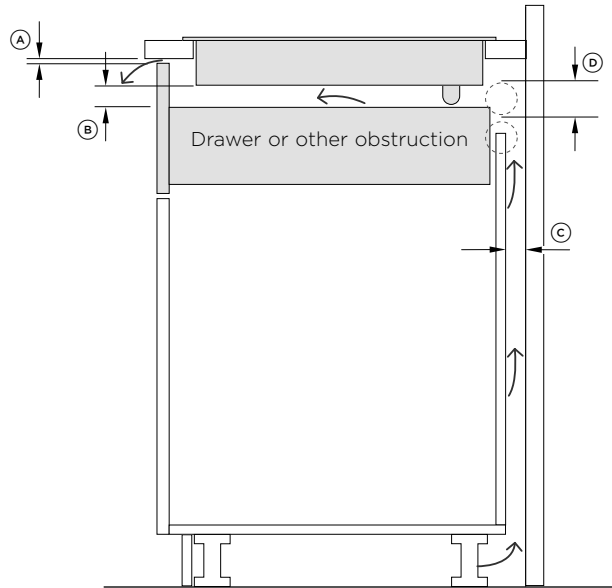
†Ⓐ = 30" (762mm) minimum clearance between the top of the cooking surface and the bottom of an unprotected wood or metal cabinet; or Ⓐ = 24" (610mm) minimum when bottom of wood or metal cabinet is protected by not less than 1/4"-thick flame-retardant millboard covered with not less than No. 28 MSG sheet steel, 0.015"-thick stainless steel, 0.024"-thick aluminum, or 0.020"-thick copper.

**Refer to your range hood installation guide for further details on clearances.

VENTING CLEARANCES

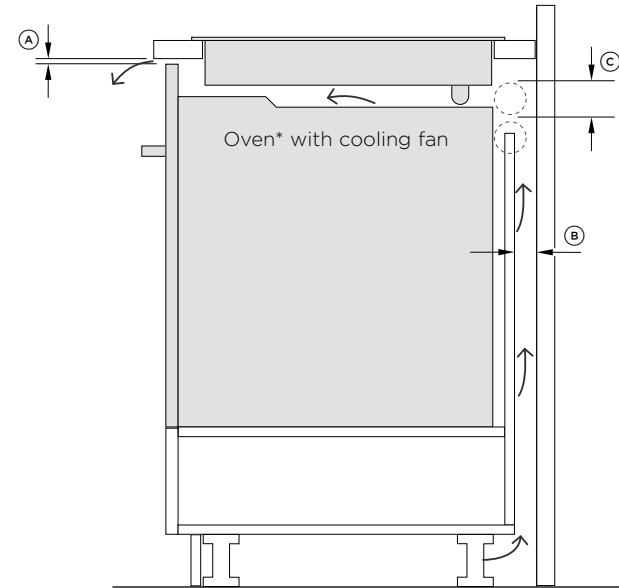
DRAWER OR OTHER OBSTRUCTION

This cooktop requires adequate supply of cool air to fully function. The base of the cooktop must have direct unrestricted ventilation to the room where the cooktop is installed. There must be a 3/16" (4mm) air gap at the front of the cooktop.



CLEARANCE DIMENSIONS	IN	MM
Ⓐ Minimum ventilation gap at the front of the cooktop	3/16	4
Ⓑ Minimum clearance from bottom of chassis to drawer or other obstruction	2 9/16	65
Ⓒ Minimum ventilation gap at the rear of the cooktop	13/16	20
Ⓓ Minimum diameter of cooling air hole	2	50

OVEN WITH COOLING FAN



CLEARANCE DIMENSIONS	IN	MM
Ⓐ Minimum ventilation gap at the front of the cooktop	3 /16	4
Ⓑ Minimum ventilation gap at the rear of the cooktop	13/16	20
Ⓒ Minimum diameter of cooling air hole	2	50

*Some ovens require installation in a sealed box. Please refer you oven installation guide for more information.

VALENTINA

Version

FIVAL34B5SS-R / Built-in - 34"
(86 cm) 500 CFM

Collection

Potenza

EAN code

8034122502601



Photograph is for information purposes only
May not correspond to the selected version

FEATURES

Perimeter suction
Electronic control
LED lighting
Metallic grease filter,
removable and washable
Optional charcoal filter
Optional remote control
Scotch brite stainless steel
SRS Speed reduction system

Cut-out size: 10 5/16" (262) x 31
15/16" (812)

Recommended mounting height
from cooking surface to hood
bottom: 24" - 36"

OPTIONAL ACCESSORIES

FFCHAR3COBL

FFCHAR3COBL - Round charcoal
filter Ø 6' - Type 6

KACL.815

Protective cleaning cloths for
stainless steel (box 10 pcs)

105080053

Remote control

TECHNICAL FEATURES

Installation type

Built-in

Dimensions

34 / 87 cm

Finish

Scotch brite stainless steel

Motor

500 CFM

Type of control

Electronic control

Speed settings

4

Lighting

Led 4x1,2 W - 3200 K

Charcoal filter

FFCHAR3COBL - Round charcoal
filter Ø 6' - Type 6 (optional)

Minimum distance

Gas hob: 25 in

Electric hob: 21 in

PACKAGING:WEIGHTS AND VOLUMES

Gross weight

38 lbs

Net weight

31 lbs

Volumes

6 ft³

Packaging size

Length

39 in

Height

15 in

Depth

16 in

CONSUMPTION AND CONNECTION FEATURES

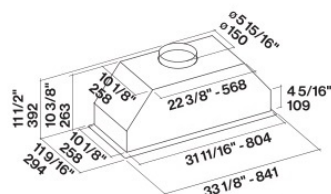
Maximum consumption

280 W


Plug type

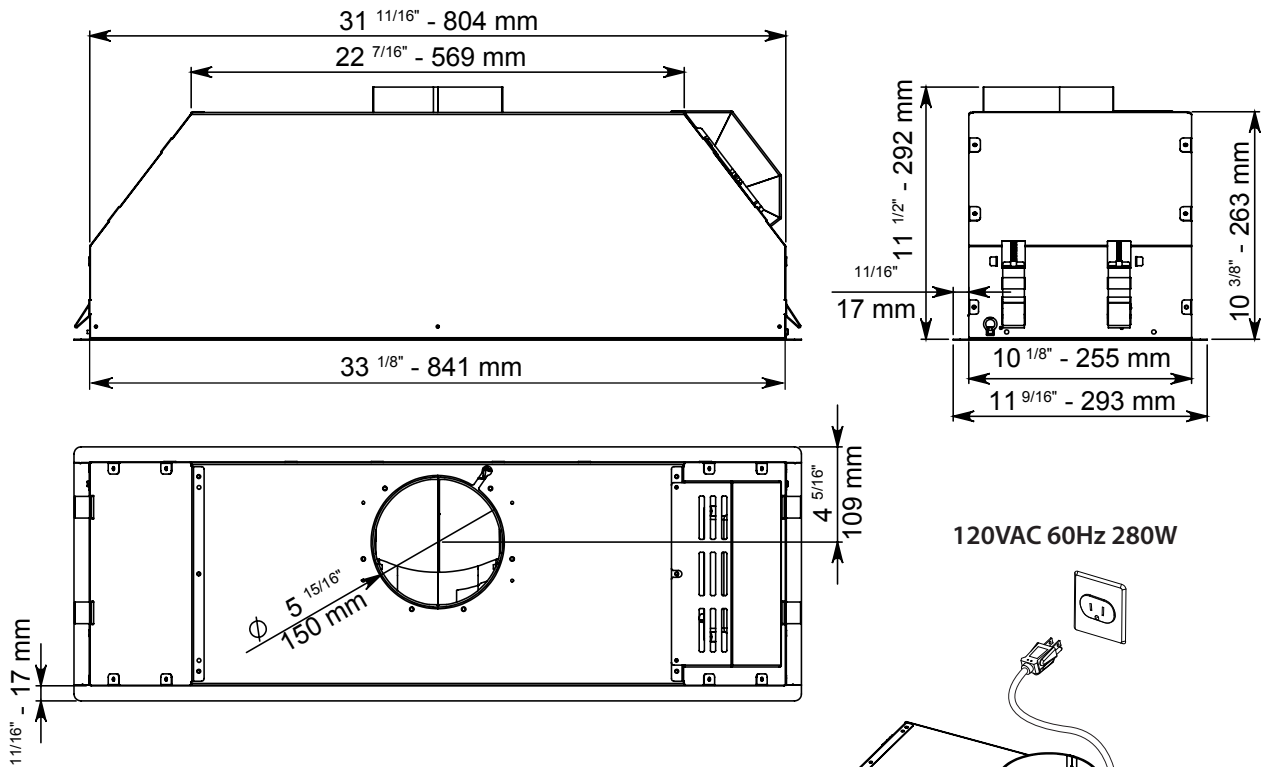
Hood comes standard with Nema
5-15P power cord

ENERGY CLASS

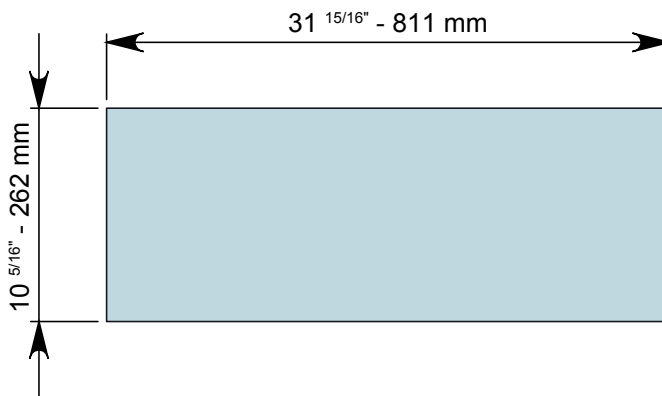


VALENTINA 34" Cod.: FIVAL34B5SS-1

14 kg
31 lb 



Cutout dimensions



EN- cable length 5,0ft (1,5m)
FR- longueur de câble 5,0ft (1,5m)
ES- longitud de cable 5,0ft (1,5m)
IT- lunghezza cavo 5,0ft (1,5m)

EN - MEASUREMENTS FOR INSTALLATION
FR - MESURES DU TROU POUR ENCASTREMENT
ES - MEDIDAS DEL ORIFICIO PARA EMPOTRADO
IT - MISURE FORO PER INCASSO

EN- tool required
FR- outil requis
ES- herramienta requerida
IT - Attrezzi necessari

