

PROGRESS DRAWING

This drawing is not intended to be used for contract pricing or fabrication purposes. All content is subject to change.

DISCARD ALL DRAWINGS THAT WERE MADE ON THIS ITEM PRIOR TO THE DATE BELOW:

2022-03-14

NOTES
 Drawings may not be scaled. The numerical dimensions represent correct measurements. All dimensions are given from finished floor and finished wall unless otherwise noted. All design ideas, drawings and plans represented here are owned by the property of WESTHAVEN CONSTRUCTION SERVICES. All rights reserved. Above suggested electrical and plumbing locations, must be verified in field.

REVISIONS	BY

JOB NUMBER
22-06076

Orlando m. fortun
 CIVIL / STRUCTURAL ENGINEER
 CONSULTING ENGINEER
 1220 S.W. 39th TERRACE MIAMI FLORIDA 33135
 TEL: (305) 562-9275 FAX: (305) 562-2074
 Email: orlandofortun@westhaven.com



PROPOSED POOL PLAN FOR:
Mr. Joel Alonso
 LOCATED AT:
 3701 SW 126th Avenue Miramar, FL 33021

DRAWN BY: R11G
 CHECKED BY: CHP
 DATE: April 22
 SCALE: SHOWN
 JOB NO: 22-06076
 SHEET
1
 OF 3 SHEETS



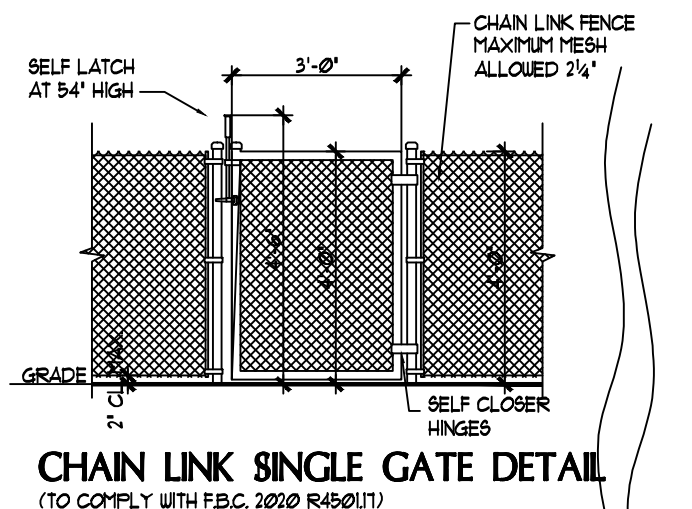
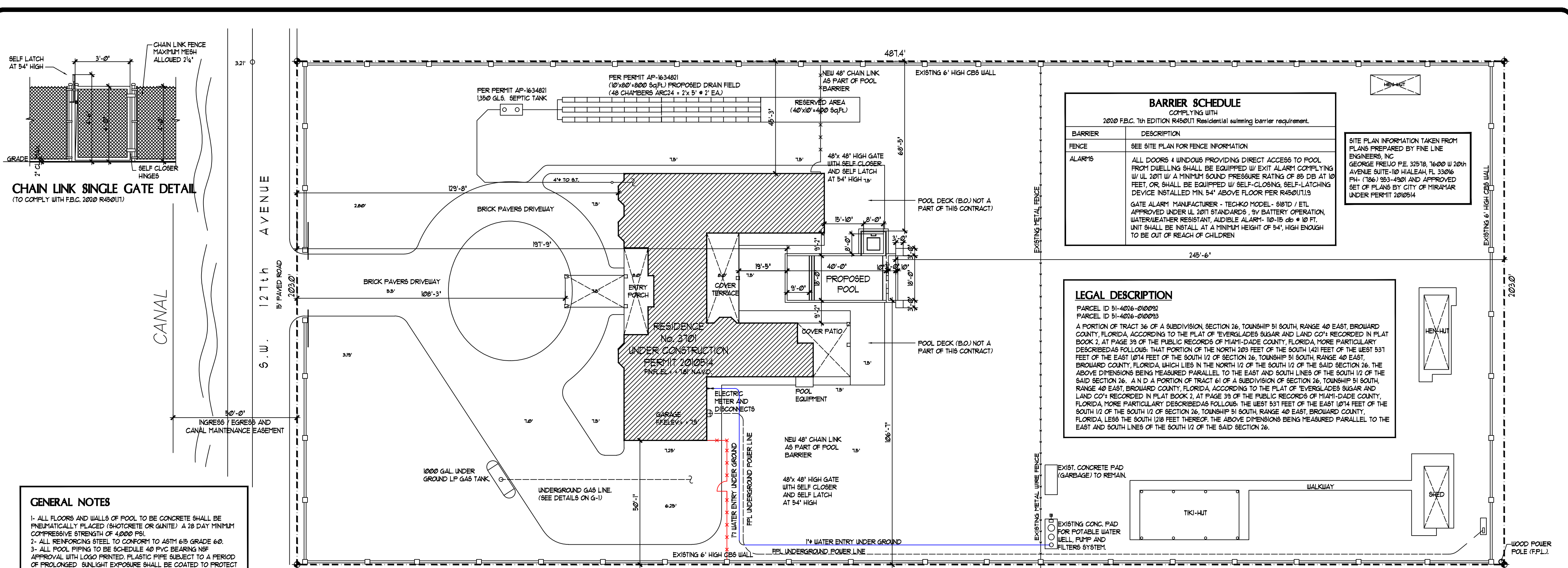
WESTHAVEN
 CONSTRUCTION SERVICES, INC.

CLIENT ADDRESS

PROJECT NAME
CONTINUUM

DRAWN BY: Abel G. Alonso
 DESIGN BY: Joel A. Fortun
 DESCRIPTION

A-01



CHAIN LINK SINGLE GATE DETAIL
 (TO COMPLY WITH F.B.C. 2020 R480(1))

GENERAL NOTES

- 1- ALL FLOORS AND WALLS OF POOL TO BE CONCRETE SHALL BE PREPARED BY PLACING (CONCRETE OR GATE) A 18 DAY MINIMUM COMPRESSIVE STRENGTH OF 4000 PSI.
- 2- ALL REINFORCING STEEL TO CONFORM TO ASTM A618 GRADE 60.
- 3- ALL POOL PIPING TO BE SCHEDULE 40 PVC BEARING NSF APPROVAL WITH LOGO PRINTED, PLASTIC PIPE SUBJECT TO A PERIOD OF PROLONGED SUNLIGHT EXPOSURE SHALL BE COATED TO PROTECT IT FROM ULTRAVIOLET LIGHT DEGRADATION - 2020 FBC R480(5).
- 4- FILTER BACKWASH SHALL COMPLY WITH CHAPTER R480(2) OF THE 2020 FBC.
- 5- NO POOL OR SPA DECK SHALL BEAR ON ANY TYPE OF SOILS EXCEPT CLEAN SANDS OR ROCK WHICH SHALL BE COMPACTED TO PROVIDE A SAFE BEARING CAPACITY OF 2500 P.S.F. ANY ORGANICS, MARLS OR OTHER TYPES OF DELETTERIOUS MATERIALS ENCOUNTERED ON EXCAVATION SHALL BE REMOVED (DEJECTED) IN THEIR ENTIRETY AND THE AREA SHALL BE BACKFILLED WITH ACCEPTABLE SOIL AND COMPACTED IN 12" THICK LAYERS, UNLESS THE CONTRACTOR CAN NOT REMOVE THE ORGANICS DUE TO UNWATER CAUSED, THE POOL SHALL BE REDESIGN FOR FILING.
- 6- IN ALL CASES THE POOL CONTRACTOR SHALL TAKE ALL PRECAUTIONS TO PROTECT EXISTING STRUCTURES FROM FAILURE BY SHAKING, UNDERMINING OR ANY OTHER METHOD REQUIRED. THE DESIGN ENGINEER ASSUMES NO RESPONSIBILITY FOR THE SAFETY OF EXISTING STRUCTURE.
- 7- THE DESIGN ENGINEER ASSUMES NO RESPONSIBILITY FOR POOL CONSTRUCTION IN EASEMENTS OR REQUIRED SETBACK AREAS. PLOT PLANS NOT PREPARED FROM LEGAL SURVEYS OF THE EXISTING LOT AND RESIDENCE ARE SO INDICATED. POOL CONTRACTOR SHALL VERIFY ALL DIMENSIONS IN FIELD AND ESTABLISH LOT LINES IF NECESSARY. CONTRACTOR AND / OR OWNER SHALL VERIFY LAYOUT SHOWN AND ALL DIMENSIONS PRIOR TO CONSTRUCTION.
- 8- CONTRACTOR SHALL ESTABLISH LOCATIONS OF UTILITIES AT THE SITE. MINIMUM CLEARANCE DIMENSIONS SHALL BE HELD AND SHALL BE AS REQUIRED BY THE LOCAL REGULATORY AGENCY IN GENERAL, HOLD A DISTANCE OF 10 FEET FROM OVERHEAD ELECTRIC LINES TO OPEN POOL WATER EDGE AND 5 FEET FROM UNDERGROUND ELECTRIC LINES.
- 9- POOL SLIDES TO BE INSTALLED IN ACCORDANCE WITH LATEST EDITION OF CONSUMER PRODUCTS SAFETY COMMISSION.
- 10- MINIMUM 4'-0" HIGH IS FENCE RECOMMENDED AROUND ALL POOLS IN UNREINFORCED AREAS, COMPLY WITH CHAPTER R480(1) OF THE 2020 FBC. IF WHERE POOLS ADJUT OR ARE PLACED NEARBY SEAWALLS OR BULKHEADS SPECIAL CARE SHALL BE EMPLOYED. THE WALLS SHALL BE IN GOOD CONDITIONS NOT PERMITTING ANY SHIFTING OR REMOVAL OR LOOSENING OF THE SUPPORTING SOIL AWAY FROM THE POOL. IF THE WALLS DO NOT FULLY CONTAIN THE SOILS BEHIND THEM THEY SHALL BE REPLACED OR REPAIRED. CONTINUAL MAINTENANCE OF THE WALLS IS REQUIRED OF THE PROPERTY OWNER WHEN EXCAVATING FOR THE POOL. THE SEAWALL TIEBACKS SHALL NOT BE CUT, WHERE CONCRETE DEAD-MEN FALL WITHIN THE EXCAVATION NOTIFY THE ENGINEER FOR INSTRUCTIONS.
- 11- THE CONTRACTOR SHALL BACKFILL THE POOL SHELL WITH CAUTION. THE FILLING SHALL NOT BE DISTURBED. BACKFILL SHALL BE ACCOMPLISHED WITH CLEAN SANDS FREE OF ORGANIC MATERIALS AND SHALL BE PLACED IN 12" THICK LAYERS. EACH LAYER SHALL BE COMPACTED TO 90% OF THE SOIL'S MAXIMUM DENSITY BY TAPPING SOLIDLY. SOILS BELOW THE PATIO SHALL BE PLACED IN A SIMILAR MANNER.
- 12- WHERE PATIOS ARE INDICATED BY OTHERS, THE PATIO DESIGN NOTES SHOWN ON THE TYPICAL WALL SECTION DO NOT APPLY. PATIO DESIGN SHALL BE BY OTHERS.
- 13- WARNING: TO ENTRY POOL AFTER CONSTRUCTION FOR REPAIRS OR ANY OTHER REASON, THE HYDROSTATIC UPLIFT PRESSURES BENEATH THE POOL MUST BE ELIMINATED TO PREVENT THE POOL FROM FLOATING UPWARD. THE OWNER MUST CONTACT A POOL REPAIR CONTRACTOR EXPERIENCED IN ELIMINATING UPLIFT PRESSURES.
- 14- THIS PLANS REMAINS THE PROPERTY OF THE DESIGN ENGINEER. IT IS NOT TRANSFERABLE FROM ONE CONTRACTOR TO ANOTHER WITHOUT THE WRITTEN PERMISSION OF THE DESIGN ENGINEER AND TO THE BEST OF OUR PROFESSIONAL KNOWLEDGE AND BELIEF, THEY HAVE BEEN PREPARED IN COMPLIANCE WITH THE ANS/APSP-ICC-5-615 AND ALL APPLICABLE LOCAL CODES AND REGULATIONS.
- 15- CONCRETE POOL DECK SHALL BE PROVIDED W/ 1" WIDE SAWCUT CRACK CONTROL JOINTS SPACED AT 3'-0" O.C. OR FOR AN EFFECTIVE CONCRETE AREA OF 80 SQ. FT. CRACK CONTROL JOINTS SHALL BE SAWCUT AT A DEPTH OF 1/3 THE SLAB THICKNESS.
- 16- SHORING MAY BE REQUIRED WHEN SOIL CONDITIONS EXHIBIT UNSTABLE ROCK FORMATION WHEN POOLS ARE LESS THAN 5' FROM STRUCTURE. IF UNSTABLE SOIL IS FOUND IT AT THE OF EXCAVATION NOTIFY ENGINEER FOR POOL SHORING DETAIL.

STRUCTURAL NOTES:

1. ALL POOL CONCRETE SHALL DEVELOP A MINIMUM 28 DAY COMPRESSIVE STRENGTH OF 4000 PSI.
2. ALL CONCRETE SHALL BE IN CONFORMANCE WITH 2020 FBC 7th EDITION AND ACI 308.301, 301 EDITION, AND ASTM C94-18A AND PROPORTIONED FOR STRENGTH AND QUALITY REQUIREMENTS IN ACCORDANCE WITH ACI 308, SECTION 4.3 PROPORTIONING ON THE BASIS OF FIELD EXPERIENCE.
3. ALL REINFORCING STEEL SHALL HAVE A MINIMUM YIELD STRENGTH OF Fy=60,000 PSI.
4. ALL DECK CONCRETE (WHEN INSTALLED UNDER THESE PLANS) SHALL HAVE A MINIMUM 28 DAY COMPRESSIVE STRENGTH OF 4000 PSI.
5. THE DESIGN OF THIS PROJECT HAS INCORPORATED A RATIONAL DESIGN APPROACH BASED ON ACCEPTED ENGINEERING PRINCIPLES.
6. ALL REINFORCING SPICES SHALL BE 18" IN LENGTH UNLESS OTHERWISE INDICATED ON THESE PLANS.

SOIL STATEMENT

SOIL CONDITION AT SITE BY VISUAL INSPECTION INDICATES AN ALLOWABLE BEARING CAPACITY OF 2500 P.S.F. (UNDISTURBED SAND AND/OR ROCK). UPON EXCAVATION OF POOL PRIOR TO THE INSTALLATION OF POOL FOUNDATION SYSTEM THE BUILDING OFFICIAL SHALL BE PROVIDED WITH A STATEMENT FROM AN ARCHITECT OR ENGINEER TO CERTIFY THE PRESUMPTIVE SOIL BEARING CAPACITY.

FLOTATION ANALYSIS

WATER LEVEL ELEVATION (TOP OF WALL)	15'
POOL DEPTH (BOTTOM OF SLAB ASSUMING 6")	5.5'
LOW POINT POOL LEVEL	2.0'
BASE FLOOD ZONE "AH"	5.0'
5% DEPTH LEVEL	2.95'
LESS HYDROSTATIC UPLIFT	-2.0'
	0.95'

FLOOR AND WALL THICKNESS SCHEDULE

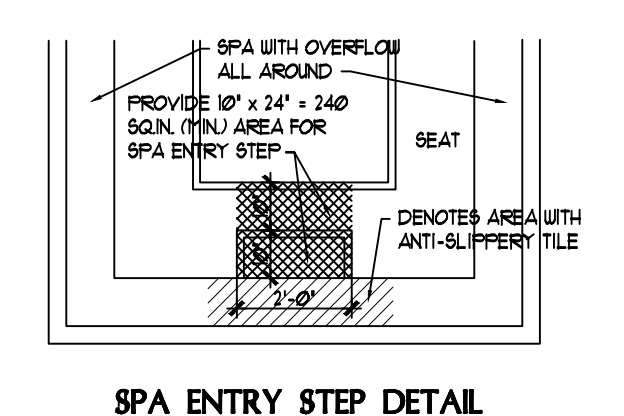
WALL THICKNESS	TOP	BOTTOM
PLACED CONCRETE	6"	6"
FLOOR THICKNESS	BOTTOM	
PLACED CONCRETE	8"	

FLOTATION ANALYSIS

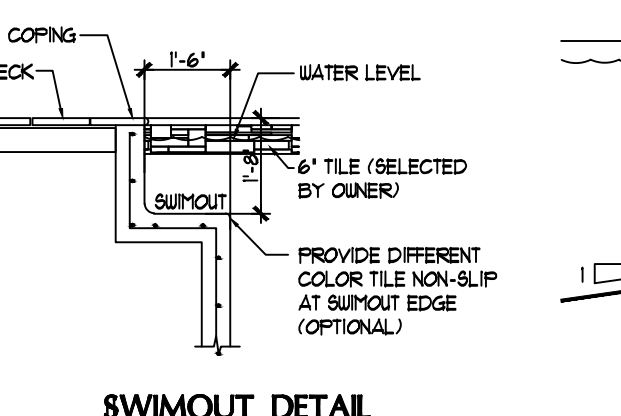
USE A MINIMUM OF 3" CONCRETE SLAB

As min.	6000 ± 1 (1800 thickness) ± 1 (bottom of slab)
As min.	6000 ± 6 x 12 ± 0.18
Spacing	3" (180) ± 0.51 ± 6 1/4"
As min.	0.18

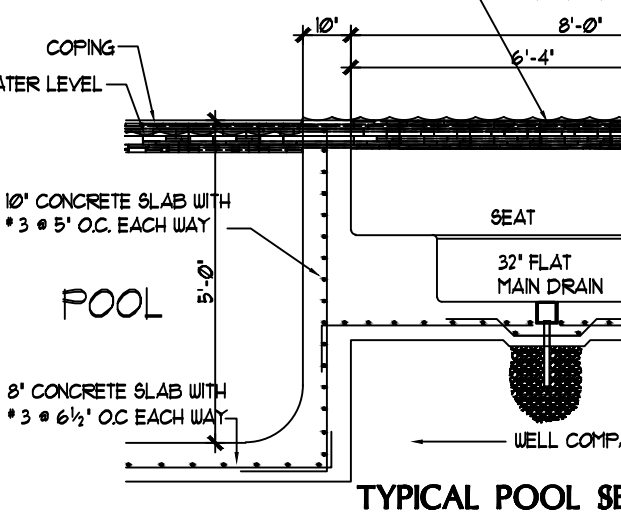
THEREFORE USE 3" CONCRETE SLAB WITH 3" x 6 1/4" O.C. EACH WAY



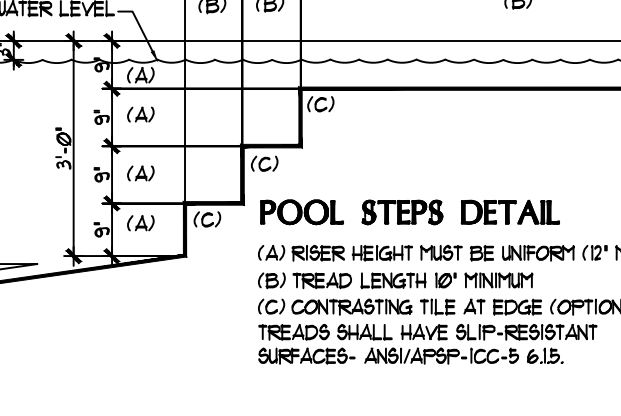
SPA ENTRY STEP DETAIL



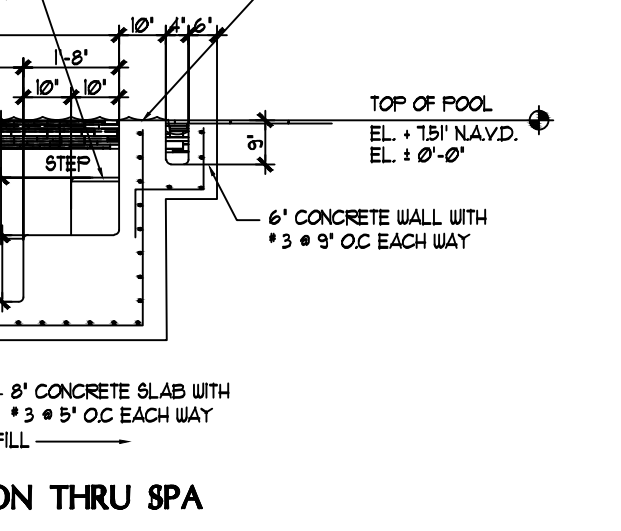
SWIMOUT DETAIL



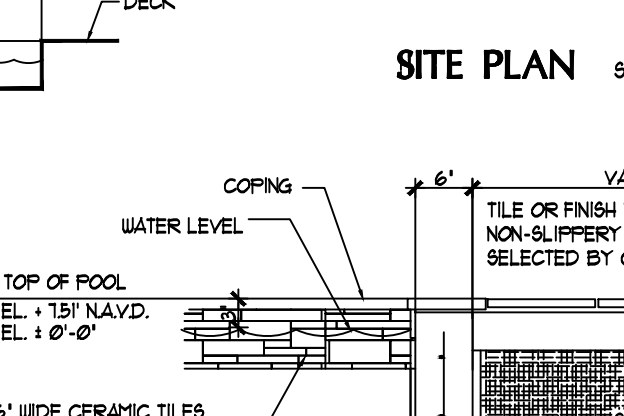
TYPICAL POOL SECTION THRU SPA



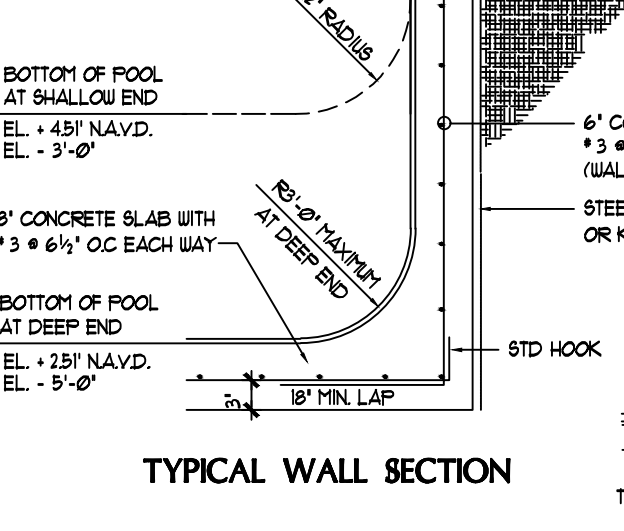
POOL STEPS DETAIL



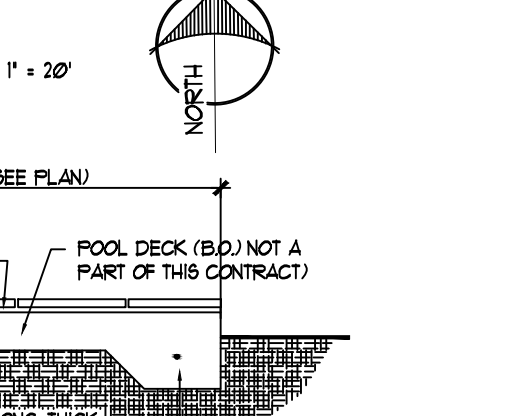
TYPICAL WALL SECTION



SKIMMER DETAIL



TYPICAL POOL SECTION



SITE PLAN SCALE: 1" = 20'

Scale 1=