

3701 MIRAMAR

MAIN FRONT DOOR



PROGRESS DRAWING

This presentation is not intended to be used for contract pricing or fabrication purposes. All content is subject to change

DISCARD ALL PRESENTATIONS THAT WERE MADE ON THIS ITEM PRIOR TO THE DATE BELOW:

01/31/2022

NOTES

The drawings included in presentations may not be scaled. The numerical dimensions represent correct measurements. All dimensions are given from finished floor and finished wall unless otherwise noted. All design ideas, drawings and plans represented here are owned by the property of **WESTHAVEN CONSTRUCTION SERVICES**. Above suggested electrical and plumbing locations, must be verified in field.

PROJECT

**3701
MIRAMAR**

PAGE NAME

Cover Page

DESIGN BY

J. ALONSO

DRAWING BY

A. QUINTERO

CREATED

01/ 31/ 2022

MODIFIED

01/31/2022

CLIENT

JOEL & YOLY ALONSO

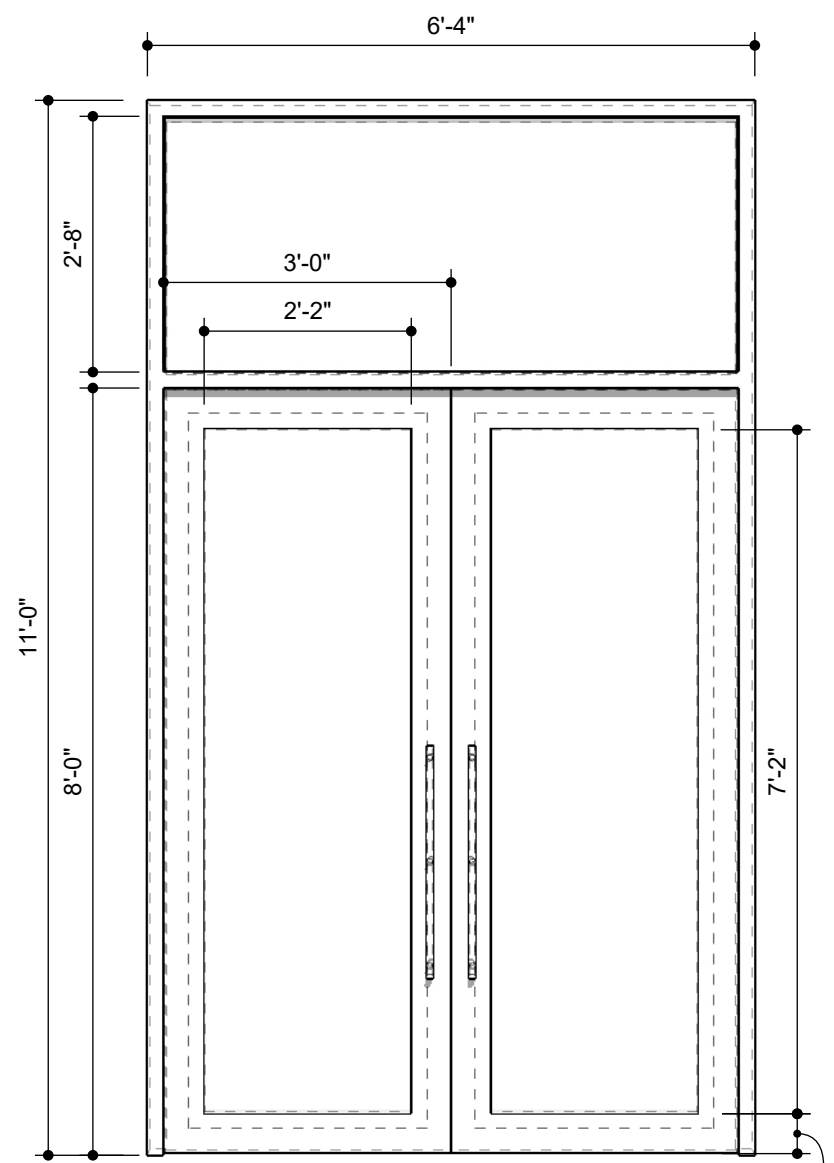
ADDRESS

0000
FI, 33000

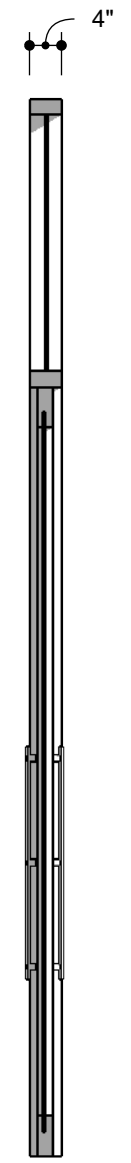


WESTHAVEN
CONSTRUCTION SERVICES, INC.

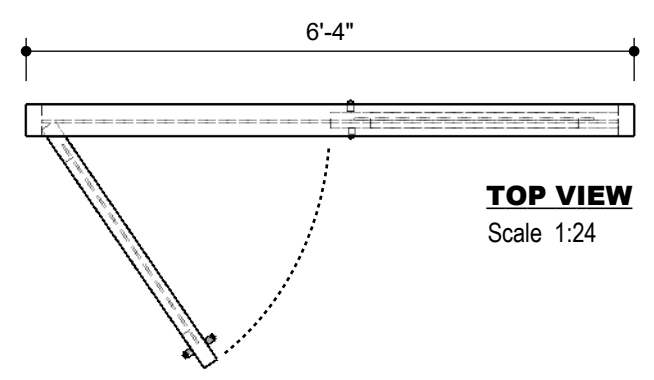
8254 NW SOUTH RIVER DRIVE, MEDLEY, FL 33166
All rights reserved.



FRONT VIEW
Scale 1:24



SIDE VIEW
Scale 1:24



TOP VIEW
Scale 1:24

TRASLUCENT GLASS



PERSPECTIVE VIEW
Not Scaled

FROSTED GLASS

PROGRESS DRAWING

ALL MEASUREMENTS MUST BE VERIFIED IN FIELD

This drawing is not intended to be used for contract pricing or fabrication purposes. All content is subject to change

DISCARD ALL DRAWINGS THAT WERE MADE ON THIS ITEM PRIOR TO THE DATE BELOW:

01/31/2022

NOTES

Drawings may not be scaled. The numerical dimensions represent correct measurements. All dimensions are given from finished floor and finished wall unless otherwise noted. All design ideas, drawings and plans represented here are owned by the property of **WESTHAVEN CONSTRUCTION SERVICES**. All rights reserved. Above suggested electrical and plumbing locations, must be verified in field.

