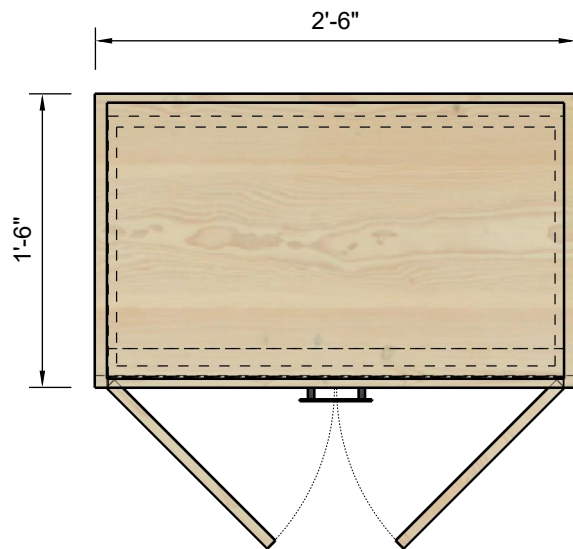


**FRONT VIEW**  
Scale 1:12



**TOP VIEW**  
Scale 1:12

*This plan presents preliminary proposals for materials, measurements, and design. Please note that these proposals are subject to possible changes.*

**Materials:** Proposed materials are subject to evaluation and final selection.

**Measurements:** Indicated measurements are approximate and may be adjusted during the design and construction process.

**Design:** The presented design is an initial proposal and may undergo modifications.

**Approvals and revisions:** Any changes to materials, measurements, or design require appropriate approval.

*This plan does not represent the final version of the project, and adjustments will be made to ensure quality and goal fulfillment.*

**THIS IS NOT A SHOP DRAWING**

All Measurements must be **VERIFIED IN FIELD**



**SIDE VIEW**  
Scale 1:12

T.B.D	FINISH	SELLER
	MATERIAL NAME	
	Item No:	



**PERSPECTIVE VIEW**  
Not Scaled

NOTE

Drawings may not be scaled.

The numerical dimensions represent correct measurements. (If not indicated, the precision of the dimensions by default is to 1")

All design ideas, drawings and plans represented here are owned by the property of WESTHAVEN CONSTRUCTION SERVICES, INC. All rights reserved. Above suggested electrical and plumbing locations, must be verified in field.

