

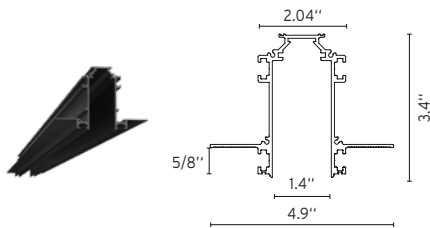
Running Magnet 2.0 Recessed

High-tech LED lighting system for interior architecture.

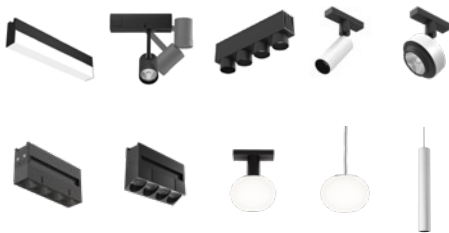
Description

Fun with magnets and light. Simultaneously graphic and subtle, the Running Magnet is flexible, precise, and as creative as you. It is track lighting redesigned and elegantly refined. Light elements snap in place and connect automatically though the magic of magnets. Extruded aluminum housings create a clean 1-3/8-inch slot and preconfigured corners complete the system that can run up, around and across walls and ceilings. Finishes align perfectly, always, because Running Magnet can be easily cut on site (except Suspension Up&Down). Linear LED and accent fixtures, available in a variety of sizes, can be exchanged and repositioned quickly, without tools, with artistic results. The Running Magnet is perfect for retail displays where frequent changes are typical and absolute performance is mandatory.

Recessed Installation



Light Modules



Certifications



Photometrics

For current IES files please visit arch.flosusa.com

Warranty

2 years from date of sale.

Lamp

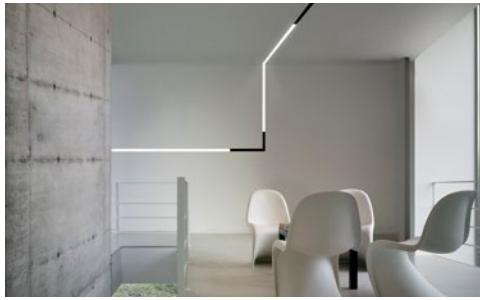
System Lamp Type	LED
Color Temperature	2700K, 3000K, *3500K, *4000K (See Notes)
Color Rendering	CRI90
Application	General Lighting / Accent lighting

Physical

Material	Aluminum
Ingress Protection Rating	IP20
Finishes	■ 14 Black
Installation type	Ceiling Recessed
Environment	Indoor
Field cuttable	Yes

Electrical & Control

Driver location	Remote
Driver Input Voltage	120V-277V
Driver Output Voltage	24V
Maximum Driver Wattage	Class 2 - 96W
Control	On fixture: Standard 0-10V dimming / DALI / On board



Running Magnet 2.0 Recessed

High-tech LED lighting system for interior architecture.



Notes

EC to supply site cabling from driver to track location and site UL listed enclosure.

Wattage per linear foot is dependent upon quantity and type of light modules used.

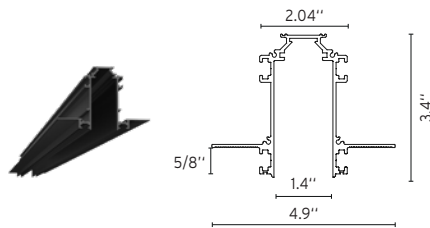
Spots and linear luminaires available with individually addressable DALI-Wireless circuitry, 0-10V (from 10% up to 100%) Dimming

0-10V Fixtures come from the factory set up at the lowest level 10% they always required a 0-10V signal to achieve the maximum output.

Trimless extruded aluminum track to be recessed in sheet rock ceilings and walls 5/8" thick, Also available in 1/2" Consult factory

All components required for the installation are included with the system with the exception of drivers and controllers.

Recessed Installation



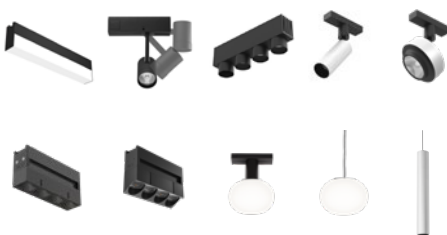
Linear profiles available as feed profiles to connect to a driver and intermediate profiles to fill in remaining lengths.

All linear profiles are field cuttable.

Track can be powered through corners.

3500K , 4000K and other CCT available but not cataloged. Consult factory for additional color temperatures.

Light Modules



How To Specify

A. Select and position corners

1. Horizontal - Connect sections on flat surfaces (90° corner)
2. Inside - Transition from wall to ceiling (inside corner)
3. External - Turn outside corners for walls and soffits (270° corner)

C. Drivers

Quantity of drivers determined by total wattage or light elements in section (approximately one every 10 feet). Maximum driver distance is 15'. Locate drivers nearby. Dimming hardwires into profile, bypasses driver.

B. Fill lengths between corners with Linear Housings

3.3', 4.9', 6.6' or 8.2' sections can be specified as feed or intermediate profiles. Profile can be easily cut to site to exact length and joined together.

D. Select Spot heads

Linear strips are available in five nominal lengths: 1', 2', 3', 4' and 5'. Individual units can be adjusted from 20-100% with a built-in dimming knob and DALI and 0-10V from 10-100%

Certifications

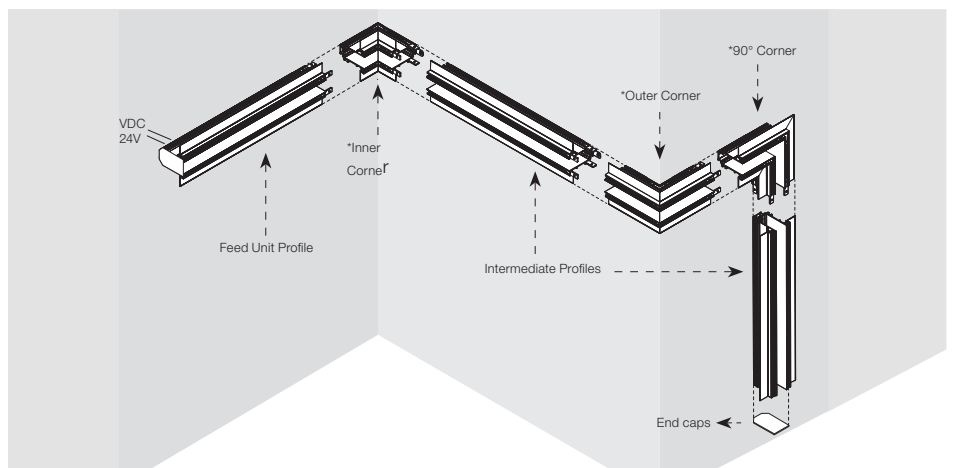


Photometrics

For current IES files please visit arch.flosusa.com

Warranty

2 years from date of sale.

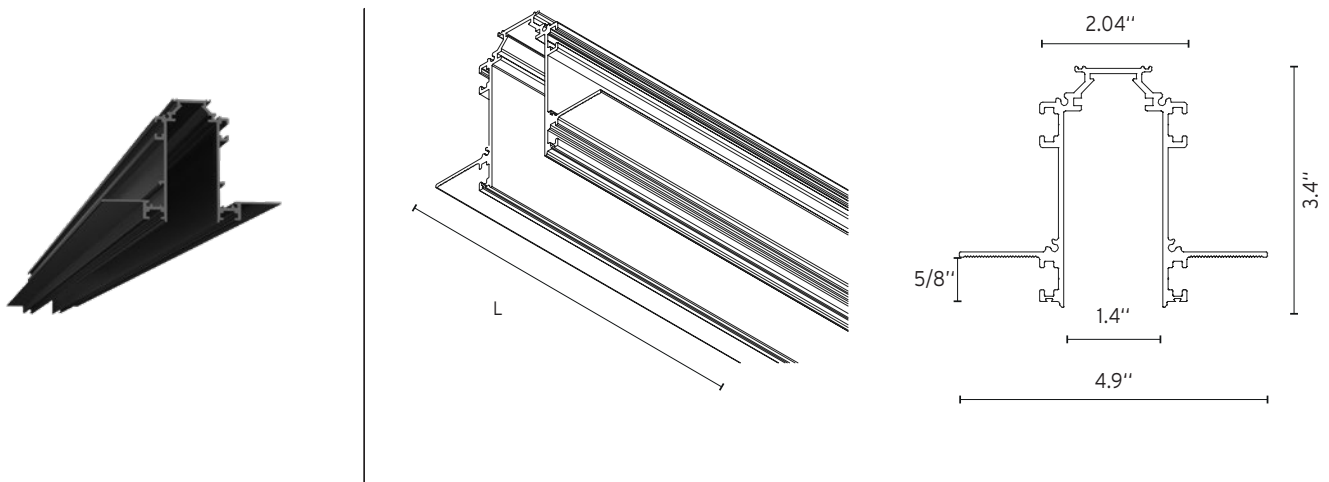


Running Magnet 2.0 Recessed

High-tech LED lighting system for interior architecture.

Profile

The extruded aluminum housing creates a clean 1-3/8" slot that can be run up, around and across walls and ceilings. Vertical and horizontal corners complete the system. The magnetic luminaries are simply installed by insertion. Linear tracks are available in two versions: power feed profiles for connecting to a driver, and intermediate profiles. End caps and connection cables are included with each power feed profile. Internal foam for opening support should not be removed until after installation.



How to Specify

ex. 06.1638.14.90

Length	Part Number Feed Profile	Part Number Intermediate Profile	Finish	Variant
39.4" (1m)	06.1638.14.90	06.1643.14.90	■ Black	5/8" Ceiling thickness
59" (1.5m)	06.1639.14.90	06.1644.14.90		
78.7" (2m)	06.1640.14.90	06.1645.14.90		
98.4" (2.5m)	06.1641.14.90	06.1646.14.90		

Both profile types can be cut to different lengths in field.

Running Magnet 2.0 Recessed

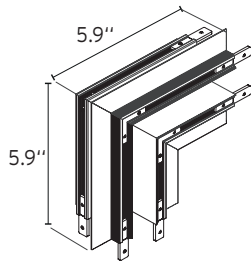
High-tech LED lighting system for interior architecture.

Corners

Horizontal 90° Corner. [5.9" x 5.9"]
5/8" Ceiling thickness

Part Number:

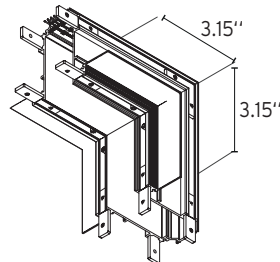
■ 06.1648.14.90



Inside Corner. [3.15" x 3.15"]
5/8" Ceiling thickness

Part Number:

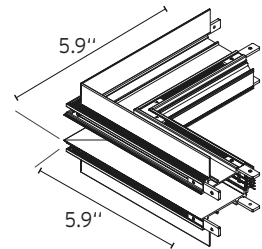
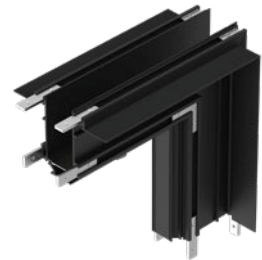
■ 06.1650.14.90



Outside Corner. [5.9" x 5.9"]
5/8" Ceiling thickness

Part Number:

■ 06.1651.14.90



Running Magnet 2.0 Recessed

High-tech LED lighting system for interior architecture.

Optional Profile Mounting Kits

Fixed Low-Clearance Mounting Kit (2 units).	Adjustable Ceiling Kits (1 unit)	End Cap kit (2 units) Includes the End Feed connector
Part Number: 08.8866.14	Part Number: 08.8867.14UL	Part Number: 08.8865.14A90
		
		
Profile	Quantities Ceiling kit	
39.37" / 59.06" [1000 mm/ 1500 mm]	2	
78.74" / 98.42" [2000 mm/ 2500 mm]	3	

Running Magnet 2.0 Recessed

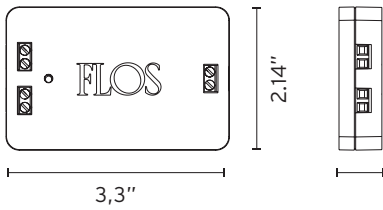
High-tech LED lighting system for interior architecture.

Dimming Controllers

Dimming Control Unit Box 24V 0-10V
Required for a 0-10V Dimming
installation. 1 DCU can control up to 25
fixtures

Part Number:


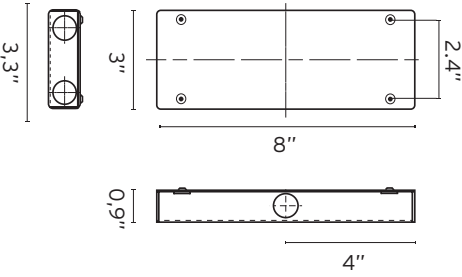

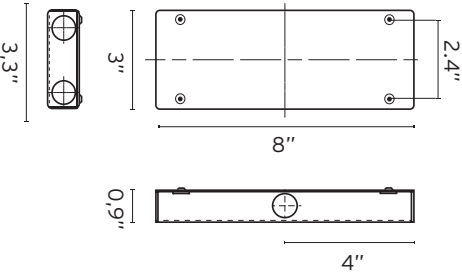

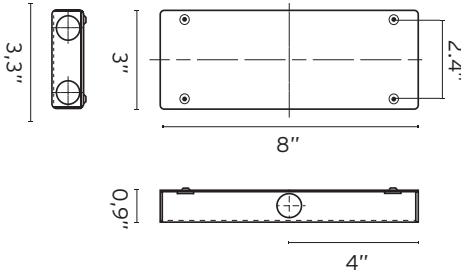



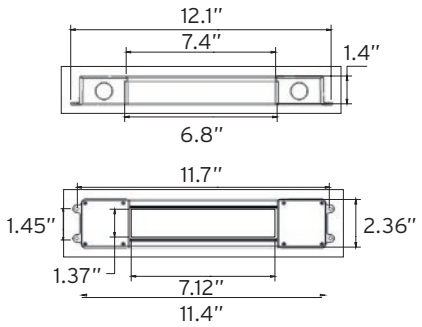
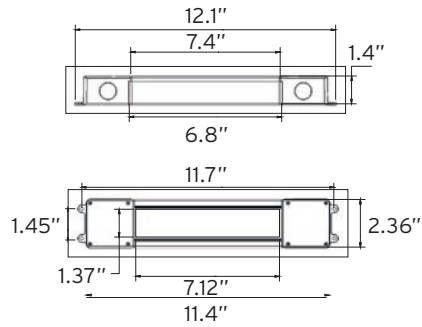
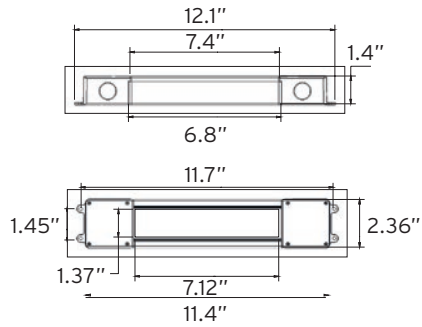
■ 08.0613.14A



Running Magnet 2.0 Recessed

High-tech LED lighting system for interior architecture.

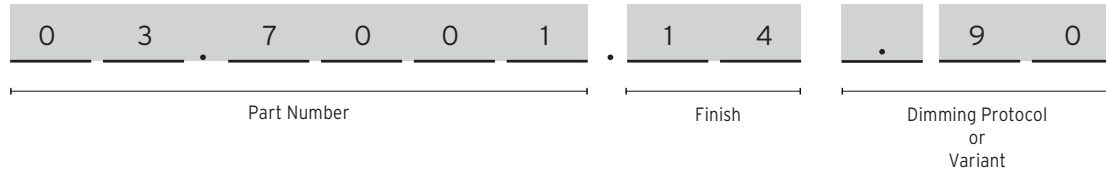
Required Drivers

<p>LED power supply source for remote installation, 24V/96W, 120-277V, UL Listed</p>	<p>LED power supply source for remote installation, 24V/60W, 120-277V, UL Listed</p>	<p>LED power supply source for remote installation, 24V/40W, 120-277V, UL Listed</p>
<p>Part Number: LEDSB96W24V-NDM-U01</p>	<p>Part Number: LEDSB60W24V-NDM-U01</p>	<p>Part Number: LEDSB40W24V-NDM-U01</p>
 	 	 
<p>LED power supply source for remote installation, 24V/96W, 120-277V, UL Listed</p>	<p>LED power supply source for remote installation, 24V/60W, 120-277V, UL Listed</p>	<p>LED power supply source for remote installation, 24V/30W, 120-277V, UL Listed</p>
<p>Part Number: LEDSB96W24V-NDM-DO1</p>	<p>Part Number: LEDSB60W24V-NDM-DO1</p>	<p>Part Number: LEDSB30W24V-NDM-DO1</p>
		
		

Running Magnet 2.0 Recessed

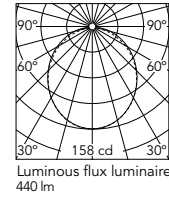
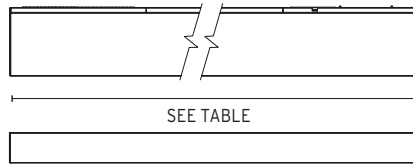
High-tech LED lighting system for interior architecture.

How to specify



Light Strip Module HE

Linear High Efficiency LED can be rapidly exchanged and repositioned without tools. Light elements are quick to position and connect automatically with magnets. Built-in dimming knob dims fixture from 20-100%, DALI and 0-10V from 10-100%. Clear end caps included for continuous look when installing end-to-end.



How to Specify

ex. 03.7001.14.90

Light Strip Length	CCT	CRI	Initial Lumens	Delivered Lumens	Watts	Beam Spread	Part Number	Finish	Dimming Protocol
11.8" (300mm)	3000K	90	460lm	440lm	7.5W	105°	03.7001	■ 14 = Black	.90 = Dimmable on board .DD = DALI .9V = 0-10V
23.6" (600mm)	3000K	90	920lm	880lm	15W	105°	03.7003		
35.4" (900mm)	3000K	90	1380lm	1320lm	22.5W	105°	03.7005		
47.2" (1200mm)	3000K	90	1840lm	1760lm	30W	105°	03.7007		

How to Specify

ex. 03.7000.14.90

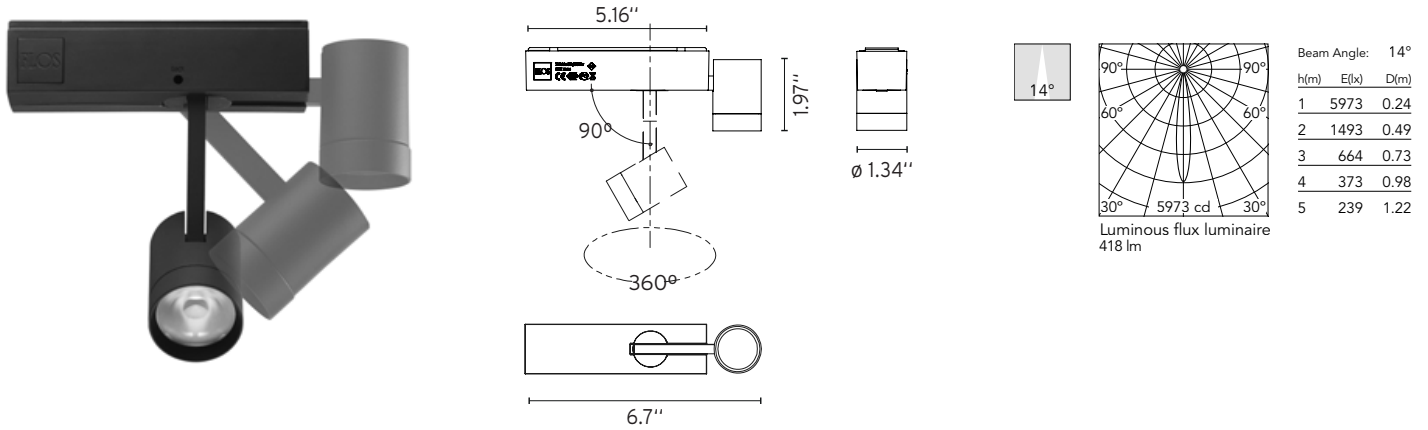
Light Strip Length	CCT	CRI	Initial Lumens	Delivered Lumens	Watts	Beam Spread	Part Number	Finish	Dimming Protocol
11.8" (300mm)	2700K	90	435lm	425lm	7.5W	105°	03.7000	■ 14 = Black	.90 = Dimmable on board .DD = DALI .9V = 0-10V
23.6" (600mm)	2700K	90	870lm	833lm	15W	105°	03.7002		
35.4" (900mm)	2700K	90	1305lm	1249lm	22.5W	105°	03.7004		
47.2" (1200mm)	2700K	90	1740lm	1665lm	30W	105°	03.7006		

Running Magnet 2.0 Recessed

High-tech LED lighting system for interior architecture.

Spot Module

Accent LED Spot modules can be rapidly exchanged and repositioned without tools. Light elements are quick to position and connect automatically with magnets. Built-in dimming knob dims fixture from 20-100%, DALI and 0-10V (from 10-100%). Standard beam spread is 14°. Additional interchangeable lenses available in 23° and 33°, and 10° x 40° elliptical beam spread.



How to Specify ex. 03.6302.14A90

CCT	CRI	Initial Lumens	Delivered Lumens	Watts	Beam Spread	Part Number	Finish	Dimming Protocol
3000K	90	600lm	418lm	8W	14°	03.6302	■ 14 = Black	A90 = Dimmable on board ADD = DALI A9V = 0-10V
2700K	90	550lm	404lm	8W	14°	03.6303		

Optional Accessories

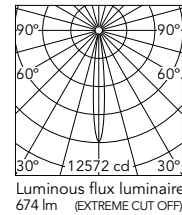
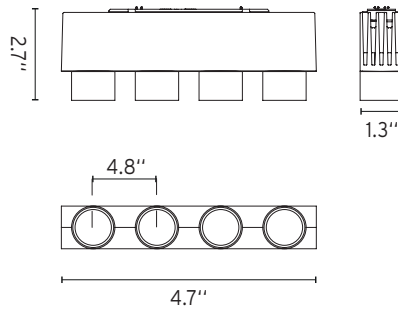
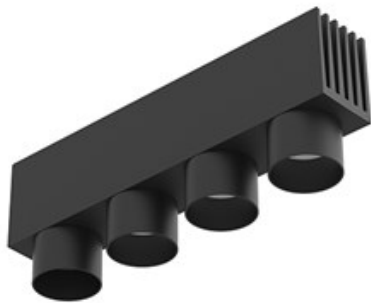
Flood Lens Accessory 23° Field Changeable	Wide Flood Lens Accessory 33° Field Changeable	Elliptical Lens Accessory Field Changeable 10° x 40°	Extra long snoot for added shielding in aluminum with black finish (does not protude from channel when tucked up into housing)
Part Number: 08.8760.00	Part Number: 08.8761.00	Part Number: 08.8759.00	Part Number: 08.8427.14

Running Magnet 2.0 Recessed

High-tech LED lighting system for interior architecture.

Multi Spot 4

4 accent Spot LED module can be rapidly exchanged and repositioned without tools. Light elements are quick to position and connect automatically with magnets. Built-in dimming knob dims fixture (from 20-100%), DALI and 0-10V (from 10-100%). Standard beam spread is 14° additional interchangeable lenses available in 20° and 30°, and elliptical beam spread.






Beam Angle: 11°	h(m)	E(x)	D(m)
1	12572	0.20	
2	3143	0.40	
3	1397	0.60	
4	786	0.80	
5	503	1.00	

How to Specify

ex. 03.6306.14.90

CCT	CRI	Initial Lumens	Delivered Lumens	Watts	Beam Spread	Part Number	Finish	Dimming Protocol
3000K	90	4 X 210lm	674lm	10W	11°	03.6306	■ 14 = Black	.90 = Dimmable on board
2700K	90	4 X 210lm	630lm	10W	11°	03.6305		.DD = DALI
								.9V = 0-10V

Optional Accessories

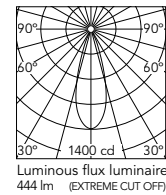
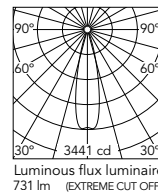
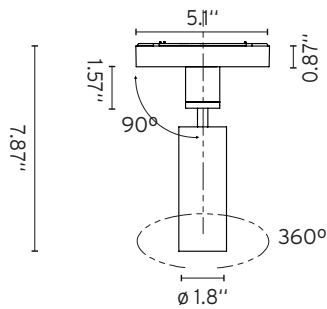
Flood Lens Accessory 20° Field Changeable	Wide Flood Lens Accessory 30° Field Changeable	Elliptical Lens Accessory Field Changeable 10° x 40°
Part Number: 08.8760.00	Part Number: 08.8761.00	Part Number: 08.8759.00
		

Running Magnet 2.0 Recessed

High-tech LED lighting system for interior architecture.

Spot 120

Accent lighting LED module to be installed in The Running Magnet 2.0 System. Built-in DC/DC electronic voltage converter. Built-in dimming knob on board fixture (from 39-100%), DALI and 0-10V (from 10-100%) Standard beam spread are 25° and 33°. Honeycomb and cross baffle included.



How to Specify

ex. 03.6285.14.90

CCT	CRI	Initial Lumens	Delivered Lumens	Watts*	Beam Spread	Part Number	Finish	Part Number O-10V Dimming
2700K	90	985lm	706lm	12.5W	25°	03.6285	<input checked="" type="checkbox"/> 14 = Black <input type="checkbox"/> 40 = White	.90 = Dimmable on board (12.5W)
3000K	90	1060lm	731lm			03.6284		
2700K	90	985lm	430lm	12.5W	33°	03.6286		
3000K	90	1060lm	444lm			03.6287		

CCT	CRI	Initial Lumens	Delivered Lumens	Watts*	Beam Spread	Part Number	Finish	Part Number O-10V Dimming
2700K	90	985lm	706lm	14W	25°	03.6285	<input checked="" type="checkbox"/> 14 = Black <input type="checkbox"/> 40 = White	.9V = 0-10V (14W) .DD = DALI (14W)
3000K	90	1060lm	731lm			03.6284		
2700K	90	985lm	430lm	14W	33°	03.6286		
3000K	90	1060lm	444lm			03.6287		

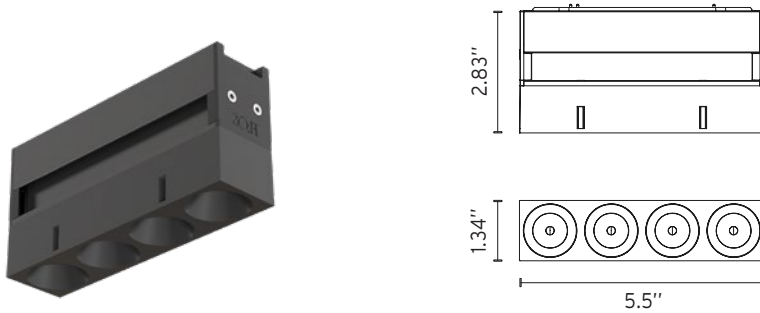
* Dimmable on board 12.5W, DALI and 0-10V Dimming fixtures are 14W

Running Magnet 2.0 Recessed

High-tech LED lighting system for interior architecture.

Light Shadow

Accent lighting LED module to be installed in The Running Magnet 2.0 System. Built-in DC/DC electronic voltage converter. Built-in dimming knob on board fixture (from 39-100%), DALI and 0-10V (from 10-100%) Standard beam spread are 25° and 33°. Honeycomb and cross baffle included.



How to Specify ex. 03.8949.14A90

CCT	CRI	Initial Lumens*	Watts	Beam Angle	Part Number	Exterior Finish	Interior Finish	Dimming Protocol
2700K	90	4x270 lm	10.8W	10°	03.8949	<input type="checkbox"/> 40 = White <input checked="" type="checkbox"/> 14 = Black	<input checked="" type="checkbox"/> Black <input type="checkbox"/> White <input type="checkbox"/> Chrome <input type="checkbox"/> Matt Gold	A90 = Dimmable on board ADD = DALI A9V = 0-10V
					03.8948			
					03.8950			
					03.8951			
3000K	90	4x285 lm	10.8W	10°	03.8953	<input type="checkbox"/> 40 = White <input checked="" type="checkbox"/> 14 = Black	<input checked="" type="checkbox"/> Black <input type="checkbox"/> White <input type="checkbox"/> Chrome <input type="checkbox"/> Matt Gold	
					03.8952			
					03.8954			
					03.8955			
2700K	90	4x270 lm	10.8W	23°	03.9621	<input type="checkbox"/> 40 = White <input checked="" type="checkbox"/> 14 = Black	<input checked="" type="checkbox"/> Black <input type="checkbox"/> White <input type="checkbox"/> Chrome <input type="checkbox"/> Matt Gold	
					03.9620			
					03.9622			
					03.9623			
3000K	90	4x285 lm	10.8W	23°	03.9631	<input type="checkbox"/> 40 = White <input checked="" type="checkbox"/> 14 = Black	<input checked="" type="checkbox"/> Black <input type="checkbox"/> White <input type="checkbox"/> Chrome <input type="checkbox"/> Matt Gold	
					03.9630			
					03.9632			
					03.9633			

* Delivered Lumens From 765lm to 859lm varies depending on the reflector finish, beam angle and CCT

Running Magnet 2.0 Recessed

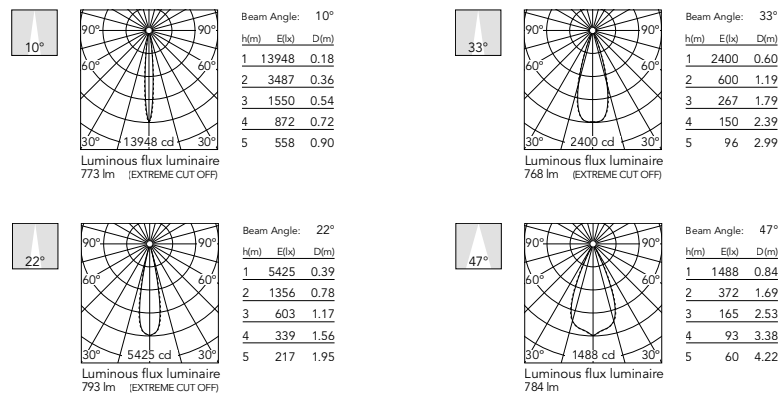
High-tech LED lighting system for interior architecture.

Light Shadow

CCT	CRI	Initial Lumens*	Watts	Beam Angle	Part Number	Exterior Finish	Interior Finish	Dimming Protocol
2700K	90	4x270 lm	10.8W	33°	03.9626	<input type="checkbox"/> 40 = White <input checked="" type="checkbox"/> 14 = Black	<input checked="" type="checkbox"/> Black <input type="checkbox"/> White <input type="checkbox"/> Chrome <input type="checkbox"/> Matt Gold	
					03.9625			
					03.9627			
					03.9628			
3000K	90	4x285 lm	10.8W	33°	03.9636	<input type="checkbox"/> 40 = White <input checked="" type="checkbox"/> 14 = Black	<input checked="" type="checkbox"/> Black <input type="checkbox"/> White <input type="checkbox"/> Chrome <input type="checkbox"/> Matt Gold	A90 = Dimmable on board ADD = DALI A9V = 0-10V
					03.9635			
					03.9637			
					03.9638			
2700K	90	4x270 lm	10.8W	46°	03.9661	<input type="checkbox"/> 40 = White <input checked="" type="checkbox"/> 14 = Black	<input checked="" type="checkbox"/> Black <input type="checkbox"/> White <input type="checkbox"/> Chrome <input type="checkbox"/> Matt Gold	
					03.9660			
					03.9662			
					03.9663			
3000K	90	4x285 lm	10.8W	46°	03.9665	<input type="checkbox"/> 40 = White <input checked="" type="checkbox"/> 14 = Black	<input checked="" type="checkbox"/> Black <input type="checkbox"/> White <input type="checkbox"/> Chrome <input type="checkbox"/> Matt Gold	
					03.9664			
					03.9666			
					03.9667			

* Delivered Lumens From 765lm to 859lm varies depending on the reflector finish, beam angle and CCT

Photometrics 3000K

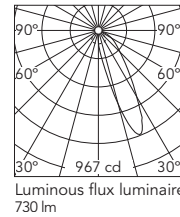
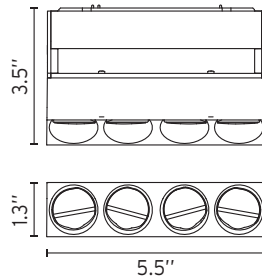


Running Magnet 2.0 Recessed

High-tech LED lighting system for interior architecture.

Light Shadow Wall-Washer

Accent lighting LED module to be installed in The Running Magnet 2.0 System. Built-in DC/DC electronic voltage converter. Built-in dimming knob on board fixture (from 39-100%), DALI and 0-10V (from 10-100%) Standard beam spread are 25° and 33°. Honeycomb and cross baffle included.

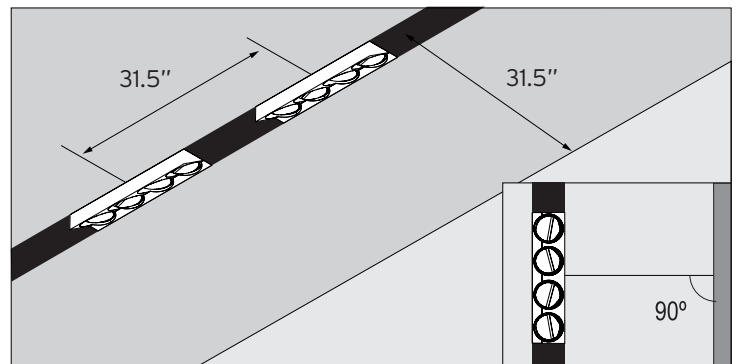
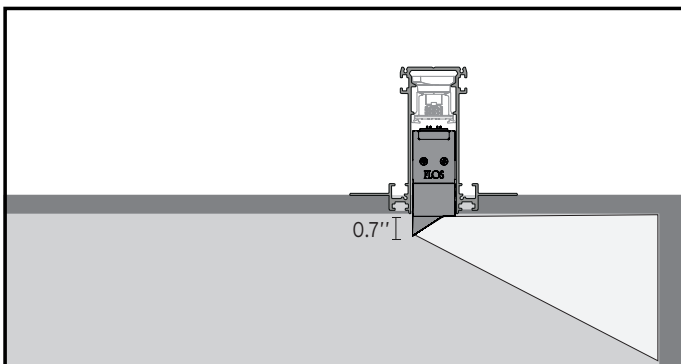


Beam Angle:	46°	
h(m)	E(lx)	D(m)
1	967	0.48
2	242	0.97
3	107	1.45
4	60	1.94
5	39	2.42

How to Specify ex. 03.9905.14A90

CCT	CRI	Initial Lumens	Delivered Lumens	Watts	Beam Angle	Part Number	Exterior Finish	Dimming Protocol
2700K	90	4x270 lm	654 lm	10.8W	46°	03.9905	<input type="checkbox"/> 40 = White <input checked="" type="checkbox"/> 14 = Black	A90 = Dimmable on board ADD = DALI A9V = 0-10V
3000K	90	4x285 lm	730 lm	10.8W	46°	03.9904	<input type="checkbox"/> 40 = White <input checked="" type="checkbox"/> 14 = Black	

How To Install

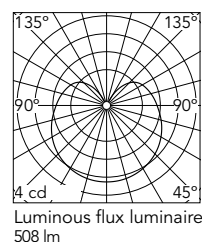
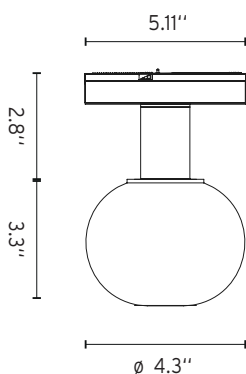


Running Magnet 2.0 Recessed

High-tech LED lighting system for interior architecture.

Mini Glo-ball

Decorative modules can be rapidly exchanged and repositioned without tools. Light elements are quick to position and connect automatically through the magic of magnets. Built-in dimming knob allows fixture to dim from 20-100%, DALI and 0-10V from 10-100%.



How to Specify ex. 03.6260.30B90

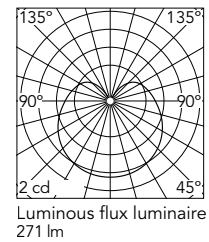
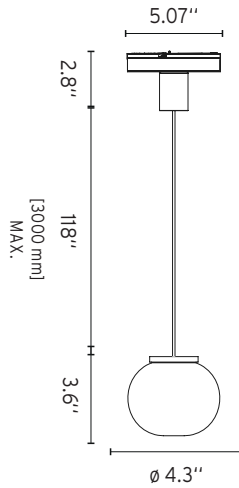
	CCT	CRI	Initial Lumens	Delivered Lumens	Watts	Part Number	Finish	Dimming Protocol
Mini Glo - Ball	3000K	80	880lm	528lm	7W	03.6261	■ 14 = Black	B90 = Dimmable on board .DD = DALI .9V = 0-10V
	2700K	80	800lm	488lm	7W	03.6260		

Running Magnet 2.0 Recessed

High-tech LED lighting system for interior architecture.

Mini Glo - Ball Suspension

Decorative modules can be rapidly exchanged and repositioned without tools. Light elements are quick to position and connect automatically through the magic of magnets. Built-in dimming knob allows fixture to dim from 20-100%, DALI and 0-10V from 10-100%.



How to Specify ex. 03.6263.30B90

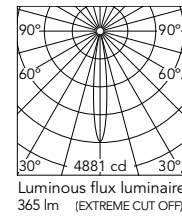
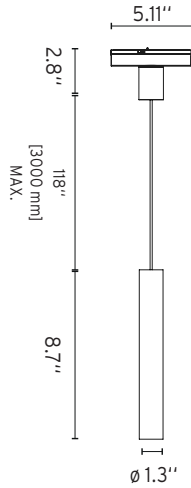
	CCT	CRI	Initial Lumens	Delivered Lumens	Watts	Part Number	Finish	Dimming Protocol
Mini Glo - Ball Suspension	3000K	80	440lm	271lm	3.5W	03.6263	■ 14 = Black	B90 = Dimmable on board
	2700K	80	400lm	259lm	3.5W	03.6262		.DD = DALI .9V = 0-10V

Running Magnet 2.0 Recessed

High-tech LED lighting system for interior architecture.

Find Me Suspension

Decorative modules can be rapidly exchanged and repositioned without tools. Light elements are quick to position and connect automatically through the magic of magnets. Built-in dimming knob allows fixture to dim from 20-100%, DALI and 0-10V from 10-100%.



Beam Angle: 14°

h(m)	E(x)	D(m)
1	4881	0.24
2	1220	0.49
3	542	0.73
4	305	0.97
5	195	1.21

How to Specify ex. 03.6273.30C90

	CCT	CRI	Initial Lumens	Delivered Lumens	Watts	Beam Spread	Part Number	Finish	Dimming Protocol
Find Me Suspension	3000K	90	600	365lm	8W	14°	03.6273	<input type="checkbox"/> 30 = White <input checked="" type="checkbox"/> 14 = Black <input type="checkbox"/> 06 = Chrome	C90 = Dimmable on board .DD = DALI .9V = 0-10V
	2700K	90	560	344lm	8W	14°	03.6272		