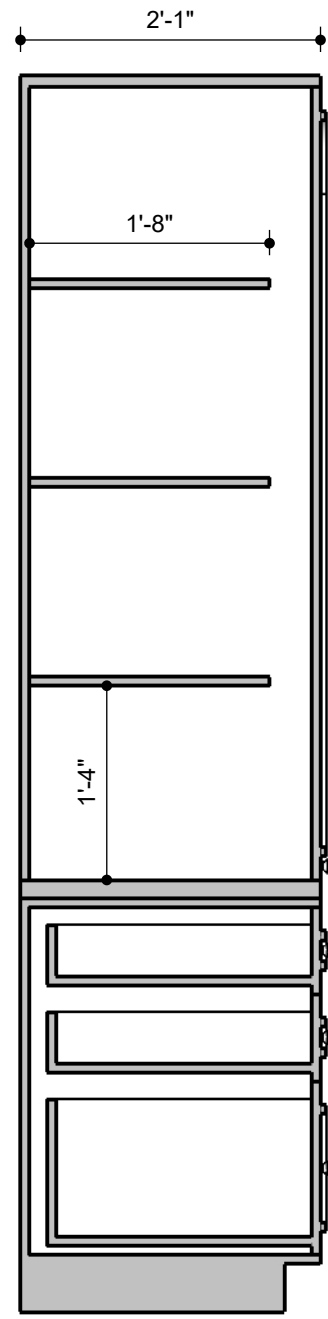
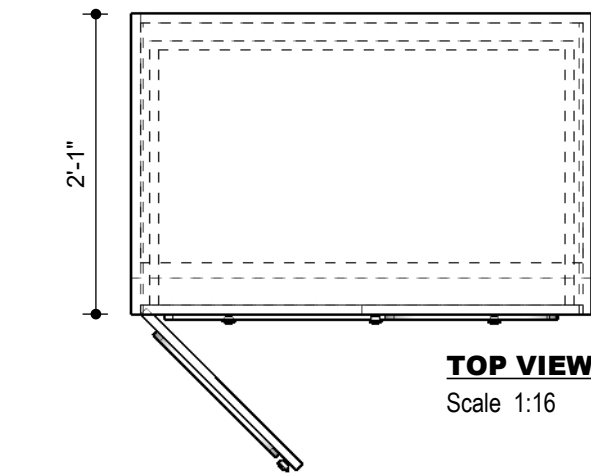


**FRONT VIEW**  
Scale 1:16

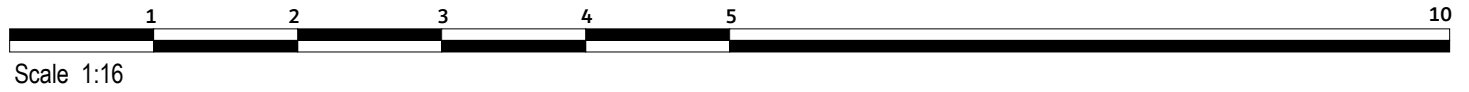


**SECTION A**  
Scale 1:00

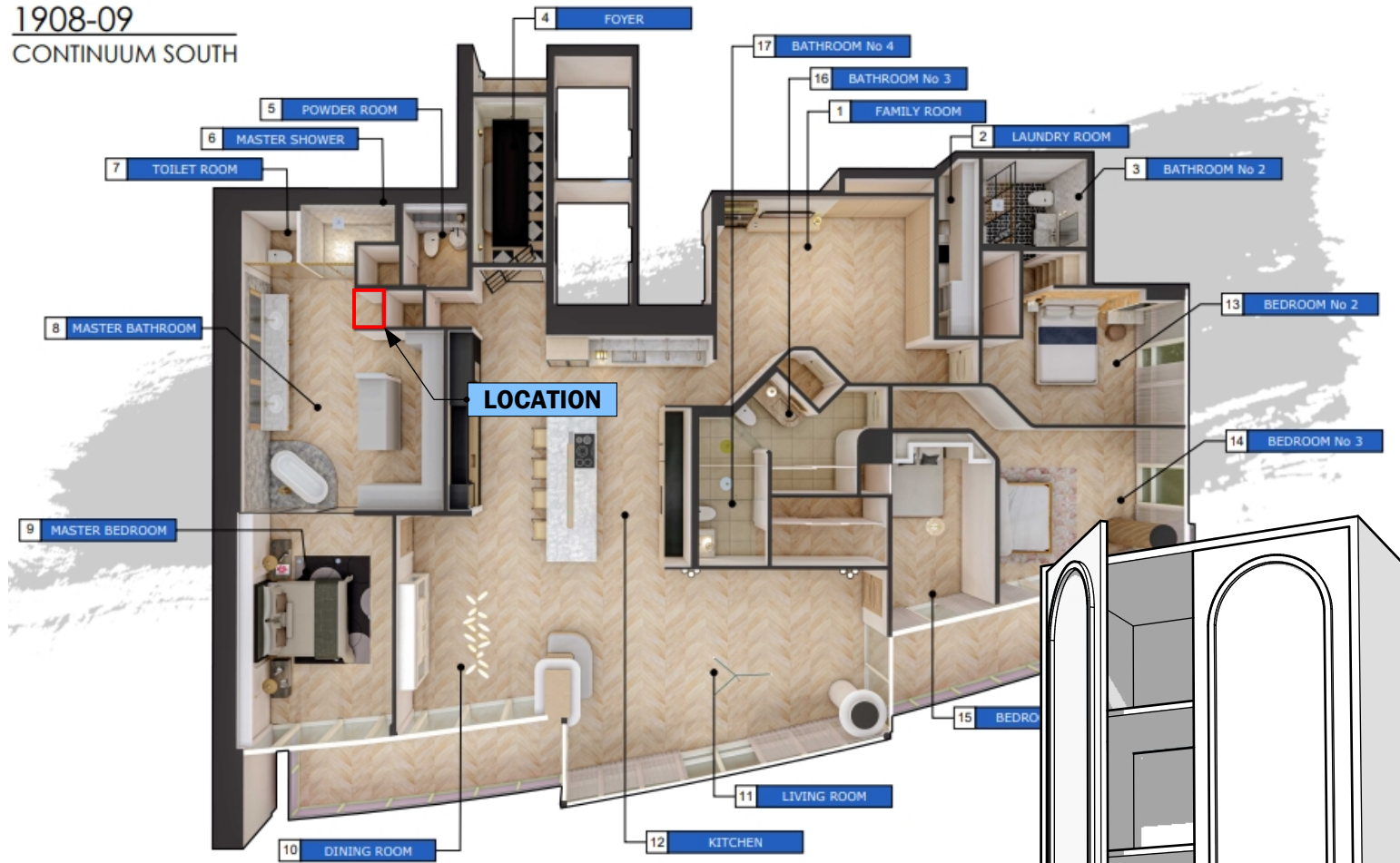


**TOP VIEW**  
Scale 1:16

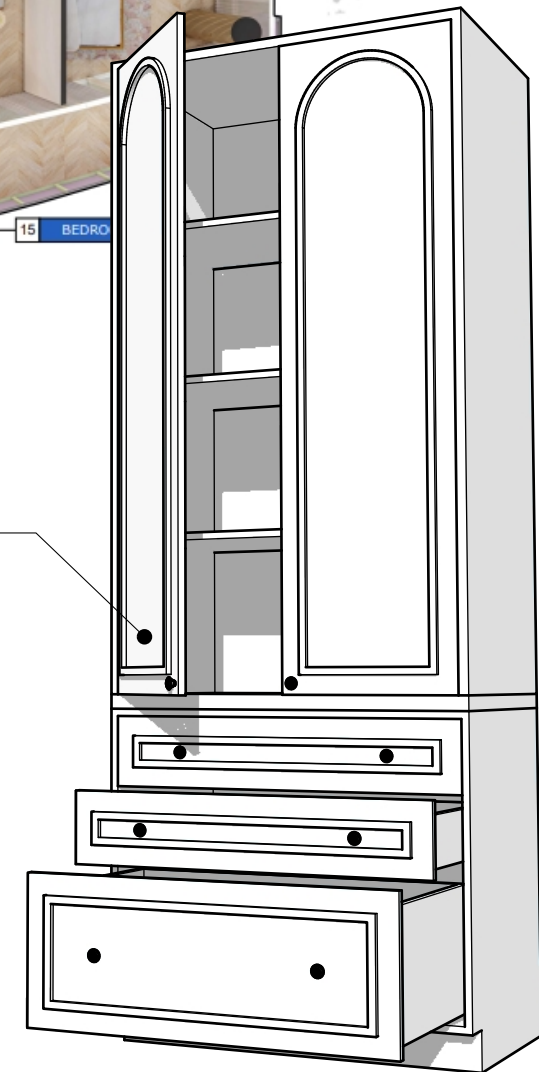
1908-09  
CONTINUUM SOUTH



Scale 1:16



FINISH	SELLER
SIMPLE WHITE SATIN	
Item No:	



**PERSPECTIVE VIEW**  
Not Scaled

**PROGRESS DRAWING**

**ALL MEASUREMENTS MUST BE VERIFIED IN FIELD**

This drawing is not intended to be used for contract pricing or fabrication purposes. All content is subject to change.

DISCARD ALL DRAWINGS THAT WERE MADE ON THIS ITEM PRIOR TO THE DATE BELOW:

**08/22/2022**

**NOTES**

Drawings may not be scaled. The numerical dimensions represent correct measurements. All dimensions are given from finished floor and finished wall unless otherwise noted.

All design ideas, drawings and plans represented here are owned by the property of WESTHAVEN CONSTRUCTION SERVICES.

All rights reserved. Above suggested electrical and plumbing locations, must be verified in field.



**WESTHAVEN**  
CONSTRUCTION SERVICES, INC.

CLIENT  
HERTRICH  
0000  
FL, 33000

ISSUE  
08/ 22/ 2022  
RE - ISSUE  
MM,DD,YY

DESCRIPTION  
MASTER BATH LINEN  
PAGE NAME  
ELEVATIONS

PROJECT No  
1908-09  
PROJECT NAME  
CONTINUUM SOUTH

**A-01**