




Specifications for Project

## westhaven icon revised

Salesperson

**Alina Echavarri**

**Alina.Echavarri@fuseappliances.com**

** REMINDER:** To ensure a smooth project it is the responsibility of the homeowner / purchaser of appliances for this project to share all the attached specifications to ensure the cabinet provider, contractor, or any other tradesperson have all the information required to complete their work accurately.

Specifications are subject to change. If any tradesperson has questions regarding the attached specifications please contact our sales associate.

# westhaven icon revised



<i>Contents</i>	<i>Page no.</i>
<b>RS2484VL2K1</b> Fisher & Paykel Refrigeration Integrated Column Wine Cabinet, 24"	<b>3-15</b>
<b>RS3084SRHK1</b> Fisher & Paykel Refrigeration Integrated Column Refrigerator, 30", Water	<b>16-28</b>
<b>RS1884FLJK1</b> Fisher & Paykel Refrigeration Integrated Column Freezer, 18", Ice	<b>29-41</b>

## Fuse Specialty Appliances

[fuseappliances.com](http://fuseappliances.com)

**Alina Echavarri**

Builder Account Manager

305.433.6189

Search **20231222013719521SC**

Version 1.1

Thu, Dec 21, 2023

8:37 PM EST



[enterprise.steelcod.com/sp/fuse/KI75NRYB](http://enterprise.steelcod.com/sp/fuse/KI75NRYB)

### Note about page numbers:

Because the original manufacturer's documents are not altered in any way, the page numbers displayed on the page may not correspond to the page number within this package.

### All specifications are intended for initial planning purposes only.

Manufacturers reserve the right to change specifications at any time without notice. Always consult the installation instructions found on the manufacturer's website or included with the appliances before installation.

# Integrated Column Wine Cabinet, 24"

Series 11 | Integrated

Panel Ready | Left hinge



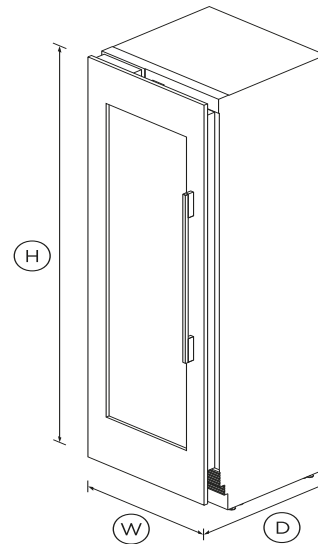
Create a wine collector's ultimate kitchen with a panel ready Column Wine Cabinet that seamlessly integrates into your kitchen design.

- A generous 91 bottle capacity, with optional display capability for your favorite bottles
- Two independent Variable Temperature Zones, each with four wine modes to create the best environment for any varietal
- Pair with Integrated Column Refrigerators and Freezers or install separately to suit your kitchen design

- Customize with your own cabinetry, or purchase our stainless steel door panel. Designed to fit flush, with minimal 1/8" gaps

## DIMENSIONS

<b>Height</b>	<b>84"</b>
<b>Width</b>	<b>23 3/4"</b>
<b>Depth</b>	<b>24"</b>



## FEATURES & BENEFITS

### The perfect fit

Customize your Integrated Column Wine Cabinet with a door panel that matches your kitchen cabinetry, or purchase our stainless steel door panel accessory. You can also choose your preferred handle style, opt for left or right hinge, as well as mix and match with other Integrated Column Refrigerator and

Freezer models.

### Precise temperature control

Four specially developed wine modes provide optimal temperatures for serving and cellaring different types of wine. Red, White, Sparkling and Cellar modes ensure that each bottle gets the care it needs to be enjoyed at its best. You can also adjust manually in 1°F increments between 43-64°F.

### Optimal wine care

To provide the optimal storage environment for your collection, your Integrated Column Wine Cabinet has been engineered to maintain a consistent temperature throughout both zones. An activated carbon filter in each compartment clears the air of pollutants to ensure your wine is perfectly cared for.

### Reduced vibration

Vibration can dull flavor and cause other unwanted issues in wine. With a quiet, low vibration compressor, full-extension, soft-close slides with white oak shelving, and other strategically chosen absorptive materials, the Integrated Column Wine Cabinet carefully maintains the flavor profile of every drop.

### Customizable lighting

The tinted glass door effectively filters out UV light, allowing your wine to mature at its natural pace. LED lighting provides four beautiful illumination options to showcase the jewels of your collection, from a candlelit ambiance to a brilliant display lighting. Display mode automates the lighting cycle to show off your collection on special occasions.

### Curate your collection

Showcase your collection with accessories for our Integrated Column Wine Cabinet. Independent cradles can be adjusted to create your ideal display angle, while a water-based pencil and aluminium labels offer a stylish way to catalog your wine.

## SPECIFICATIONS

**Accessories (sold separately)**

Door panel stainless steel Wine	<b>Left hinge RD2484VL4, Right</b>
Handle kit Contemporary	<b>AHD5RDSF</b>
Handle kit Contemporary	<b>AHD5RDSFB</b>
Handle kit Professional round	<b>AHC-RD84</b>
Handle kit Professional round	<b>AHP3RDSF</b>
Handle kit Professional square	<b>AHV2-RD84</b>
Joiner kit	<b>AJ-RS84LR</b>
Toe kick stainless steel 24"	<b>AKRS2404</b>
Toe kick stainless steel 30"	<b>AKRS3004</b>
Toe kick stainless steel 42"	<b>AKRS4204</b>
Toe kick stainless steel 48"	<b>AKRS4804</b>
Toe kick stainless steel 54"	<b>AKRS5404</b>
Toe kick stainless steel 60"	<b>AKRS6004</b>
Wine display kit (four cradles)	<b>ADV4</b>
Wine display label kit (14 labels)	<b>ALV14</b>
Wine filter odour kit	<b>863974</b>

**Capacity**

Number of bottles	<b>91</b>
-------------------	-----------

**Features**

Air filter lower compartment	•
Air filter upper compartment	•
Door alarm	•
Full extension display shelf	<b>1</b>
Full extension storage racks	<b>13</b>
LED ceiling lighting	•
LED side lighting	•
Low vibration compressor	•
Precision ball-bearing runner	•

Rated load for slide runners	<b>77lbs</b>
SmartTouch interface at	•
Soft-mounted wine racks	•
UV tempered glass door	•

**Performance**

ActiveSmart™ wine care	•
Dual evaporator	•
Inverter controlled compressor	•
Sabbath mode	•
Variable temperature zones	<b>2</b>
Variable wine modes	<b>Red, White, Sparkling, Cellar</b>

**Power requirements**

Rated current	<b>10A</b>
Supply frequency	<b>60Hz</b>
Supply voltage	<b>115V</b>

**Product dimensions**

Depth	<b>24"</b>
Height	<b>84"</b>
Width	<b>23 3/4"</b>

**Warranty**

Parts and labor	<b>2 years</b>
-----------------	----------------

SKU	<b>25751</b>
-----	--------------

The product dimensions and specifications in this page apply to the specific product and model. Under our policy of continuous improvement, these dimensions and specifications may change at any time. You should therefore check with Fisher & Paykel's Customer Care Centre to ensure this page correctly describes the model currently available. ? Fisher & Paykel Appliances Ltd 2020

---

Other product downloads available at [fisherpaykel.com](https://fisherpaykel.com)

- [↓](#) User Guide
- [↓](#) Energy Label
- [↓](#) Service & Warranty
- [↓](#) Installation Guide - Toe Kick
- [↓](#) Installation Guide
- [↓](#) Data Sheet Integrated Column Wine Cabinet with Custom Panel
- [↓](#) Data Sheet Integrated Column Wine Cabinet with Custom Panel and Professional Round Handle Kit
- [↓](#) Data Sheet Integrated Column Wine Cabinet with Custom Panel and Contemporary Square Handle Kit
- [↓](#) Data Sheet Integrated Column Wine Cabinet with Custom Panel and Contemporary Round Handle Kit
- [↓](#) Data Sheet Integrated Column Wine Cabinet with Custom Panel and Professional Square Handle Kit
- [↓](#) Data Sheet Integrated Column Wine Cabinet with Stainless Steel Panel



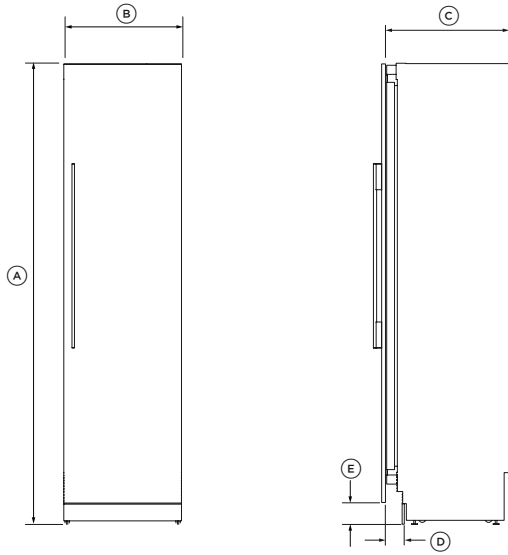
**A PEACE OF MIND SALE**

24 Hours 7 Days a Week Customer Support

T 1.888.936.7872 **W**[www.fisherpaykel.com](https://www.fisherpaykel.com)

## PRODUCT DIMENSIONS

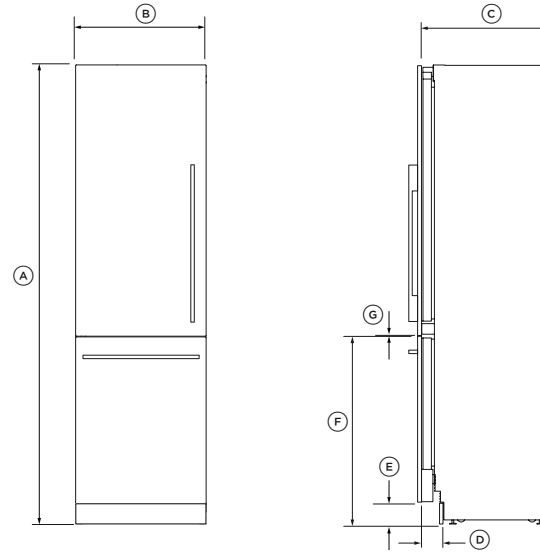
### REFRIGERATOR OR FREEZER



FRONT

PROFILE

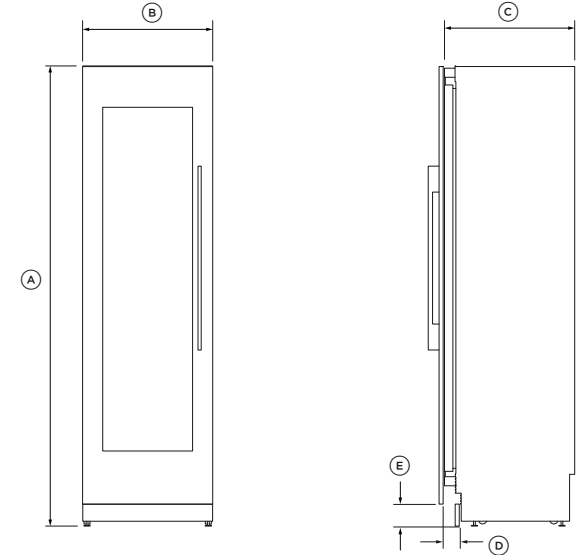
### REFRIGERATOR-FREEZER



FRONT

PROFILE

### WINE CABINET



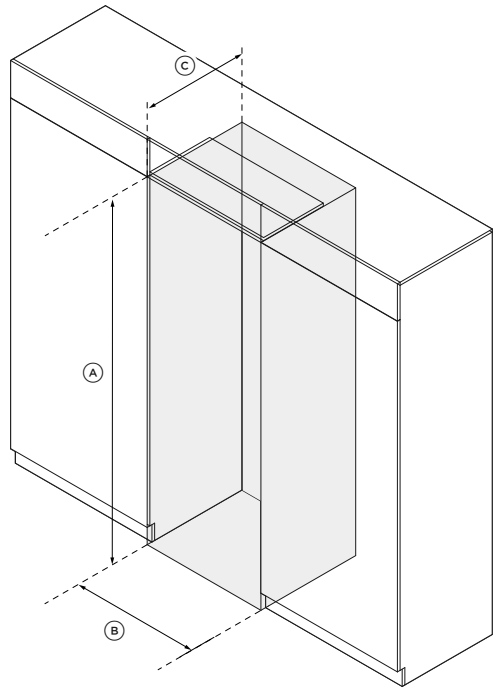
FRONT

PROFILE

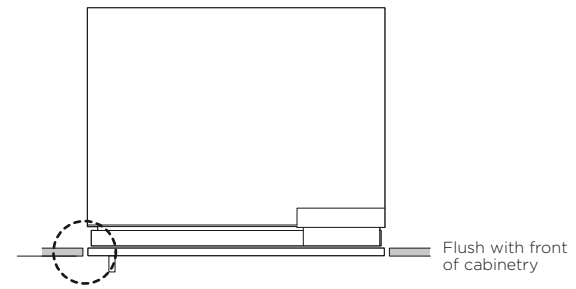
PRODUCT DIMENSIONS	18"		24"		30"	
	IN	MM	IN	MM	IN	MM
Ⓐ Overall height	84	2134	84	2134	84	2134
Ⓑ Overall width	17 3/4	451	23 3/4	603	29 3/4	756
Ⓒ Overall depth (excluding door panel)	24	610	24	610	24	610
Ⓓ Depth of toe kick (measured from back of door panel)	2 7/8-4	73-102	2 7/8-4	73-102	2 7/8-4	73-102
Ⓔ Height from floor to bottom of Stainless steel door/drawer panel	4	102	4	102	4	102
Ⓕ Height from floor to top of drawer panel (Refrigerator-Freezer only)	34 7/16	874	34 7/16	874	34 7/16	874
Ⓖ Gap between door and drawer panels (Refrigerator-Freezer only)	—	—	1/8	3	1/8	3
<b>PRODUCT WEIGHT (WITHOUT PACKAGING)</b>	<b>LB</b>	<b>KG</b>	<b>LB</b>	<b>KG</b>	<b>LB</b>	<b>KG</b>
Refrigerator or Freezer	223	101	258	117	295	134
Refrigerator-Freezer	—	—	313	142	359	163
Wine cabinet	—	—	335	152	—	—

18" model for Freezer only. Wine Cabinet available in 24" only.

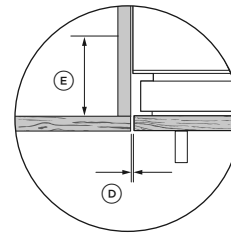
## CABINETY DIMENSIONS – SINGLE INSTALLATION



**ISOMETRIC**

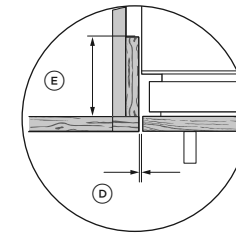


**PLAN**



**UNFRAMED**

Aligns appliance with cabinetry



**FRAMED**

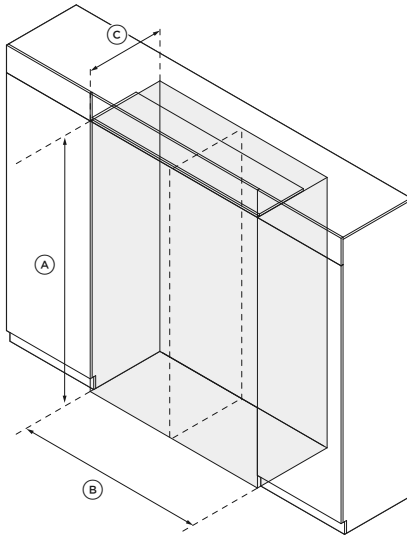
Aligns appliance with frame of cabinetry

<b>CAVITY DIMENSIONS</b>	<b>18"</b>		<b>24"</b>		<b>30"</b>	
	<b>IN</b>	<b>MM</b>	<b>IN</b>	<b>MM</b>	<b>IN</b>	<b>MM</b>
Ⓐ Overall height of cavity	84	2134	84	2134	84	2134
Ⓑ Overall width of cavity	18	457	24	610	24	610
Ⓒ Minimum overall depth of cavity*	25	635	25	635	25	635
Ⓓ Minimum gap from edge of door panel to cabinetry	1/8	3	1/8	3	1/8	3
Ⓔ Minimum required finished return	4	102	4	102	4	102

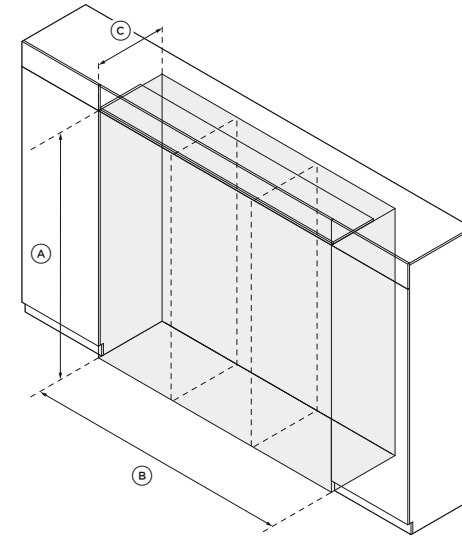
\*Assumes a door panel thickness of 3/4" (19mm).

## CABINETRY DIMENSIONS – MULTIPLE INSTALLATION

### DUAL INSTALL



### TRIPLE INSTALL



#### DUAL INSTALL

CAVITY DIMENSIONS	42"		48"		54"		60"	
	IN	MM	IN	MM	IN	MM	IN	MM
Ⓐ Overall height of cavity	84	2134	84	2134	84	2134	84	2134
Ⓑ Overall width of cavity	42	1067	48	1220	54	1372	60	1524
Ⓒ Minimum overall depth of cavity*	25	635	25	635	25	635	25	635

\*Assumes a door panel thickness of 3/4" (19mm).

#### TRIPLE INSTALL

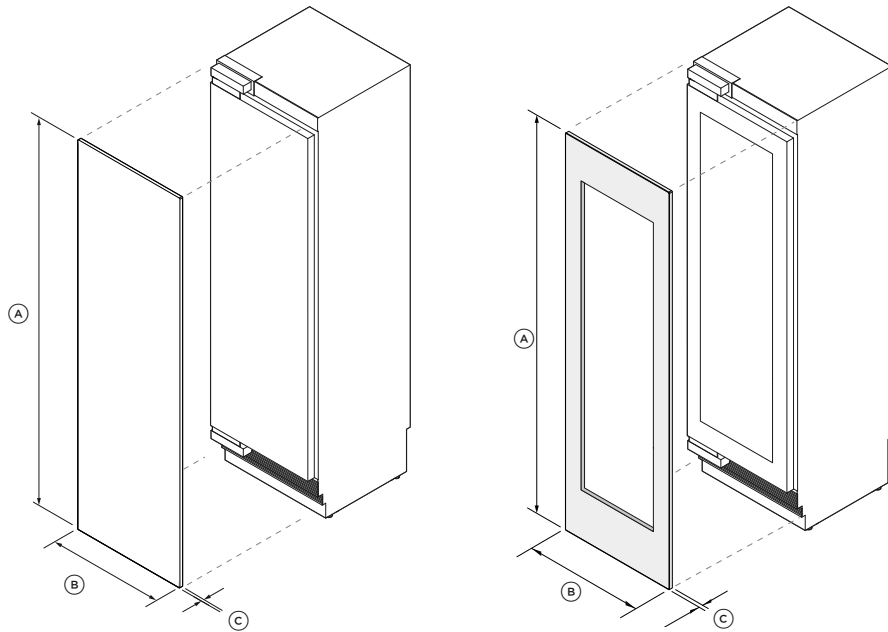
CAVITY DIMENSIONS	66"		72"		78"		84"		90"	
	IN	MM	IN	MM	IN	MM	IN	MM	IN	MM
Ⓐ Overall height of cavity	84	2134	84	2134	84	2134	84	2134	84	2134
Ⓑ Overall width of cavity	66	1677	72	1829	78	1982	84	2134	90	2286
Ⓒ Minimum overall depth of cavity*	25	635	25	635	25	635	25	635	25	635

\*Assumes a door panel thickness of 3/4" (19mm).



## STAINLESS STEEL DOOR PANEL DIMENSIONS — SINGLE INSTALLATION

### REFRIGERATOR OR FREEZER / WINE CABINET

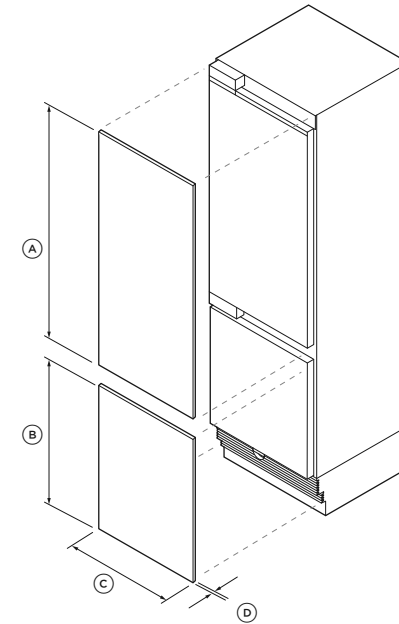


DOOR PANEL DIMENSIONS	18"		24"		30"	
	IN	MM	IN	MM	IN	MM
Ⓐ Height of door panel	79 7/8	2029	79 7/8	2029	79 7/8	2029
Ⓒ Width of door panel	17 3/4	451	23 3/4	603	29 3/4	756
Ⓒ Depth of door panel*	3/4	19	3/4	19	3/4	19

\*Excluding handle

DOOR PANEL WEIGHT	18"		24"		30"	
	LB	KG	LB	KG	LB	KG
Weight of Refrigerator or Freezer door panel	44	20	55	25	66	30
Weight of Wine cabinet door panel	—	—	18	8	—	—

### REFRIGERATOR-FREEZER



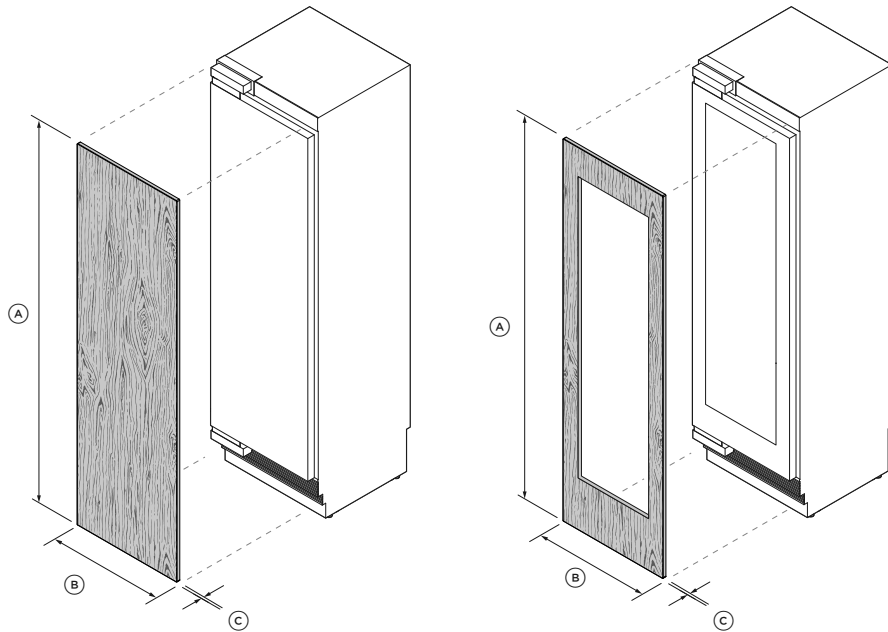
DOOR PANEL DIMENSIONS	24"		30"	
	IN	MM	IN	MM
Ⓐ Height of top door panel	49 3/8	1254	49 3/8	1254
Ⓑ Height of bottom drawer panel	30 3/8	772	30 3/8	772
Ⓒ Width of door panel	23 3/4	603	29 3/4	756
Ⓓ Depth of door panel*	3/4	19	3/4	19

\*Excluding handle

DOOR PANEL WEIGHT	24"		30"	
	LB	KG	LB	KG
Weight of top door panel	20	9	22	10
Weight of bottom drawer panel	13	6	15	7

## CUSTOM DOOR PANEL DIMENSIONS – SINGLE INSTALLATION

### REFRIGERATOR OR FREEZER / WINE CABINET

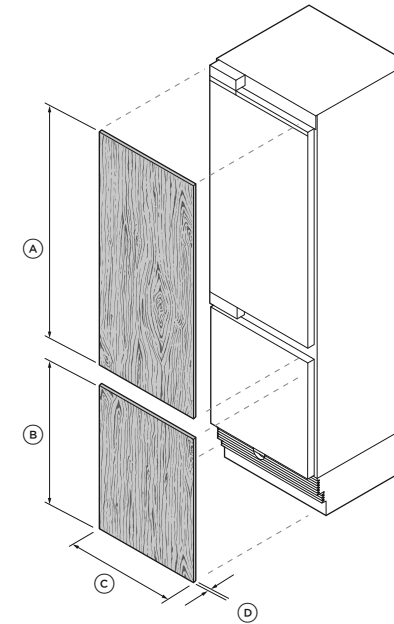


DOOR PANEL DIMENSIONS	18"		24"		30"	
	IN	MM	IN	MM	IN	MM
Ⓐ Height of door panel	77 7/8 - 81 7/8	1978- 2080	77 7/8 - 81 7/8	1978- 2080	77 7/8 - 81 7/8	1978- 2080
Ⓒ Width of door panel	17 3/4	451	23 3/4	603	29 3/4	756
Ⓒ Depth of door panel*	min 5/8 max 1	min 16- max 25	min 5/8 max 1	min 16- max 25	min 5/8 max 1	min 16- max 25

\*Excluding handle

DOOR PANEL WEIGHT	18"		24"		30"	
	LB	KG	LB	KG	LB	KG
Weight of Refrigerator or Freezer door panel	max 44	max 20	max 55	max 25	max 66	max 30
Weight of Wine cabinet door panel	—	—	max 55	max 25	—	—

### REFRIGERATOR-FREEZER



DOOR PANEL DIMENSIONS	24"		30"	
	IN	MM	IN	MM
Ⓐ Height of top door panel	49 3/8	1254	49 3/8	1254
Ⓑ Height of bottom drawer panel	28 3/8 - 32 3/8	721- 822	28 3/8 - 32 3/8	721- 822
Ⓒ Width of door panel	23 3/4	603	29 3/4	756
Ⓓ Depth of door panel*	min 5/8 max 1	min 16- max 25	min 5/8 max 1	min 16- max 25

\*Excluding handle

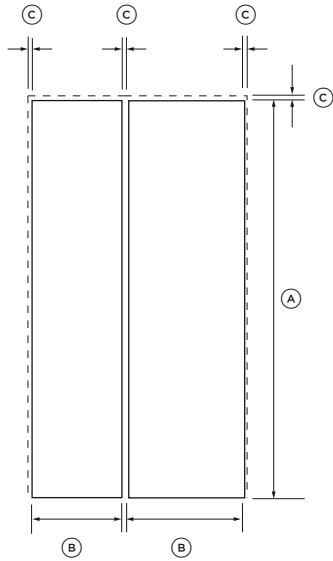
DOOR PANEL WEIGHT	24"		30"	
	LB	KG	LB	KG
Weight of top door panel	max 33	max 15	max 40	max 18
Weight of bottom drawer panel	max 20	max 9	max 24	max 11

For Wine cabinet, the Custom door panel must leave the glass pane visible. A full custom panel sheathing over the glass pane does not meet the specifications of this appliance. For all models, maximum panel weight must not be exceeded.

## CUSTOM DOOR PANEL DIMENSIONS – MULTIPLE INSTALLATION

### DUAL INSTALL

The illustrations below are examples of custom door panels of different combinations for dual installation. Minimum gaps of 1/8" (3mm) must be retained between door panel side edges and cabinetry regardless of door panel widths.

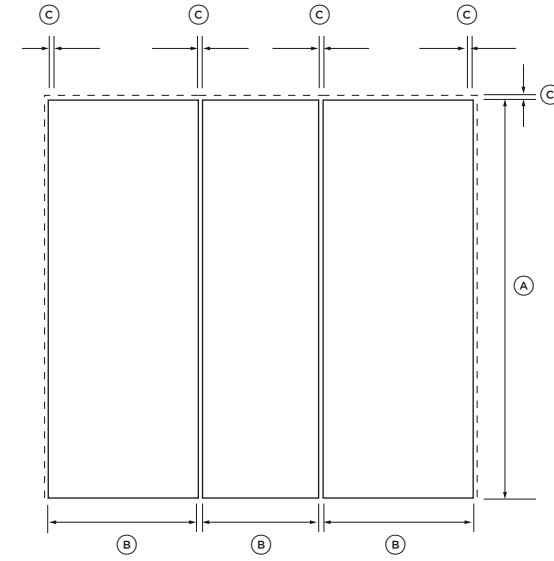


DIMENSIONS	18"		24"		30"	
	IN	MM	IN	MM	IN	MM
Ⓐ Height of door panel	79 7/8	2029	79 7/8	2029	79 7/8	2029
Ⓒ Width of door panel	17 13/16	452	23 13/16	605	29 13/16	757
Ⓒ Minimum clearance between door panels and cabinetry	1/8	3	1/8	3	1/8	3

\*Excluding handle

### TRIPLE INSTALL

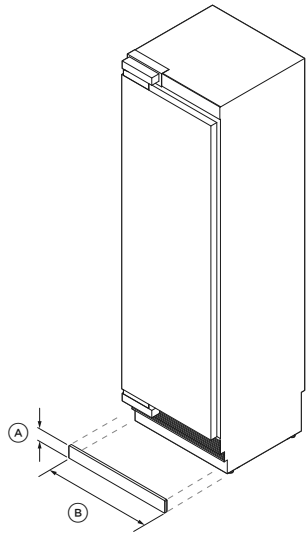
The illustrations below are examples of custom door panels of different combinations for triple installation. Minimum gaps of 1/8" (3mm) must be retained between door panel side edges and cabinetry regardless of door panel widths.



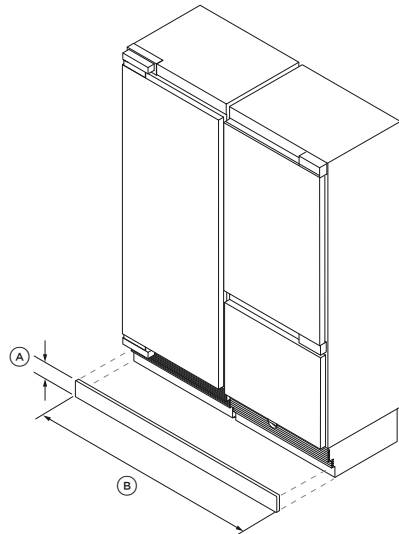
DIMENSIONS	18"		24"		30"	
	IN	MM	IN	MM	IN	MM
Ⓐ Height of door panel	79 7/8	2029	79 7/8	2029	79 7/8	2029
Ⓒ Width of door panel	17 13/16	454	23 13/16	605	29 13/16	757
Ⓒ Minimum clearance between door panels and cabinetry	1/8	3	1/8	3	1/8	3

\*Excluding handle

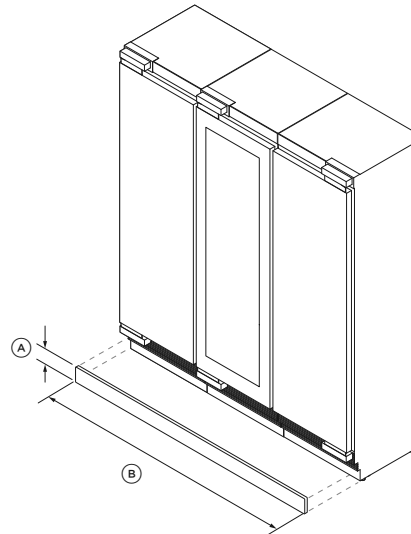
## TOE KICK DIMENSIONS



SINGLE INSTALL

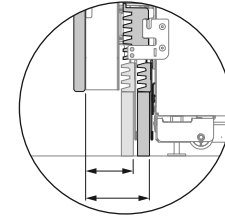


DUAL INSTALL

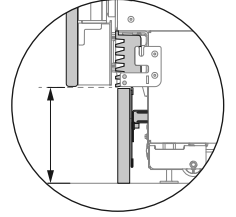


TRIPLE INSTALL

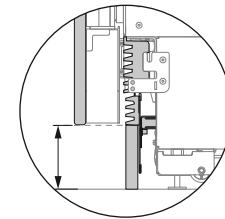
### Custom toe kick options



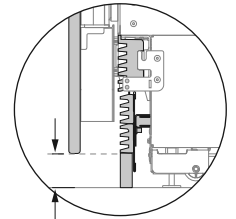
2 7/8" - 4" (73 - 102mm) toe kick clearance measured from rear of door panel



4" (102mm) toe kick height



6" (152mm) toe kick height



2" (51mm) toe kick height (with extra lower grille attached)

### SINGLE INSTALL

STAINLESS STEEL/CUSTOM PANEL	18"		24"		30"	
	IN	MM	IN	MM	IN	MM
Ⓐ Height of toe kick*	4	102	4	102	4	102
Ⓑ Width of toe kick	17 7/8	454	23 7/8	606	29 7/8	759

### DUAL INSTALL

STAINLESS STEEL/CUSTOM PANEL	36"		42"		48"		54"		60"	
	IN	MM	IN	MM	IN	MM	IN	MM	IN	MM
Ⓐ Height of toe kick*	2-6	50-152	2-6	50-152	2-6	50-152	2-6	50-152	2-6	50-152
Ⓑ Width of toe kick	35 7/8	912	41 7/8	1064	47 7/8	1216	53 7/8	1368	59 7/8	1521

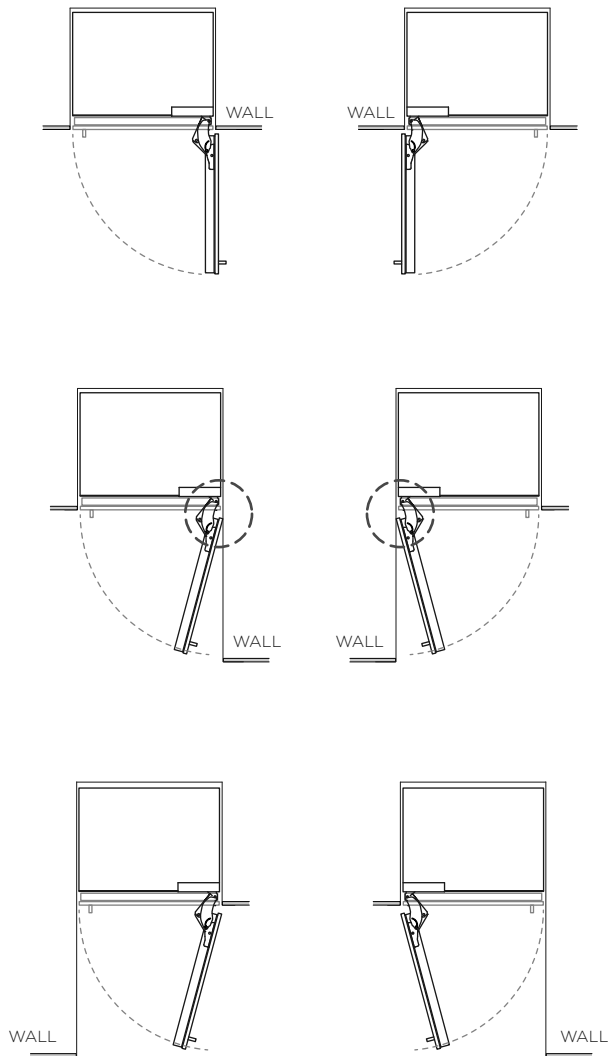
### TRIPLE INSTALL

STAINLESS STEEL/CUSTOM PANEL	66"		72"		78"		84"	
	IN	MM	IN	MM	IN	MM	IN	MM
Ⓐ Height of toe kick*	2-6	50-152	2-6	50-152	2-6	50-152	2-6	50-152
Ⓑ Width of toe kick	65 7/8	1674	71 7/8	1826	78	2131	83 7/8	2283

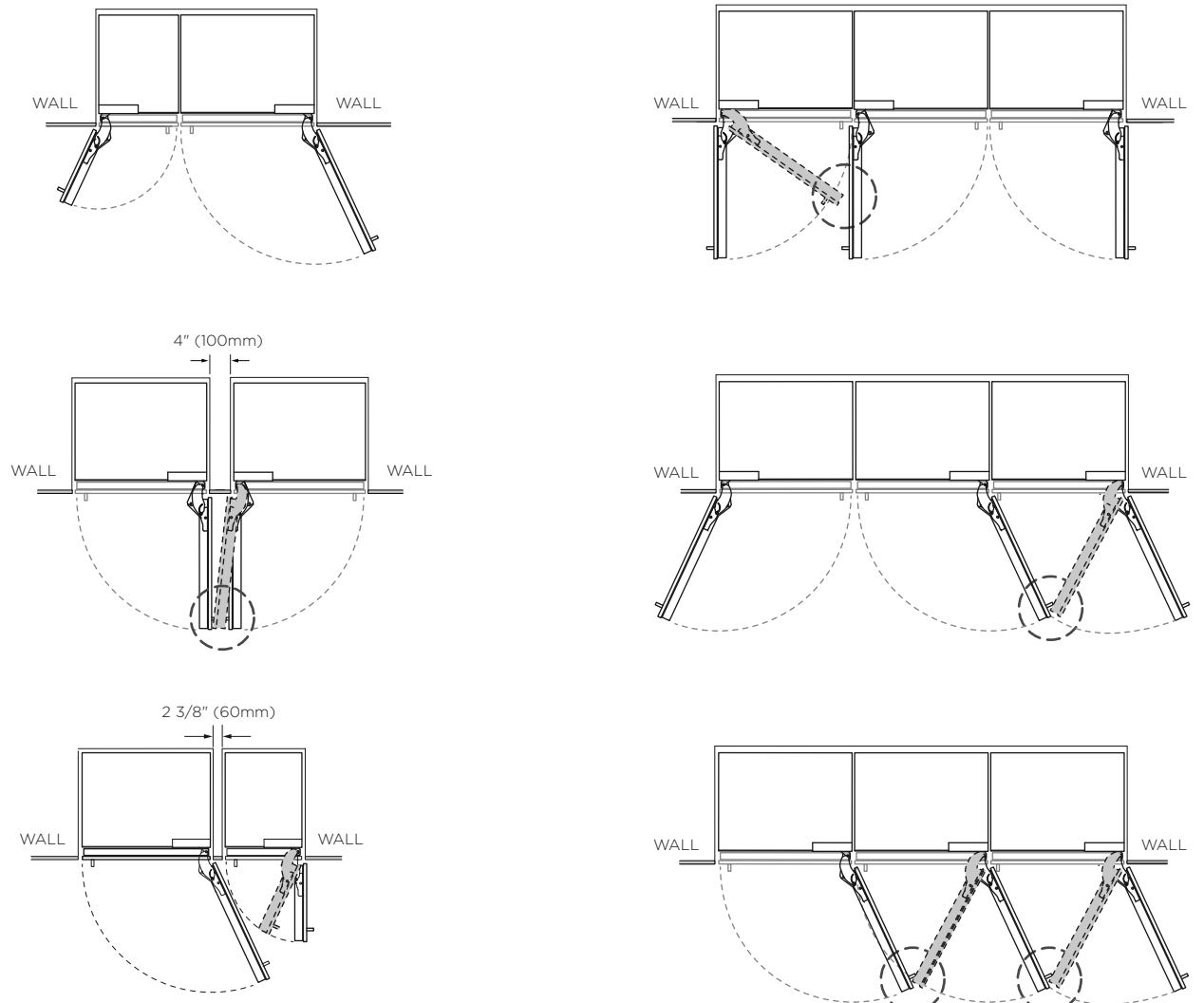
\*Standard toe kick height of toe kick is 4" (102mm) for any install options.

## INSTALLATION OPTIONS

### SINGLE INSTALL

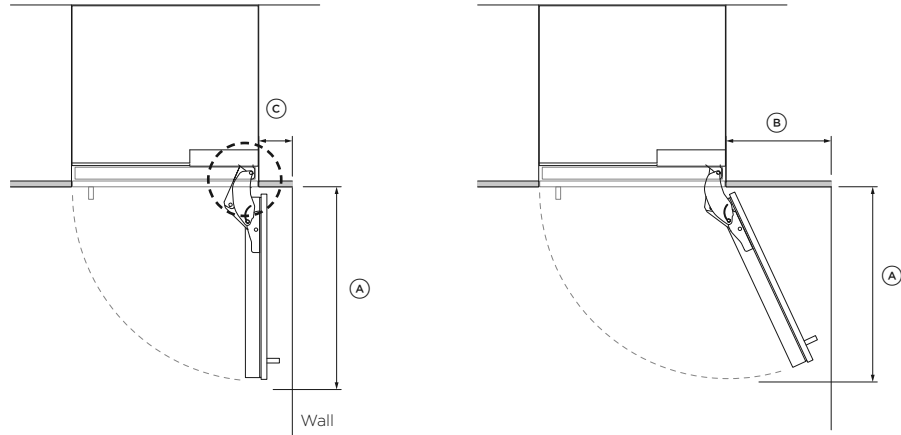


### MULTIPLE INSTALL



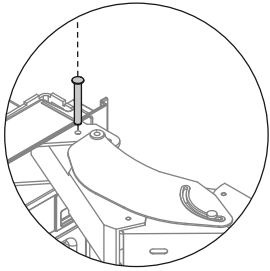
The illustrations above show acceptable installation options with reference to the door opening range and partition (optional). Be aware of clashing (circled) of doors or handles when opening at the same time. If installing a partition between the appliances, ensure there is enough clearance to avoid doors/handles from interfering with each other when opening or closing. If necessary, use a hinge limiting pin to restrict door opening rotation to 90°. Refer to 'Door clearance' for more information.

## DOOR CLEARANCE



LIMITED INTERNAL ACCESS

FULL INTERNAL ACCESS



### Insert hinge limiting pin

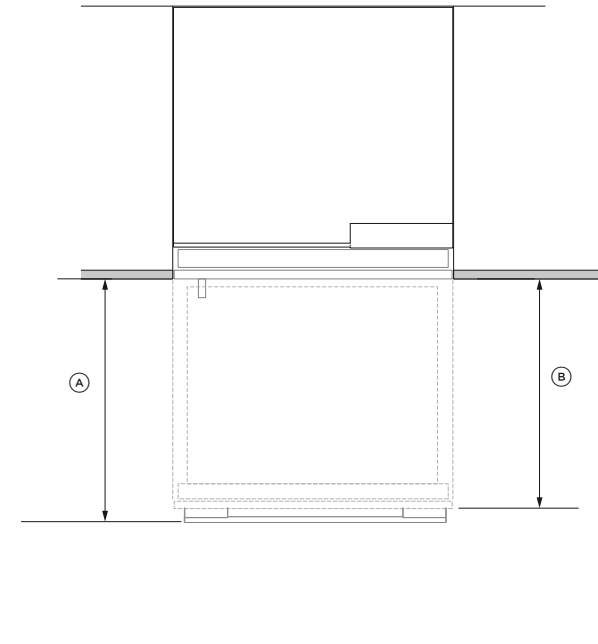
Before pushing the appliance into the cabinetry, insert the supplied hinge limiting pin into the borehole of the top and bottom door hinges. The hinge limiting pin limits door swing to 90°.

For Refrigerator-Freezer models, the hinge limiting pins are inserted into the boreholes of the top and bottom hinges of top door.

DIMENSIONS	18"		24"		30"	
	IN	MM	IN	MM	IN	MM
Ⓐ Width of door (90° open) measured from front of door	20	508	26	660	32	813
Ⓑ Minimum door clearance to adjacent wall* (115° – full internal access)	11 1/2	292	14	356	16 1/2	419
Ⓒ Minimum door clearance* to adjacent wall* (90° – reduced internal access)	4 5/16	110	4 5/16	110	4 5/16	110

## DRAWER CLEARANCE

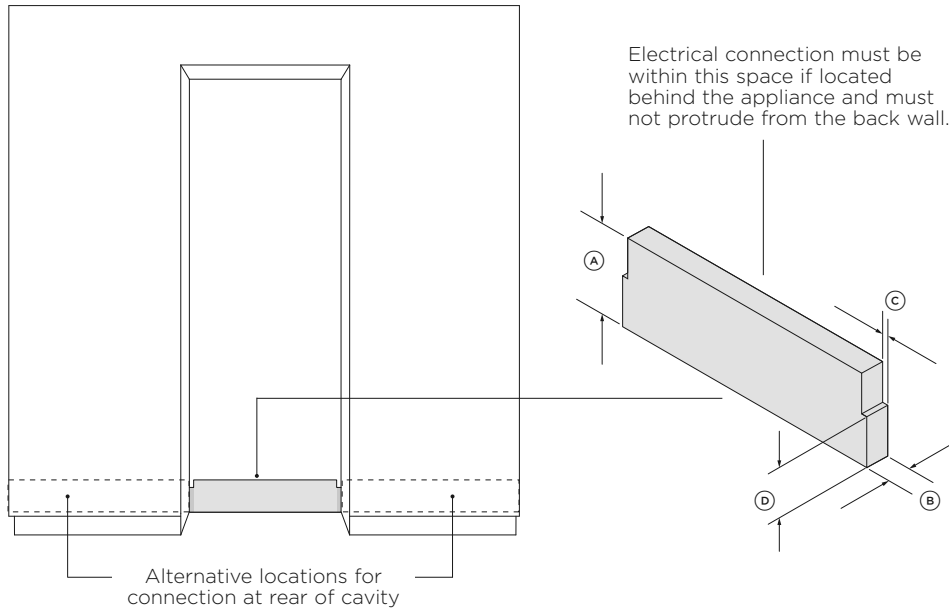
These dimensions apply to Refrigerator-Freezer models only.



DIMENSIONS	24"		30"	
	IN	MM	IN	MM
Ⓐ Maximum drawer extension when open (including handle)*	18 1/8	461	18 1/8	461
Ⓑ Maximum drawer extension when open (excluding handle)	16 9/16	420	16 9/16	420

\*Assumes handle depth of 1 5/8" (41mm).

## ELECTRICAL AND PLUMBING



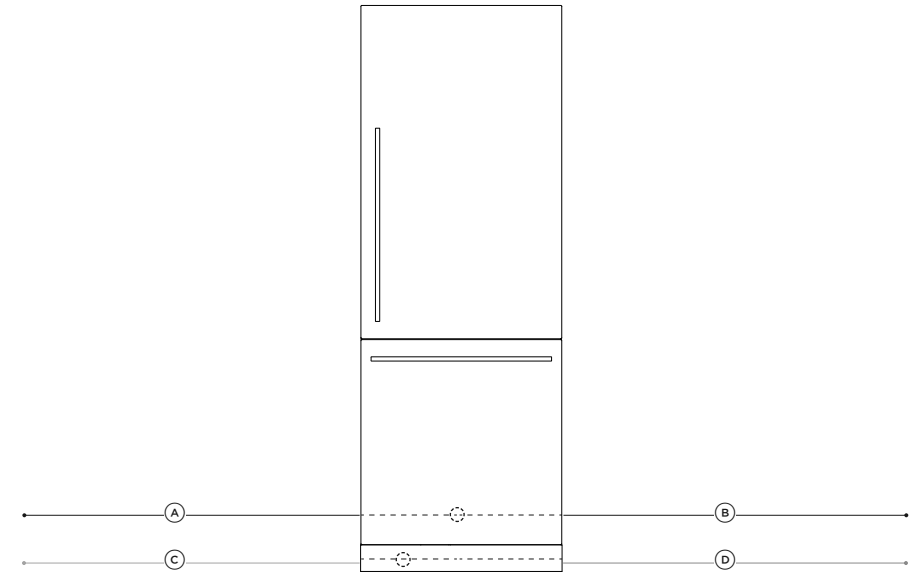
SUPPLY AREA DIMENSIONS	IN	MM
Ⓐ Overall height of supply area	9	229
Ⓑ Overall depth of supply area	1	25
Ⓒ Width of notch in supply area (both sides)	1/2	13
Ⓓ Height of sides of supply area (both sides)	5	127

### ELECTRICAL SPECIFICATIONS

Supply	115 VAC, 60 Hz
Service	10 amp circuit
Receptacle	3-prong grounding-type

### PLUMBING SPECIFICATIONS

Supply	1/2" (12.7mm) BSP Stainless steel braided hose with adaptor
Pressure	22psi (min 151kPa)–120psi (max 827kPa) @ 68°F (20°C)



POWER CORD	18"		24"		30"	
	IN	MM	IN	MM	IN	MM
Ⓐ Total length exiting from left side of appliance (excluding plug)	54 1/2	1385	71 1/4	1809	68 1/4	1733
Ⓑ Total length exiting from right side of appliance (excluding plug)	55 9/16	1411	72 1/4	1835	69 1/4	1759

WATER HOSE	18"		24"		30"	
	IN	MM	IN	MM	IN	MM
Ⓒ Total length exiting from left side of appliance	89 7/16	2271	86 7/16	2196	68 1/4	1733
Ⓓ Total length exiting from right side of appliance	77	1956	72 1/4	1878	69 1/4	1759

# Integrated Column Refrigerator, 30", Water

Series 11 | Integrated

Panel Ready | Right Hinge

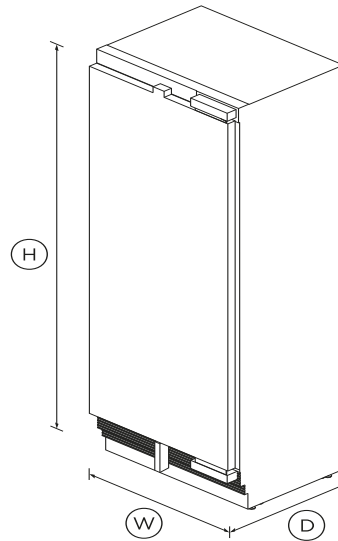


Install it separately or pair with another Column for seamless integration – this model is right hinge with stainless steel interior.

- ActiveSmart™ technology helps keep food fresher for longer by constantly maintaining the ideal temperature
- Two separate Variable Temperature Zones. Choose from Fridge, Pantry or Chill
- Internal water dispenser for convenient access to fresh, chilled water
- Customize with your own kitchen cabinetry or purchase our stainless steel door panel accessory

## DIMENSIONS

Height	84"
Width	29 3/4"
Depth	24"



## FEATURES & BENEFITS

### Variable temperature zones

Create the perfect climate by storing food at their optimal temperature. Change a compartment to Fridge, Pantry or Chill.

### Internal water dispenser

This integrated model features a slimline water dispenser, located on the inside for an uninterrupted exterior. The flush-fit design of the water dispenser maximizes internal storage space, allowing the shelves to be adjusted to suit your needs. Enjoy a

continuous flow of temperature-controlled chilled water to fill almost any size or shape of vessel.

### Appealing illumination

Bright LEDs light up the ceiling, shelves, bins and trays in both refrigerator and freezer, creating a welcoming glow in your kitchen at night and using less power than comparable halogen lights.

### Mix & match

Integrated Column Refrigeration gives you the freedom to mix and match refrigerators and freezers based on your needs – or install separately. They can be customized with your kitchen cabinetry for a seamless look, or finished with one of our stainless steel door panels.

### Clever energy

ActiveSmart™ makes your refrigerator more energy efficient – adapting to daily use and cooling and defrosting only when needed. This means it uses the energy it needs without compromising on food care.

### Design quality

The premium design and quality finish includes a white or stainless steel interior lining, as well as full-extension metal shelf runners for easy access and robust glass shelving.

### Perfect fit

Create an understated and clean look in any kitchen. You can hide our Integrated Column models seamlessly behind your cabinetry, fitting flush with only a 1/8" gap and no visible hinges or grilles.

## SPECIFICATIONS

### Accessories (sold separately)

Door panel stainless steel	<b>30" Right hinge RD3084R4D</b>
Handle kit Contemporary	<b>AHS-RD84</b>
Handle kit Contemporary	<b>AHD5RDSF</b>



Handle kit Contemporary	<b>AHD5RDSFB</b>
Handle kit Contemporary	<b>AHD3-RD84</b>
Handle kit Professional round	<b>AHC-RD84</b>
Handle kit Professional round	<b>AHP3RDSF</b>
Handle kit Professional square	<b>AHV2-RD84</b>
Joiner kit	<b>AJ-RS84LR</b>
Toe kick stainless steel 30"	<b>AKRS3004</b>
Toe kick stainless steel 48"	<b>AKRS4804</b>
Toe kick stainless steel 54"	<b>AKRS5404</b>
Toe kick stainless steel 60"	<b>AKRS6004</b>
Toe kick stainless steel 66"	<b>AKRS6604</b>
Toe kick stainless steel 72"	<b>AKRS7204</b>
Toe kick stainless steel 78"	<b>AKRS7804</b>
Toe kick stainless steel 84"	<b>AKRS8404</b>
Water filter replacement	<b>847200 - FWC3</b>

**Capacity**

Total gross capacity	<b>16.3cu ft</b>
Volume	<b>16.3cu ft</b>
Volume refrigerator	<b>16.3cu ft</b>

**Consumption**

Energy rating	<b>Energy star</b>
---------------	--------------------

**Features**

Adjustable door shelves	<b>4</b>
Adjustable glass cantilevered	<b>•</b>
Adjustable glass shelves	<b>2</b>
Covered door shelves	<b>1</b>
Door alarm	<b>•</b>

Gallon door shelves	<b>1</b>
Internal water dispenser	<b>•</b>
LED bin lighting	<b>•</b>
LED ceiling lighting	<b>•</b>
LED lighting	<b>•</b>
LED side lighting	<b>•</b>
SmartTouch interface at	<b>•</b>
Soft-close fruit and vegetable	<b>•</b>
Stackable bottle holders	<b>4</b>

**Performance**

ActiveSmart™ Foodcare	<b>•</b>
Dual evaporator	<b>•</b>
Humidity control system	<b>•</b>
Inverter controlled compressor	<b>•</b>
Sabbath mode	<b>•</b>
Variable food modes lower	<b>Pantry; Fridge; Chill</b>
Variable food modes upper	<b>Pantry, Fridge</b>
Variable temperature zones	<b>2</b>

**Power requirements**

Rated current	<b>10A</b>
Supply frequency	<b>60Hz</b>
Supply voltage	<b>115V</b>

**Product dimensions**

Depth	<b>24"</b>
Height	<b>84"</b>
Width	<b>29 3/4"</b>

**Product information**

Packaged weight	<b>309lbs</b>
Unpackaged weight	<b>294lbs</b>

**Warranty**

Parts and labor	<b>2 years</b>
Sealed system parts and labor	<b>additional 3 years</b>

SKU	<b>26166</b>
-----	--------------

The product dimensions and specifications in this page apply to the specific product and model. Under our policy of continuous improvement, these dimensions and specifications may change at any time. You should therefore check with Fisher & Paykel's Customer Care Centre to ensure this page correctly describes the model currently available. ? Fisher & Paykel Appliances Ltd 2020

---

Other product downloads available at [fisherpaykel.com](https://fisherpaykel.com)

- [↓](#) Energy Label
- [↓](#) User Guide EN
- [↓](#) Service & Warranty
- [↓](#) Installation Guide - Toe Kick
- [↓](#) Water Filter Replacement Instructions & Installation Guide
- [↓](#) Installation Guide
- [↓](#) Specification Guide Integrated Column Refrigerator
- [↓](#) Data Sheet Integrated Column Fridge
- [↓](#) Data Sheet Integrated Column Fridge Dual Install (18" + 30")
- [↓](#) Data Sheet Integrated Column Fridge Dual Install (24" 30")
- [↓](#) Data Sheet Integrated Column Fridge Dual Install (30" + 30")
- [↓](#) Planning Guide Integrated Columns
- [↓](#) Key Purchase Decisions Integrated Columns



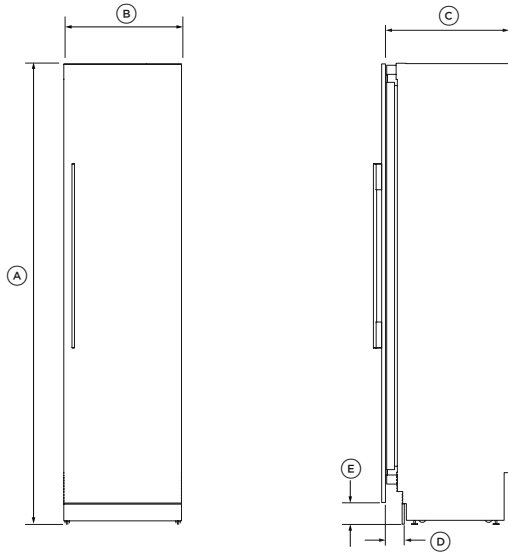
**A PEACE OF MIND SALE**

**24 Hours 7 Days a Week Customer Support**

**T 1.888.936.7872 W [www.fisherpaykel.com](https://www.fisherpaykel.com)**

## PRODUCT DIMENSIONS

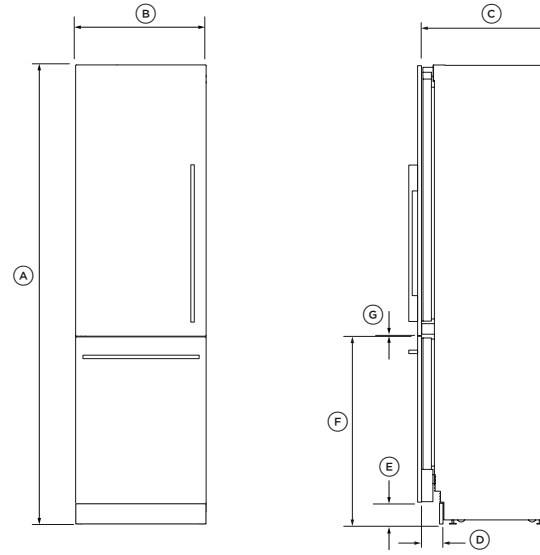
### REFRIGERATOR OR FREEZER



FRONT

PROFILE

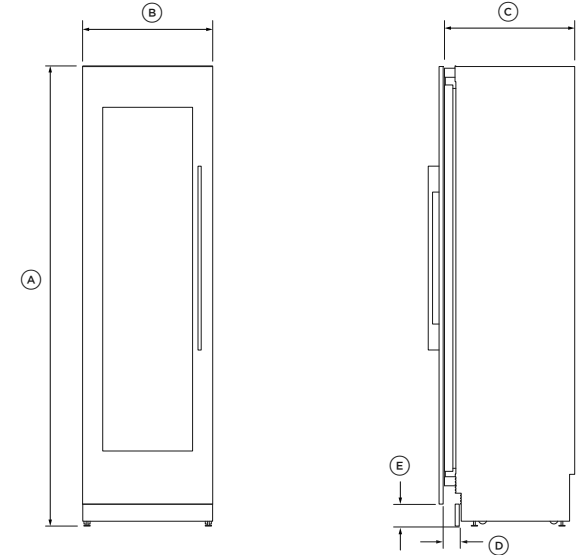
### REFRIGERATOR-FREEZER



FRONT

PROFILE

### WINE CABINET



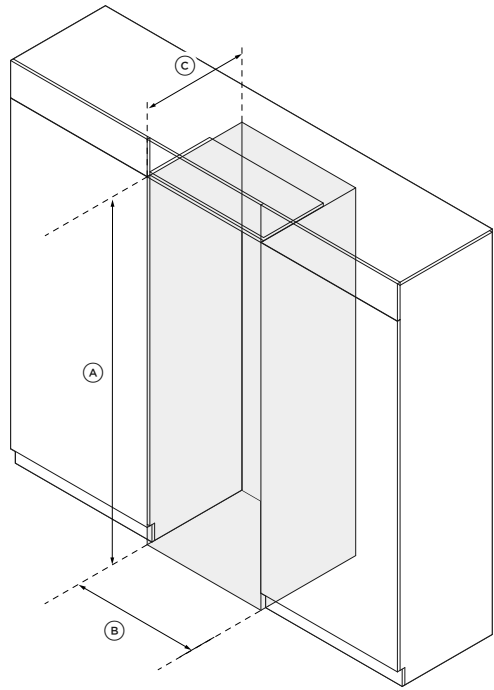
FRONT

PROFILE

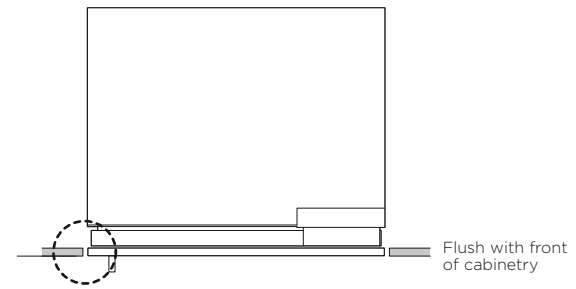
PRODUCT DIMENSIONS	18"		24"		30"	
	IN	MM	IN	MM	IN	MM
Ⓐ Overall height	84	2134	84	2134	84	2134
Ⓑ Overall width	17 3/4	451	23 3/4	603	29 3/4	756
Ⓒ Overall depth (excluding door panel)	24	610	24	610	24	610
Ⓓ Depth of toe kick (measured from back of door panel)	2 7/8-4	73-102	2 7/8-4	73-102	2 7/8-4	73-102
Ⓔ Height from floor to bottom of Stainless steel door/drawer panel	4	102	4	102	4	102
Ⓕ Height from floor to top of drawer panel (Refrigerator-Freezer only)	34 7/16	874	34 7/16	874	34 7/16	874
Ⓖ Gap between door and drawer panels (Refrigerator-Freezer only)	—	—	1/8	3	1/8	3
<b>PRODUCT WEIGHT (WITHOUT PACKAGING)</b>	<b>LB</b>	<b>KG</b>	<b>LB</b>	<b>KG</b>	<b>LB</b>	<b>KG</b>
Refrigerator or Freezer	223	101	258	117	295	134
Refrigerator-Freezer	—	—	313	142	359	163
Wine cabinet	—	—	335	152	—	—

18" model for Freezer only. Wine Cabinet available in 24" only.

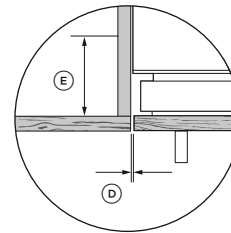
## CABINETY DIMENSIONS – SINGLE INSTALLATION



**ISOMETRIC**

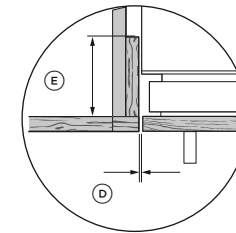


**PLAN**



**UNFRAMED**

Aligns appliance with cabinetry



**FRAMED**

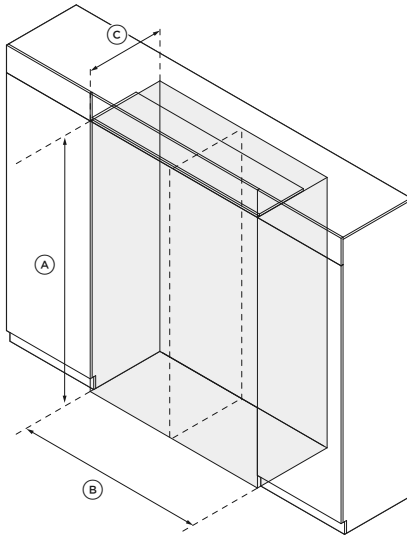
Aligns appliance with frame of cabinetry

<b>CAVITY DIMENSIONS</b>	<b>18"</b>		<b>24"</b>		<b>30"</b>	
	<b>IN</b>	<b>MM</b>	<b>IN</b>	<b>MM</b>	<b>IN</b>	<b>MM</b>
Ⓐ Overall height of cavity	84	2134	84	2134	84	2134
Ⓑ Overall width of cavity	18	457	24	610	24	610
Ⓒ Minimum overall depth of cavity*	25	635	25	635	25	635
Ⓓ Minimum gap from edge of door panel to cabinetry	1/8	3	1/8	3	1/8	3
Ⓔ Minimum required finished return	4	102	4	102	4	102

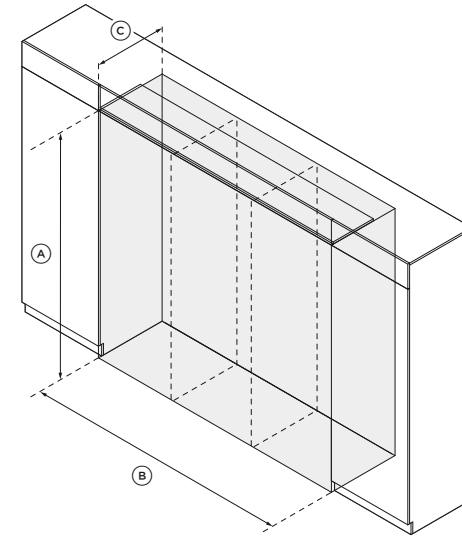
\*Assumes a door panel thickness of 3/4" (19mm).

## CABINETRY DIMENSIONS – MULTIPLE INSTALLATION

### DUAL INSTALL



### TRIPLE INSTALL



#### DUAL INSTALL

CAVITY DIMENSIONS	42"		48"		54"		60"	
	IN	MM	IN	MM	IN	MM	IN	MM
Ⓐ Overall height of cavity	84	2134	84	2134	84	2134	84	2134
Ⓑ Overall width of cavity	42	1067	48	1220	54	1372	60	1524
Ⓒ Minimum overall depth of cavity*	25	635	25	635	25	635	25	635

\*Assumes a door panel thickness of 3/4" (19mm).

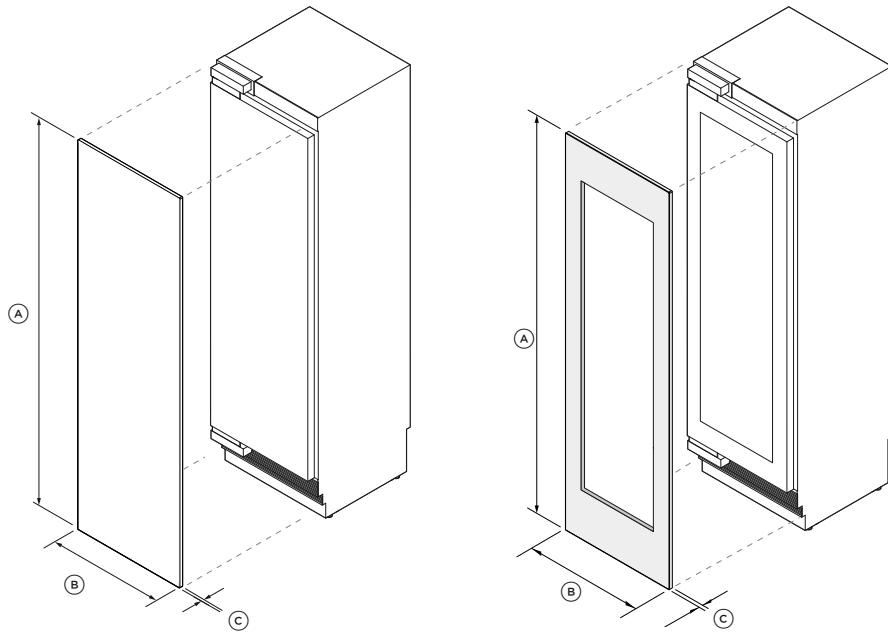
#### TRIPLE INSTALL

CAVITY DIMENSIONS	66"		72"		78"		84"		90"	
	IN	MM	IN	MM	IN	MM	IN	MM	IN	MM
Ⓐ Overall height of cavity	84	2134	84	2134	84	2134	84	2134	84	2134
Ⓑ Overall width of cavity	66	1677	72	1829	78	1982	84	2134	90	2286
Ⓒ Minimum overall depth of cavity*	25	635	25	635	25	635	25	635	25	635

\*Assumes a door panel thickness of 3/4" (19mm).

## STAINLESS STEEL DOOR PANEL DIMENSIONS — SINGLE INSTALLATION

### REFRIGERATOR OR FREEZER / WINE CABINET

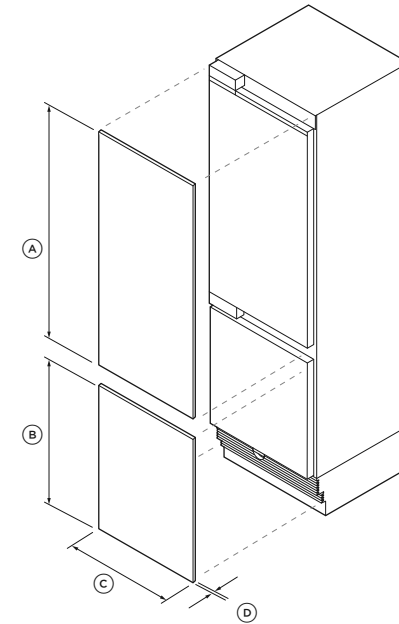


DOOR PANEL DIMENSIONS	18"		24"		30"	
	IN	MM	IN	MM	IN	MM
Ⓐ Height of door panel	79 7/8	2029	79 7/8	2029	79 7/8	2029
Ⓒ Width of door panel	17 3/4	451	23 3/4	603	29 3/4	756
Ⓒ Depth of door panel*	3/4	19	3/4	19	3/4	19

\*Excluding handle

DOOR PANEL WEIGHT	18"		24"		30"	
	LB	KG	LB	KG	LB	KG
Weight of Refrigerator or Freezer door panel	44	20	55	25	66	30
Weight of Wine cabinet door panel	—	—	18	8	—	—

### REFRIGERATOR-FREEZER



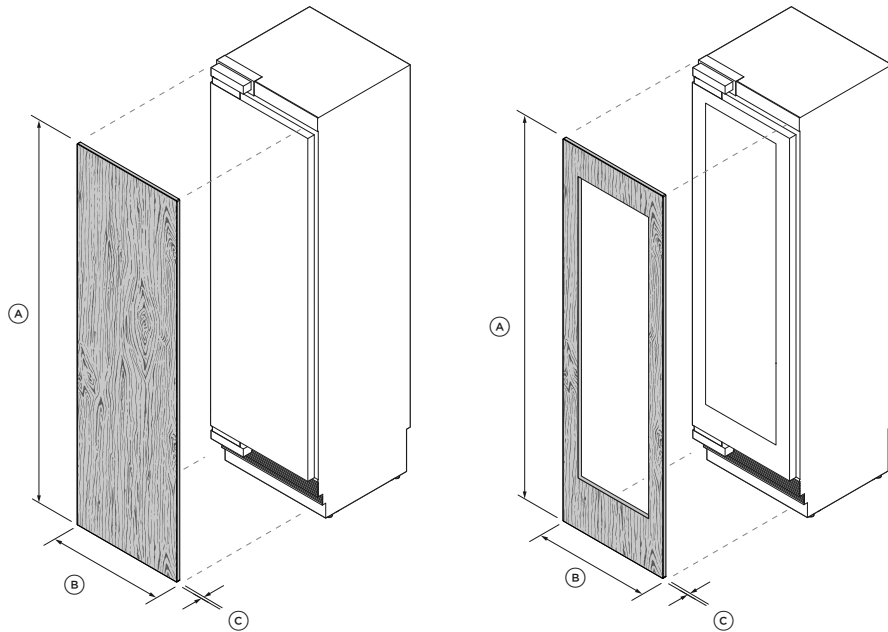
DOOR PANEL DIMENSIONS	24"		30"	
	IN	MM	IN	MM
Ⓐ Height of top door panel	49 3/8	1254	49 3/8	1254
Ⓑ Height of bottom drawer panel	30 3/8	772	30 3/8	772
Ⓒ Width of door panel	23 3/4	603	29 3/4	756
Ⓓ Depth of door panel*	3/4	19	3/4	19

\*Excluding handle

DOOR PANEL WEIGHT	24"		30"	
	LB	KG	LB	KG
Weight of top door panel	20	9	22	10
Weight of bottom drawer panel	13	6	15	7

## CUSTOM DOOR PANEL DIMENSIONS – SINGLE INSTALLATION

### REFRIGERATOR OR FREEZER / WINE CABINET

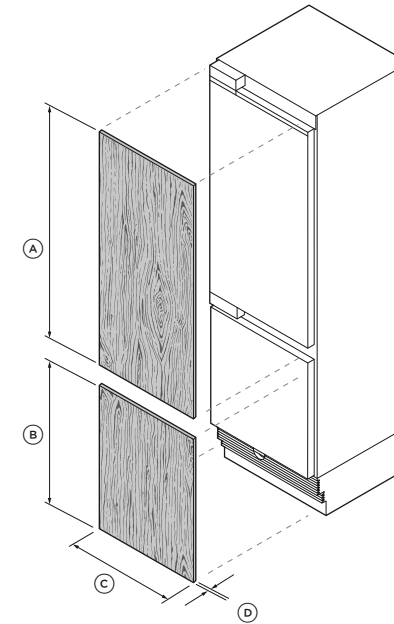


DOOR PANEL DIMENSIONS	18"		24"		30"	
	IN	MM	IN	MM	IN	MM
Ⓐ Height of door panel	77 7/8 - 81 7/8	1978- 2080	77 7/8 - 81 7/8	1978- 2080	77 7/8 - 81 7/8	1978- 2080
Ⓒ Width of door panel	17 3/4	451	23 3/4	603	29 3/4	756
Ⓒ Depth of door panel*	min 5/8 max 1	min 16- max 25	min 5/8 max 1	min 16- max 25	min 5/8 max 1	min 16- max 25

\*Excluding handle

DOOR PANEL WEIGHT	18"		24"		30"	
	LB	KG	LB	KG	LB	KG
Weight of Refrigerator or Freezer door panel	max 44	max 20	max 55	max 25	max 66	max 30
Weight of Wine cabinet door panel	—	—	max 55	max 25	—	—

### REFRIGERATOR-FREEZER



DOOR PANEL DIMENSIONS	24"		30"	
	IN	MM	IN	MM
Ⓐ Height of top door panel	49 3/8	1254	49 3/8	1254
Ⓑ Height of bottom drawer panel	28 3/8 - 32 3/8	721- 822	28 3/8 - 32 3/8	721- 822
Ⓒ Width of door panel	23 3/4	603	29 3/4	756
Ⓓ Depth of door panel*	min 5/8 max 1	min 16- max 25	min 5/8 max 1	min 16- max 25

\*Excluding handle

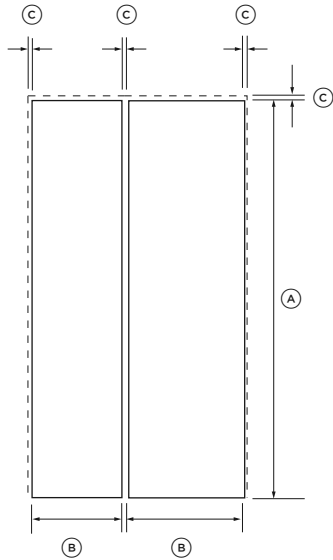
DOOR PANEL WEIGHT	24"		30"	
	LB	KG	LB	KG
Weight of top door panel	max 33	max 15	max 40	max 18
Weight of bottom drawer panel	max 20	max 9	max 24	max 11

For Wine cabinet, the Custom door panel must leave the glass pane visible. A full custom panel sheathing over the glass pane does not meet the specifications of this appliance. For all models, maximum panel weight must not be exceeded.

## CUSTOM DOOR PANEL DIMENSIONS – MULTIPLE INSTALLATION

### DUAL INSTALL

The illustrations below are examples of custom door panels of different combinations for dual installation. Minimum gaps of 1/8" (3mm) must be retained between door panel side edges and cabinetry regardless of door panel widths.

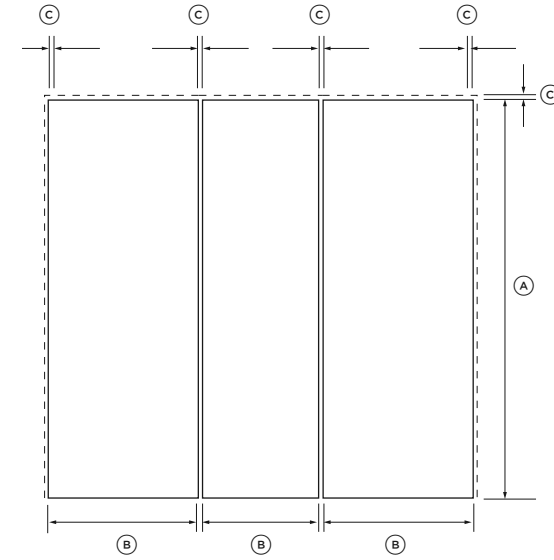


DIMENSIONS	18"		24"		30"	
	IN	MM	IN	MM	IN	MM
Ⓐ Height of door panel	79 7/8	2029	79 7/8	2029	79 7/8	2029
Ⓒ Width of door panel	17 13/16	452	23 13/16	605	29 13/16	757
Ⓒ Minimum clearance between door panels and cabinetry	1/8	3	1/8	3	1/8	3

\*Excluding handle

### TRIPLE INSTALL

The illustrations below are examples of custom door panels of different combinations for triple installation. Minimum gaps of 1/8" (3mm) must be retained between door panel side edges and cabinetry regardless of door panel widths.

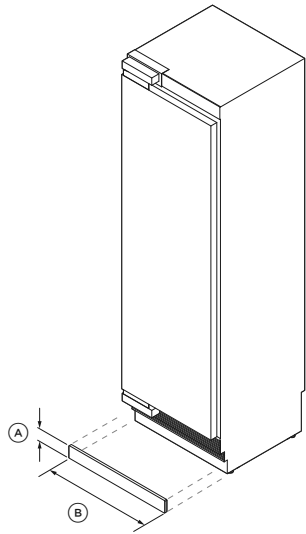


DIMENSIONS	18"		24"		30"	
	IN	MM	IN	MM	IN	MM
Ⓐ Height of door panel	79 7/8	2029	79 7/8	2029	79 7/8	2029
Ⓒ Width of door panel	17 13/16	454	23 13/16	605	29 13/16	757
Ⓒ Minimum clearance between door panels and cabinetry	1/8	3	1/8	3	1/8	3

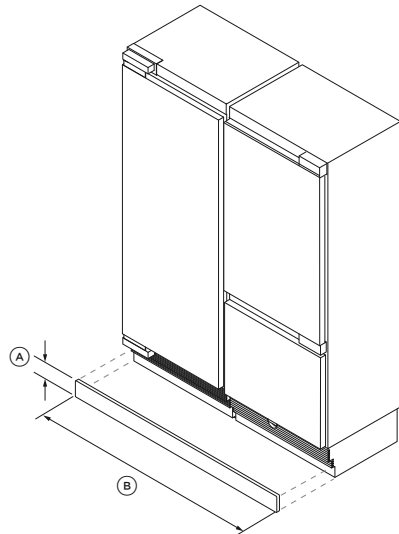
\*Excluding handle



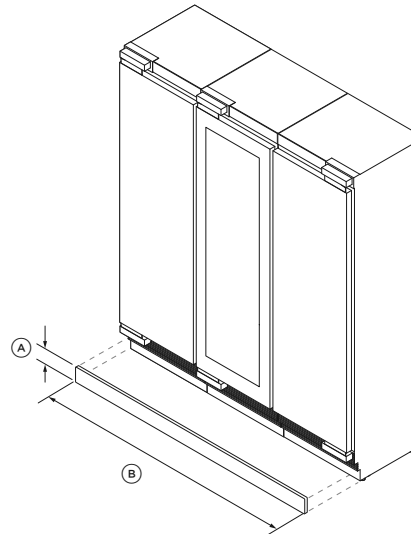
## TOE KICK DIMENSIONS



SINGLE INSTALL

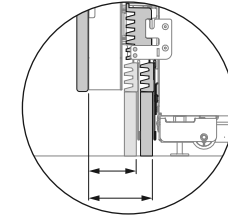


DUAL INSTALL

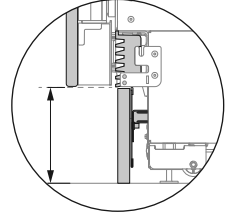


TRIPLE INSTALL

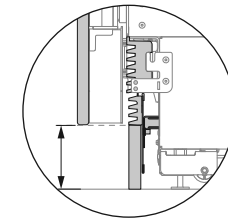
### Custom toe kick options



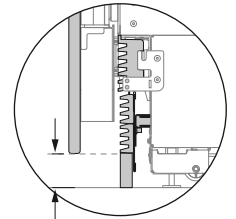
2 7/8" - 4" (73 - 102mm) toe kick clearance measured from rear of door panel



4" (102mm) toe kick height



6" (152mm) toe kick height



2" (51mm) toe kick height (with extra lower grille attached)

### SINGLE INSTALL

STAINLESS STEEL/CUSTOM PANEL	18"		24"		30"	
	IN	MM	IN	MM	IN	MM
Ⓐ Height of toe kick*	4	102	4	102	4	102
Ⓑ Width of toe kick	17 7/8	454	23 7/8	606	29 7/8	759

### DUAL INSTALL

STAINLESS STEEL/CUSTOM PANEL	36"		42"		48"		54"		60"	
	IN	MM	IN	MM	IN	MM	IN	MM	IN	MM
Ⓐ Height of toe kick*	2-6	50-152	2-6	50-152	2-6	50-152	2-6	50-152	2-6	50-152
Ⓑ Width of toe kick	35 7/8	912	41 7/8	1064	47 7/8	1216	53 7/8	1368	59 7/8	1521

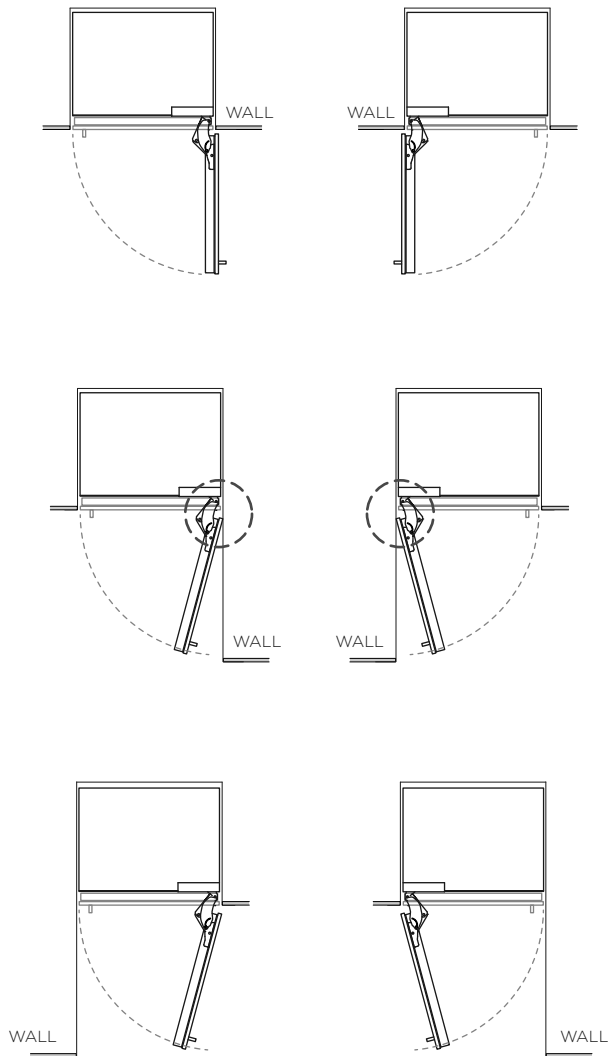
### TRIPLE INSTALL

STAINLESS STEEL/CUSTOM PANEL	66"		72"		78"		84"	
	IN	MM	IN	MM	IN	MM	IN	MM
Ⓐ Height of toe kick*	2-6	50-152	2-6	50-152	2-6	50-152	2-6	50-152
Ⓑ Width of toe kick	65 7/8	1674	71 7/8	1826	78	2131	83 7/8	2283

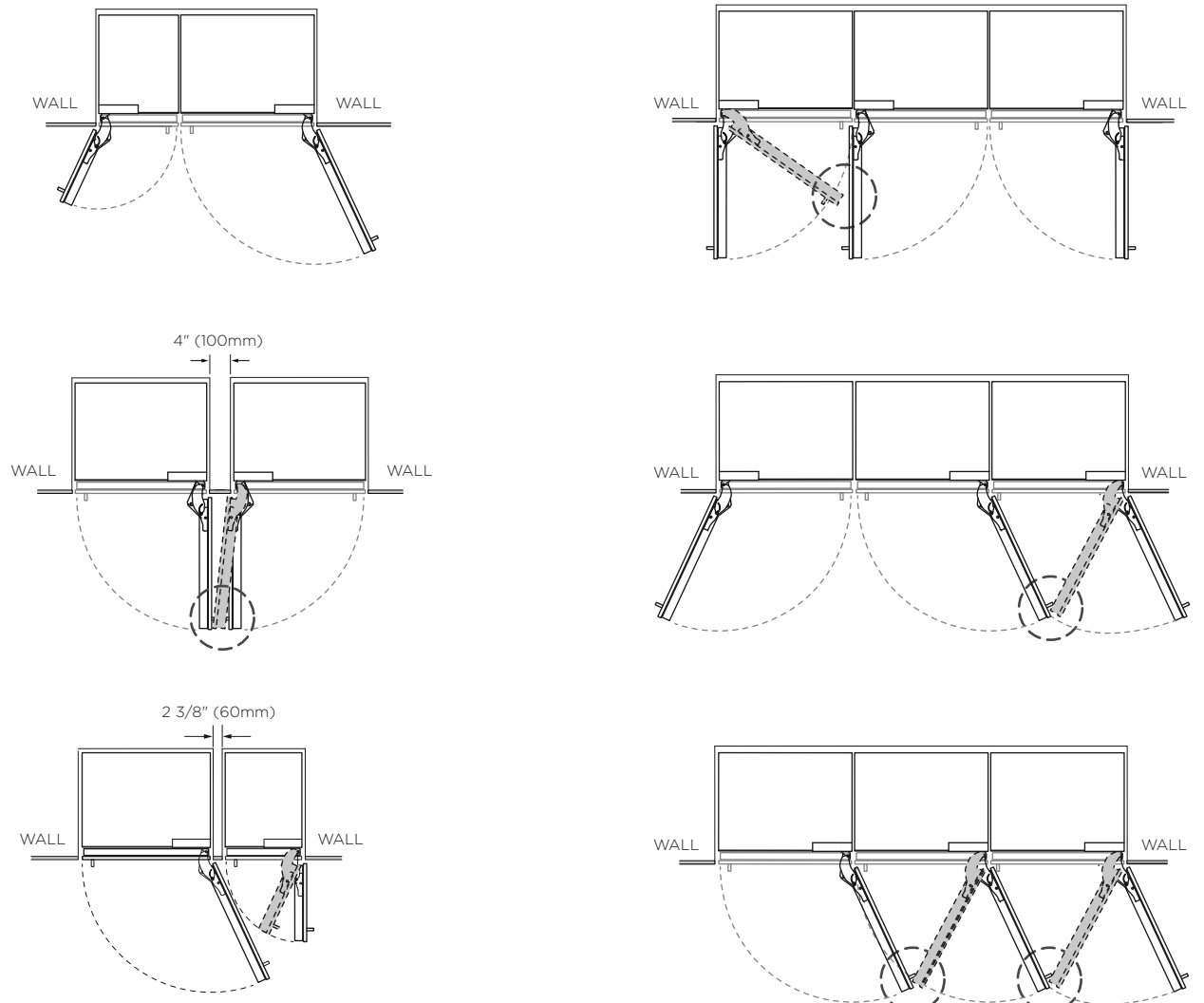
\*Standard toe kick height of toe kick is 4" (102mm) for any install options.

## INSTALLATION OPTIONS

### SINGLE INSTALL

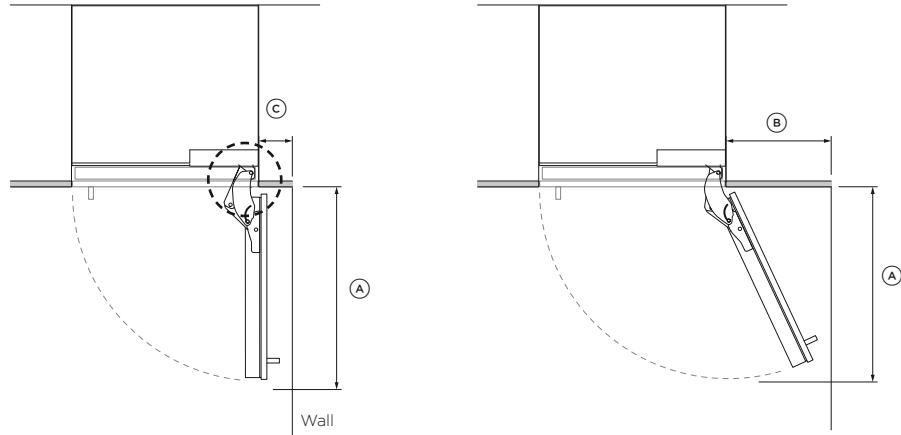


### MULTIPLE INSTALL



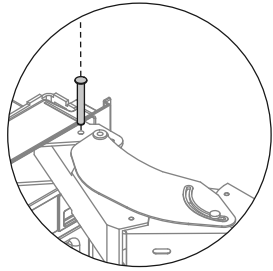
The illustrations above show acceptable installation options with reference to the door opening range and partition (optional). Be aware of clashing (circled) of doors or handles when opening at the same time. If installing a partition between the appliances, ensure there is enough clearance to avoid doors/handles from interfering with each other when opening or closing. If necessary, use a hinge limiting pin to restrict door opening rotation to 90°. Refer to 'Door clearance' for more information.

## DOOR CLEARANCE



LIMITED INTERNAL ACCESS

FULL INTERNAL ACCESS



### Insert hinge limiting pin

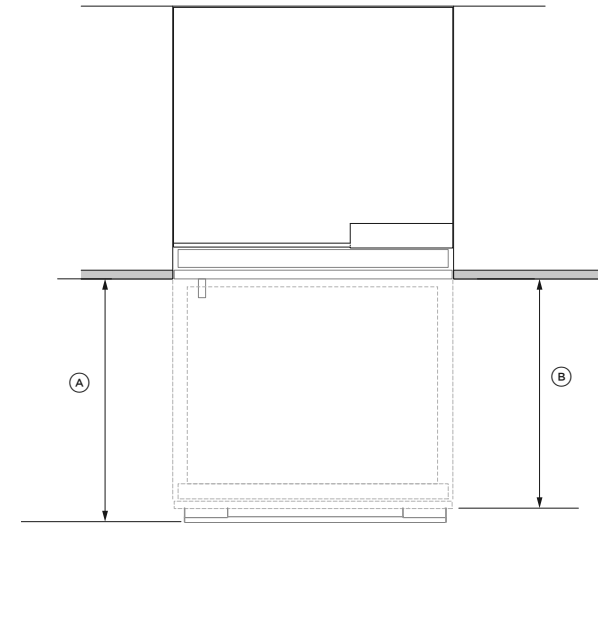
Before pushing the appliance into the cabinetry, insert the supplied hinge limiting pin into the borehole of the top and bottom door hinges. The hinge limiting pin limits door swing to 90°.

For Refrigerator-Freezer models, the hinge limiting pins are inserted into the boreholes of the top and bottom hinges of top door.

DIMENSIONS	18"		24"		30"	
	IN	MM	IN	MM	IN	MM
Ⓐ Width of door (90° open) measured from front of door	20	508	26	660	32	813
Ⓑ Minimum door clearance to adjacent wall* (115° – full internal access)	11 1/2	292	14	356	16 1/2	419
Ⓒ Minimum door clearance* to adjacent wall* (90° – reduced internal access)	4 5/16	110	4 5/16	110	4 5/16	110

## DRAWER CLEARANCE

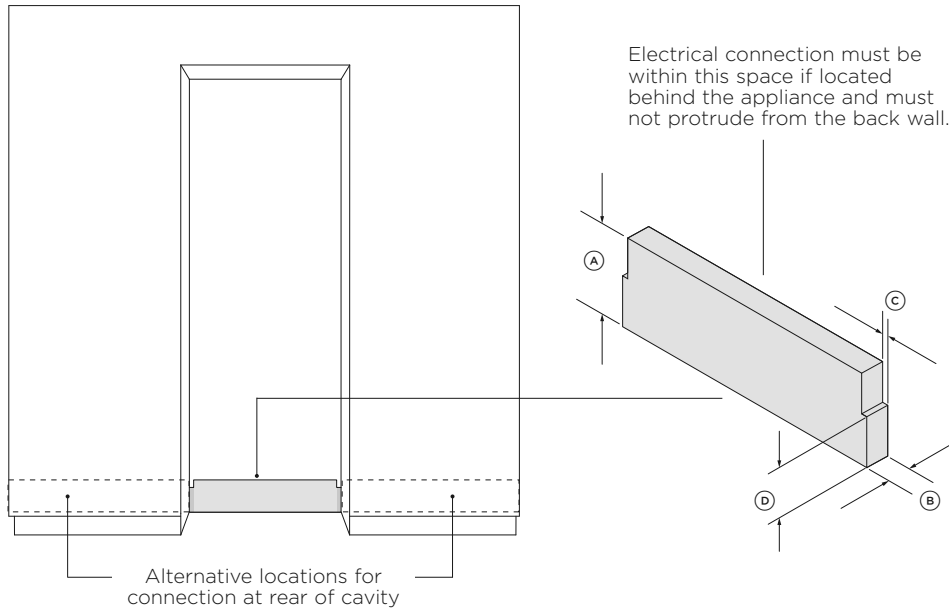
These dimensions apply to Refrigerator-Freezer models only.



DIMENSIONS	24"		30"	
	IN	MM	IN	MM
Ⓐ Maximum drawer extension when open (including handle)*	18 1/8	461	18 1/8	461
Ⓑ Maximum drawer extension when open (excluding handle)	16 9/16	420	16 9/16	420

\*Assumes handle depth of 1 5/8" (41mm).

## ELECTRICAL AND PLUMBING



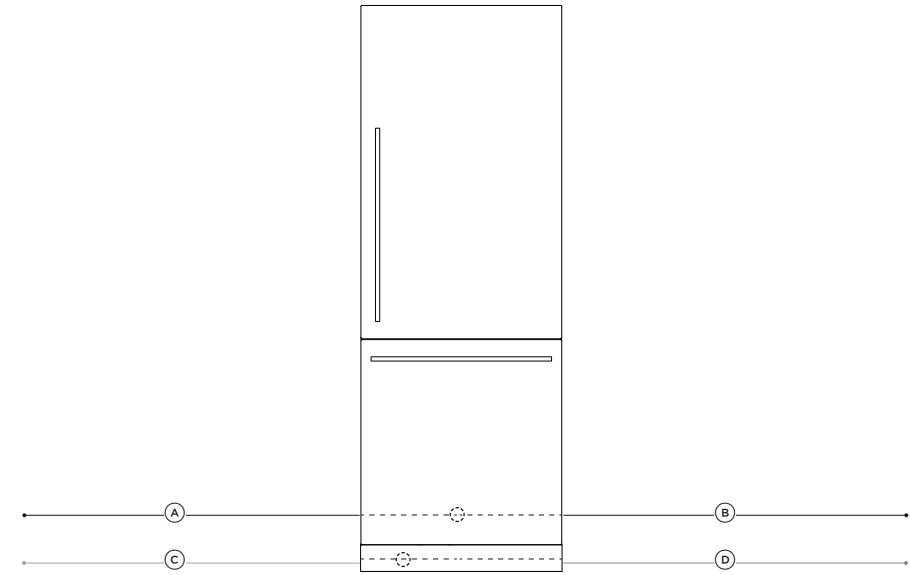
SUPPLY AREA DIMENSIONS	IN	MM
Ⓐ Overall height of supply area	9	229
Ⓑ Overall depth of supply area	1	25
Ⓒ Width of notch in supply area (both sides)	1/2	13
Ⓓ Height of sides of supply area (both sides)	5	127

### ELECTRICAL SPECIFICATIONS

Supply	115 VAC, 60 Hz
Service	10 amp circuit
Receptacle	3-prong grounding-type

### PLUMBING SPECIFICATIONS

Supply	1/2" (12.7mm) BSP Stainless steel braided hose with adaptor
Pressure	22psi (min 151kPa)–120psi (max 827kPa) @ 68°F (20°C)



POWER CORD	18"		24"		30"	
	IN	MM	IN	MM	IN	MM
Ⓐ Total length exiting from left side of appliance (excluding plug)	54 1/2	1385	71 1/4	1809	68 1/4	1733
Ⓑ Total length exiting from right side of appliance (excluding plug)	55 9/16	1411	72 1/4	1835	69 1/4	1759

WATER HOSE	18"		24"		30"	
	IN	MM	IN	MM	IN	MM
Ⓒ Total length exiting from left side of appliance	89 7/16	2271	86 7/16	2196	68 1/4	1733
Ⓓ Total length exiting from right side of appliance	77	1956	72 1/4	1878	69 1/4	1759

# Integrated Column Freezer, 18", Ice

Series 11 | Integrated

Panel Ready | Left hinge

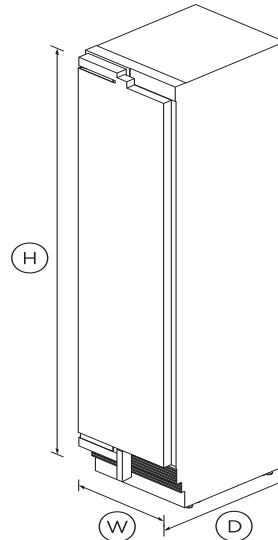


Install it separately or pair with another Column for seamless integration – this model is left hinge with stainless steel interior.

- ActiveSmart™ technology helps keep food fresher for longer by constantly maintaining the ideal temperature
- Two separate Variable Temperature Zones: each with Freeze, Soft Freeze or Deep Freeze
- Internal ice maker with boost for busy times
- Customize with your own kitchen cabinetry or purchase our stainless steel door panel accessory

## DIMENSIONS

Height	84"
Width	17 3/4"
Depth	24"



## FEATURES & BENEFITS

### Variable Temperature Zones

Food is stored in two separate zones. You have the choice of three food modes: Freeze -7°F to 7°F, Soft Freeze 14°F to 18°F and Deep Freeze is fixed at -13°F.

### Mix & match

Integrated Column Refrigeration gives you the freedom to mix and match. Different sized Column Fridges and Freezers can be installed separately or paired. Finish them with our stainless steel door panels or customise to match your own kitchen cabinetry.

### Clever energy

Our Energy Star certified ActiveSmart™ Foodcare Fridge Freezers adapt to daily use by cooling and defrosting only when needed. This means your refrigerator uses the energy it needs without compromising on food care.

### Design quality

The premium design and quality finish includes a steel interior lining as well as full extension metal shelf runners for easy access and robust glass shelving.

### Appealing illumination

Bright LEDs light up the ceiling, shelves, bins and tray in both refrigerator and freezer, making it easy to find your food and creating a welcoming glow in your kitchen for those midnight snacks.

### Easy install

Integrated Column Refrigerators and Freezers have been developed to make their installation easy. The joiner kit is included when pairing refrigerator and freezers. All models come with front adjustable levelling feet and they've been designed to easily slide into place as separate units.

### Perfect fit

These models fit flush and have only 1/8" gaps around them with no visible hinges or grilles. Our Integrated Column models can be seamlessly hidden behind your cabinetry or you can purchase our stainless steel door panel.

## SPECIFICATIONS

### Accessories (sold separately)

Door panel stainless steel	RD1884L4D
Handle kit Contemporary	AHS-RD84
Handle kit Contemporary	AHD5RDSF
Handle kit Contemporary	AHD5RDSFB
Handle kit Contemporary	AHD3-RD84

Handle kit Professional round	<b>AHC-RD84</b>
Handle kit Professional round	<b>AHC-RD84</b>
Handle kit Professional square	<b>AHV2-RD84</b>
Joiner kit	<b>AJ-RS84LR</b>
Toe kick stainless steel 18"	<b>AKRS1804</b>
Toe kick stainless steel 42"	<b>AKRS4204</b>
Toe kick stainless steel 48"	<b>AKRS4804</b>
Toe kick stainless steel 54"	<b>AKRS5404</b>
Toe kick stainless steel 60"	<b>AKRS6004</b>
Toe kick stainless steel 66"	<b>AKRS6604</b>
Toe kick stainless steel 72"	<b>AKRS7204</b>
Toe kick stainless steel 78"	<b>AKRS7804</b>
Toe kick stainless steel 84"	<b>AKRS8404</b>

**Capacity**

Total gross capacity	<b>7.8cu ft</b>
Volume	<b>7.8cu ft</b>
Volume freezer	<b>7.8cu ft</b>

**Consumption**

Energy rating	<b>Energy star</b>
Energy usage	<b>415kWh/year</b>

**Features**

Adjustable door shelves	<b>4</b>
Adjustable glass cantilevered	<b>•</b>
Door alarm	<b>•</b>

**Freezer Features**

Automatic ice maker	<b>•</b>
---------------------	----------

Bottle chill	<b>•</b>
Door alarm	<b>•</b>
Fast freeze	<b>•</b>
Freezer bins	<b>4</b>
Glass shelves	<b>3</b>
Ice Boost	<b>•</b>
LED bin lighting	<b>•</b>
LED ceiling lighting	<b>•</b>
LED side lighting	<b>•</b>
SmartTouch interface at	<b>•</b>

**Performance**

ActiveSmart™ Foodcare	<b>•</b>
Adaptive defrost	<b>•</b>
Dual evaporator	<b>•</b>
Frost free	<b>•</b>
Inverter controlled compressor	<b>•</b>
Sabbath mode	<b>•</b>
Variable temperature zones	<b>2</b>

**Power requirements**

Rated current	<b>10A</b>
Supply frequency	<b>60Hz</b>
Supply voltage	<b>115V</b>

**Product dimensions**

Depth	<b>24"</b>
Height	<b>84"</b>
Width	<b>17 3/4"</b>

**Safety and compliance**

ADA compliant	<b>•</b>
---------------	----------

**Warranty**

Parts and labor	<b>2 years</b>
Sealed system parts only	<b>5 years</b>

SKU	<b>26116</b>
-----	--------------

The product dimensions and specifications in this page apply to the specific product and model. Under our policy of continuous improvement, these dimensions and specifications may change at any time. You should therefore check with Fisher & Paykel's Customer Care Centre to ensure this page correctly describes the model currently available. ? Fisher & Paykel Appliances Ltd 2020

---

Other product downloads available at [fisherpaykel.com](https://fisherpaykel.com)

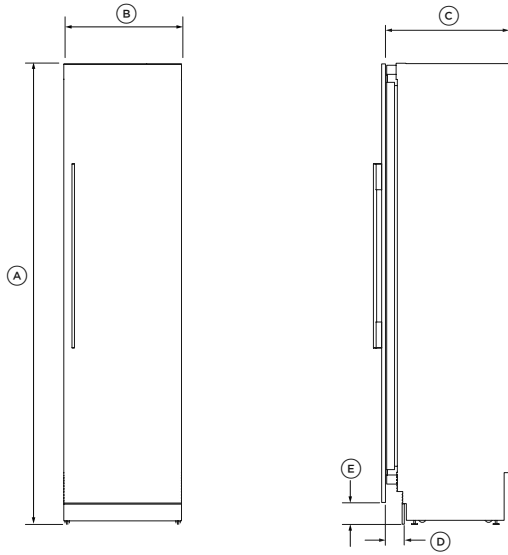
- [↓](#) User Guide
- [↓](#) Energy Label
- [↓](#) User Guide Integrated Refrigerator Freezer
- [↓](#) Service & Warranty
- [↓](#) User Guide EN
- [↓](#) Installation Guide
- [↓](#) Installation Guide - Toe Kick
- [↓](#) Water Filter Replacement Instructions & Installation Guide
- [↓](#) Installation Guide
- [↓](#) Specification Guide Integrated Column Freezer
- [↓](#) Data Sheet Integrated Column Freezer
- [↓](#) Data Sheet Integrated Column Freezer Dual Install (18" + 24")
- [↓](#) Data Sheet Integrated Column Freezer Dual Install (18" + 30")
- [↓](#) Planning Guide Integrated Column Freezer
- [↓](#) Key Purchase Decisions Integrated Column Freezer



**A PEACE OF MIND SALE**  
24 Hours 7 Days a Week Customer Support  
T 1.888.936.7872 W [www.fisherpaykel.com](https://www.fisherpaykel.com)

## PRODUCT DIMENSIONS

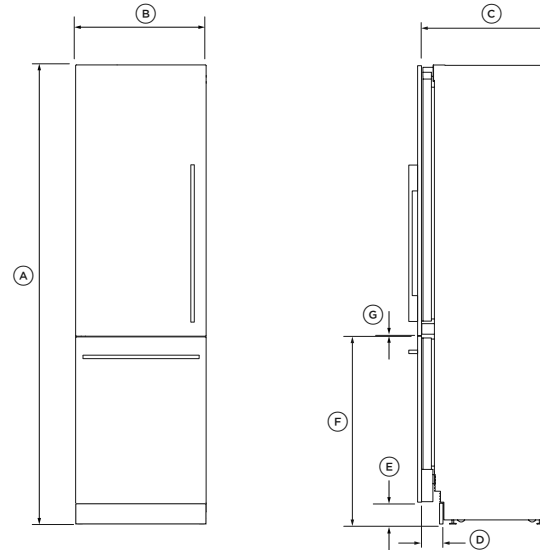
### REFRIGERATOR OR FREEZER



FRONT

PROFILE

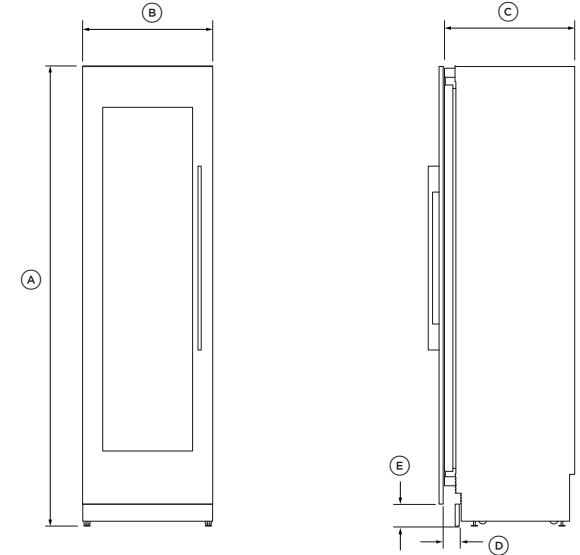
### REFRIGERATOR-FREEZER



FRONT

PROFILE

### WINE CABINET



FRONT

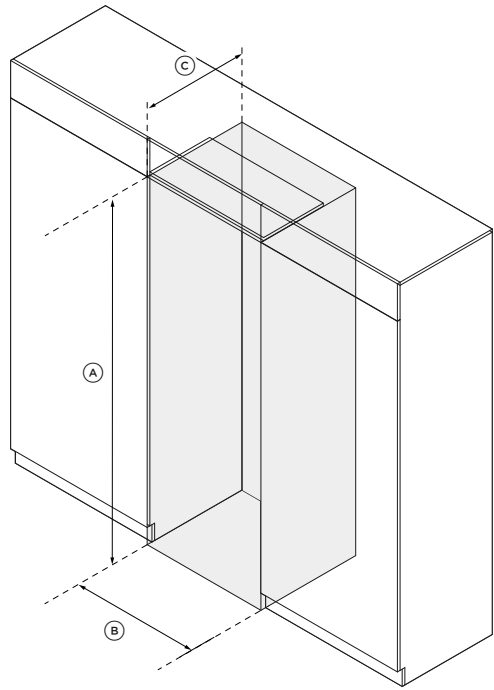
PROFILE

PRODUCT DIMENSIONS	18"		24"		30"	
	IN	MM	IN	MM	IN	MM
Ⓐ Overall height	84	2134	84	2134	84	2134
Ⓑ Overall width	17 3/4	451	23 3/4	603	29 3/4	756
Ⓒ Overall depth (excluding door panel)	24	610	24	610	24	610
Ⓓ Depth of toe kick (measured from back of door panel)	2 7/8-4	73-102	2 7/8-4	73-102	2 7/8-4	73-102
Ⓔ Height from floor to bottom of Stainless steel door/drawer panel	4	102	4	102	4	102
Ⓕ Height from floor to top of drawer panel (Refrigerator-Freezer only)	34 7/16	874	34 7/16	874	34 7/16	874
Ⓖ Gap between door and drawer panels (Refrigerator-Freezer only)	—	—	1/8	3	1/8	3
<b>PRODUCT WEIGHT (WITHOUT PACKAGING)</b>	<b>LB</b>	<b>KG</b>	<b>LB</b>	<b>KG</b>	<b>LB</b>	<b>KG</b>
Refrigerator or Freezer	223	101	258	117	295	134
Refrigerator-Freezer	—	—	313	142	359	163
Wine cabinet	—	—	335	152	—	—

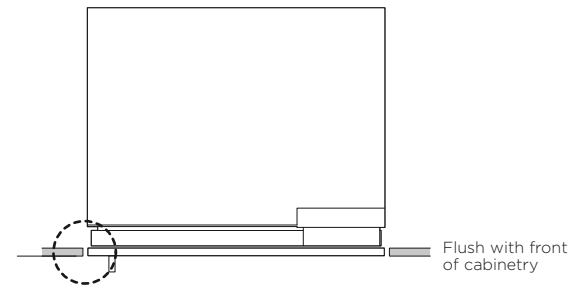
18" model for Freezer only. Wine Cabinet available in 24" only.



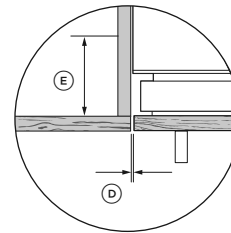
## CABINETY DIMENSIONS – SINGLE INSTALLATION



**ISOMETRIC**

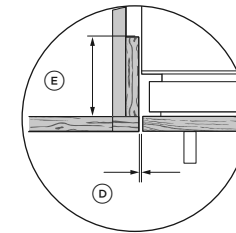


**PLAN**



**UNFRAMED**

Aligns appliance with cabinetry



**FRAMED**

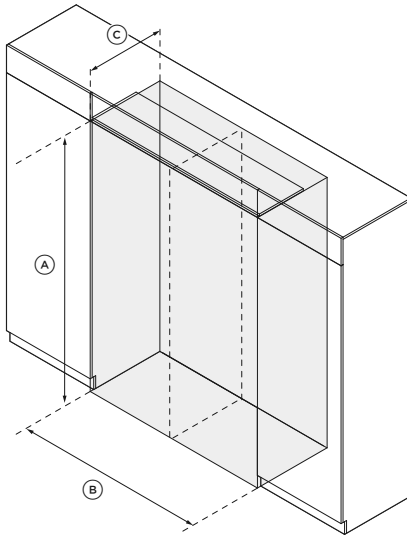
Aligns appliance with frame of cabinetry

<b>CAVITY DIMENSIONS</b>	<b>18"</b>		<b>24"</b>		<b>30"</b>	
	<b>IN</b>	<b>MM</b>	<b>IN</b>	<b>MM</b>	<b>IN</b>	<b>MM</b>
Ⓐ Overall height of cavity	84	2134	84	2134	84	2134
Ⓑ Overall width of cavity	18	457	24	610	24	610
Ⓒ Minimum overall depth of cavity*	25	635	25	635	25	635
Ⓓ Minimum gap from edge of door panel to cabinetry	1/8	3	1/8	3	1/8	3
Ⓔ Minimum required finished return	4	102	4	102	4	102

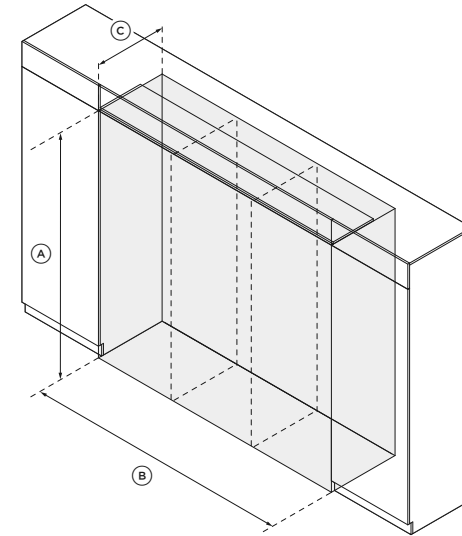
\*Assumes a door panel thickness of 3/4" (19mm).

## CABINETRY DIMENSIONS – MULTIPLE INSTALLATION

### DUAL INSTALL



### TRIPLE INSTALL



#### DUAL INSTALL

CAVITY DIMENSIONS	42"		48"		54"		60"	
	IN	MM	IN	MM	IN	MM	IN	MM
Ⓐ Overall height of cavity	84	2134	84	2134	84	2134	84	2134
Ⓑ Overall width of cavity	42	1067	48	1220	54	1372	60	1524
Ⓒ Minimum overall depth of cavity*	25	635	25	635	25	635	25	635

\*Assumes a door panel thickness of 3/4" (19mm).

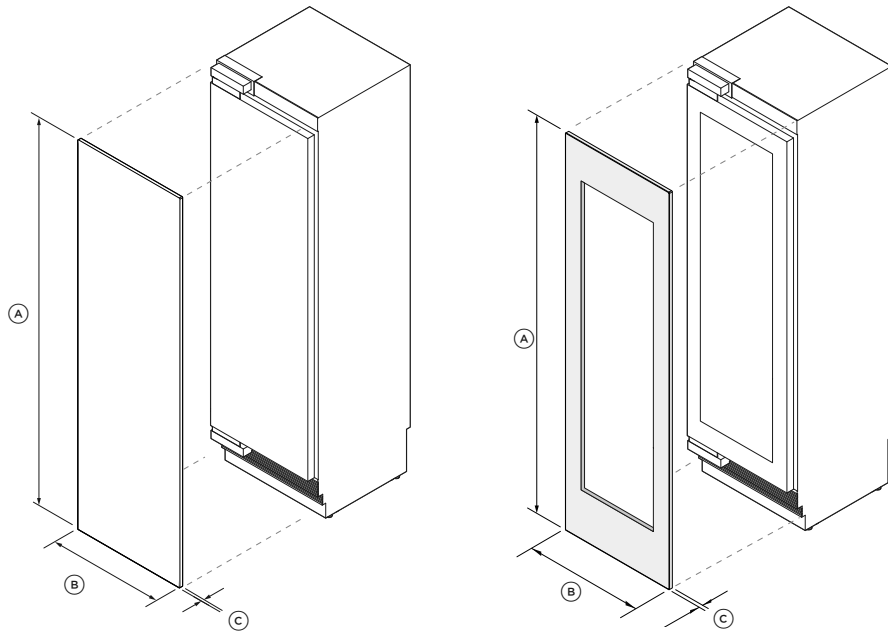
#### TRIPLE INSTALL

CAVITY DIMENSIONS	66"		72"		78"		84"		90"	
	IN	MM	IN	MM	IN	MM	IN	MM	IN	MM
Ⓐ Overall height of cavity	84	2134	84	2134	84	2134	84	2134	84	2134
Ⓑ Overall width of cavity	66	1677	72	1829	78	1982	84	2134	90	2286
Ⓒ Minimum overall depth of cavity*	25	635	25	635	25	635	25	635	25	635

\*Assumes a door panel thickness of 3/4" (19mm).

## STAINLESS STEEL DOOR PANEL DIMENSIONS — SINGLE INSTALLATION

### REFRIGERATOR OR FREEZER / WINE CABINET

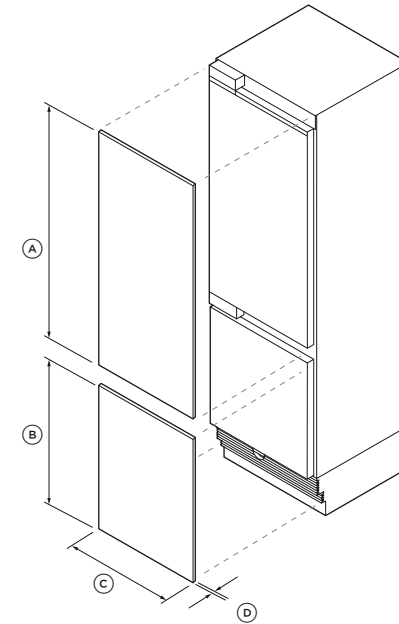


DOOR PANEL DIMENSIONS	18"		24"		30"	
	IN	MM	IN	MM	IN	MM
Ⓐ Height of door panel	79 7/8	2029	79 7/8	2029	79 7/8	2029
Ⓒ Width of door panel	17 3/4	451	23 3/4	603	29 3/4	756
Ⓒ Depth of door panel*	3/4	19	3/4	19	3/4	19

\*Excluding handle

DOOR PANEL WEIGHT	18"		24"		30"	
	LB	KG	LB	KG	LB	KG
Weight of Refrigerator or Freezer door panel	44	20	55	25	66	30
Weight of Wine cabinet door panel	—	—	18	8	—	—

### REFRIGERATOR-FREEZER



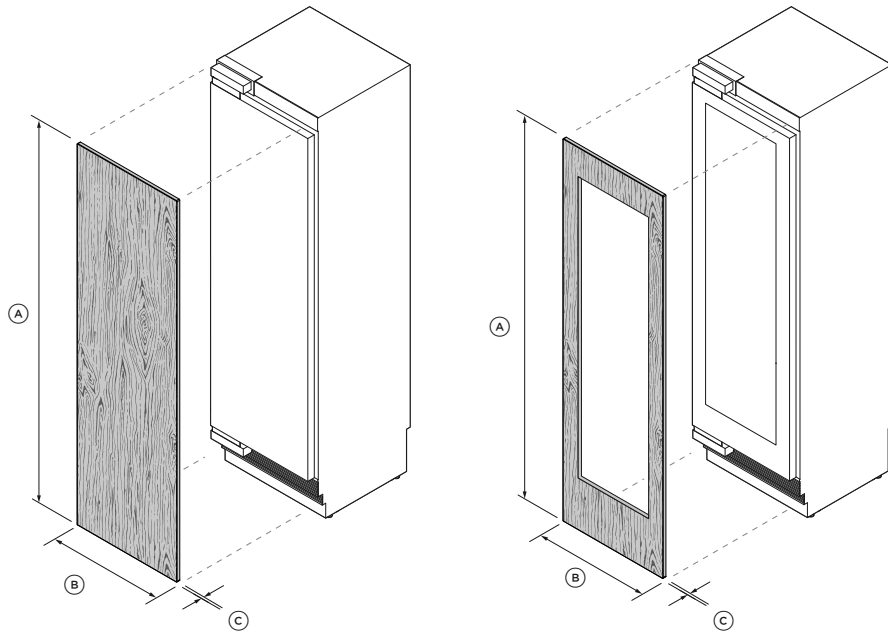
DOOR PANEL DIMENSIONS	24"		30"	
	IN	MM	IN	MM
Ⓐ Height of top door panel	49 3/8	1254	49 3/8	1254
Ⓑ Height of bottom drawer panel	30 3/8	772	30 3/8	772
Ⓒ Width of door panel	23 3/4	603	29 3/4	756
Ⓓ Depth of door panel*	3/4	19	3/4	19

\*Excluding handle

DOOR PANEL WEIGHT	24"		30"	
	LB	KG	LB	KG
Weight of top door panel	20	9	22	10
Weight of bottom drawer panel	13	6	15	7

## CUSTOM DOOR PANEL DIMENSIONS – SINGLE INSTALLATION

### REFRIGERATOR OR FREEZER / WINE CABINET

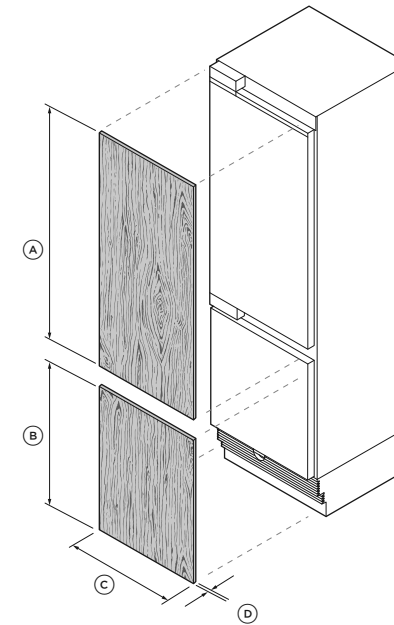


DOOR PANEL DIMENSIONS	18"		24"		30"	
	IN	MM	IN	MM	IN	MM
Ⓐ Height of door panel	77 7/8 - 81 7/8	1978- 2080	77 7/8 - 81 7/8	1978- 2080	77 7/8 - 81 7/8	1978- 2080
Ⓒ Width of door panel	17 3/4	451	23 3/4	603	29 3/4	756
Ⓒ Depth of door panel*	min 5/8 max 1	min 16- max 25	min 5/8 max 1	min 16- max 25	min 5/8 max 1	min 16- max 25

\*Excluding handle

DOOR PANEL WEIGHT	18"		24"		30"	
	LB	KG	LB	KG	LB	KG
Weight of Refrigerator or Freezer door panel	max 44	max 20	max 55	max 25	max 66	max 30
Weight of Wine cabinet door panel	—	—	max 55	max 25	—	—

### REFRIGERATOR-FREEZER



DOOR PANEL DIMENSIONS	24"		30"	
	IN	MM	IN	MM
Ⓐ Height of top door panel	49 3/8	1254	49 3/8	1254
Ⓑ Height of bottom drawer panel	28 3/8 - 32 3/8	721- 822	28 3/8 - 32 3/8	721- 822
Ⓒ Width of door panel	23 3/4	603	29 3/4	756
Ⓓ Depth of door panel*	min 5/8 max 1	min 16- max 25	min 5/8 max 1	min 16- max 25

\*Excluding handle

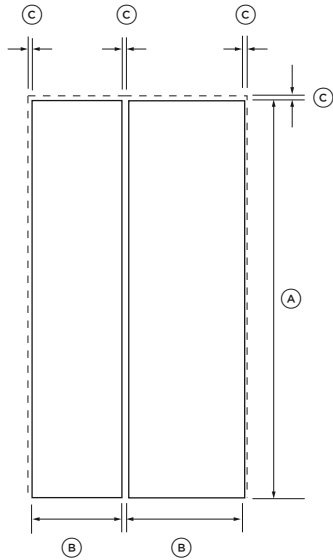
DOOR PANEL WEIGHT	24"		30"	
	LB	KG	LB	KG
Weight of top door panel	max 33	max 15	max 40	max 18
Weight of bottom drawer panel	max 20	max 9	max 24	max 11

For Wine cabinet, the Custom door panel must leave the glass pane visible. A full custom panel sheathing over the glass pane does not meet the specifications of this appliance.  
For all models, maximum panel weight must not be exceeded.

## CUSTOM DOOR PANEL DIMENSIONS – MULTIPLE INSTALLATION

### DUAL INSTALL

The illustrations below are examples of custom door panels of different combinations for dual installation. Minimum gaps of 1/8" (3mm) must be retained between door panel side edges and cabinetry regardless of door panel widths.

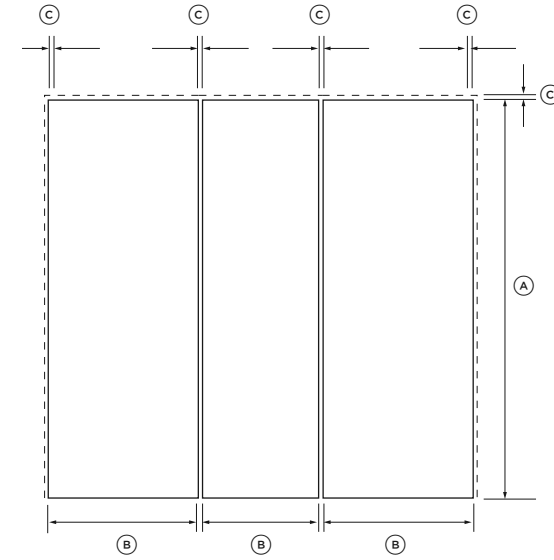


DIMENSIONS	18"		24"		30"	
	IN	MM	IN	MM	IN	MM
Ⓐ Height of door panel	79 7/8	2029	79 7/8	2029	79 7/8	2029
Ⓒ Width of door panel	17 13/16	452	23 13/16	605	29 13/16	757
Ⓒ Minimum clearance between door panels and cabinetry	1/8	3	1/8	3	1/8	3

\*Excluding handle

### TRIPLE INSTALL

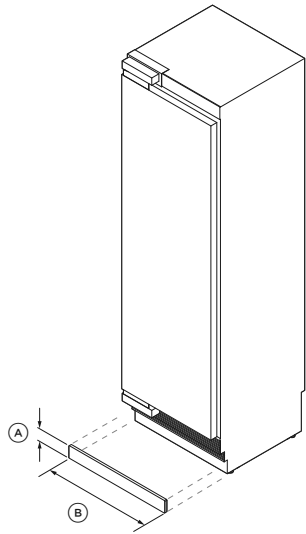
The illustrations below are examples of custom door panels of different combinations for triple installation. Minimum gaps of 1/8" (3mm) must be retained between door panel side edges and cabinetry regardless of door panel widths.



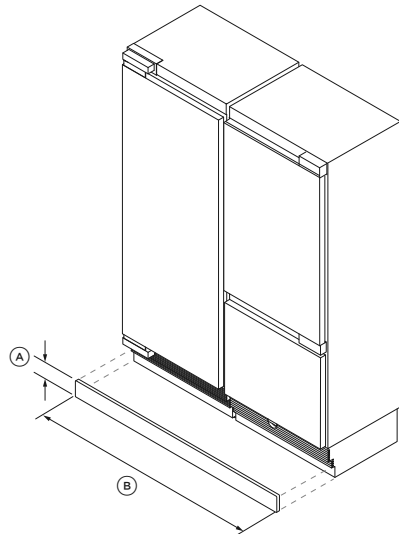
DIMENSIONS	18"		24"		30"	
	IN	MM	IN	MM	IN	MM
Ⓐ Height of door panel	79 7/8	2029	79 7/8	2029	79 7/8	2029
Ⓒ Width of door panel	17 13/16	454	23 13/16	605	29 13/16	757
Ⓒ Minimum clearance between door panels and cabinetry	1/8	3	1/8	3	1/8	3

\*Excluding handle

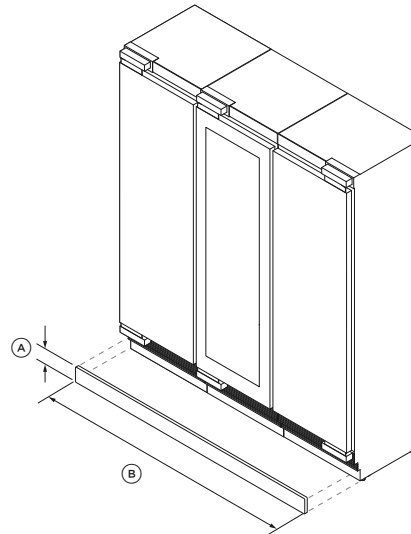
## TOE KICK DIMENSIONS



SINGLE INSTALL

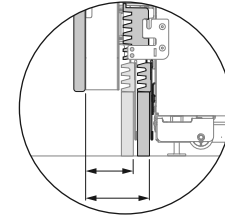


DUAL INSTALL

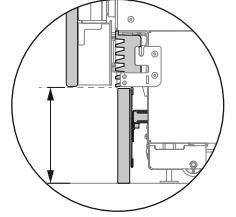


TRIPLE INSTALL

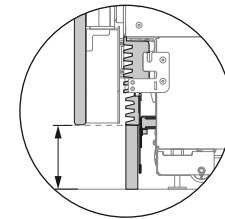
### Custom toe kick options



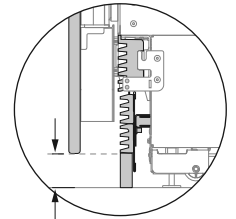
2 7/8" - 4" (73 - 102mm) toe kick clearance measured from rear of door panel



4" (102mm) toe kick height



6" (152mm) toe kick height



2" (51mm) toe kick height (with extra lower grille attached)

### SINGLE INSTALL

STAINLESS STEEL/CUSTOM PANEL	18"		24"		30"	
	IN	MM	IN	MM	IN	MM
Ⓐ Height of toe kick*	4	102	4	102	4	102
Ⓑ Width of toe kick	17 7/8	454	23 7/8	606	29 7/8	759

### DUAL INSTALL

STAINLESS STEEL/CUSTOM PANEL	36"		42"		48"		54"		60"	
	IN	MM	IN	MM	IN	MM	IN	MM	IN	MM
Ⓐ Height of toe kick*	2-6	50-152	2-6	50-152	2-6	50-152	2-6	50-152	2-6	50-152
Ⓑ Width of toe kick	35 7/8	912	41 7/8	1064	47 7/8	1216	53 7/8	1368	59 7/8	1521

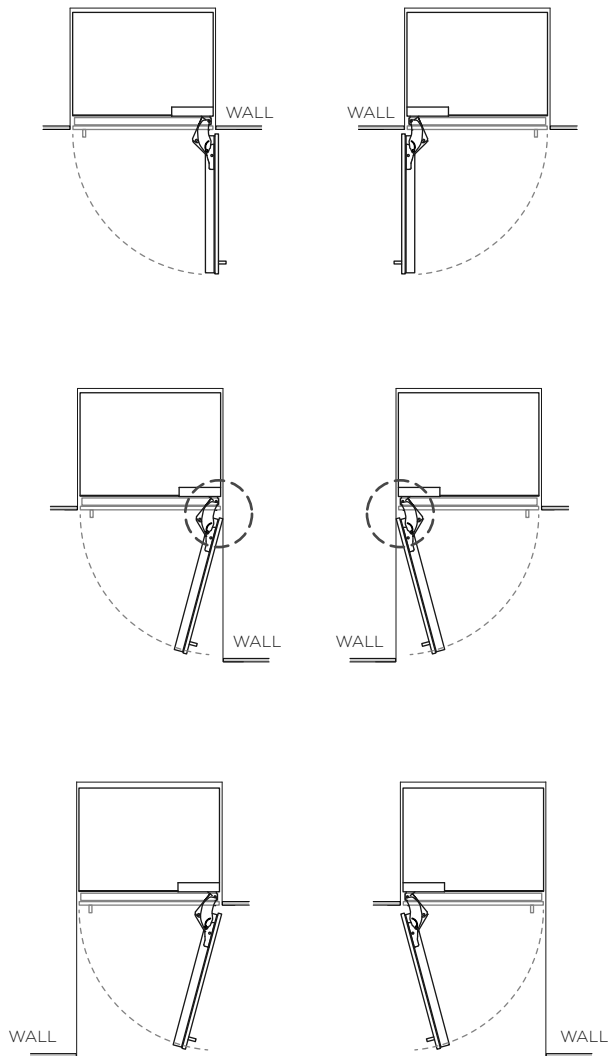
### TRIPLE INSTALL

STAINLESS STEEL/CUSTOM PANEL	66"		72"		78"		84"	
	IN	MM	IN	MM	IN	MM	IN	MM
Ⓐ Height of toe kick*	2-6	50-152	2-6	50-152	2-6	50-152	2-6	50-152
Ⓑ Width of toe kick	65 7/8	1674	71 7/8	1826	78	2131	83 7/8	2283

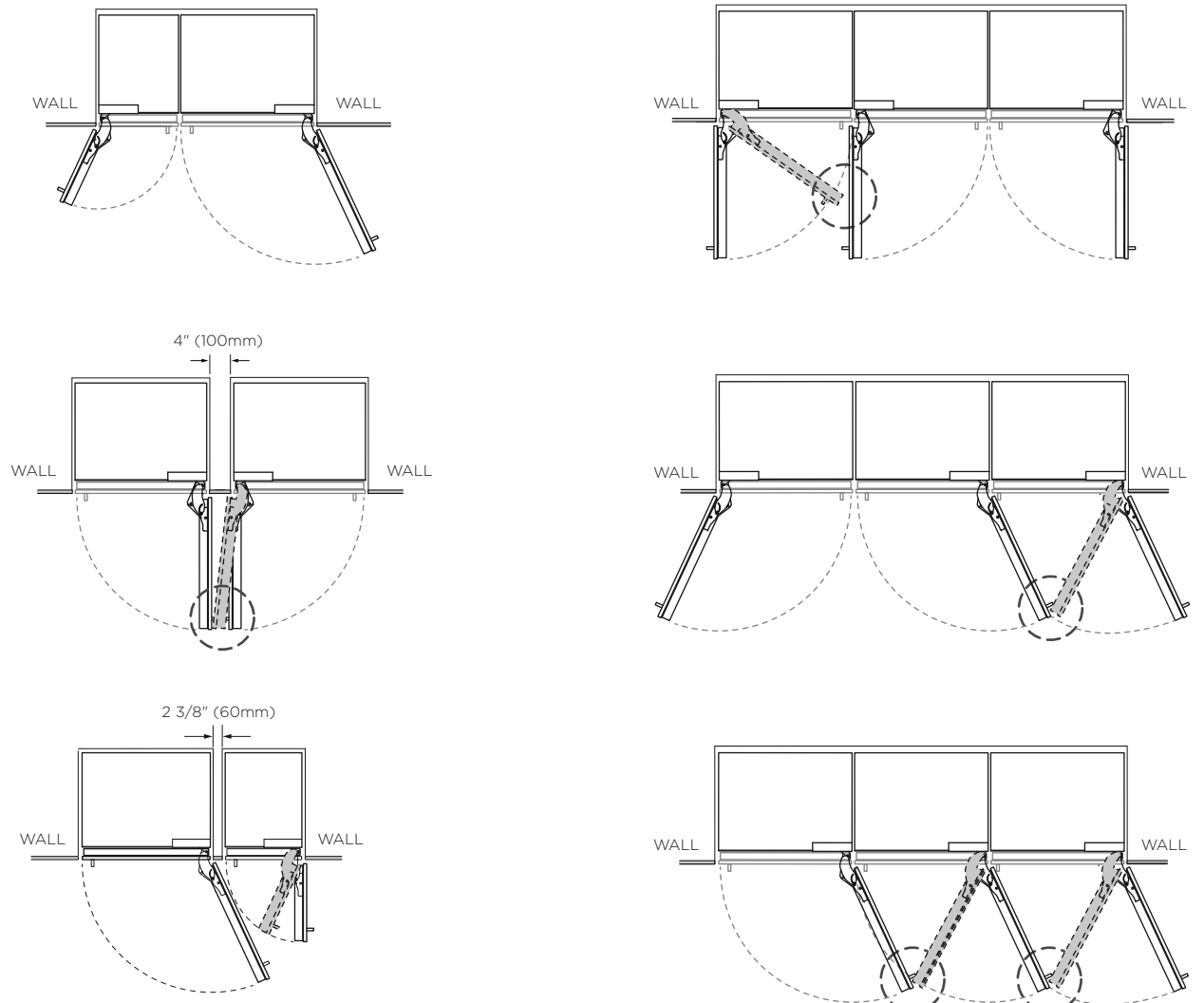
\*Standard toe kick height of toe kick is 4" (102mm) for any install options.

## INSTALLATION OPTIONS

### SINGLE INSTALL

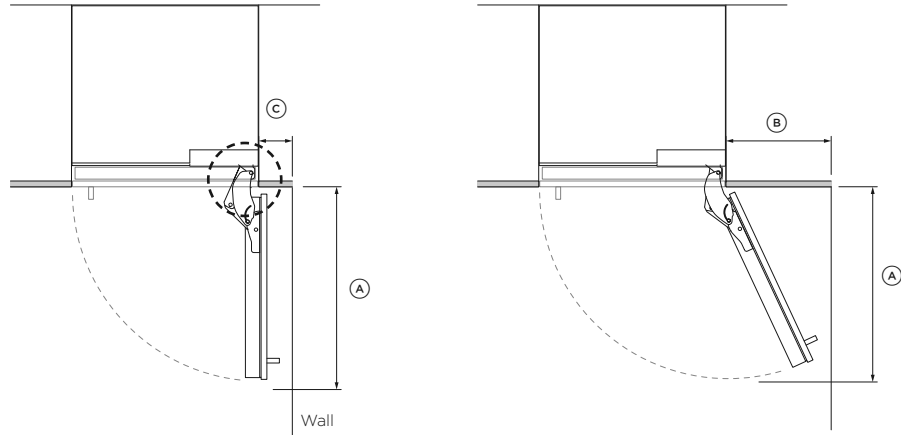


### MULTIPLE INSTALL



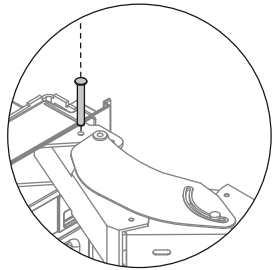
The illustrations above show acceptable installation options with reference to the door opening range and partition (optional). Be aware of clashing (circled) of doors or handles when opening at the same time. If installing a partition between the appliances, ensure there is enough clearance to avoid doors/handles from interfering with each other when opening or closing. If necessary, use a hinge limiting pin to restrict door opening rotation to 90°. Refer to 'Door clearance' for more information.

## DOOR CLEARANCE



LIMITED INTERNAL ACCESS

FULL INTERNAL ACCESS



### Insert hinge limiting pin

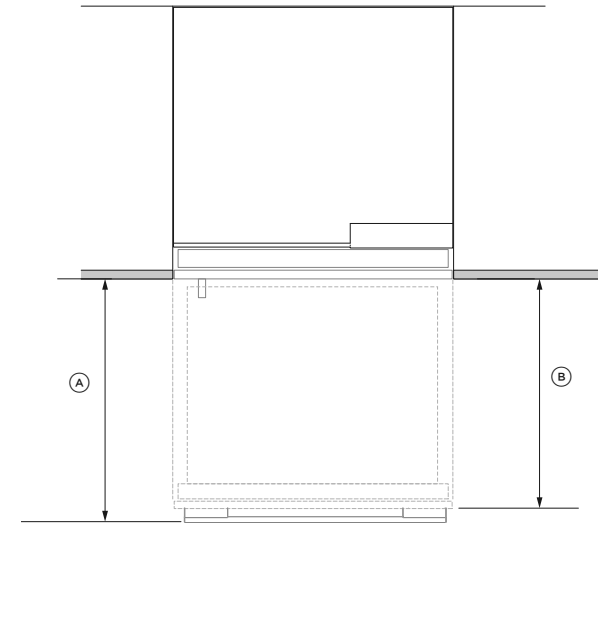
Before pushing the appliance into the cabinetry, insert the supplied hinge limiting pin into the borehole of the top and bottom door hinges. The hinge limiting pin limits door swing to 90°.

For Refrigerator-Freezer models, the hinge limiting pins are inserted into the boreholes of the top and bottom hinges of top door.

DIMENSIONS	18"		24"		30"	
	IN	MM	IN	MM	IN	MM
Ⓐ Width of door (90° open) measured from front of door	20	508	26	660	32	813
Ⓑ Minimum door clearance to adjacent wall* (115° – full internal access)	11 1/2	292	14	356	16 1/2	419
Ⓒ Minimum door clearance* to adjacent wall* (90° – reduced internal access)	4 5/16	110	4 5/16	110	4 5/16	110

## DRAWER CLEARANCE

These dimensions apply to Refrigerator-Freezer models only.

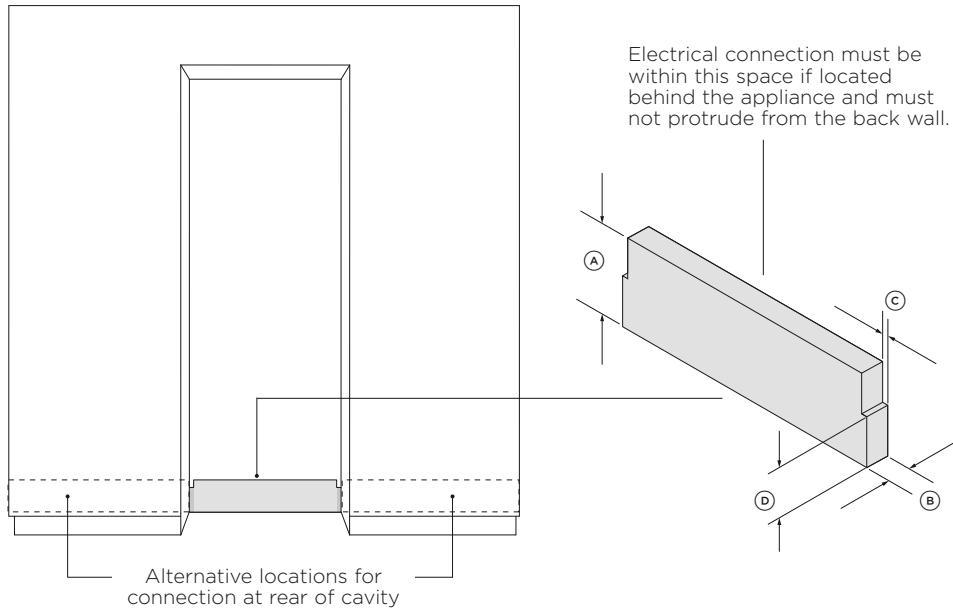


DIMENSIONS	24"		30"	
	IN	MM	IN	MM
Ⓐ Maximum drawer extension when open (including handle)*	18 1/8	461	18 1/8	461
Ⓑ Maximum drawer extension when open (excluding handle)	16 9/16	420	16 9/16	420

\*Assumes handle depth of 1 5/8" (41mm).



## ELECTRICAL AND PLUMBING



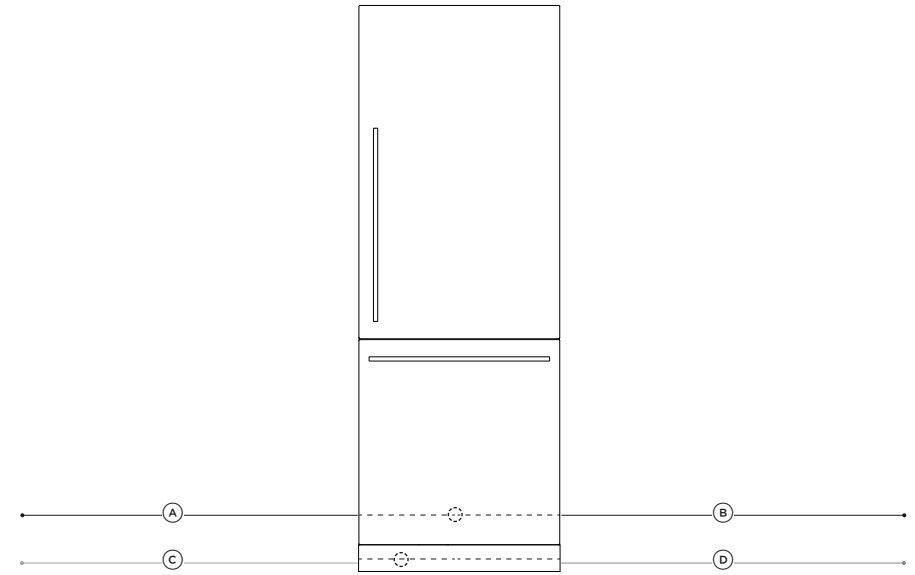
SUPPLY AREA DIMENSIONS	IN	MM
Ⓐ Overall height of supply area	9	229
Ⓑ Overall depth of supply area	1	25
Ⓒ Width of notch in supply area (both sides)	1/2	13
Ⓓ Height of sides of supply area (both sides)	5	127

### ELECTRICAL SPECIFICATIONS

Supply	115 VAC, 60 Hz
Service	10 amp circuit
Receptacle	3-prong grounding-type

### PLUMBING SPECIFICATIONS

Supply	1/2" (12.7mm) BSP Stainless steel braided hose with adaptor
Pressure	22psi (min 151kPa)–120psi (max 827kPa) @ 68°F (20°C)



POWER CORD	18"		24"		30"	
	IN	MM	IN	MM	IN	MM
Ⓐ Total length exiting from left side of appliance (excluding plug)	54 1/2	1385	71 1/4	1809	68 1/4	1733
Ⓑ Total length exiting from right side of appliance (excluding plug)	55 9/16	1411	72 1/4	1835	69 1/4	1759

WATER HOSE	18"		24"		30"	
	IN	MM	IN	MM	IN	MM
Ⓒ Total length exiting from left side of appliance	89 7/16	2271	86 7/16	2196	68 1/4	1733
Ⓓ Total length exiting from right side of appliance	77	1956	72 1/4	1878	69 1/4	1759