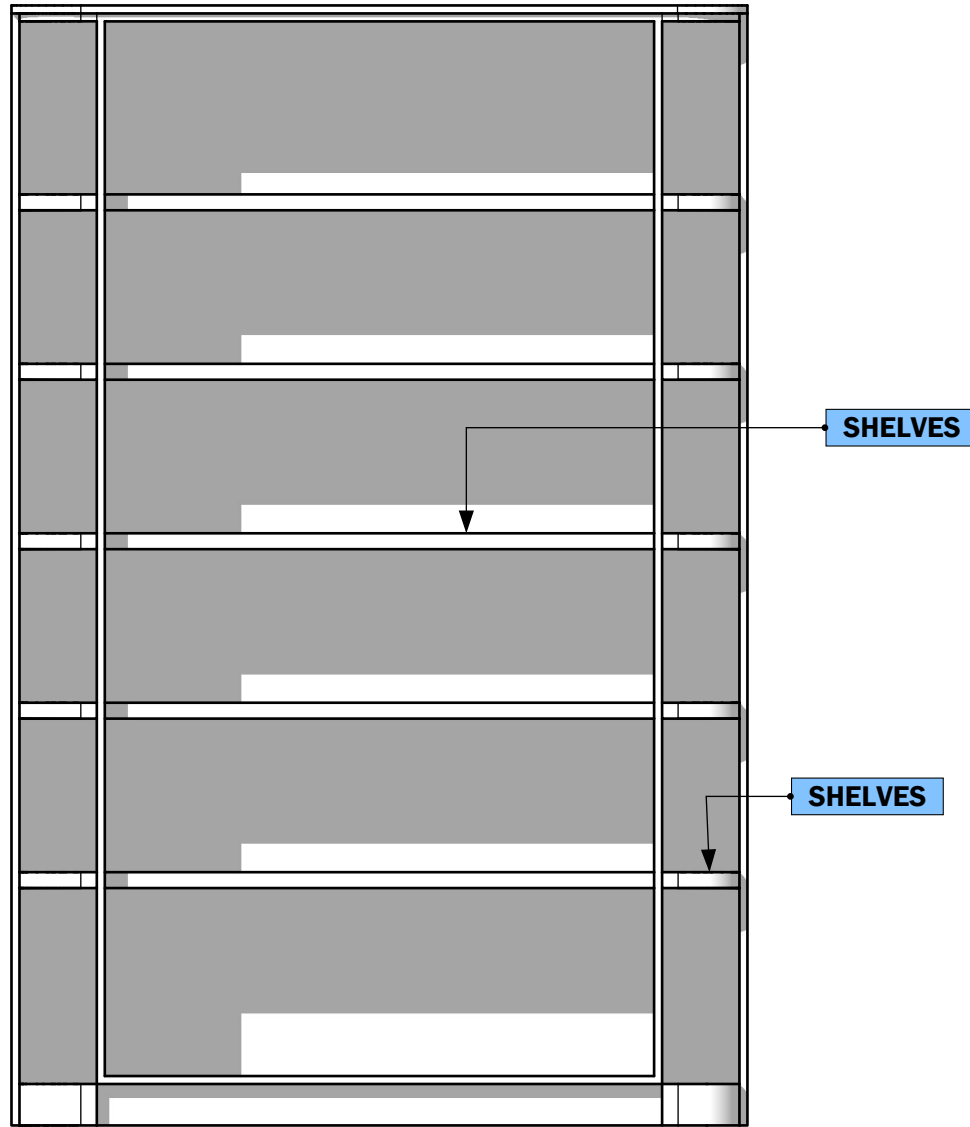


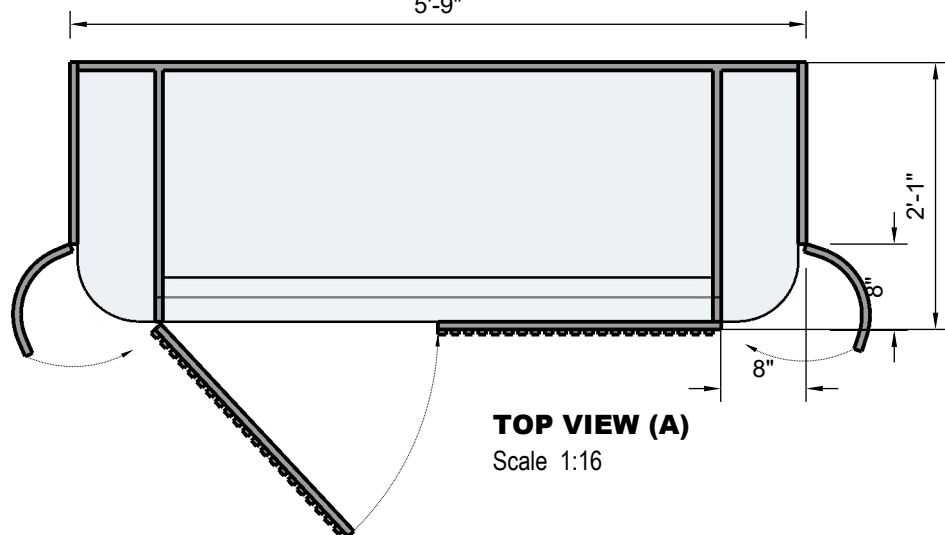
FRONT VIEW

Scale 1:16



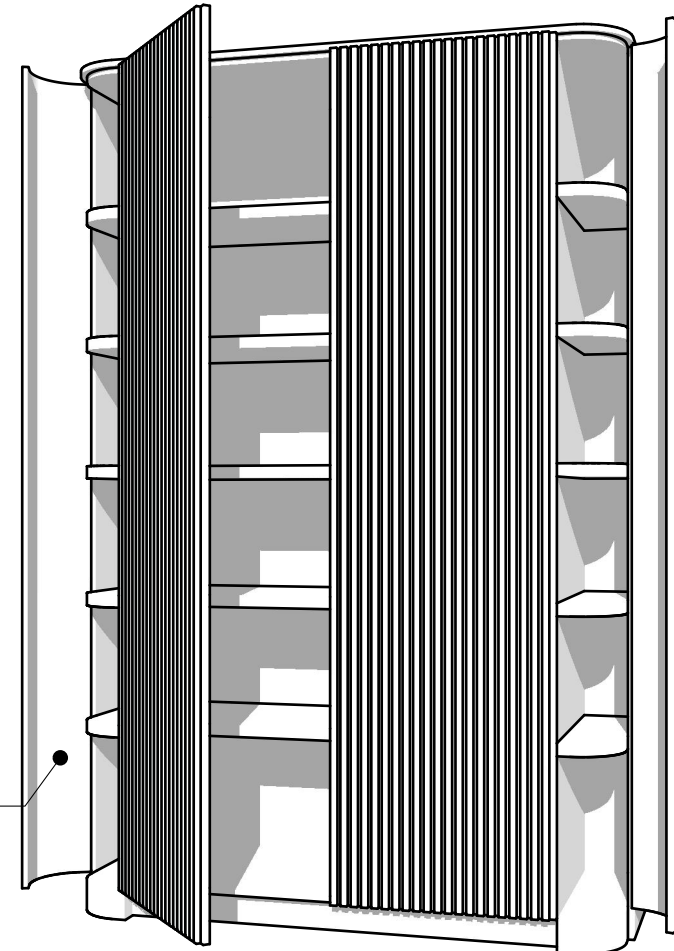
FRONT VIEW

Scale 1:16



TOP VIEW (A)

Scale 1:16



T.B.D	FINISH	SELLER
	MATERIAL NAME	
Item No:		

NOTE

Drawings may not be scaled.

The numerical dimensions represent correct measurements. (If not indicated, the precision of the dimensions by default is to 1")

All design ideas, drawings and plans represented here are owned by the property of WESTHAVEN CONSTRUCTION SERVICES, INC. All rights reserved. Above suggested electrical and plumbing locations, must be verified in field.



© 2023 WHCN

DESIGN BY	OWNER	ISSUE
J. Alonso	M.A.	04/ 10/ 2024
DRAWN BY	PAGE NAME	RE - ISSUE
A.Quintero	ELEVATIONS	04/23/2024

DESIGN CONCEPT

**ALL MEASUREMENTS
MUST BE
VERIFIED IN FIELD**

DISCARD ALL DRAWINGS THAT
WERE MADE ON THIS ITEM PRIOR
TO THE DATE BELOW:

04/23/2024

This drawing is not intended to be used
for contract pricing or fabrication
purposes.
All content is subject to change