

DRMZ-50-100

RED LINE

AMOUNT NEEDED:

460 L.f.

DESIGN CONCEPT

ALL MEASUREMENTS MUST BE VERIFIED IN FIELD

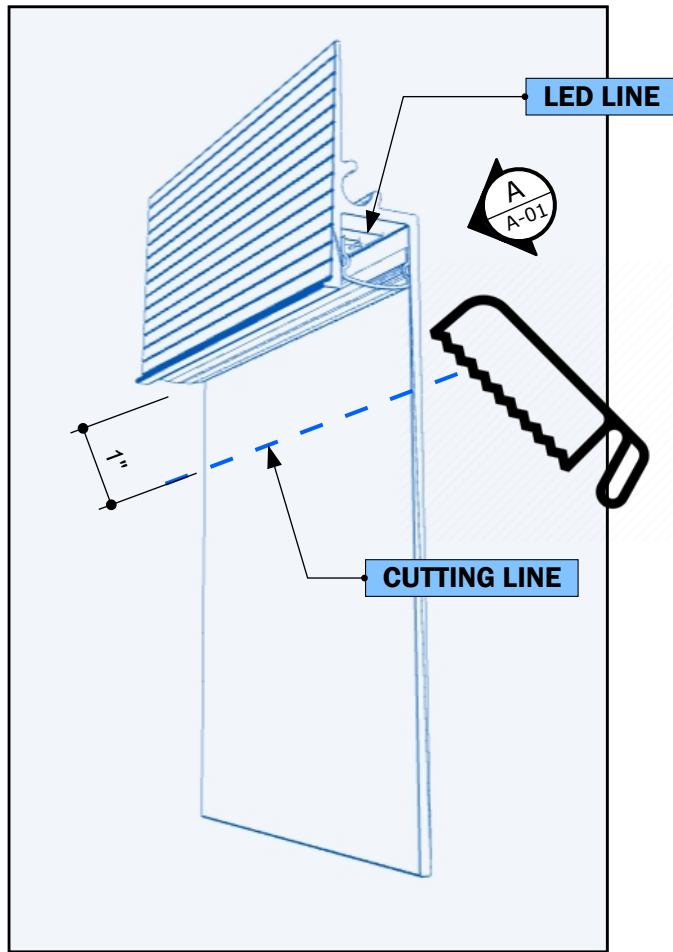
This drawing is not intended to be used for contract pricing or fabrication purposes. All content is subject to change.

DISCARD ALL DRAWINGS THAT WERE MADE ON THIS ITEM PRIOR TO THE DATE BELOW:

09/27/2022

NOTES

Drawings may not be scaled. The numerical dimensions represent correct measurements. All dimensions are given from finished floor and finished wall unless otherwise noted. All design ideas, drawings and plans represented here are owned by the property of **WESTHAVEN CONSTRUCTION SERVICES**. All rights reserved. Above suggested electrical and plumbing locations, must be verified in field.



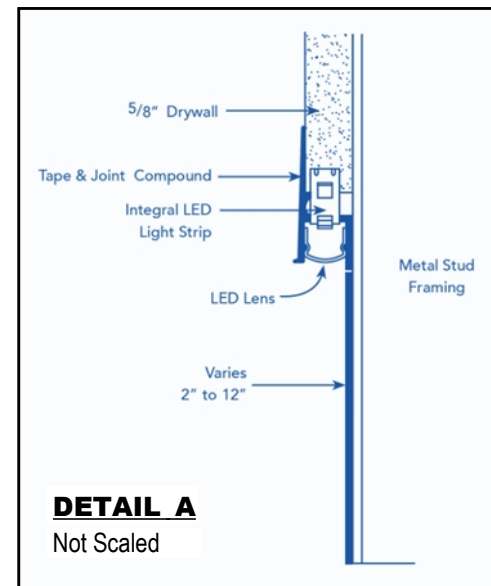
LI Drywall Base R3

BLUE LINE

AMOUNT NEEDED:

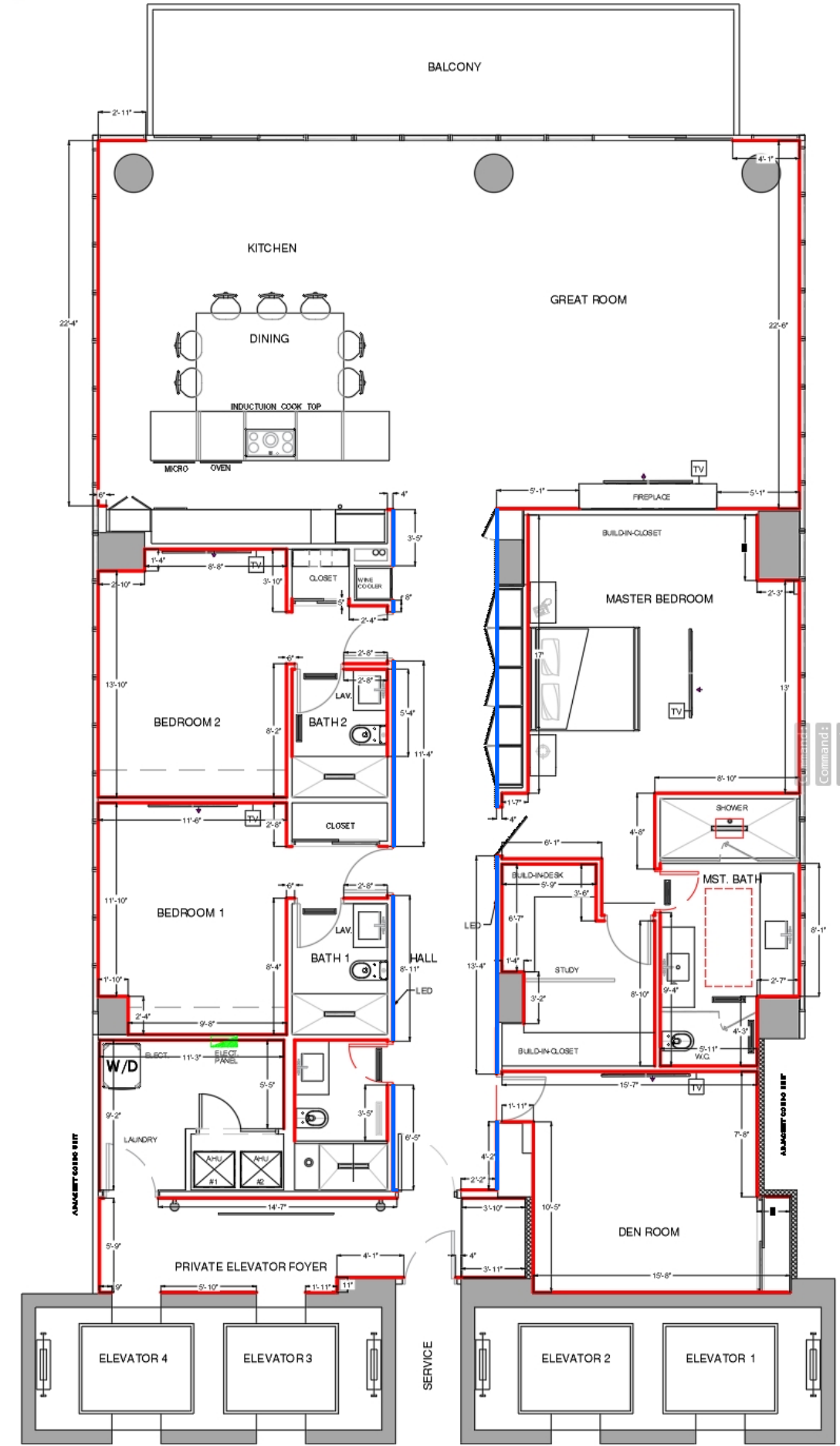
70 L.f.

THIS ITEM IS SUPPLIED WITH 2 INCHES IN HEIGHT. IT MUST BE CUT TO ONE INCH SO THAT IT HAS THE SAME HEIGHT AS THE REST OF THE REGLETS OF THE UNIT



DETAIL A

Not Scaled



WESTHAVEN
CONSTRUCTION SERVICES, INC.

CLIENT
JOHN NELSON
0000
FL, 33000

ISSUE
09/ 7/ 2022
RE - ISSUE
MM, DD, YY

DESIGN BY
Joel A.
DRAWN BY
Abel Q.

DESCRIPTION
REGLETS
PAGE NAME
CONTINUUM SOUTH
REGLETS

PROJECT No
3507
PROJECT NAME
CONTINUUM SOUTH

A-01