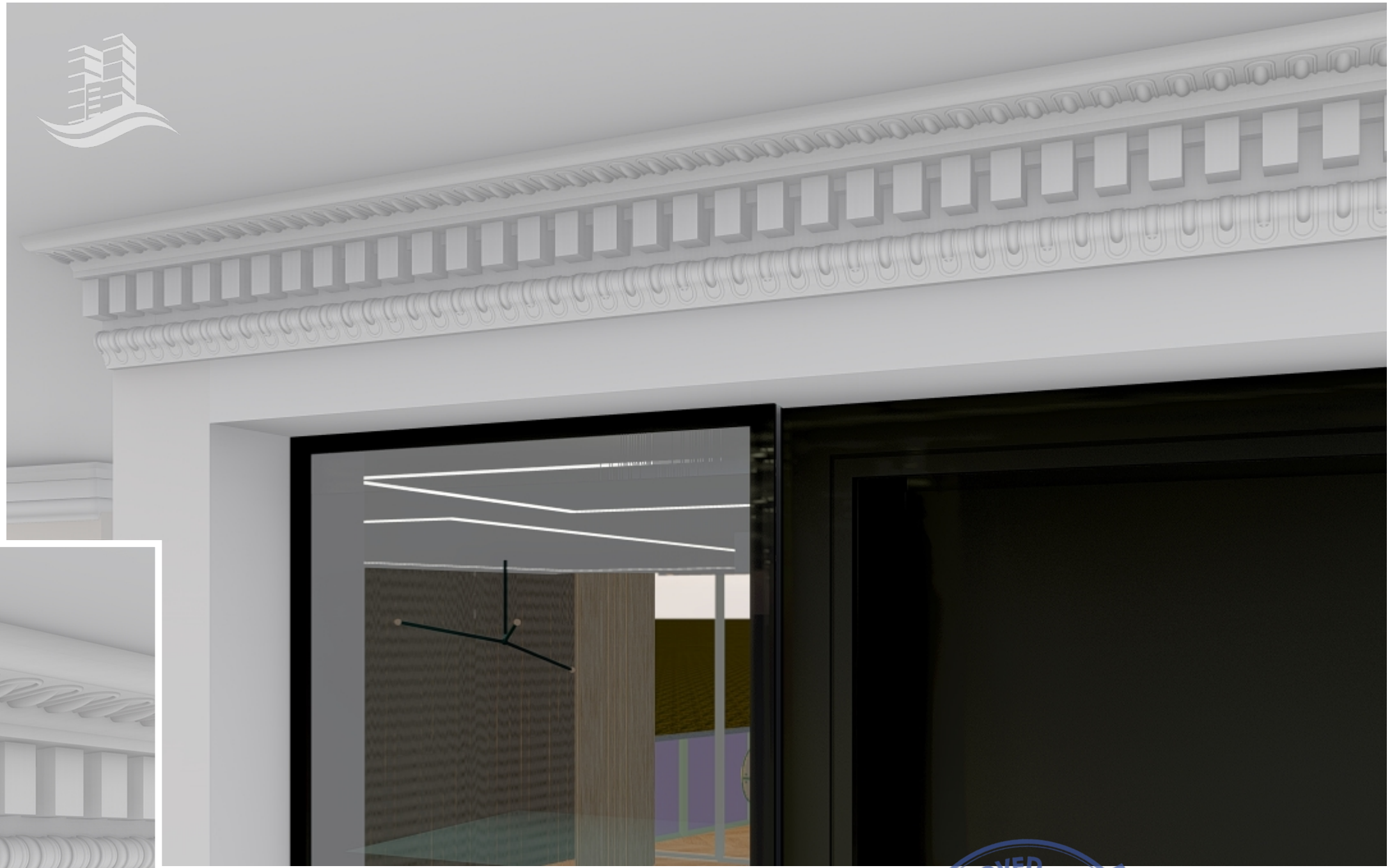


1908-09

CONTINUUM SOUTH

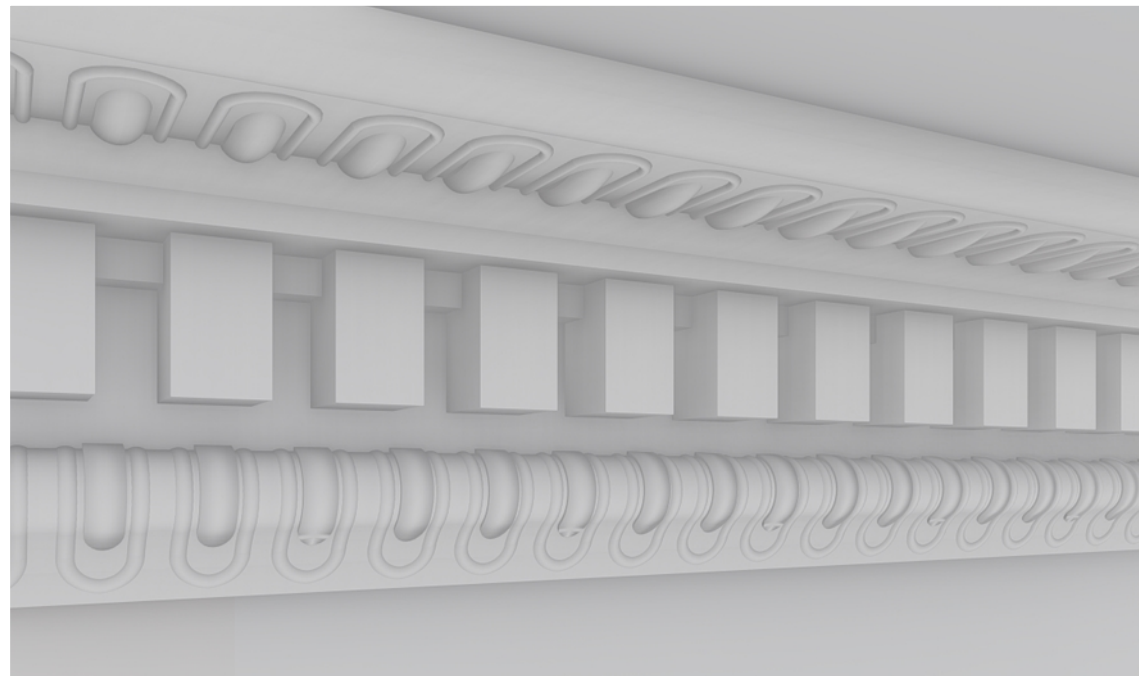
CROWN MOLDING

Sheet #	Sheet Name
00	COVER
Sheet A1	SHOP DRAWINGS



PERSPECTIVE VIEW

© WESTHAVEN CN



DESIGN CONCEPT

This presentation is not intended to be used for contract pricing or fabrication purposes. All content is subject to change.

DISCARD ALL PRESENTATIONS THAT WERE MADE ON THIS ITEM PRIOR TO THE DATE BELOW:

12/12/2022

NOTES

The drawings included in presentations may not be scaled. The numerical dimensions represent correct measurements. All dimensions are given from finished floor and finished wall unless otherwise noted. All design ideas, drawings and plans represented here are owned by the property of **WESTHAVEN CONSTRUCTION SERVICES**. Above suggested electrical and plumbing locations, must be verified in field.

PROJECT

1908-09
CONTINUUM SOUTH

PAGE NAME

COVER

DESIGN BY

J. ALONSO

DRAWING BY

A. QUINTERO

CREATED

11/ 28/ 2022

MODIFIED

12/12/2022

CLIENT

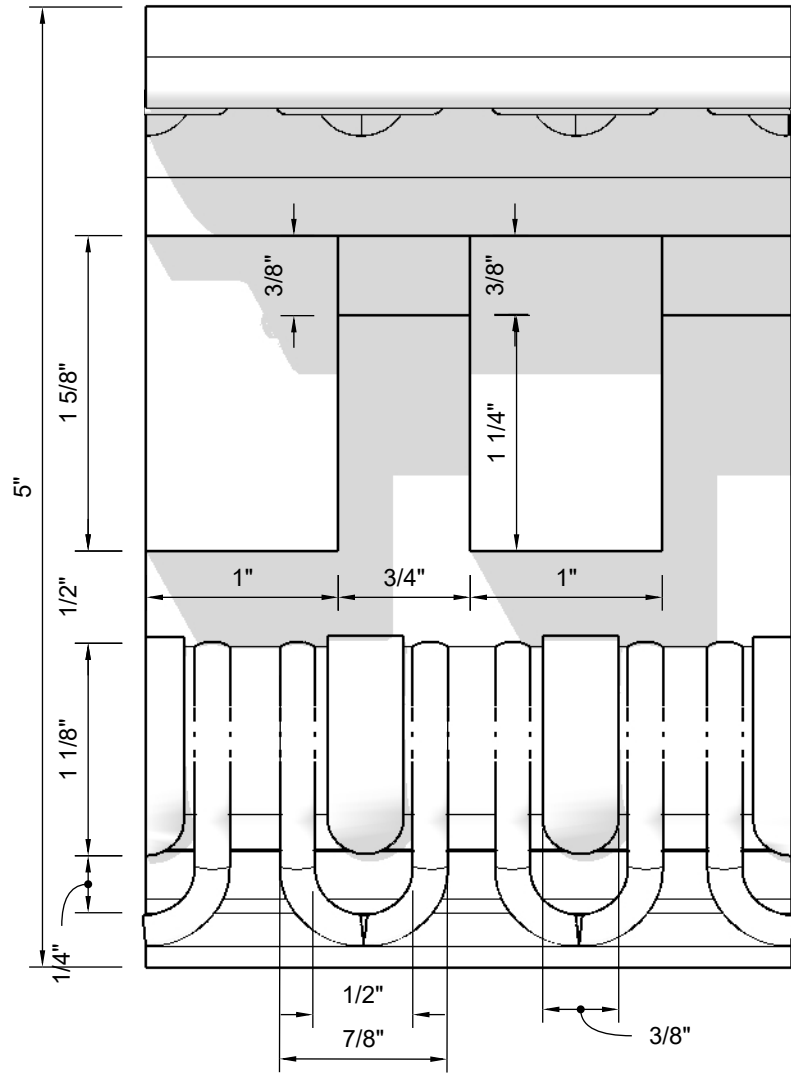
HERTRICH

ADDRESS

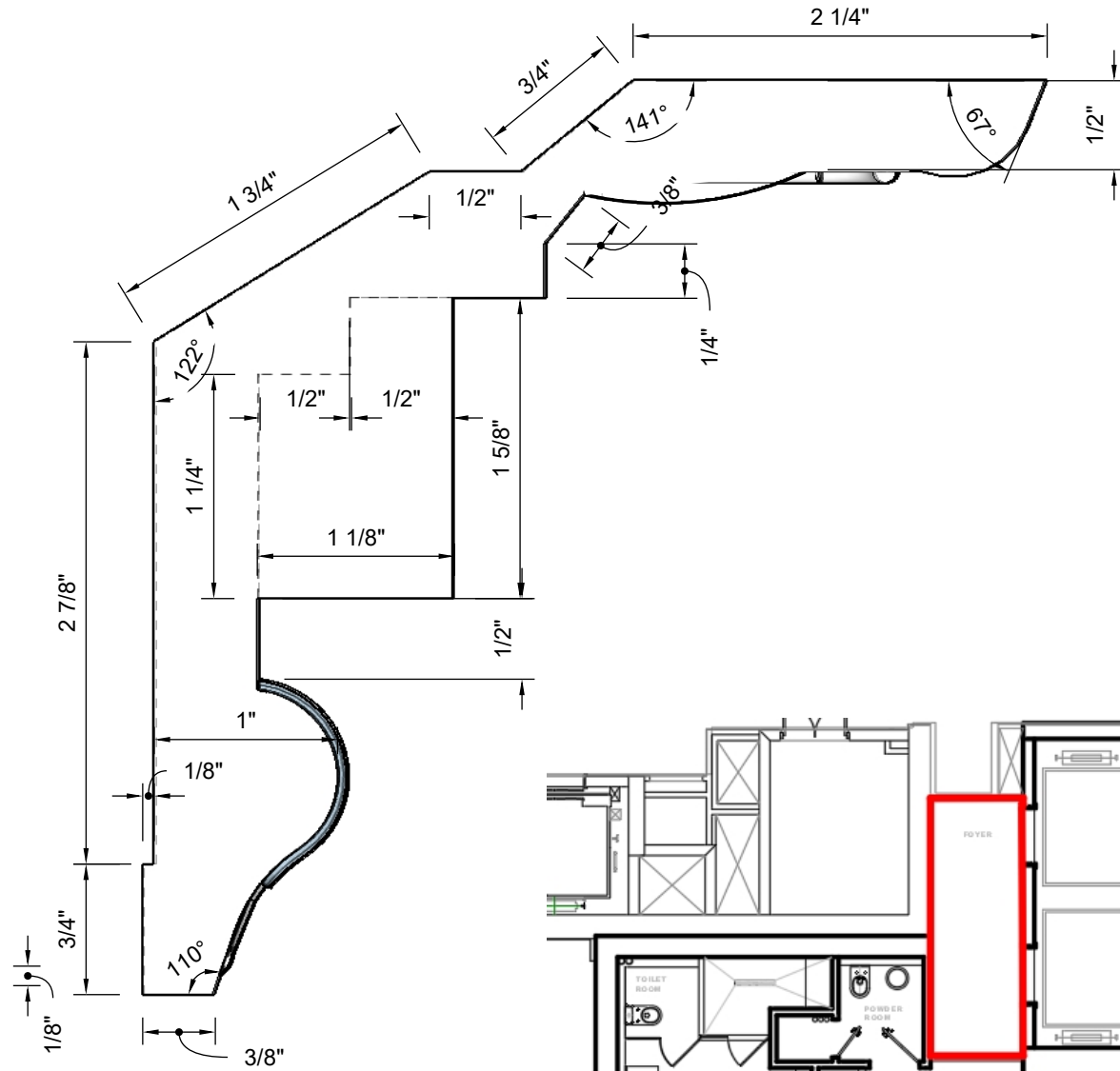
0000
FI, 33000



8254 NW SOUTH RIVER DRIVE, MEDLEY, FL 33166

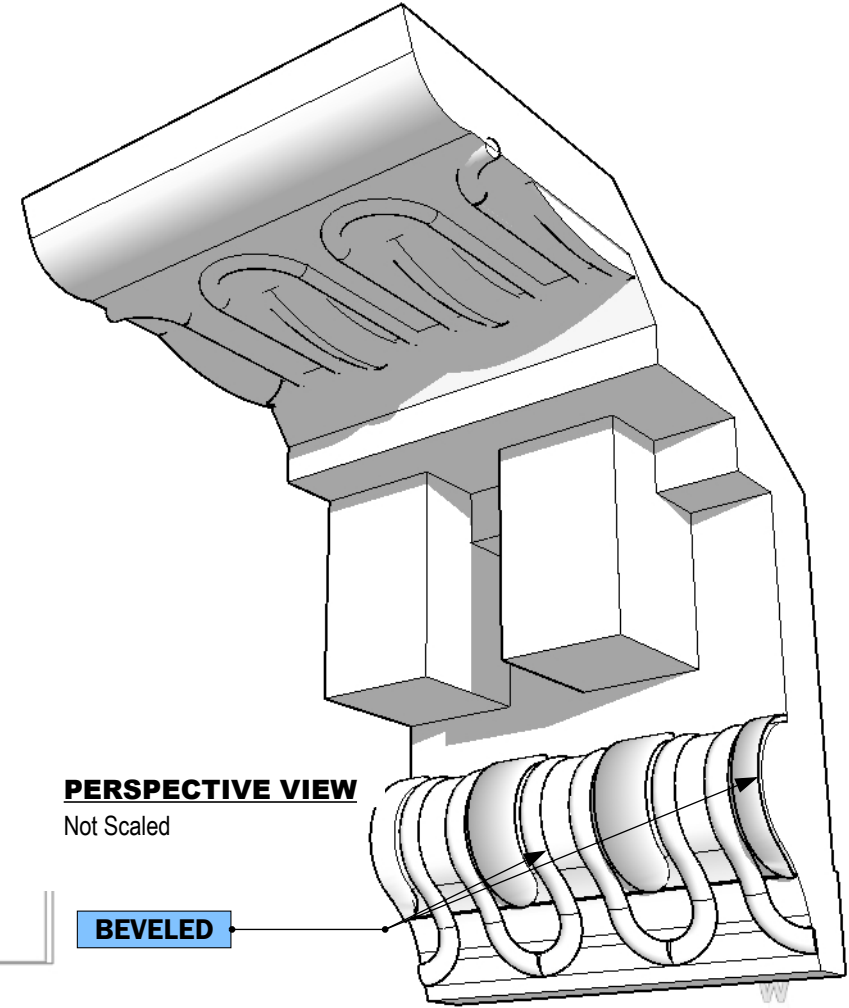


FRONT VIEW
Scale 1:1

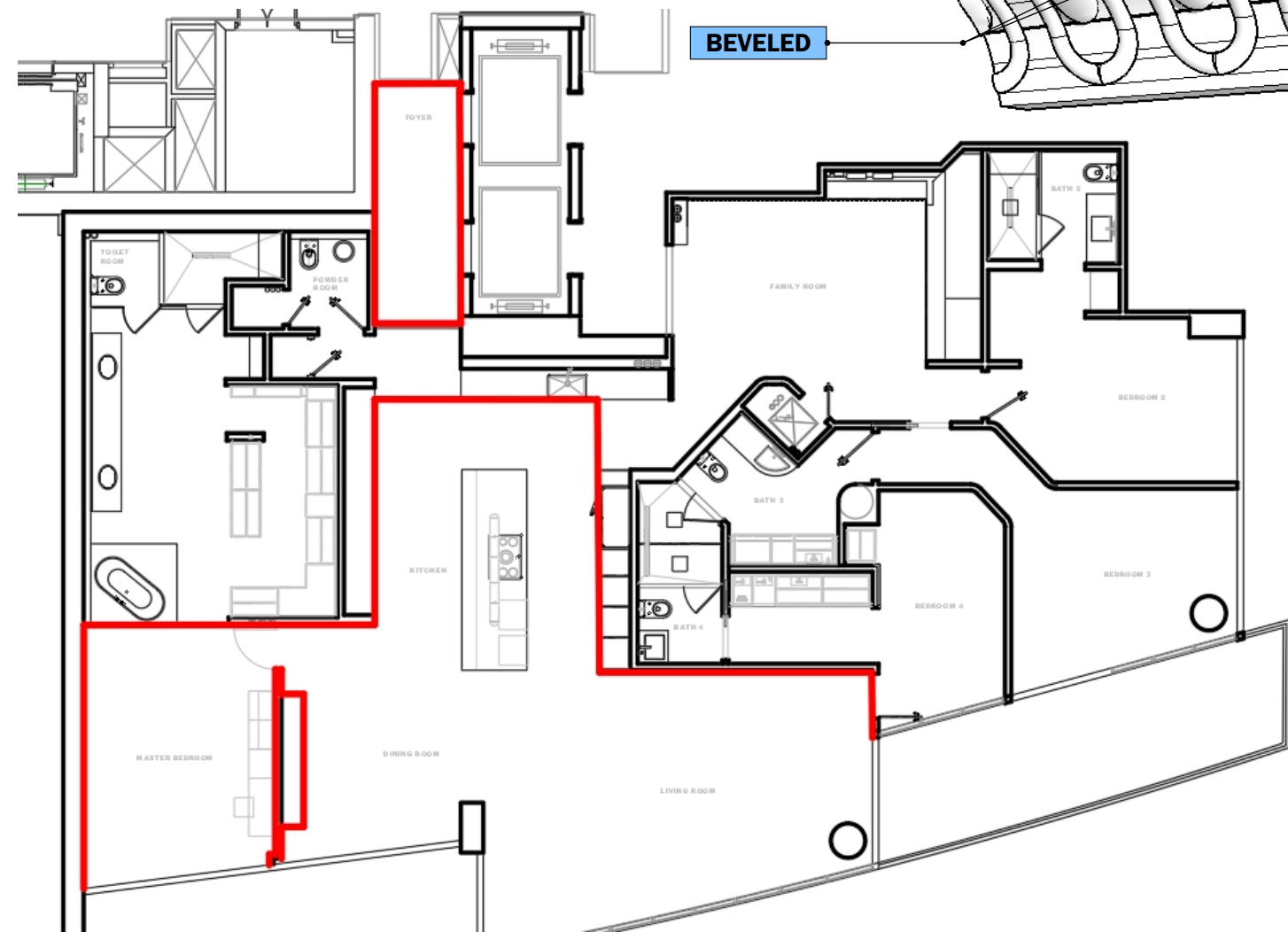


SIDE VIEW
Scale 1:1

183 LINEAR FEET
+ 10% = **200 LF**



PERSPECTIVE VIEW
Not Scaled



APPROVED
BY **Jess Weth** DESIGNER 12/12/2022

This drawing is not intended to be used for contract pricing or fabrication purposes. All content is subject to change.

DISCARD ALL DRAWINGS THAT WERE MADE ON THIS ITEM PRIOR TO THE DATE BELOW:
12/12/2022

NOTES
Drawings may not be scaled. The numerical dimensions represent correct measurements. All dimensions are given from finished floor and finished wall unless otherwise noted.
All design ideas, drawings and plans represented here are owned by the property of **WESTHAVEN CONSTRUCTION SERVICES.**
All rights reserved.
Above suggested electrical and plumbing locations, must be verified in field.

ALL MEASUREMENTS MUST BE VERIFIED IN FIELD