



Specifications for Project


MONGE

Q00022961 WESTHAVEN CONSTRUCTION SERVICES.INC

Salesperson

Alina Echavarri

Alina.Echavarri@fuseappliances.com

 REMINDER: To ensure a smooth project it is the responsibility of the homeowner / purchaser of appliances for this project to share all the attached specifications to ensure the cabinet provider, contractor, or any other tradesperson have all the information required to complete their work accurately.

Specifications are subject to change. If any tradesperson has questions regarding the attached specifications please contact our sales associate.

MONGE

Q00022961

WESTHAVEN CONSTRUCTION SERVICES.INC, ROGER

MONGE

8254 NW SOUTH RIVER DR

305-458-5600



Fuse Specialty Appliances

fuseappliances.com

Alina Echavarri

Account Manager

305.433.6189

Quote **Q00022961**

Version 3.3

Fri, Sep 24, 2021

4:15 PM EDT



enterprise.steelcod.com/sp/fuse/N2PB4704

Models

Pages

DEU2450R/R

4-7

Sub-Zero Refrigeration

24" Designer Undercounter Refrigerator - Panel Ready

ID-30R

8-11

Sub-Zero Refrigeration

30" Designer Refrigerator Drawers - Panel Ready

IT-30CIID-RH

12-16

Sub-Zero Refrigeration

30" Designer Over-and-Under, Panel Ready, Refrigerator/Freezer with Ice Maker and Internal Dispenser

IT-30R-LH

17-21

Sub-Zero Refrigeration

30" Designer Over-and-Under, Panel Ready, Refrigerator

IW-24-LH

22-26

Sub-Zero Refrigeration

24" Designer Wine Storage - Panel Ready

Note about page numbers:

Because the original manufacturer's documents are not altered in any way, the page numbers displayed on the page may not correspond to the page number within this package.

All specifications are intended for initial planning purposes only.

Manufacturers reserve the right to change specifications at any time without notice. Always consult the installation instructions found on the manufacturer's website or included with the appliances before installation.

DFI664 27-29

Asko Dishwasher

BS 484 612 30-31

Gaggenau Combi-steam Oven

400 Series 30" Combi-steam oven, bottom controls, right-hinged, plumbed

BO 480 613 32

Gaggenau Wall Oven

400 Series 30" single oven, stainless steel, right-hinge

AL400791 33-34

Gaggenau Retractable Downdraft Ventilation

36" retractable downdraft with lighting, w/o blower

AR400742 35

Gaggenau Inline Blower

400 series inline blower for use with AL400721/791, VL 414 + knob AA490711, AI/AW 442 ventilation systems

SCN60PA1SU 36-42

Scotsman Refrigeration

Note about page numbers:

Because the original manufacturer's documents are not altered in any way, the page numbers displayed on the page may not correspond to the page number within this package.

All specifications are intended for initial planning purposes only.

Manufacturers reserve the right to change specifications at any time without notice. Always consult the installation instructions found on the manufacturer's website or included with the appliances before installation.

DEU2450R



FEATURES

Fully customizable exterior, accepting custom panels for an integrated look within cabinetry or stainless steel accessory panels and handles to coordinate other Sub-Zero, Wolf, and Cove appliances

Seamlessly integrating anywhere, undercounter refrigeration adds comfort to your master suite, creates a corner for libations in the study, provides subtle storage for delicate cosmetics—the options are endless

Flexible storage options with one stationary and two adjustable shelves

Two on-door shelves easily accommodate a wide variety of condiments and beverages, with ample room for larger two-liter bottles

Intuitive, on-door touch control panel offers ergonomic, convenient access to settings

Cleanup is simple with nano-coated, spill-proof shelves

Clear storage drawer provides quick access to essential items

Offers precise temperature control within one degree of setpoint, preserving dairy, produce, craft beer, and other perishables at their optimal temperature

Soft-on LED lighting fully illuminates the interior when the door is open

Wi-Fi enabled features enable remote temperature control, provide important door-ajar notifications, and assist with remote service diagnostics—all from your mobile device

ACCESSORIES

Custom Panel Lock Kit

Dual Install Kit - Handle-to-Drawer

Dual Install Kit - Handle-to-Handle

Outdoor Stainless Steel Solid Door Panel With Lock - Pro Handle, Left Hinge

Outdoor Stainless Steel Solid Door Panel With Lock - Pro Handle, Right Hinge

Pro Handle

Stainless Steel Dual Kickplate

Tubular Handle

Stainless Steel Solid Door Panels

Accessories are available through an authorized dealer. For local dealer information, visit subzero-wolf.com/locator.



HANDLE ACCESSORIES

PRO



TUBULAR



PRODUCT DETAILS

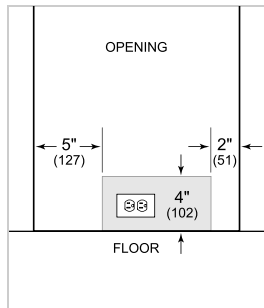
REFRIGERATOR

- One stationary and two adjustable shelves
- Two on-door shelves
- Clear storage drawer

PRODUCT SPECIFICATIONS

Model	DEU2450R
Dimensions	24"W x 34 1/2"H x 23 1/8"D
Door Clearance	26 1/2"
Weight	133 lbs
Refrigerator Capacity	5.4 cu. ft.
Electrical Supply	115 VAC, 60 Hz
Electrical Service	15 amp dedicated circuit
Receptacle	3-prong grounding-type

ELECTRICAL

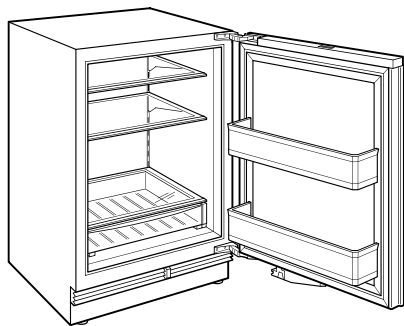


NOTE: The electrical outlet must be positioned with the grounding prong to the right of the thinner blades.

PANEL SPECIFICATIONS For complete panels specifications including width/height, weight requirements and thickness requirements visit subzero-wolf.com/reveal.

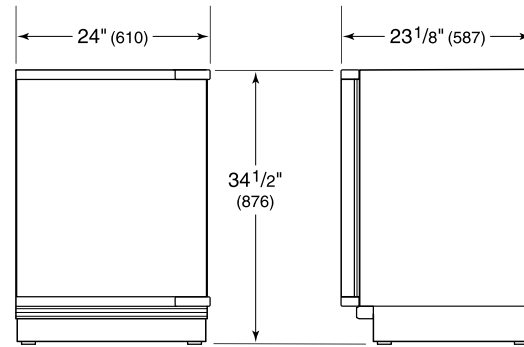
NOTE: Dimensions in parenthesis are in millimeters unless otherwise specified

INTERIOR VIEW

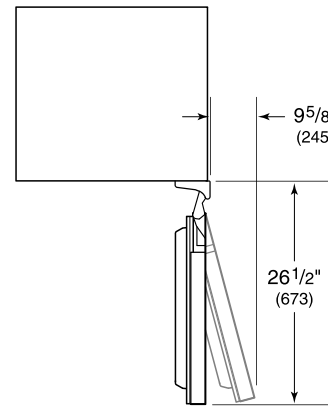


This illustration is intended for interior reference only and may not represent the exterior of the model being specified.

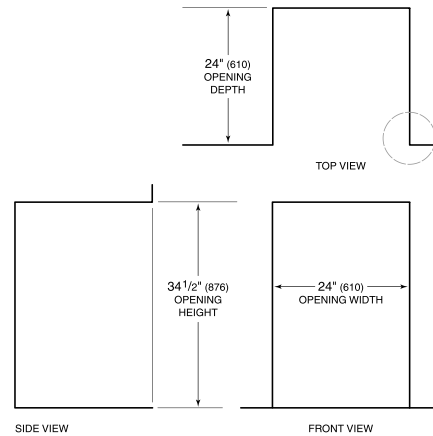
DIMENSIONS



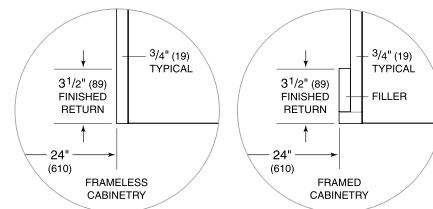
HEIGHT DIMENSIONS ± 1/2" (13)



STANDARD INSTALLATION

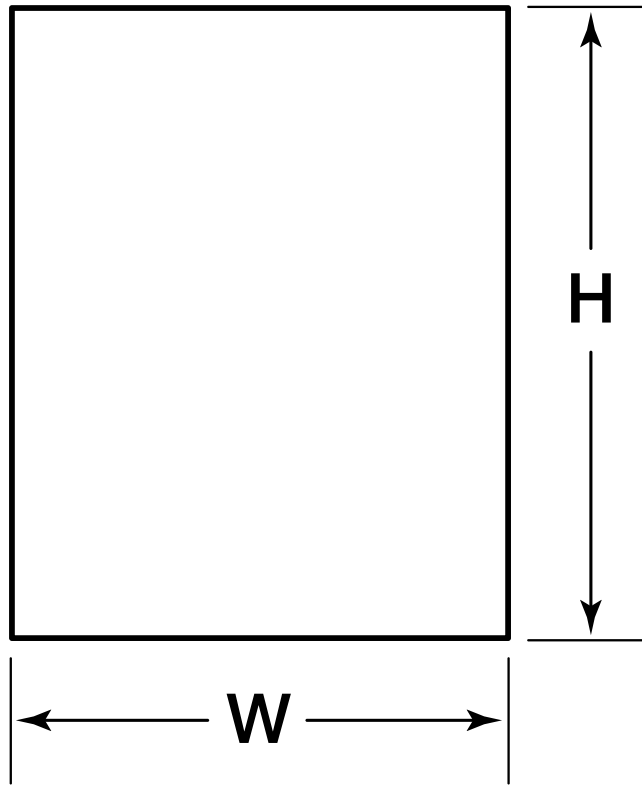


NOTE: 3 1/2" (89) finished returns will be visible and should be finished to match cabinetry.



Panel Specifications

Single Model: DEU2450R



PANEL	WIDTH	HEIGHT	MIN THICKNESS	MAX WEIGHT
Door	23 ³ / ₄ "	30 ³ / ₈ "	⁵ / ₈ "	22 lbs

PLEASE NOTE: Panel specs change slightly when units are combined. Visit <http://www.subzerowolf.com/traderesources/reveal> for exact dimensions.

Panel Planning Notes

Single Model: DEU2450R

The thickness of the custom panel can vary. A 5/8" (16) minimum to 3/4" (19) maximum thick panel is required.

The depth of each designer model is 23 1/8" (587). Allow for panel thickness when planning the finished opening depth.

Finish all sides of custom panels. They will be visible when the door is open.

Stainless steel tubular and pro handles are available through an authorized Sub-Zero dealer.

Minimum Panel Thickness

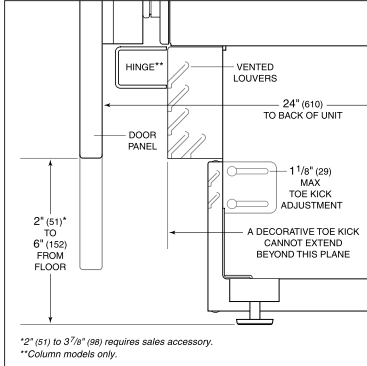
5/8"

Standard Handle Lengths (Optional)

HANDLE	TUBULAR	PRO
DEU2450R Door	24 3/16"	22 1/2"

Toe Kick Clearance

The height of the toe kick area can extend beyond the typical toe kick height, provided it does not exceed the dimensions in the illustration below.



**Column models only.

Toe kick (side view).

ID-30R



FEATURES

Accepts custom panels for an integrated look within cabinetry or stainless-steel accessory panels and handles to match other Sub-Zero, Wolf, and Cove products

Controls temperature within one degree of setpoint

Assure maximum freshness with low-temp, high-humidity crisper and deli drawers

Locks in cold air to ensure freshness with magnetic door seals

Control brightness with soft-on LED lighting

Open and close doors silently with soft-close technology

ACCESSORIES

Crisper Cover

Dual Installation Kit

Egg Container

Reduced Toekick Divider

Stainless Steel Pro Handles

Stainless Steel Tubular Handles

Stainless Steel Drawer Panels With Pro Handles - 4" Toe Kick

Stainless Steel Drawer Panels With Pro Handles - 6" Toe Kick

Stainless Steel Drawer Panels With Tubular Handles - 4" Toe Kick

Stainless Steel Drawer Panels With Tubular Handles - 6" Toe Kick

Stainless Steel Dual Installation Kickplates

Accessories are available through an authorized dealer.
For local dealer information, visit subzero-wolf.com/locator.



HANDLE ACCESSORIES

PRO



TUBULAR



PRODUCT DETAILS

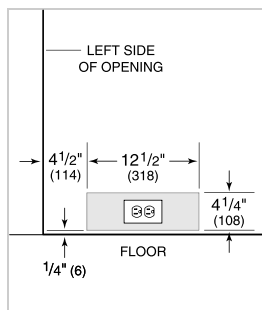
REFRIGERATOR

- Adjustable drawer dividers
- LED lighting

PRODUCT SPECIFICATIONS

Model	ID-30R
Dimensions	30"W x 34 1/2"H x 24"D
Drawer Clearance	18 3/8"
Refrigerator Capacity	5.3 cu. ft.
Electrical Supply	115 VAC, 60 Hz
Electrical Service	15 amp dedicated circuit

ELECTRICAL

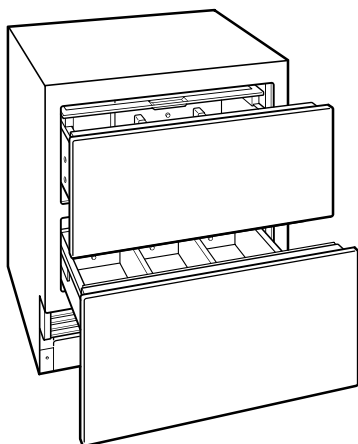


NOTE: The electrical outlet must be positioned with the grounding prong to the right of the thinner blades.

PANEL SPECIFICATIONS For complete panels specifications including width/height, weight requirements and thickness requirements visit subzero-wolf.com/reveal.

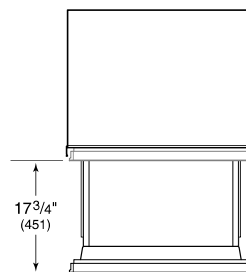
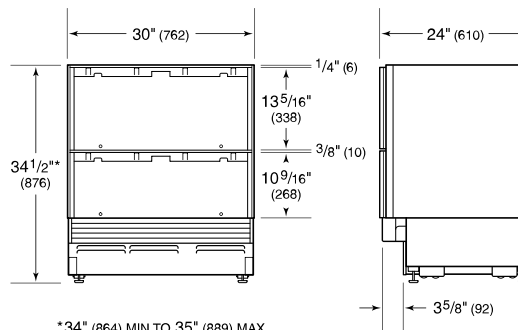
NOTE: Dimensions in parenthesis are in millimeters unless otherwise specified

INTERIOR VIEW

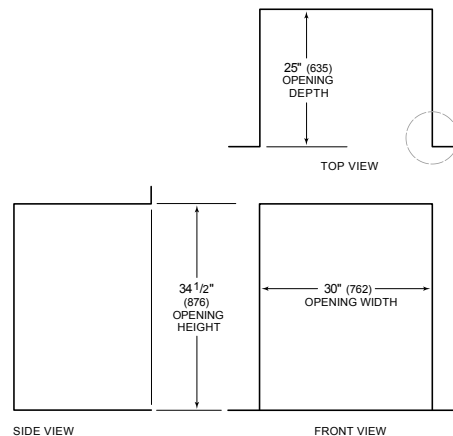


This illustration is intended for interior reference only and may not represent the exterior of the model being specified.

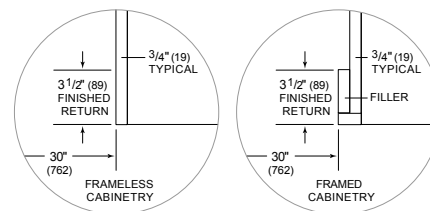
DIMENSIONS



STANDARD INSTALLATION

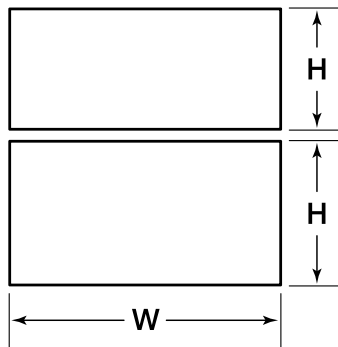


NOTE: 3 1/2" (89) finished returns will be visible and should be finished to match cabinetry



Panel Specifications

Single Model: ID-30R



PANEL	WIDTH	HEIGHT	MIN THICKNESS	MAX WEIGHT
Drawer (Upper)	29 ³ / ₄ "	13 ⁹ / ₁₆ "	⁵ / ₈ "	15 lbs
Drawer (Lower)	29 ³ / ₄ "	16 ¹¹ / ₁₆ "	⁵ / ₈ "	15 lbs

PLEASE NOTE: Panel specs change slightly when units are combined. Visit <http://www.subzerowolf.com/trade-resources/reveal> for exact dimensions.

Panel Planning Notes

Single Model: ID-30R

Designer models require custom drawer panels and handle hardware. D-style handles are recommended. Drawer handles must be located near the top edge of each panel.

The thickness of the custom panel can vary. A minimum 5/8" (16) thick panel is required, but the thickness can be increased provided it does not exceed the weight limit.

The depth of each designer model is 24" (610). Allow for panel thickness when planning the finished opening depth.

Finish all sides of custom panels. They will be visible when the door/drawer is open.

Typical panel dimensions are based on a 34 1/2" (876) for drawer models and 1/8" (3) reveals. Panel dimensions must be adjusted accordingly for all other installations.

Stainless steel tubular and pro handles are available through an authorized Sub-Zero dealer.

Minimum Panel Thickness

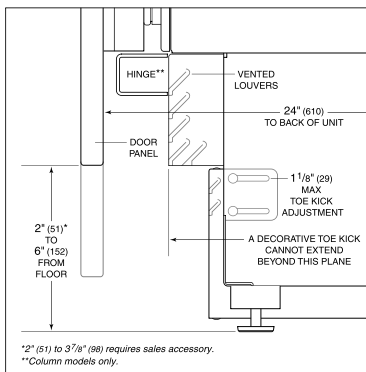
5/8"

Standard Handle Lengths (Optional)

HANDLE	TUBULAR	PRO
ID-30R Drawer	27 1/4"	25 1/2"

Toe Kick Clearance

The height of the toe kick area can extend beyond the typical toe kick height, provided it does not exceed the dimensions in the illustration below. Toe kick heights from 2" (51) to 3 7/8" (98) require a reduced toe kick accessory available through an authorized Sub-Zero dealer.



Toe kick (side view).

IT-30CIID



FEATURES

- Monitor and control remotely with Wi-Fi connectivity
- Accepts custom panels for an integrated look within cabinetry or stainless-steel accessory panels and handles to match other Sub-Zero, Wolf, and Cove products
- Preserves frozen foods with frigid, dry air
- Controls temperature within one degree of setpoint
- Locks in cold air with a magnetic door seal system
- Fight spoilage and odors with a NASA-inspired air purification system
- Filters water and ice, removing contaminants, chlorine taste, and odor
- Delivers fresh, filtered water through an internal dispenser designed to discreetly rest within the refrigerator
- Yields ice automatically and "max ice" for additional production
- Keeps produce fresher with high-humidity, sealed crisper and deli drawers
- Refer to freshness cards for tips on food preservation, use, and care
- Promotes easy clean-up with Nano-coated, spill-proof shelves
- Control brightness with soft-on LED lighting

ACCESSORIES

- Air Purification Cartridge
- Egg Container
- Reduced Toekick Divider
- Stainless Steel Side Panel
- Stainless Steel Top Panel
- Water Filter
- Stainless Steel Tubular Handles
- Stainless Steel Pro Handles
- Dual Installation Kits
- Stainless Steel Door Panels With Pro Handle
- Stainless Steel Door Panels With Tubular Handle
- Stainless Steel Drawer Panels With Pro Handles
- Stainless Steel Drawer Panels With Tubular Handles
- Stainless Steel Dual Installation Kickplates

Accessories are available through an authorized dealer. For local dealer information, visit subzero-wolf.com/locator.



HANDLE ACCESSORIES

PRO



TUBULAR



PRODUCT DETAILS

REFRIGERATOR

- LED refrigerator and freezer lights
- 4 glass refrigerator shelves (3 adjustable; 1 stationary)
- 3 adjustable glass shelves
- Crisper drawer with adjustable dividers
- 3 door bins (2 adjustable; 1 stationary)
- Internal water dispenser

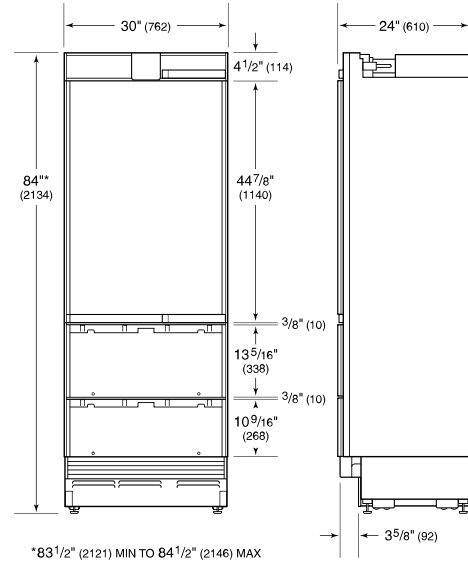
FREEZER

- 2 full-extension roll-out freezer drawers; one with adjustable dividers
- Automatic ice maker with removable ice container

PRODUCT SPECIFICATIONS

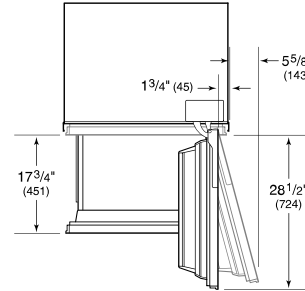
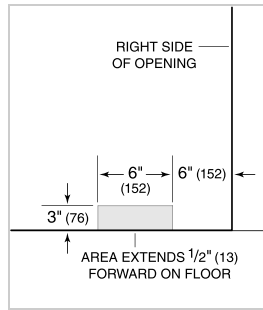
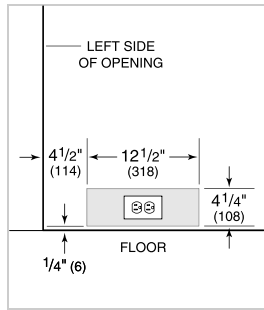
Model	IT-30CIID
Dimensions	30"W x 84"H x 24"D
Door Clearance	28 1/2"
Drawer Clearance	18 3/8"
Refrigerator Capacity	10.6 cu. ft.
Freezer Capacity	5 cu. ft.
Electrical Supply	115 VAC, 60 Hz
Electrical Service	15 amp dedicated circuit
Plumbing Supply	1/4" OD copper, braided stainless steel or PEX tubing
Plumbing Pressure	35–120 psi

DIMENSIONS



ELECTRICAL

PLUMBING

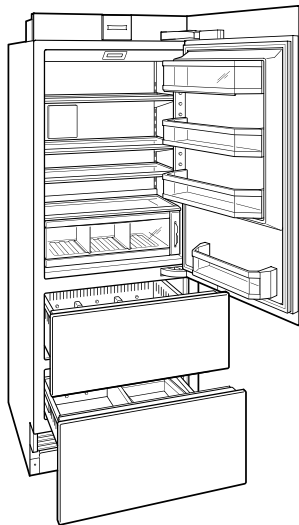


NOTE: The electrical outlet must be positioned with the grounding prong to the right of the thinner blades.

PANEL SPECIFICATIONS For complete panels specifications including width/height, weight requirements and thickness requirements visit subzero-wolf.com/reveal.

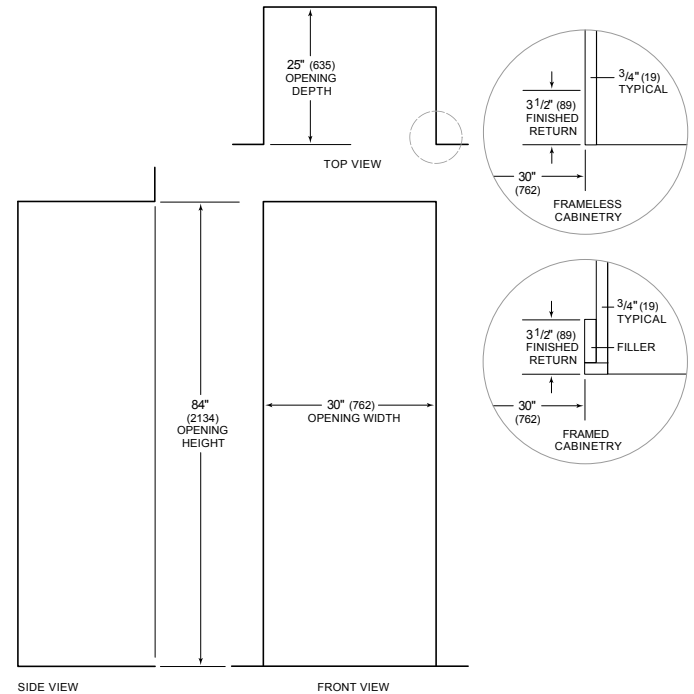
NOTE: Dimensions in parenthesis are in millimeters unless otherwise specified

INTERIOR VIEW



This illustration is intended for interior reference only and may not represent the exterior of the model being specified.

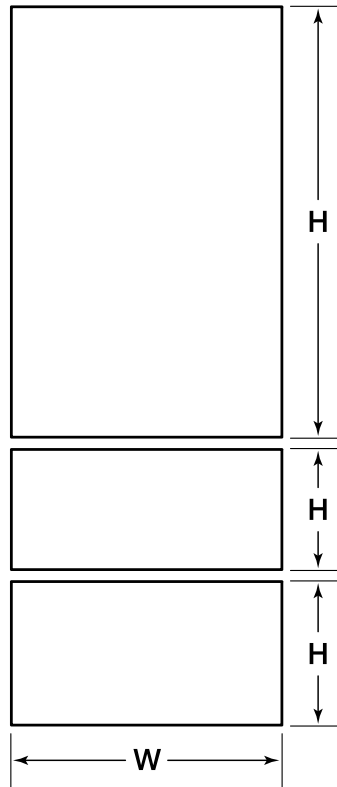
STANDARD INSTALLATION



NOTE: 3 1/2" (89) finished returns will be visible and should be finished to match cabinetry

Panel Specifications

Single Model: IT-30CIID



PANEL	WIDTH	HEIGHT	MIN THICKNESS	MAX WEIGHT
Door	29 3/4"	49 3/8"	5/8"	50 lbs
Drawer (Upper)	29 3/4"	13 9/16"	5/8"	15 lbs
Drawer (Lower)	29 3/4"	16 11/16"	5/8"	15 lbs

PLEASE NOTE: Panel specs change slightly when units are combined. Visit <http://www.subzerowolf.com/trade-resources/reveal> for exact dimensions.

Panel Planning Notes**Single Model: IT-30CIID**

For designer models, custom door panels and handle hardware must be provided.

The thickness of the custom panel can vary. A minimum 5/8" (16) thick panel is required, but the thickness can be increased provided it does not exceed the weight limit.

The depth of each designer model is 24" (610). Allow for panel thickness when planning the finished opening depth.

D-style handles are recommended. Door handles must be located near the edge of the panel opposite the hinge and should be centered top to bottom.

Typical panel dimensions are based on an 84" (2134) finished height for column and tall models and 1/8" (3) reveals. Panel dimensions must be adjusted accordingly for all other installations. Finish all sides of custom panels. They will be visible when the door/drawer is open.

Stainless steel tubular and pro handles are available through an authorized Sub-Zero dealer.

Drawer handles must be located near the top edge of each panel.

Minimum Panel Thickness

5/8"

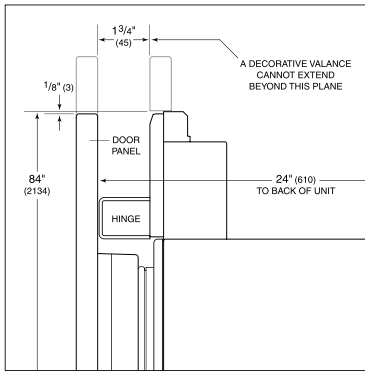
Standard Handle Lengths (Optional)

HANDLE	TUBULAR	PRO
IT-30CIID Door	33 1/4"	31 1/2"
IT-30CIID Drawer	27 1/4"	25 1/2"

Door Panel Height

Typical panel dimensions are based on an 84" (2134) finished height for column and tall models and 34 1/2" (876) for drawer models, with a 4" (102) toe kick and 1/8" (3) reveals. Panel dimensions must be adjusted accordingly for all other installations.

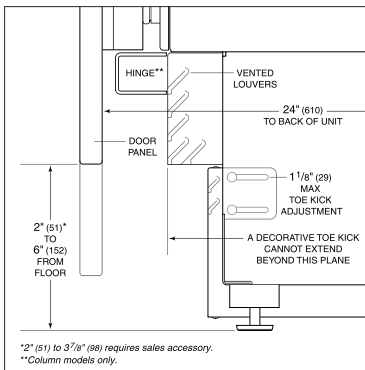
The height of the custom door panel can extend beyond the typical panel height, provided it does not exceed the weight limit.



Upper valance—column and tall (side view).

Toe Kick Clearance

The height of the toe kick area can extend beyond the typical toe kick height, provided it does not exceed the dimensions in the illustration below. Toe kick heights from 2" (51) to 3 7/8" (98) require a reduced toe kick accessory available through an authorized Sub-Zero dealer.



Toe kick (side view).

IT-30R



FEATURES

Monitor and control remotely with Wi-Fi connectivity

Accepts custom panels for an integrated look within cabinetry or stainless-steel accessory panels and handles to match other Sub-Zero, Wolf, and Cove products

Preserves refrigerated foods with cool, moist air

Controls temperature within one degree of setpoint

Locks in cold air with a magnetic door seal system

Fight spoilage and odors with a NASA-inspired air purification system

Keeps produce fresher with high-humidity, sealed crisper and deli drawers

Refer to freshness cards for tips on food preservation, use, and care

Promotes easy clean-up with Nano-coated, spill-proof shelves

Control brightness with soft-on LED lighting

ACCESSORIES

Air Purification Cartridge

Egg Container

Reduced Toekick Divider

Stainless Steel Side Panel

Stainless Steel Top Panel

Stainless Steel Tubular Handles

Stainless Steel Pro Handles

Dual Installation Kits

Stainless Steel Door Panels With Pro Handle

Stainless Steel Door Panels With Tubular Handle

Stainless Steel Drawer Panels With Pro Handles

Stainless Steel Drawer Panels With Tubular Handles

Stainless Steel Dual Installation Kickplates

Accessories are available through an authorized dealer.
For local dealer information, visit subzero-wolf.com/locator.



HANDLE ACCESSORIES

PRO



TUBULAR



PRODUCT DETAILS

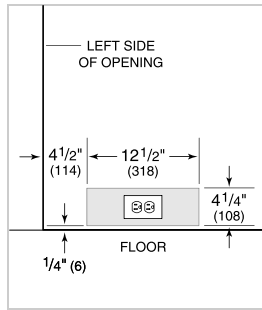
REFRIGERATOR

- LED refrigerator lights
- 4 glass refrigerator shelves (3 adjustable; 1 stationary)
- Crisper drawer with dividers and sliding cover
- 1 deli drawer with adjustable dividers
- 3 door bins (2 adjustable; 1 stationary)
- 1 adjustable dairy compartment

PRODUCT SPECIFICATIONS

Model	IT-30R
Dimensions	30"W x 84"H x 24"D
Door Clearance	28 1/2"
Drawer Clearance	18 3/8"
Refrigerator Capacity	16.5 cu. ft.
Electrical Supply	115 VAC, 60 Hz
Electrical Service	15 amp dedicated circuit

ELECTRICAL

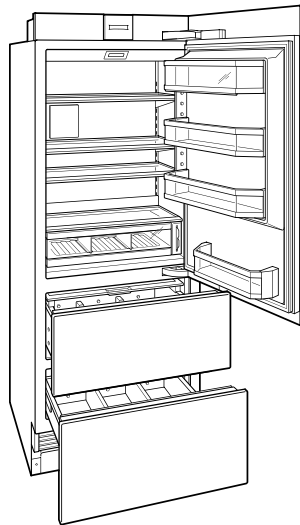


NOTE: The electrical outlet must be positioned with the grounding prong to the right of the thinner blades.

PANEL SPECIFICATIONS For complete panels specifications including width/height, weight requirements and thickness requirements visit subzero-wolf.com/reveal.

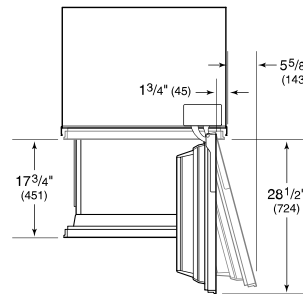
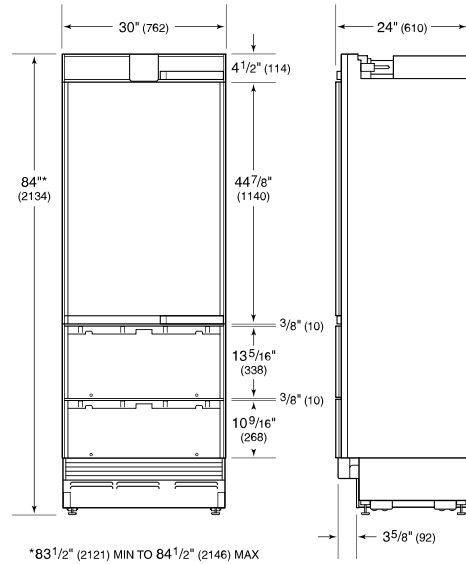
NOTE: Dimensions in parenthesis are in millimeters unless otherwise specified

INTERIOR VIEW

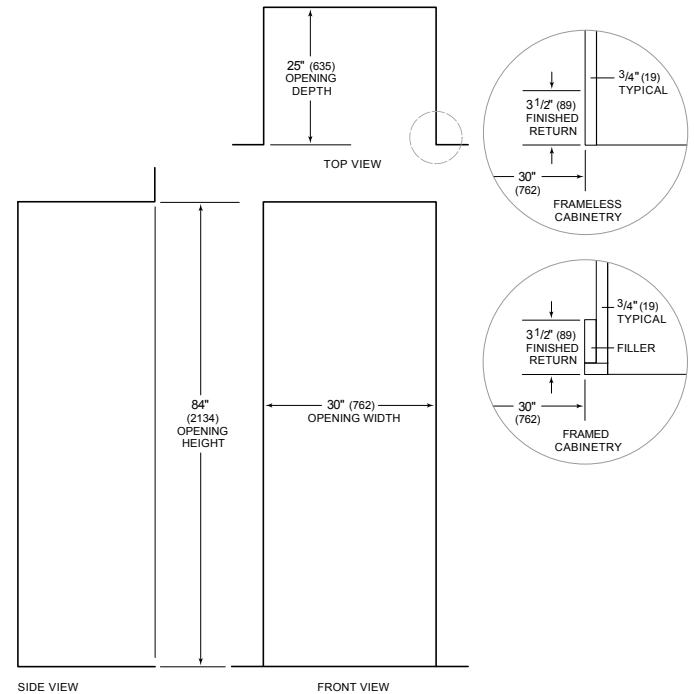


This illustration is intended for interior reference only and may not represent the exterior of the model being specified.

DIMENSIONS



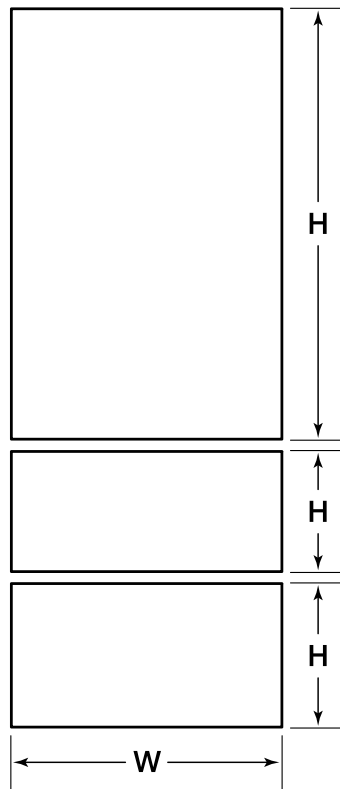
STANDARD INSTALLATION



NOTE: 3 1/2" (89) finished returns will be visible and should be finished to match cabinetry

Panel Specifications

Single Model: IT-30R



PANEL	WIDTH	HEIGHT	MIN THICKNESS	MAX WEIGHT
Door	29 3/4"	49 3/8"	5/8"	50 lbs
Drawer (Upper)	29 3/4"	13 9/16"	5/8"	15 lbs
Drawer (Lower)	29 3/4"	16 11/16"	5/8"	15 lbs

PLEASE NOTE: Panel specs change slightly when units are combined. Visit <http://www.subzerowolf.com/trade-resources/reveal> for exact dimensions.

Panel Planning Notes

Single Model: IT-30R

For designer models, custom door panels and handle hardware must be provided.

The thickness of the custom panel can vary. A minimum 5/8" (16) thick panel is required, but the thickness can be increased provided it does not exceed the weight limit.

The depth of each designer model is 24" (610). Allow for panel thickness when planning the finished opening depth.

D-style handles are recommended. Door handles must be located near the edge of the panel opposite the hinge and should be centered top to bottom.

Typical panel dimensions are based on an 84" (2134) finished height for column and tall models and 1/8" (3) reveals. Panel dimensions must be adjusted accordingly for all other installations. Finish all sides of custom panels. They will be visible when the door/drawer is open.

Stainless steel tubular and pro handles are available through an authorized Sub-Zero dealer.

Drawer handles must be located near the top edge of each panel.

Minimum Panel Thickness

5/8"

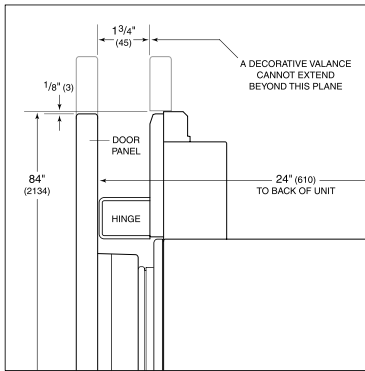
Standard Handle Lengths (Optional)

HANDLE	TUBULAR	PRO
IT-30R Door	33 1/4"	31 1/2"
IT-30R Drawer	27 1/4"	25 1/2"

Door Panel Height

Typical panel dimensions are based on an 84" (2134) finished height for column and tall models and 34 1/2" (876) for drawer models, with a 4" (102) toe kick and 1/8" (3) reveals. Panel dimensions must be adjusted accordingly for all other installations.

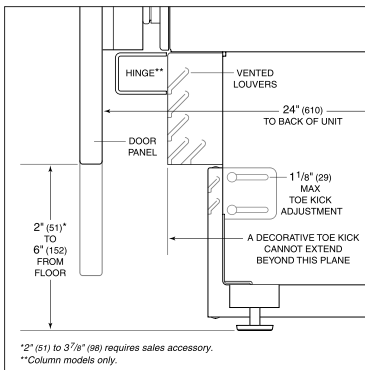
The height of the custom door panel can extend beyond the typical panel height, provided it does not exceed the weight limit.



Upper valance—column and tall (side view).

Toe Kick Clearance

The height of the toe kick area can extend beyond the typical toe kick height, provided it does not exceed the dimensions in the illustration below. Toe kick heights from 2" (51) to 3 7/8" (98) require a reduced toe kick accessory available through an authorized Sub-Zero dealer.



*2" (51) to 3 7/8" (98) requires sales accessory.
**Column models only.

Toe kick (side view).

IW-24



FEATURES

Accepts custom panels for an integrated look within cabinetry or stainless-steel accessory panels and handles to match other Sub-Zero, Wolf, and Cove products

Offers any-occasion-102-bottle capacity

Store seven 750-ml wine bottles on each smooth roller-glide shelf

Maintains constant, moderate humidity with dual evaporators so corks do not dry out

Shields wine from aging with UV-resistant glass door

Select the wine you want without agitating others with textured roller-glide shelves that do not vibrate

Locks in cold air to ensure freshness with magnetic door seals

Locate your favorite bottles easily with LED lighting

Organize your collection with our inventory tile system

Connects to your home security system

ACCESSORIES

24" Bulk Storage Drawer

Dessert Wine Rack

Door Lock Kit

Reduced Toekick Divider

Stainless Steel Side Panel

Stainless Steel Top Panel

Wine Inventory Tiles

Wine Inventory Tiles - Writable

Dual Installation Kits

Stainless steel pro handles

Stainless steel tubular handles

Stainless Steel Door Panels With Pro Handle - 4" Toe Kick

Stainless Steel Door Panels With Pro Handle - 6" Toe Kick

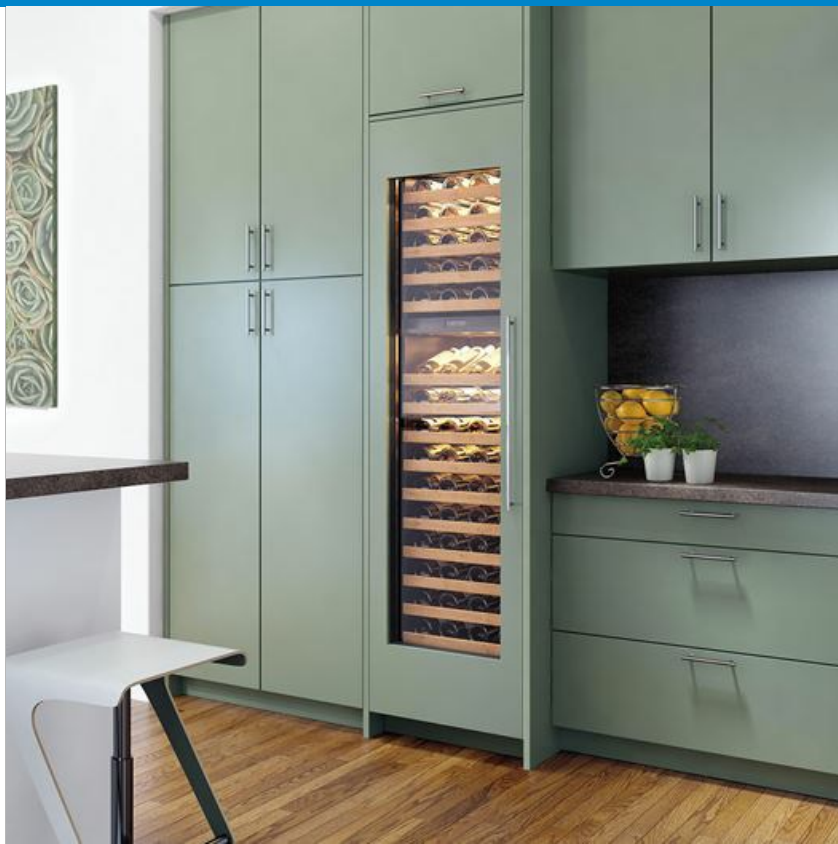
Stainless Steel Door Panels With Tubular Handle - 4" Toe Kick

Stainless Steel Door Panels With Tubular Handle - 6" Toe Kick

Solid Panel Ready Door

Stainless Steel Dual Installation Kickplates

Accessories are available through an authorized dealer.
For local dealer information, visit subzero-wolf.com/locator.



HANDLE ACCESSORIES

PRO



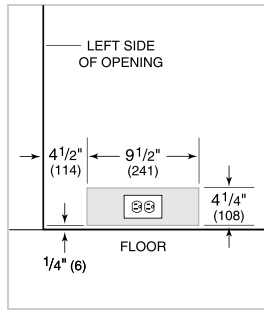
TUBULAR



PRODUCT SPECIFICATIONS

Model	IW-24
Dimensions	24"W x 84"H x 24"D
Door Clearance	22 1/2"
Weight	410 lbs
Electrical Supply	115 VAC, 60 Hz
Electrical Service	15 amp dedicated circuit
Wine Storage Capacity	102 Bottles

ELECTRICAL

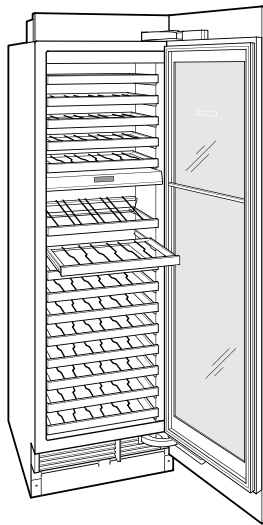


NOTE: The electrical outlet must be positioned with the grounding prong to the right of the thinner blades.

PANEL SPECIFICATIONS For complete panels specifications including width/height, weight requirements and thickness requirements visit subzero-wolf.com/reveal.

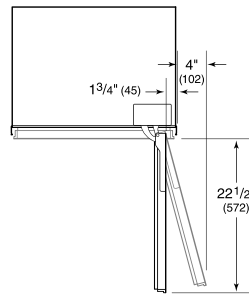
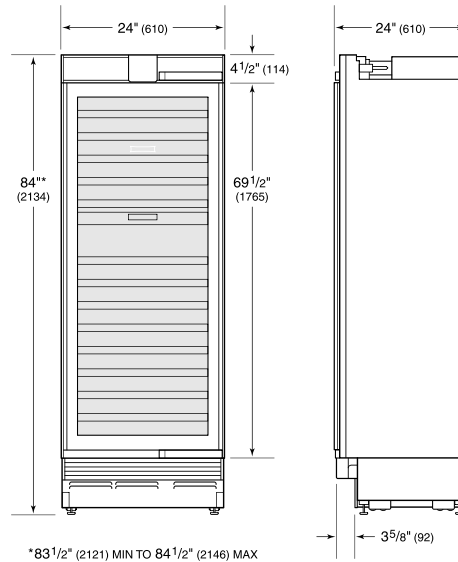
NOTE: Dimensions in parenthesis are in millimeters unless otherwise specified

INTERIOR VIEW

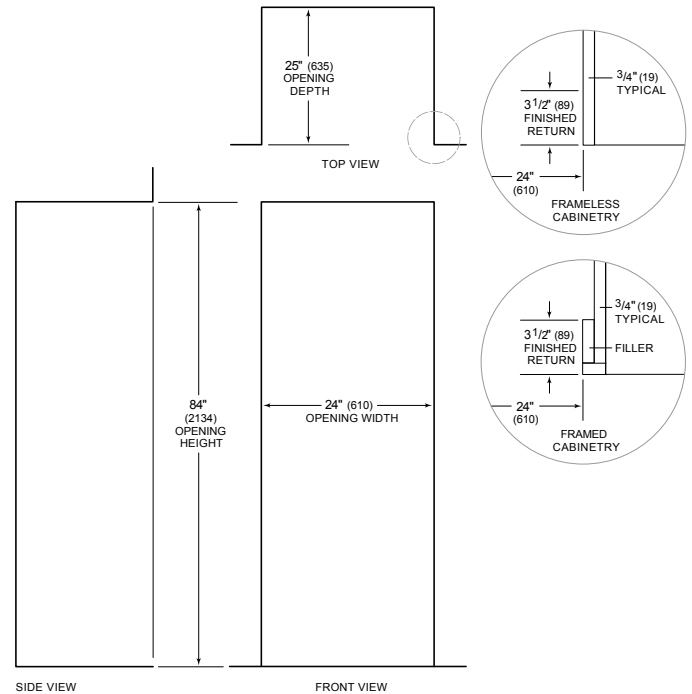


This illustration is intended for interior reference only and may not represent the exterior of the model being specified.

DIMENSIONS



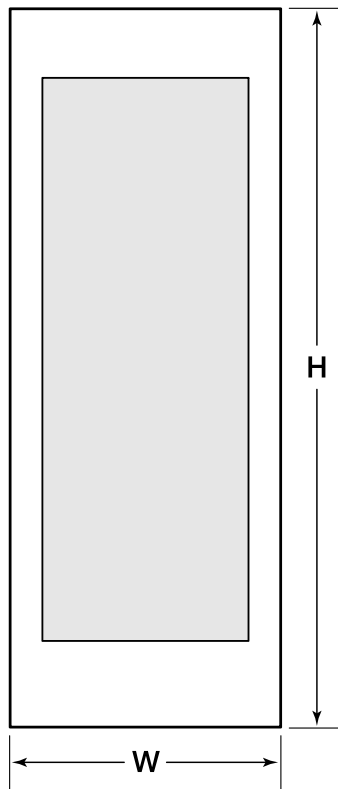
STANDARD INSTALLATION



NOTE: 3 1/2" (89) finished returns will be visible and should be finished to match cabinetry

Panel Specifications

Single Model: IW-24



PANEL	WIDTH	HEIGHT	MIN THICKNESS	MAX WEIGHT
Door	23 3/4"	79 7/8"	5/8"	35 lbs
Top Rail	--	7 3/4"	5/8"	--
Bottom Rail	--	9 1/2"	5/8"	--
Stiles	3 1/4"	--	5/8"	--

PLEASE NOTE: Panel specs change slightly when units are combined. Visit <http://www.subzerowolf.com/traderesources/reveal> for exact dimensions.

Panel Planning Notes

Single Model: IW-24

For designer models, custom door panels and handle hardware must be provided.

The thickness of the custom panel can vary. A minimum 5/8" (16) thick panel is required, but the thickness can be increased provided it does not exceed the weight limit.

The depth of each designer model is 24" (610). Allow for panel thickness when planning the finished opening depth.

D-style handles are recommended. Door handles must be located near the edge of the panel opposite the hinge and should be centered top to bottom.

Typical panel dimensions are based on an 84" (2134) finished height for column and tall models and 1/8" (3) reveals. Panel dimensions must be adjusted accordingly for all other installations. Finish all sides of custom panels. They will be visible when the door/drawer is open.

Stainless steel tubular and pro handles are available through an authorized Sub-Zero dealer.

Minimum Panel Thickness

5/8"

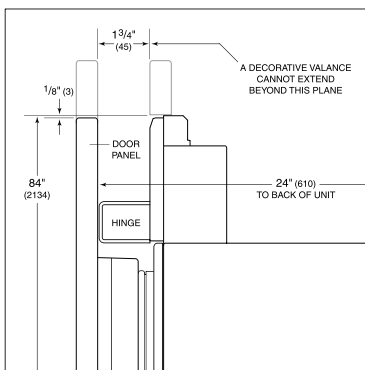
Standard Handle Lengths (Optional)

HANDLE	TUBULAR	PRO
IW-24 Door	50 1/8"	48 3/8"

Door Panel Height

Typical panel dimensions are based on an 84" (2134) finished height for column and tall models and 34 1/2" (876) for drawer models, with a 4" (102) toe kick and 1/8" (3) reveals.

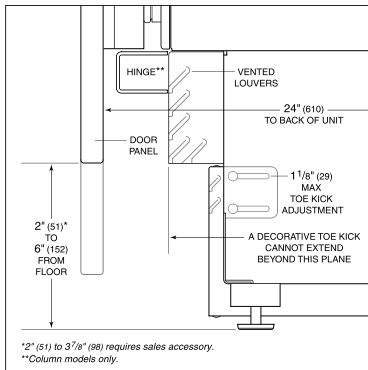
The height of the custom door panel can extend beyond the typical panel height, provided it does not exceed the weight limit.



Upper valance—column and tall (side view).

Toe Kick Clearance

The height of the toe kick area can extend beyond the typical toe kick height, provided it does not exceed the dimensions in the illustration below. Toe kick heights from 2" (51) to 3 7/8" (98) require a reduced toe kick accessory available through an authorized Sub-Zero dealer.



Toe kick (side view).

40 SERIES DFI664



FEATURES

Accepts custom panel and handle

Premium height-adjustable upper rack and premium lower rack

Top tray with Instant Lift™

Heavy-duty stainless steel construction

Nylon-coated steel racks

Turbo Drying™ system

16 place-setting capacity

Quiet operation—42 dB(A)

9Spray™ wash system

Hidden controls

LED lit interior

LED display

Delayed start

ADA height compliant

ACCESSORIES

Stainless steel front panel with tubular or pro handle

Stainless steel tubular or pro handle

Accessories available through an authorized Asko dealer. For local dealer information, visit the where to buy section of our website, askona.com.



PROGRAMS

- Normal Wash
- Eco Wash
- Sanitation Wash
- Time Program
- Plastic Wash
- Hygiene Wash
- Crystal Glass
- Lower Half Wash
- Upper Half Wash
- Self-Cleaning
- Rinse and Hold

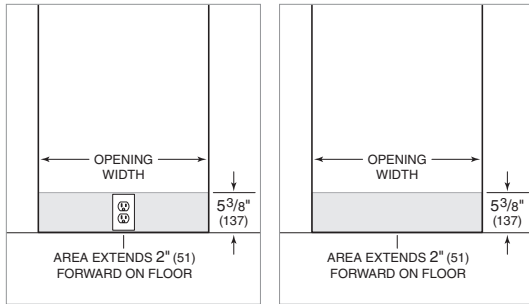
PRODUCT SPECIFICATIONS

Model	DFI664
Width	23 ⁵ / ₈ "
Height	32 ³ / ₄ "*** – 34 ³ / ₄ "
Depth	22"
Door Clearance	24 ⁵ / ₈ "
Weight	115 lb
Electrical Supply	115 VAC, 60 Hz
Service	15 amp dedicated circuit
Receptacle	3-prong grounding-type
Power Cord	4'
Water Connection	6' PEX tubing with 3/8" NPT female connection
Drain Connection	5' corrugated tubing
Pressure	4.2–140 psi

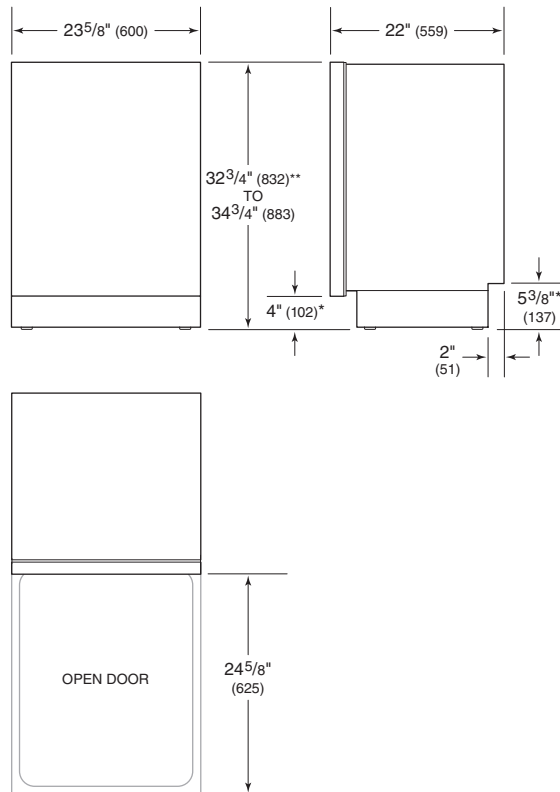
Product dimensions do not include panel and handle.
Dimensions will vary with panel thickness.

Electrical supply, plumbing supply, and drain should be located in an adjacent cabinet. If not, they must be located within the shaded area shown in the illustrations below.

ELECTRICAL | PLUMBING

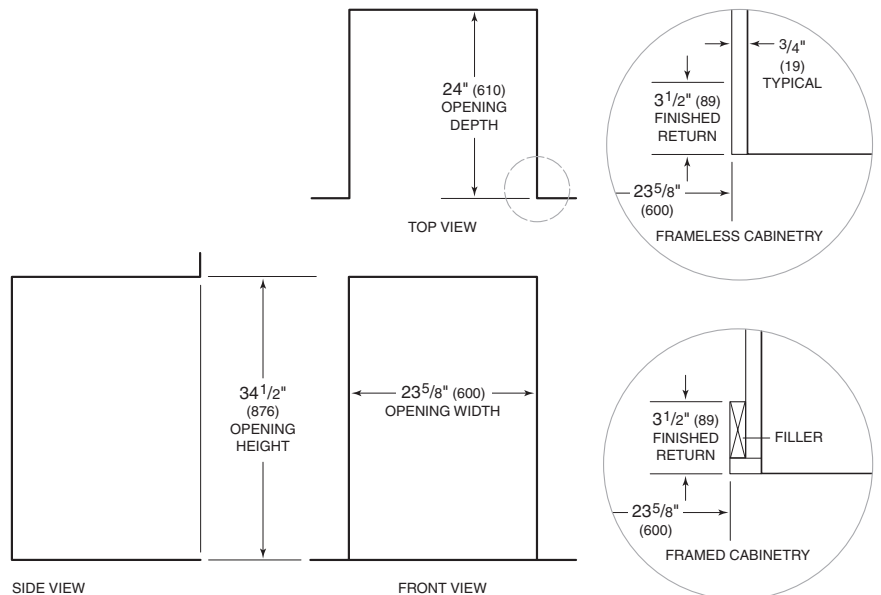


DIMENSIONS



*Dimension will vary with product height.
**Can be reduced to 32¹/₄" (819).

INSTALLATION



NOTE: 3¹/₂" (89) finished returns will be visible and should be finished to match cabinetry.

Custom Panel

PANEL READY

IMPORTANT NOTE: The size of the custom door panel is directly related to the size of the opening.

The two most common dishwasher opening widths are 24" (610) and 23⁵/₈" (60 cm). For all other widths, the panel should be ¹/₄" (6) less than the opening to achieve minimum reveals. The minimum panel width is 23³/₈" (594).

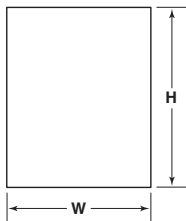
The most common dishwasher opening height is 34¹/₂" (876). The panel dimensions in the chart below are based on a 34¹/₂" (876) opening, with a 4" (102) toe kick and ³/₈" (10) top reveal. For all other opening and toe kick heights, the panel must be adjusted accordingly. The minimum panel height is 28" (711). The minimum toe kick height is 4" (102).

Finish all sides of the custom panel. They may be visible when the door is open.

PANEL DIMENSIONS	W	H
23 ⁵ / ₈ " (60 cm) Opening	23 ³ / ₈ " (594)	30 ¹ / ₈ " (765)
24" (610) Opening	23 ³ / ₄ " (603)	30 ¹ / ₈ " (765)

PANEL REQUIREMENTS

Max Weight (including handle)	20 lb (9 kg)
Min Thickness	³ / ₄ " (19)



Panel dimensions

ADA CUSTOM PANEL HEIGHT

The American with Disabilities Act limits the countertop height to 34" (864). Differing countertop thickness will affect the overall panel height.

Typical panel dimensions are based on a 32¹/₂" (826) opening height with a 4" (102) toe kick and ³/₈" (10) top reveal. The panel height cannot be less than 28" (711). Refer to the chart below for typical panel dimensions.

PANEL DIMENSIONS (ADA)	W	H
23 ⁵ / ₈ " (60 cm) Opening	23 ³ / ₈ " (594)	28 ¹ / ₈ " (714)
24" (610) Opening	23 ³ / ₄ " (603)	28 ¹ / ₈ " (714)

PANEL REQUIREMENTS

Max Weight (including handle)	20 lb (9 kg)
Min Thickness	³ / ₄ " (19)



Controls at the bottom

Right-hinged

BS 484 612

Stainless steel-backed full glass door
Width 30" (76 cm)

Left-hinged

BS 485 612

Stainless steel-backed full glass door
Width 30" (76 cm)

Included accessories

- 1 Cooking container, stainless steel, perforated
- 1 Cooking container, stainless steel, unperforated
- 1 wire rack
- 1 plug-in core temperature probe
- 1 outlet hose (118") on the appliance, interior diameter 1/16" (the water connection is the same as for the dishwasher)
- 1 water inlet hose, 118" long (3 m)
- 4 cleaning cartridges

Installation accessories

GZ 010 011

Aqua stop extension (7.2' long)
Extension for water inlet and outlet.

Optional accessories

BA 010 301

Triple telescopic pull-out rack
For Combi-steam oven.

BA 020 360

Cooking container, stainless steel, unperforated, 1 9/16" (40 mm) deep, 5 qt.

BA 020 370

Cooking container, stainless steel, perforated, 1 9/16" (40 mm) deep, 5 qt.

BA 020 380

Cooking container, non-stick, unperforated, 1 9/16" (40 mm) deep, 5 qt.

BA 020 390

Cooking container, non-stick, perforated, 1 9/16" (40 mm) deep, 5 qt.

BA 030 300

Wire rack

CL S10 040

Cleaning cartridges, set of 4
For Combi-steam ovens.

Part No. 17002490

Descaling tablets, set of 4.
For Combi-steam ovens.

GN 010 330

Adapter for gastronorm insert and roaster.

GN 114 130

Gastronorm insert, stainless steel
1 1/2" deep, GN 1/3, half tray size
Unperforated, 1.5 qt.

400 series Combi-steam oven

BS 484/BS 485

- Handleless door / automatic door opening
- Fixed inlet and outlet water connection
- Cleaning system, fully automatic
- Large cavity
- 2 LED light sources
- External steam generation
- Steaming without pressure
- Convection from 85°F – 450°F at variable humidity levels of 0%, 30%, 60%, 80% or 100%
- Sous-vide cooking with accurate temperature regulation
- Full surface broil element behind glass ceramic, combinable with convection up to 450 °F and steam
- Automatic programs
- Core temperature probe with estimation of cooking time
- Convection fan rotates in both directions for ideal heat distribution
- TFT touch display
- Centralized controls for easy use and intuitive operation
- Electronic temperature control from 85°F – 450°F
- Net volume 2.1 cu.ft.
- Star-K certified

Heating methods

Convection + 100 % humidity.
Convection + 80 % humidity.
Convection + 60 % humidity.
Convection + 30 % humidity.
Convection + 0 % humidity.
Low temperature cooking.
Sous-vide cooking.
Broil level 1 (less intensive) + humidity.
Broil level 2 (more intensive) + humidity.
Broil + convection.
Dough proofing.
Defrosting.
Regenerating.

Operation

Automatic door opening.
Rotary knob and TFT touch display operation.
Clear text display in 44 languages.
Option to save individual recipes (incl. core temperature probe).
Personalization of automatic programs.
Information key with use indicators.
Side-opening door opens up to 180° angle.

Features

Full surface broil element 2000 W behind glass ceramic.
Steam removal.
Misting.
Three-point core temperature probe with automatic shut-off and estimation of cooking time.
Automatic programs.
Actual temperature display.
Timer functions: cooking time, cooking time end, timer, stopwatch, long-term timer (Sabbath mode).
Automatic boiling point detection.
2 x LED light (one on each side).
Hygienic stainless steel cooking interior.
3 rack levels.

Home network integration for digital services (Home Connect) either via

GN 114 230

Gastronorm insert, stainless steel
1 1/2" deep, GN 2/3, full tray size
Unperforated, 3 qt.

GN 124 130

Gastronorm insert, stainless steel
1 1/2" deep, GN 1/3, half tray size.
Perforated, 1.5 qt.

GN 124 230

Gastronorm insert, stainless steel
1 1/2" deep, GN 2/3, full tray size
Perforated, 3 qt.

GN 340 230

Gastronorm roaster in cast aluminum.
GN 2/3, height 4", with 2 1/2" lid
non-stick.

cable connection LAN (recommended) or wireless via WiFi.

The use of the Home Connect functionality depends on the Home Connect services, which are not available in every country. For further information please check: home-connect.com.

Safety

Child lock.
Safety shut-off.
Cooled housing with temperature protection.

Cleaning

Cleaning program, fully automatic.
Descaling program for the steam generator.
Drying program.
Automatic drying of the cavity at the end of the cooking process.
Strainer filter, removable.
Demo cleaning program.

Planning notes

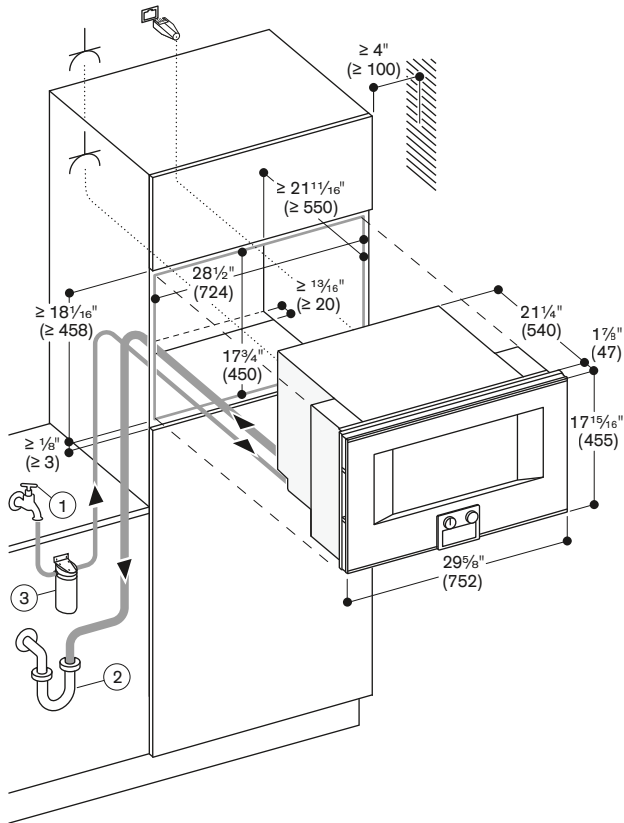
Door hinge not reversible.
No other electrical appliances should be installed above the BS Combi-steam oven.
At no point may the outlet hose be positioned higher than the bottom edge of the appliance. The outlet hose must also be at least 4" lower than the appliance outlet (see drawing "drainage connection").
Inlet hose can be extended once.
The outlet hose must not be longer than a maximum of 204".
The water connection (1) for the inlet hose must always be accessible and not located directly behind the appliance.
The connection of the outlet hose to the siphon (2) must not be directly behind the appliance and should be accessible.
The front of the appliance extends 1 7/8" from the cabinet front.
Consider the overhang when planning to open drawers next to the appliance. Plan a gap of at least 9/16" between the appliance and adjacent cabinets.
When planning a corner solution, pay attention to the 90° door opening angle.
To achieve the 21 5/8" installation depth, the hoses and connecting cable need to follow the slanted edge on the lower left hand corner of the housing and then be led down and up, respectively.
The power outlet needs to be planned outside of the cut-out.
NOTE: Water from reverse osmosis system must never be used.

Please read the installation details regarding oven combination on pages 12 – 15.

Rating

Total rating 3.2 kW.
Total Amps: 16 A.
208/220 – 240 V / 60 Hz
Plan for a 47 1/4" connecting cable without plug (hardwire required)
Plan for a LAN cable or connect via WiFi.

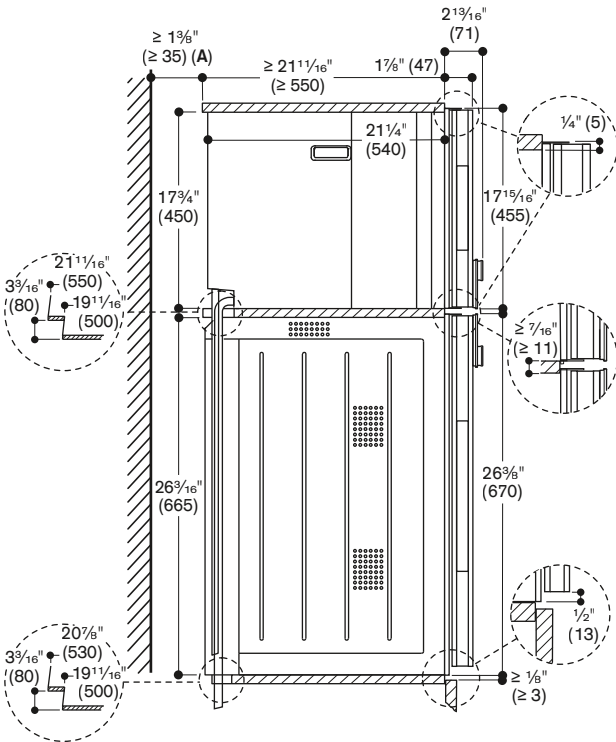




Socket

measurements in inches (mm)

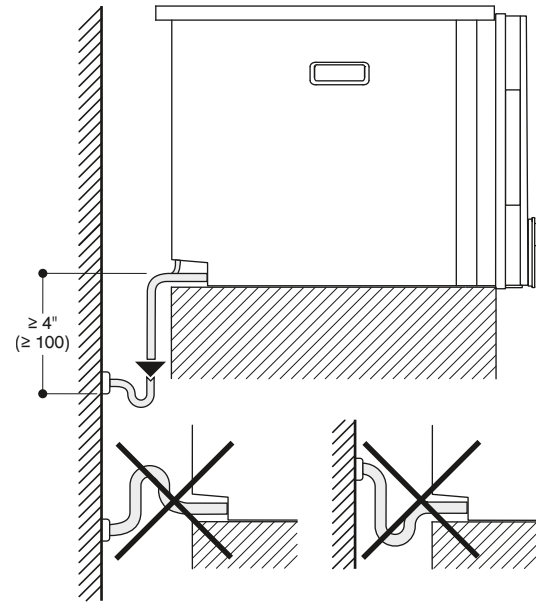
Side view of BS 484/485 above BO



A: Only required if the water hoses for the BS steam oven cannot be accommodated in the corner recesses of the appliances.

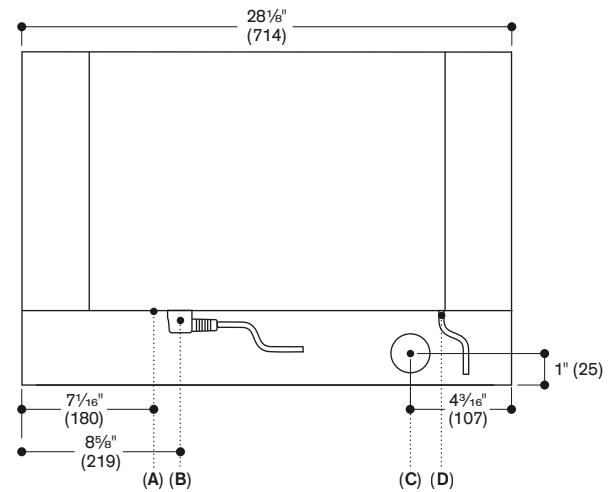
measurements in inches (mm)

Numbers indicated inside parenthesis () = mm



measurements in inches (mm)

View from rear



A: LAN connection
B: Electric terminal box
C: Water outlet
D: Cold water inlet

Measurements in inches (mm)



Controls on top

Right-hinged
BO 480 613

Stainless steel-backed full glass door
Width 30" (76 cm)

Left-hinged

BO 481 613

Stainless steel-backed full glass door
Width 30" (76 cm)

Included accessories

- 1 baking tray, pyrolysis-safe enamel
- 1 rotisserie spit
- 1 wire rack
- 1 broiling tray with wire rack
- 1 plug-in core temperature probe

Optional accessories

BA 018 165

Pull-out system

Fully extendable telescopic rails and enameled cast iron frame.

BA 028 115

Baking tray, enameled

1" deep.

BA 038 165

Wire rack, chromium-plated

Without opening, with feet.

BA 058 115

Heating element for baking stone and Gastronorm roaster

BA 058 133

Baking stone

Incl. baking stone support and pizza peel (heating element must be ordered separately). Cannot be used in combination with pull-out system.

BS 020 002

Pizza peel, additional set of 2.

GN 340 230

Gastronorm roaster in cast aluminum. GN 2/3, height 4", with 2 1/2" lid non-stick.



400 series oven

BO 480/BO 481

- Handleless door/automatic door opening
- Pyrolysis system
- 17 heating methods, with rotisserie spit, roaster and baking stone function
- Automatic programs
- Core temperature probe with estimation of cooking time
- TFT touch display
- Electronic temperature control from 85°F to 550°F
- Net volume 4.5 cu.ft.
- Star-K certified.

Cooking modes

Convection.

Economy convection.

Top + bottom heat.

Top + 1/2 bottom heat.

Top heat.

1/2 top + bottom heat.

Bottom heat.

Convection + bottom heat.

Convection + 1/2 bottom heat.

Broil + circulated air.

Broil.

Economy broil.

Baking stone function.

Roaster function.

Dough proofing.

Defrosting.

Keeping warm.

Operation

Automatic door opening.

Rotary knob and TFT touch display operation.

Clear text display in 44 languages.

Option to save individual recipes (incl. core temperature probe).

Personalization of automatic programs.

Information key with use indicators.

Side-opening door opens up to

180° angle.

Features

Three-point core temperature probe with automatic shut-off and estimation of cooking time.

Automatic programs.

Rotisserie spit.

Outlet for optional additional heating element used for baking stone or gastronorm roaster function.

Actual temperature display.

Super-quick preheating.

Timer functions: cooking time, cooking-time end, timer, stop watch, long-term timer (Sabbath mode).

60W halogen light on the top.

2x 10W halogen light (one on each side).

Enameled side rack supports with 5 rack levels, pyrolysis-safe.

Home network integration for digital services (Home Connect) either via cable connection LAN (recommended) or wireless via WiFi.

The use of Home Connect functionality depends on the Home Connect Services, which are not available in every country. For further information please check: home-connect.com.

Safety

Thermally insulated door with quadruple glazing.
Child lock.

Safety shut-off.

Cooled housing with temperature protection.

Cleaning

Pyrolysis system.

Gaggenua enamel.

Heated catalyzer to clean the oven air.

Planning notes

Door hinge not reversible.

The front of the appliance extends 1 7/8" from the cabinet front.

Consider the overhang when planning to open drawers next to the appliance.

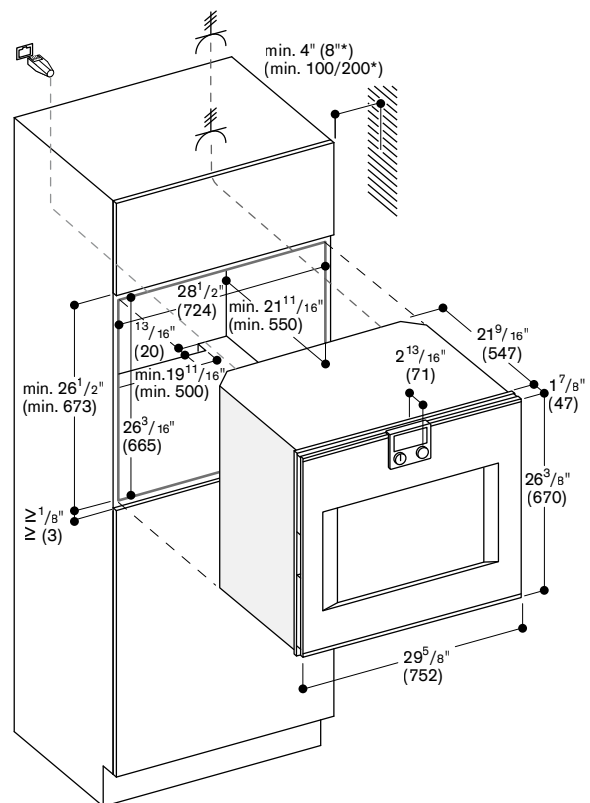
When planning a corner solution, pay attention to the 90° door opening angle.

Plan a gap of at least 3/16" between the appliance and adjacent cabinets.

To achieve the 21 5/8" installation depth, the connecting cable needs to follow the slanted edge on the lower right hand corner of the housing.

Locate electrical box in cabinet above unit.

The LAN port can be found at the back on the upper right side.



* 8" (200 mm) in conjunction with BA 018

Numbers indicated
inside parenthesis () = mm

www.gaggenua.com



AL 400 721

Stainless steel
Width 47 1/4" (120 cm)
Air extraction with 2x 400 series AR400742 inline/AR401742 remote blowers.
Air recirculation operation with 2x AR410710 blowers.
Comes without blower.

AL 400 791

Stainless steel
Width 36" (90 cm)
Air extraction with 400 series AR400742 inline/AR401742 remote blowers.
Air recirculation operation with AR413722 blower.
Comes without blower.

Required installation accessories

AD 754 045

Connection piece to 2x 6" round ducts
Fitting AL 400, front or back side.

or

AD 854 043

Connecting pieces for 2 flat ducts
DN 150, set of two
Fitting AL 400, bottom side.

Installation accessories

AA 010 410

Air exhaust grill recirculation
Stainless steel colored, 36", including installation fittings, height adjustable.

AA 409 401

Cabinet support 33 7/8" for 36" AL 400 downdraft.
Can be combined with retractable downdraft AL 400.
Recommended as bearer for the countertop, instead of a cabinet frame.

AA 409 431

Cabinet support 47 7/16" for 46 5/8" AL 400 downdraft.
Can be combined with retractable downdraft AL 400.
Recommended as bearer for the countertop, instead of a cabinet frame.

AD 704 048

Transition box with two ø 6" round intakes to one ø 8" round outlet.
Required for installation with AL 400 retractable downdraft to connect 2x round ducts to AR413722 blower (see example 1 and 4 on pages 158–159.)

AD 704 049

Air collector box DN 150 flat duct 2x DN 150 flat duct air intake.
To connect 1x AL 400 to blower AR 413 bottom side. (see examples on pages 160–162).

Retractable downdraft ventilation AL 400

- Downdraft for combination with all Gaggenau cooktops, when not in use can be completely lowered into the countertop
- Dimmable, neutral white surface LED light for ideal illumination of the cooktop
- Precision-crafted 3mm stainless steel
- For surface mounting with a visible edge or for flush mounting
- Comes without blower, can be combined with Gaggenau extraction or recirculation blowers

Output

For information on maximum air output in combination with blowers refer to the remote blower table on pages 206–207.
Noise level depends on the built-in situation.

Features

3 electronically controlled output levels and 1 intensive mode.
Interval ventilation, 6 min.
Run-on function, 6 min.
Grease filter saturation indicator.
Cartridge-type filter, dishwasher-safe.
Neutral white surface LED light (3600 K), continuously dimmable.
Lamp output 4x 5 W.
Illuminance 191 lx.
Spare covers for closing air outlets.

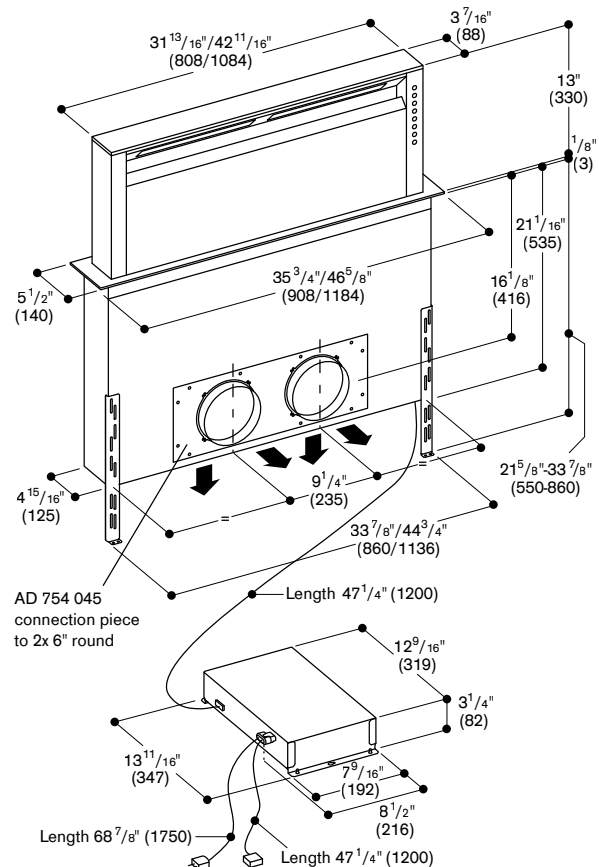
Planning notes

Refer to the table on page 202 for the matching blowers for air recirculation or air extraction mode.
Secure the control unit to the side panel of the cabinet, not to the base of the cabinet or the kitchen floor.
Connection to the respective appliances via network cable.
AL 400 721/AL 400 791
For operation with 4/3 Vario 200 series cooktops, 3/2 Vario 400 series cooktops or a cooktop configuration of up to 47 1/4" (120 cm)/(36 1/4" (92 cm) wide.
Operation of Vario cooking appliances is only possible without appliance cover.
Max. output of cooktops 61,400 BTU (18,000 W).
In combination with the cooktop CI 292, installation in 24" (60 cm) deep countertop is possible.
Installation is possible in countertops made of stone, synthetics or solid wood. Heat resistance and watertight sealing of the cut edges must be observed.
Concerning other materials please consult the countertop manufacturer.
The remaining surface of the countertop 2" min. (50 mm) between the cut-outs must be reinforced with a support. It is recommended to use cabinet support AA 409 401/431.
Ovens that do not exceed the maximum allowed cabinet temperature can be combined with the retractable downdraft if built-in situation permits.
To avoid smoke when frying/grilling refer to the manuals of VR/VP.

Please read additional planning notes on pages 158 – 162.

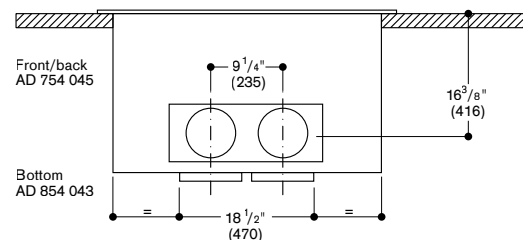
Rating

Total Amps: 10 A.
120 V / 60 Hz
Connecting cable 60" with plug.
Network cable 47" (1.2 m).

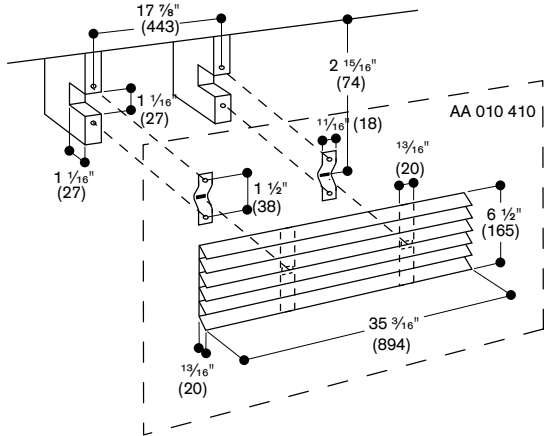


AD 754 045 connection piece to 2x 6" round duct connection 2 x ø 6" front/back Round duct connection piece with AD 754 045

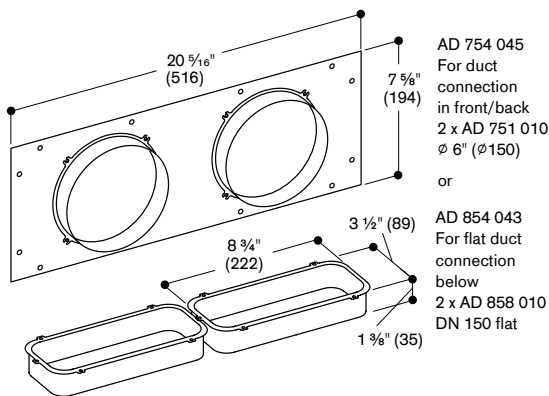
AL 400 connection positions ø 6" or flat duct DN 150



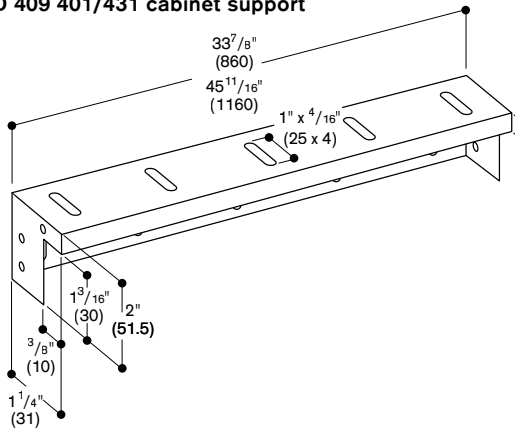
AA 010 410 air exhaust grill



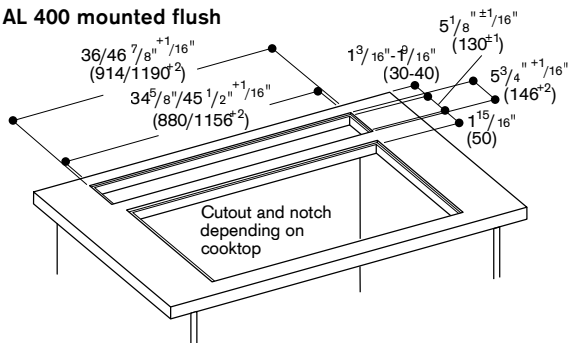
AD 754 045 and AD 854 043



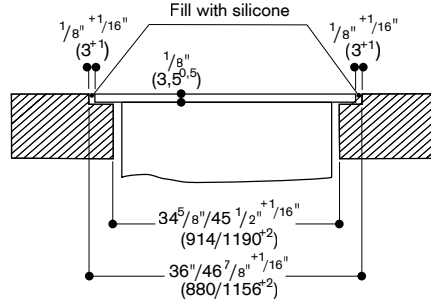
AD 409 401/431 cabinet support



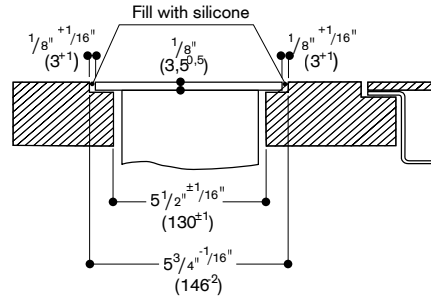
AL 400 mounted flush



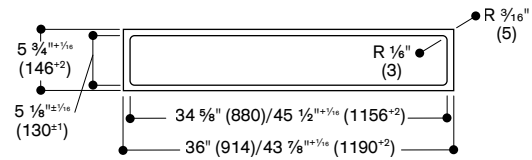
Longitudinal section



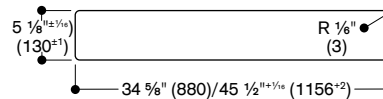
Cross-section



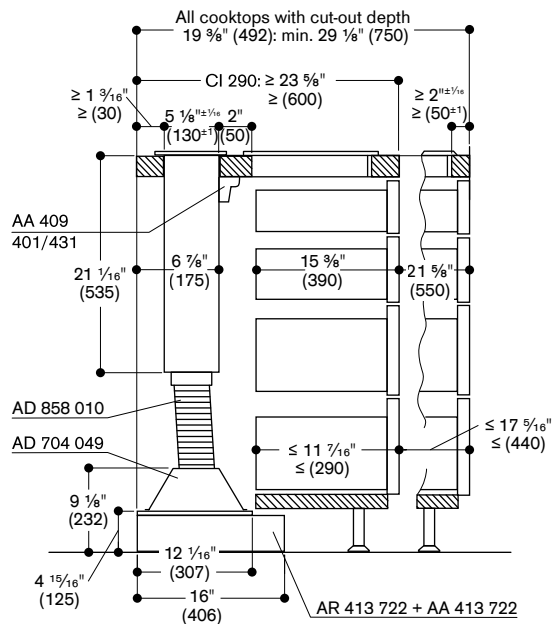
AL 400 cut-out flush mounted



AL 400 cut-out for surface mounting



Cross-section of lower cabinet for AL 400 (without back wall) with AR 413; connection at the bottom





AR 400 742
Metal housing
600 CFM
Air extraction
Inside installation

400 series inline blower AR 400

- Powerful blower to combine with 400 series ventilation systems such as AL 400 retractable downdraft, VL 414 downdraft and AW/AI 442 professional wall/island hood.
- Quiet blower with high-efficiency BLDC technology.

Output

3 performance output levels and intensive mode.
Sound power and sound pressure depending on built-in situation.
Air extraction: 600 CFM.
Power levels depend on the ventilation system.

Features

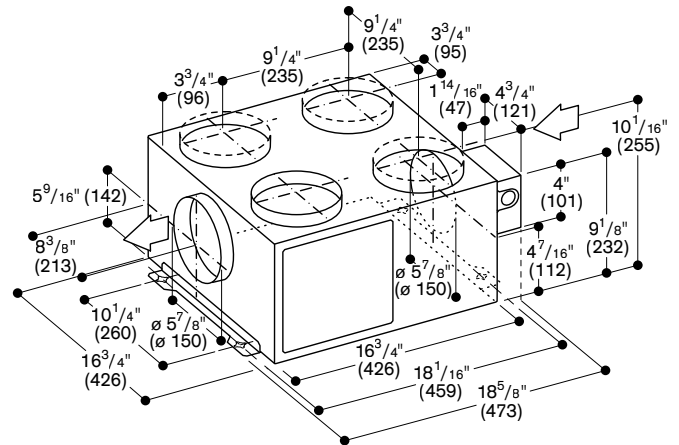
3 electronically controlled power levels and 1 intensive mode.
Blower technology with highly efficient, brushless DC motor (BLDC).
Metal housing, zinc-plated.
Duct connection pieces on air intake side: 1x $\varnothing 6''$ round, 4x $\varnothing 6''$ round.
Duct connection piece on output side: 1x $\varnothing 6''$ round.
Spare cover for closing an air intake is included.
Retaining bracket for ceiling installation or installation on the inner side of a cabinetry is included.

Planning notes

AR400742 inline blower can only be combined with 400 series ventilation systems such as AL 400 retractable downdraft, VL 414 downdraft and AW/AI 442 professional wall/island hood.
Connection to the respective appliances via network cable.
Installation in the base cabinet: possible in areas with two cabinet drawers or on the floor with a cut-out in the base cabinet. Panel-free toe-kick possible.
Installation in a separate room, attic or crawl space allows for a reduced noise level in the kitchen.

Rating

Total rating: 210 W.
Total Amps: 2 A.
120 V / 60 Hz
Connecting cable not included. Hard wire required.
16' network cable included.



5x $\varnothing 6''$ ($\varnothing 150$)
2 connecting pieces included

SCN60 – 60 lb Nugget Ice Machine

Brilliance[®] Under-Counter Nugget Ice Machine



model shown is SCN60PA-15S

Features

15" cabinet width, produces over 80 lbs. of nugget ice in 24 hours. Stores up to 26 lbs.

Nugget ice is made from bits of compacted ice that are soft, chewable and absorb the flavor of the beverage.

Uses 40% less energy and more than 50% less water than stand-alone, dedicated ice machines.

Designed with sleek new styling and virtually disappears when installed with a custom wood front that matches surrounding cabinetry. Finish options to choose from include, stainless, black or white front panel kits if a custom wood front panel is not used. A kit is available to adapt an existing custom wood front panel on the new ice machine.

Outdoor approved.

Lighted bin and self-closing door.

User-friendly control panel informs whether power is on, alerts a no-water condition, and a time to clean reminder.

Available with built-in drain pump.

24 Hour Ice Production & Storage Capacity

70°F/21°C Air 50°F/10°C Water lb / kg	90°F/32°C Air 70°F/21°C Water lb / kg	Bin Storage Capacity lb / kg
85 / 39	60 / 27	26 / 12



Control Board



Scoop



Nugget Ice

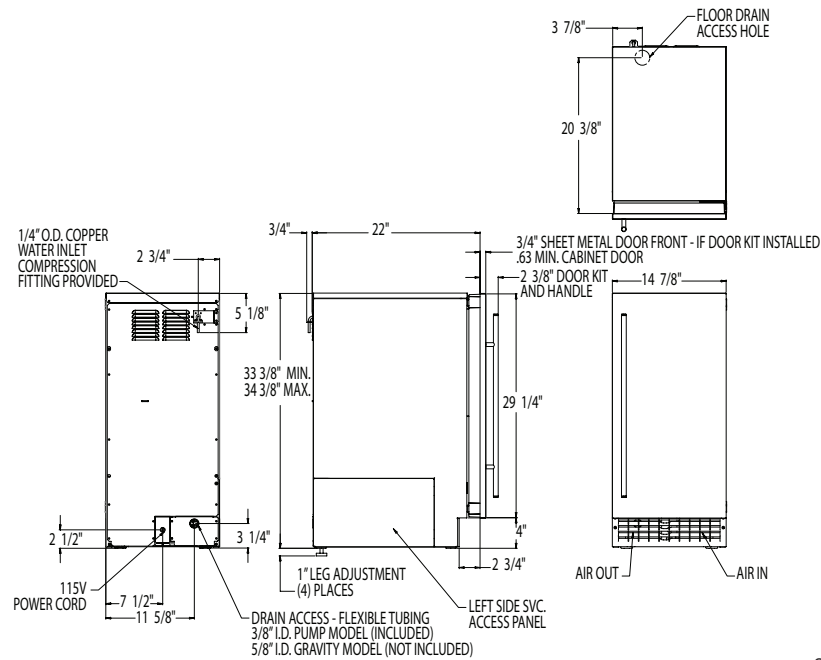


The Original Chewable Ice™.
Soft ice ideal for beverages
and blended drinks.

Warranty

- 1 years parts and labor on all components.
- 5 years parts on the compressor only.

Warranty valid in North America.



Supply Hose Not Included

All Models

24 Hour Ice Production:
 (70 deg. Air/50 deg. Water)
 85 lb / 39 kg

(90 deg. Air / 70 Deg. Water)
 60 lb / 27 kg

Bin Storage Capacity:
 26 lb / 12 kg

Condenser Type:
 Air

Basic Electrical:
 (Volts/Hz/Phase)
 115/60/1

Amps:
 5

Refrigerant:
 R-134A

Dimensions (W x D x H):
 Unit (without legs adjusted):
 14.875" x 22.75" x 33.375"
 (37.8 x 57.8 x 84.78 cm)

Shipping Carton:
 18" x 28" x 38"
 (45.7 x 71.1 x 96.5 cm)

Specifications

Model	Finish Cabinet / Front	Drain Type	Shipping Weight lb / kg
SCN60GA-1SU	Stainless Steel / Unfinished	Gravity	124 / 56
SCN60GA-1SS	Stainless Steel / Stainless Steel	Gravity	133 / 60
SCN60PA-1SU	Stainless Steel / Unfinished	Pump	129 / 59
SCN60PA-1SS	Stainless Steel / Stainless Steel	Pump	135 / 61

SCNG: Gravity flow drain tube
 SCNP: Built-in pump to expel drain water which includes 10' drain tube

Accessories

Model	Description	Shipping Weight lb / kg
KDFB	Black door front kit	12 / 5.5
KDFW	White door front kit	12 / 5.5
KDFS	Stainless Steel door front kit	12 / 5.5
KDFWS	White front with Stainless Steel handle kit	12 / 5.5
KDFBS	Black front with Stainless Steel handle kit	12 / 5.5
KKPF	Kick plate filler kit	1 / 0.45
KATB	Anti-tip bracket kit	2 / 0.9
KDFR	Retro-fit door front kit	8 / 3.6

Operating Requirements

	Minimum	Maximum
Air Temperatures	50°F (10°C)	100°F (38°C)
Water Temperatures	40°F (4.4°C)	90°F (38°C)
Water Pressures	20 PSIG (1 bar)	80 PSIG (5 bar)
Electrical Voltage	-10%	+10%

Machine requires voltage indicated on rating name plate. Failures caused by improper voltage are not considered factory defects. Scotsman products, except model SCG50MA-1SS & SCCP5050MA-1SS, are not designed for outdoor installations nor for installation where air temperatures fall below 50°F. or exceed 100°F., nor where water temperatures fall below 40°F. or exceed 100°F. Extended periods of operation at temperatures exceeding these limitations constitute misuse under the terms of Scotsman Manufacturer's Limited Warranty, resulting in a loss of warranty coverage. Refer to owner's manual for all installation requirements. Please note: when installed in a corner, the door swing may be limited due to handle contact with the wall or cabinet face.



Instructions: Custom Panel for models SCC30, SCC50 and SCN60

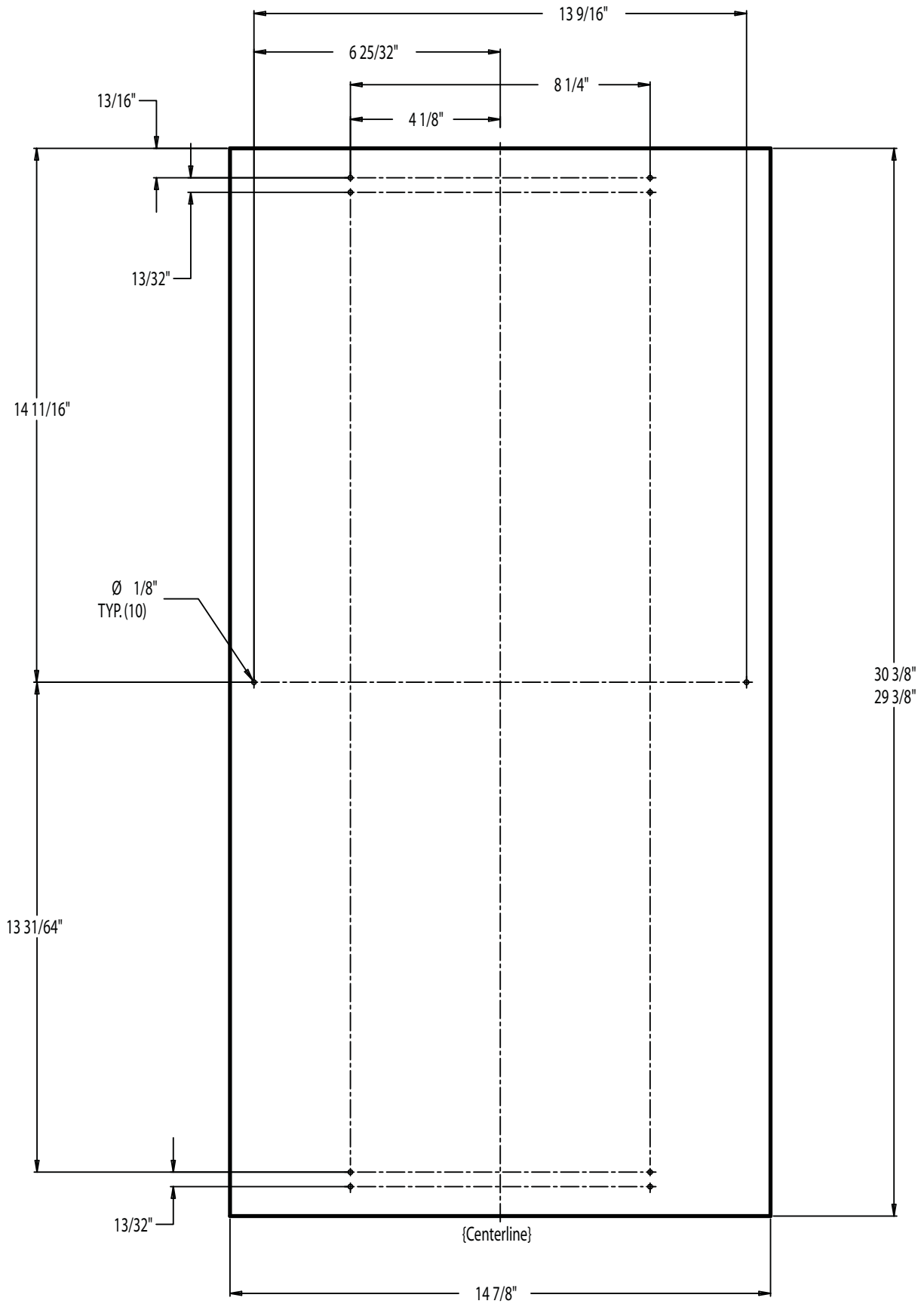
A custom panel of wood or other material not exceeding 15 lb can be attached to the door. Attachment is from the ice side of the door. Holes are provided in the door for this purpose.

To create and attach a custom panel:

- Panel width: 14 7/8"
- Panel height: Between 29 3/8" and 30 3/8".
- Panel thickness: 5/8" to 3/4"

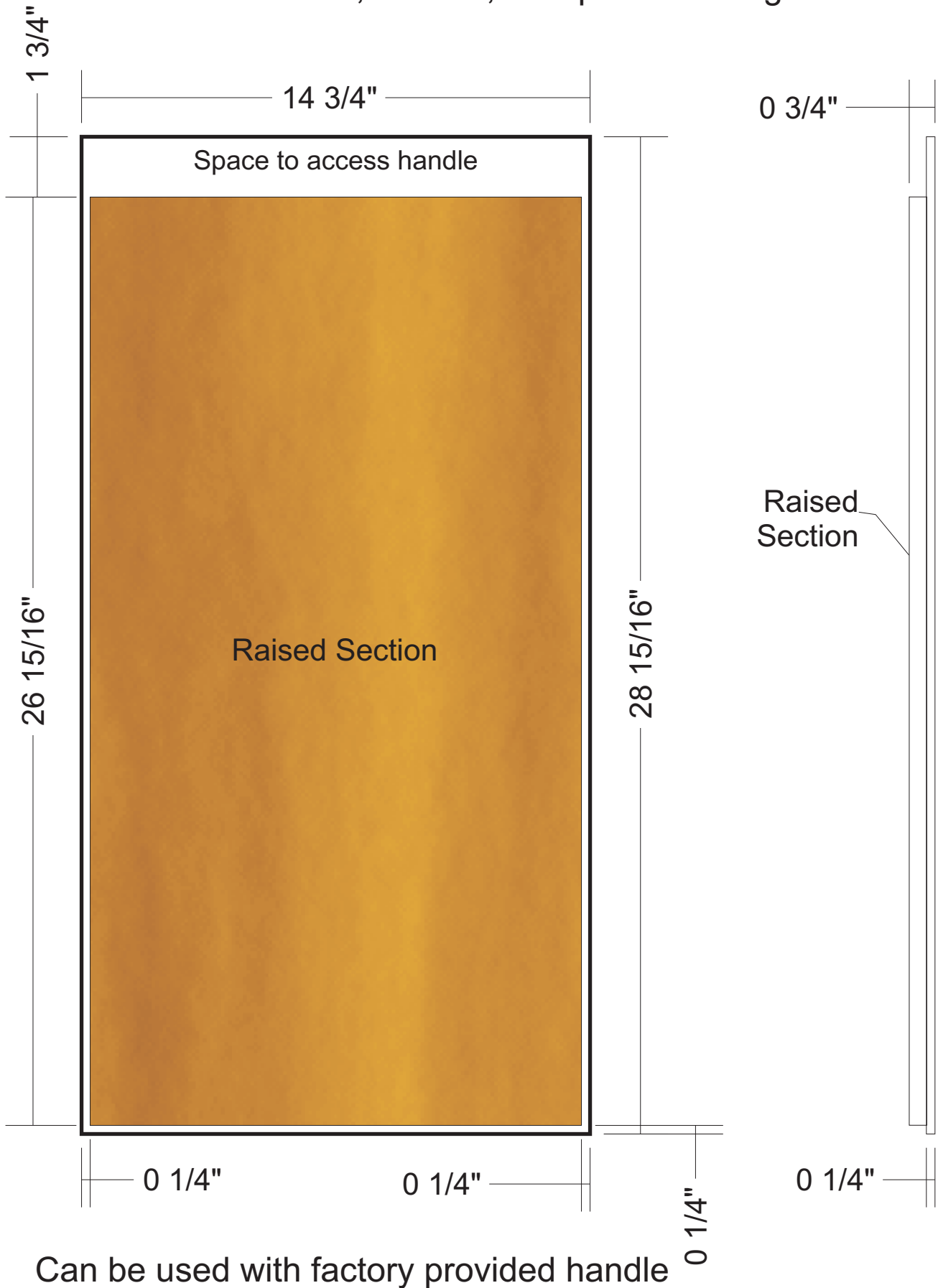
1. Measure overall height of cabinet opening where ice machine will be (floor to bottom of countertop edge).
2. Determine desired kickplate space (from bottom of door to floor). This could be equal to the adjacent cabinet's kickplate space or another space the user wants.
3. Subtract kickplate space from cabinet opening.
4. Subtract 1/8 or more for clearance space between top of door and bottom of countertop edge from cabinet opening. This is the maximum door length.
5. Cut panel to width.
6. Cut panel to length (cabinet space - kickplate space - top clearance = length).
7. Determine top of panel.
8. Mark hole locations using drawing on the back of these instructions. Drawing assumes top of panel will be flush with top of door. Measure hole locations from the top of the panel.
9. Drill pilot holes for wood screws. Use drill stop to prevent drilling through the panel.
10. Mount panel to door using wood screws or supplied panel mounting screws.

Note: When installed Ice machine must be adjusted for height to position top of door to desired clearance.



Custom Door Panel Dimensions

Scotsman DC33, DCE33, Companion Refrigerator



Can be used with factory provided handle

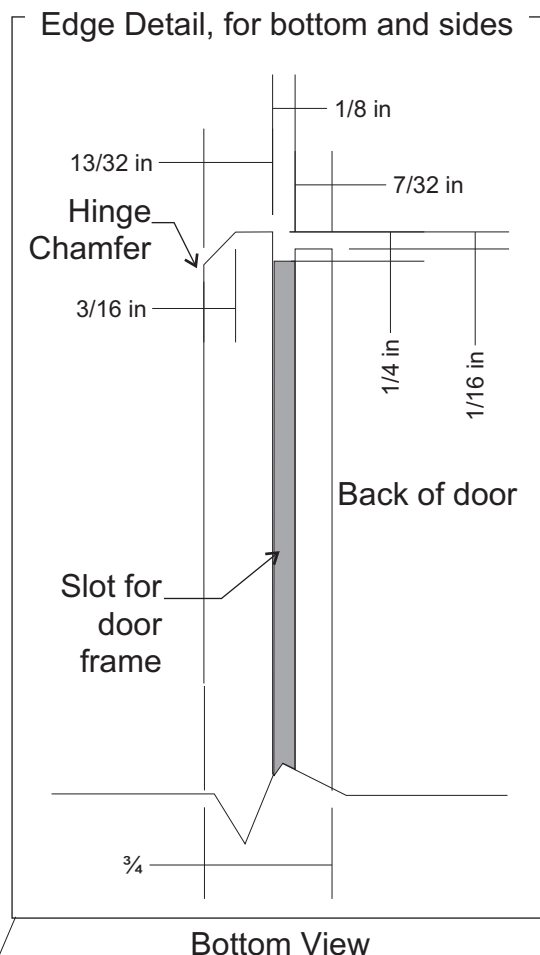
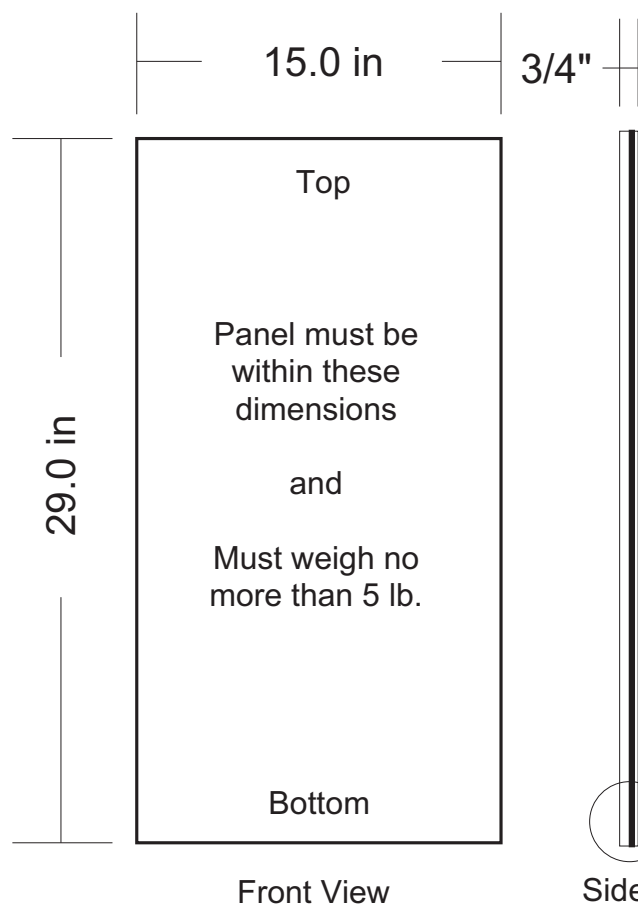
Scotsman Custom Overlay Panel Spec

Use to make a drop in door panel that covers the door and the front of its aluminum edge. Add the KHAND to cover the top edge and a cabinet pull that matches the pulls at the installation to better blend in with the existing cabinetry.

Cut the filler panel to the dimensions shown. Apply the edge detail to the bottom, left and right sides.

The following directions are for a 3/4" x 15"w x 29"h panel door blank:

1. From the back side of the door cut a 1/16"w x 11/32" h rabbet on both sides and the bottom edge of the panel.
2. Set the saw blade to 1/4" height and cut groove in the edge of the door 7/32 from the back of the door.
3. On the hinge side of the door cut a 45 degree chamfer on the top with either a saw or a router.



Custom Cabinet Door Insert for Models DCE33 or Companion Refrigerator (Black or White Only)

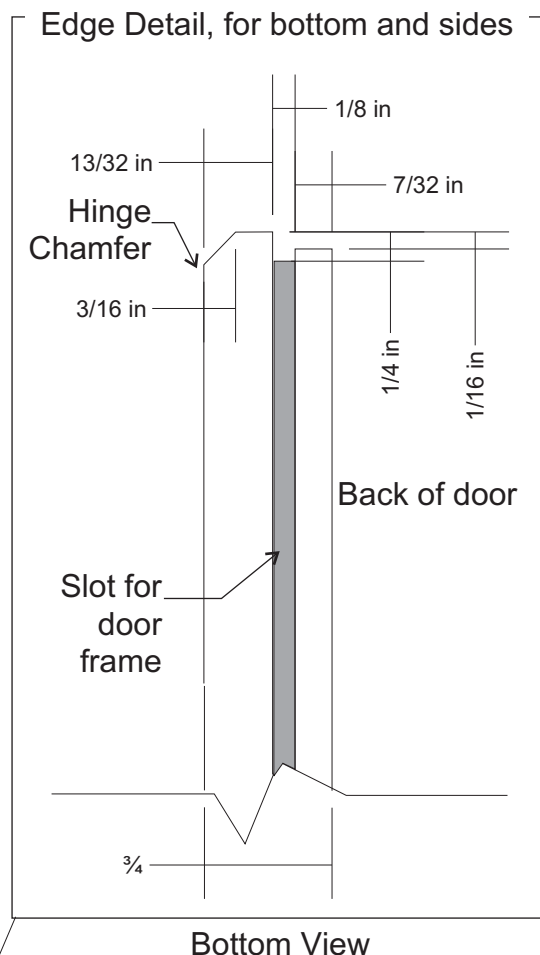
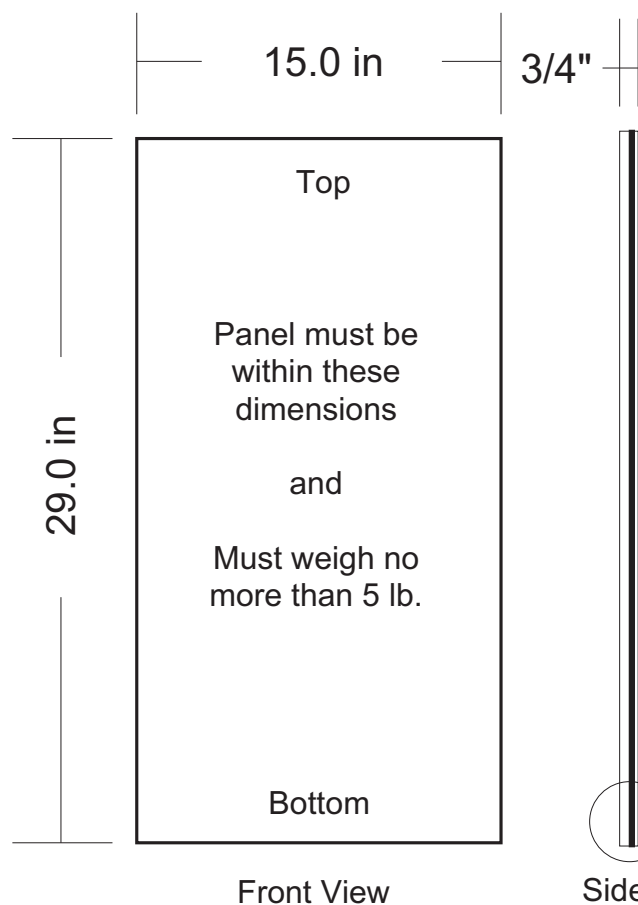
Scotsman Custom Overlay Panel Spec

Use to make a drop in door panel that covers the door and the front of its aluminum edge. Add the KHAND to cover the top edge and a cabinet pull that matches the pulls at the installation to better blend in with the existing cabinetry.

Cut the filler panel to the dimensions shown. Apply the edge detail to the bottom, left and right sides.

The following directions are for a 3/4" x 15"w x 29"h panel door blank:

1. From the back side of the door cut a 1/16"w x 11/32" h rabbet on both sides and the bottom edge of the panel.
2. Set the saw blade to 1/4" height and cut groove in the edge of the door 7/32 from the back of the door.
3. On the hinge side of the door cut a 45 degree chamfer on the top with either a saw or a router.



Custom Cabinet Door Insert for Models DCE33 or Companion Refrigerator (Black or White Only)