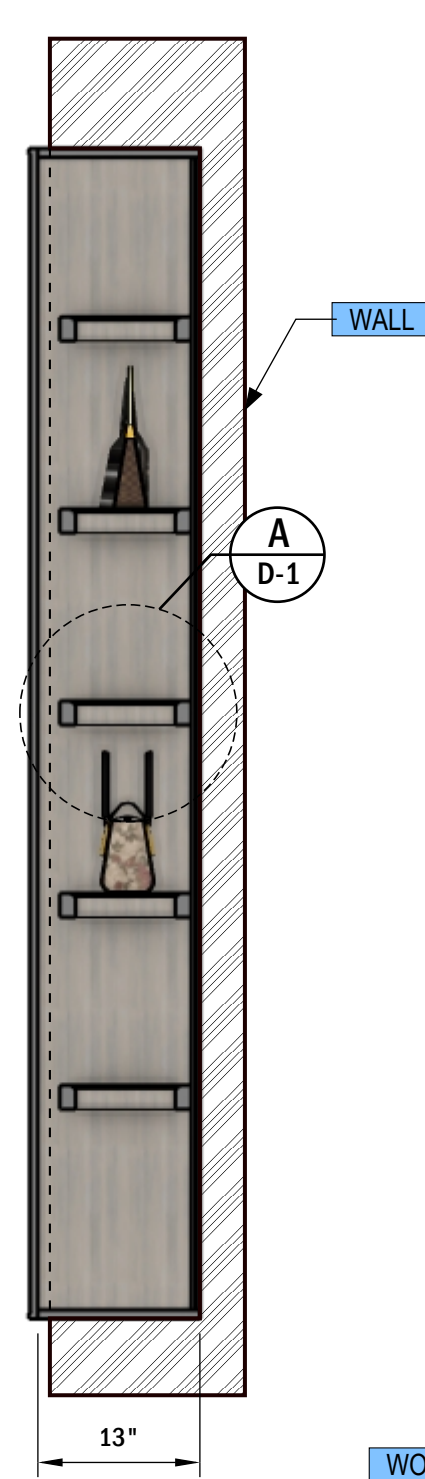


**FRONT VIEW**  
Scale 1:16

SHELVES  
(5 REQ'D)



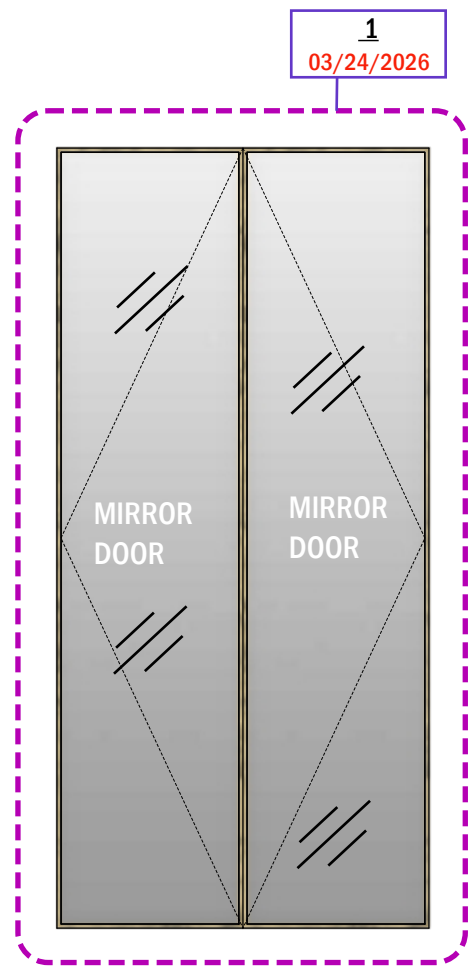
**SECTION A**  
Scale 1:16

WALL

A  
D-1

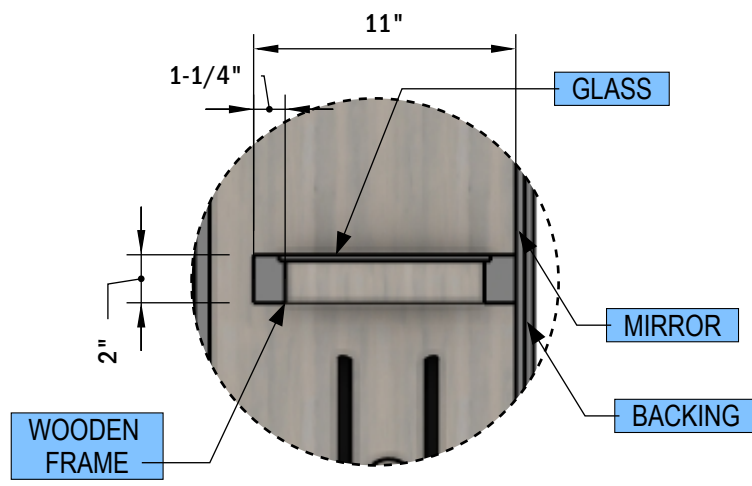
REVISED VERSION (A)  
03/24/2026

1  
INSTALL MIRROR DOORS



**FRONT VIEW**  
Scale 1:24

1  
03/24/2026



**DETAIL A**  
Scale 1:00

WOODEN  
FRAME

GLASS

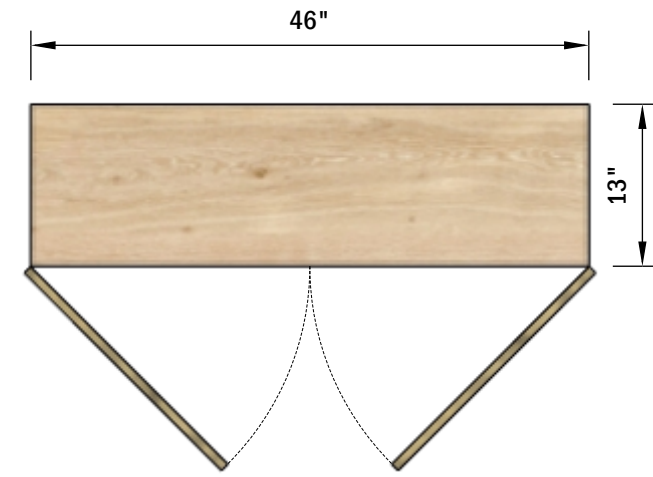
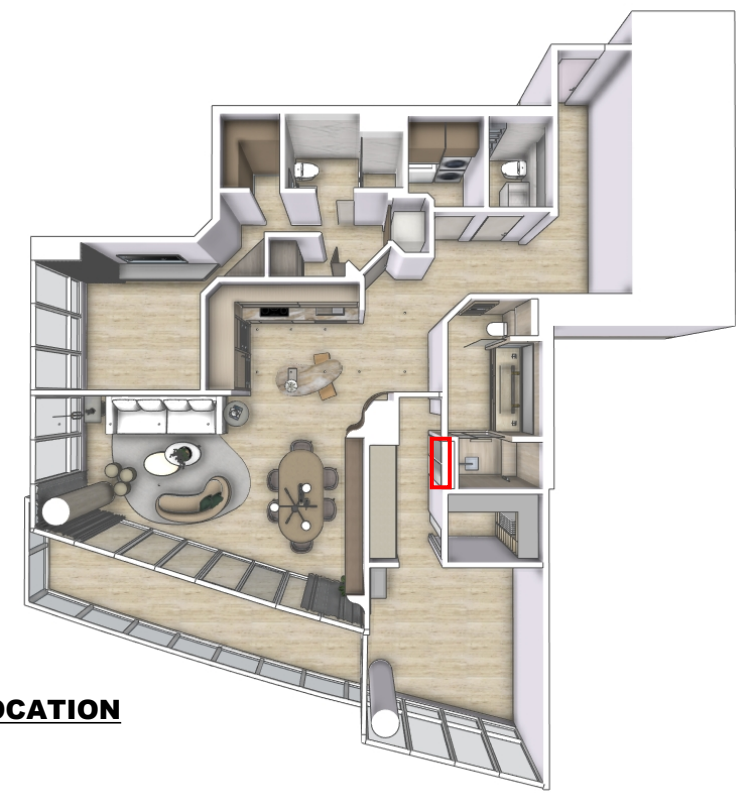
MIRROR

BACKING

SHELF



LOCATION



**TOP VIEW**  
Scale 1:16

**NOTE:**  
Rendered accessories are for visualization only and not included in Westhaven Construction's scope.

**PERSPECTIVE VIEW**  
Not Scaled



THIS PROJECT  
HAS BEEN  
**APPROVED**

**C.LAUNDRER**  
OWNER  
DATE:  
**March 24, 2026**  
© 2026 WHCN

REVISED VERSION

ISSUE  
September 17, 2025  
RE - ISSUE  
March 24, 2026

2104 CONTINUUM SOUTH  
0000 Fl., 33000  
DESIGN BY  
J. Alonso  
OWNER  
MAS  
DRAWN BY  
A. Quintero  
PAGE NAME  
COVER

**DESIGN CONCEPT**

ALL MEASUREMENTS  
MUST BE  
VERIFIED IN FIELD

DISCARD ALL DRAWINGS THAT  
WERE MADE ON THIS ITEM PRIOR  
TO THE DATE BELOW:

**March 24, 2026**

This drawing is not intended to be used  
for contract pricing or fabrication  
purposes.  
All content is subject to change

**D-1**

BAG SHELVES