

3507 CONTINUUM SOUTH

KITCHEN CABINETS & ISLAND

Sheet #	Sheet Name
00	Cover Page
Sheet A1	CABINETS
Sheet A2	ISLAND
Sheet A3	TABLE
Sheet A4	COFFEE STATION



PROGRESS DRAWING

This presentation is not intended to be used for contract pricing or fabrication purposes. All content is subject to change.

DISCARD ALL PRESENTATIONS THAT WERE MADE ON THIS ITEM PRIOR TO THE DATE BELOW:

07/14/2022

NOTES

The drawings included in presentations may not be scaled. The numerical dimensions represent correct measurements. All dimensions are given from finished floor and finished wall unless otherwise noted. All design ideas, drawings and plans represented here are owned by the property of **WESTHAVEN CONSTRUCTION SERVICES**. Above suggested electrical and plumbing locations, must be verified in field.

PROJECT

**3507
CONTINUUM SOUTH**

PAGE NAME

Cover Page

DESIGN BY

J. ALONSO

DRAWING BY

A. QUINTERO

CREATED

04/ 22/ 2022

MODIFIED

07/14/2022

CLIENT

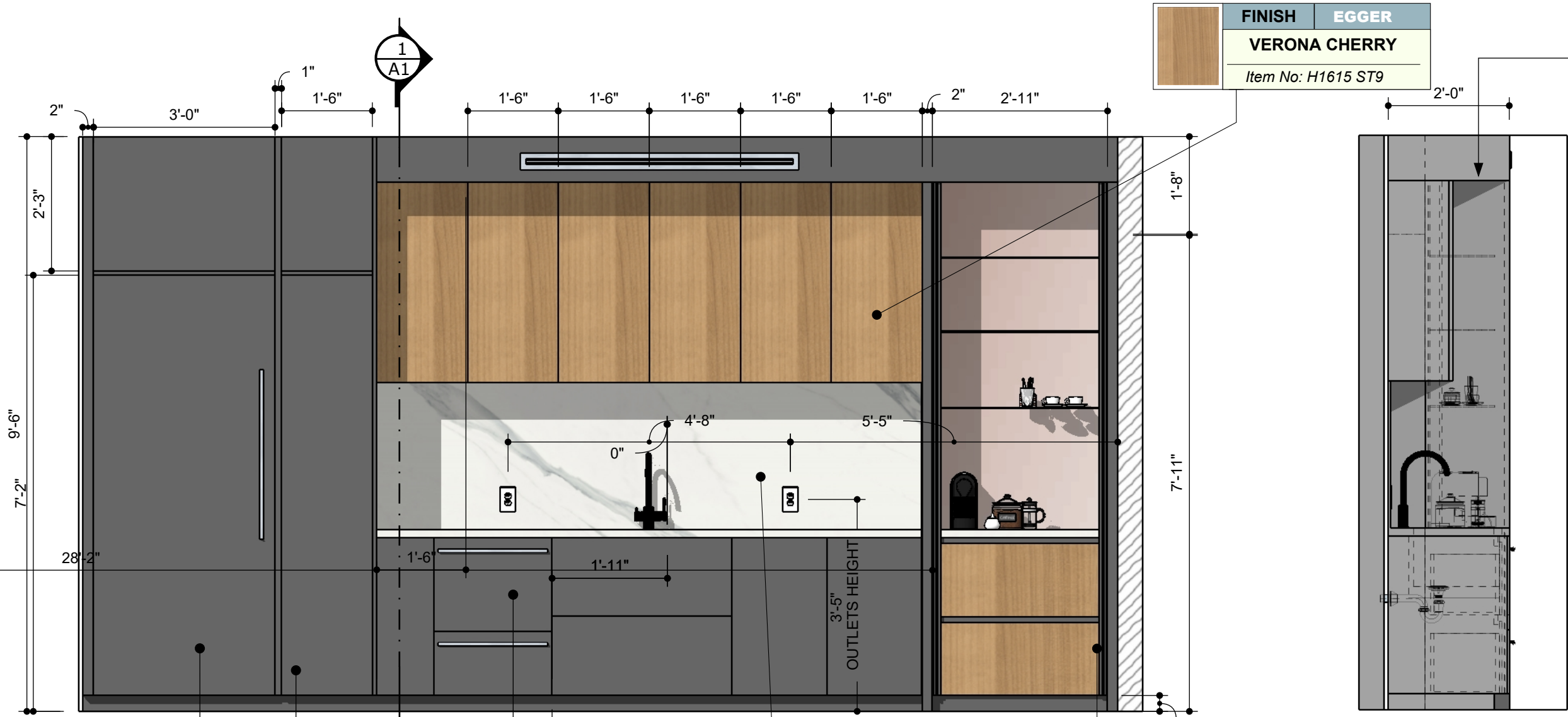
JOHN NELSON

ADDRESS

0000
FI, 33000



8254 NW SOUTH RIVER DRIVE, MEDLEY, FL 33166
All rights reserved.



36" REFRIGERATOR

36" Designer Column Refrigerator - Panel Ready
Model # DEC3050FI

18" REFRIGERATOR

18" Designer Column - Panel Ready
Model # DEC1850FI

DISHDRAWER

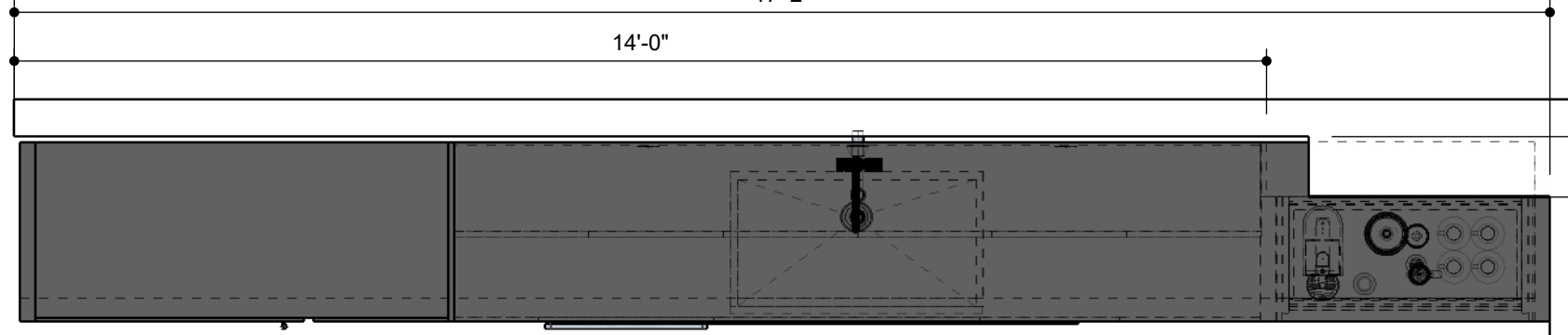
14 Place Settings, Panel Ready
Model # DD24DHT19_N

FRONT VIEW

Scale 1:24

17'-2"

14'-0"

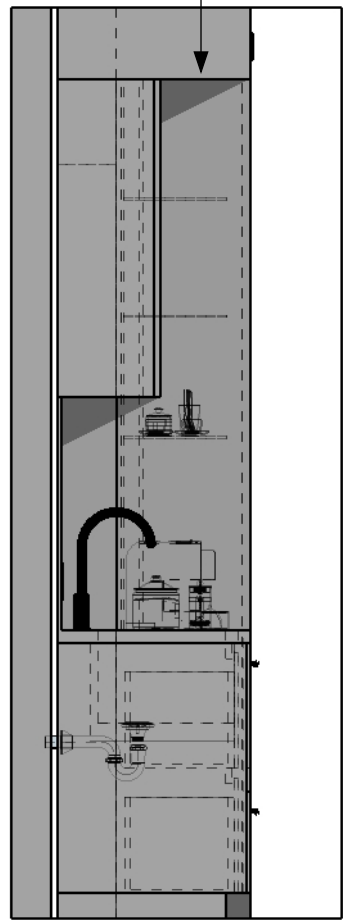


TOP VIEW

Scale 1:24

FINISH	EGGER
VERONA CHERRY	
Item No: H1615 ST9	

SOFFIT



SIDE VIEW

Scale 1:24

FINISH	Iberia Tiles
ISLIMM TOUCHE SUPER BLANCO GRIS	
59" X 126" X 1/2"	

FINISH	EGGER
DIAMOND GRAY	
Item No: U963 ST9	

ISLIMM TOUCHE SUPER BLANCO GRIS

COUNTERTOP & BACKSPLASH : 40 ft²
ISLAND: 70 ft²

Tiles Needed: 3 Pieces

Purchase 5% - 10% more (3 - 3 tiles) for cutting, waste, and possible future repairs.

Tile Size: Length	126	inches	▼
Width	56	inches	▼
Area to Cover:	<input type="radio"/> Use Dimensions <input checked="" type="radio"/> Use Total Area		
Total Area	110	square feet	▼

PROGRESS DRAWING

ALL MEASUREMENTS MUST BE VERIFIED IN FIELD
This drawing is not intended to be used for contract pricing or fabrication purposes. All content is subject to change.

DISCARD ALL DRAWINGS THAT WERE MADE ON THIS ITEM PRIOR TO THE DATE BELOW:

07/14/2022

NOTES

Drawings may not be scaled. The numerical dimensions represent correct measurements. All dimensions are given from finished floor and finished wall unless otherwise noted. All design ideas, drawings and plans represented here are owned by the property of **WESTHAVEN CONSTRUCTION SERVICES**. All rights reserved. Above suggested electrical and plumbing locations, must be verified in field.



WESTHAVEN
CONSTRUCTION SERVICES, INC.

CLIENT
JOHN NELSON
0000
FL, 33000

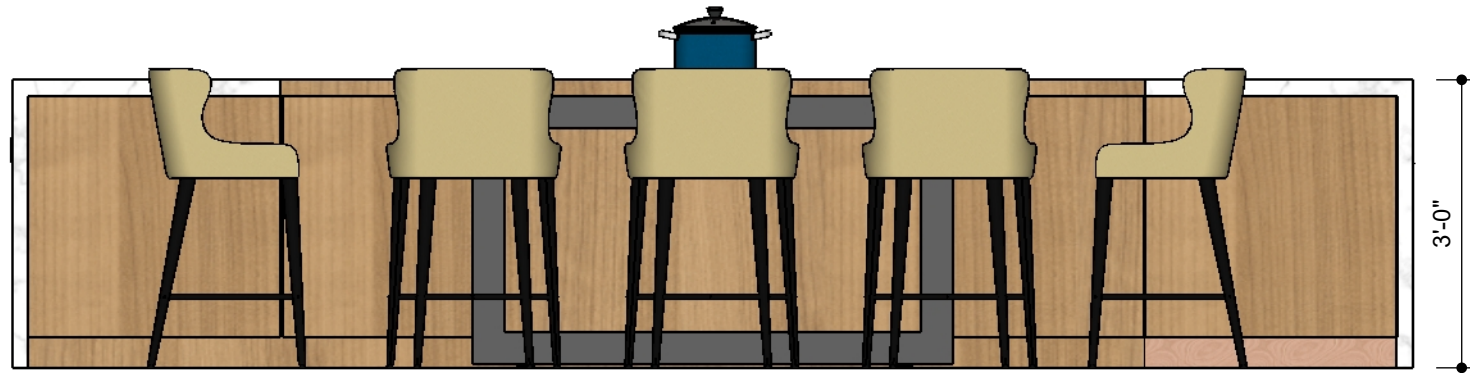
ISSUE
04/ 22/ 2022
RE - ISSUE
MM,DD,YY

DESIGN BY
Joel A.
DRAWN BY
Abel Q.

DESCRIPTION
KITCHEN CABINETS &
ISLAND
PAGE NAME
CABINETS

PROJECT No
3507
PROJECT NAME
CONTINUUM SOUTH

A-01



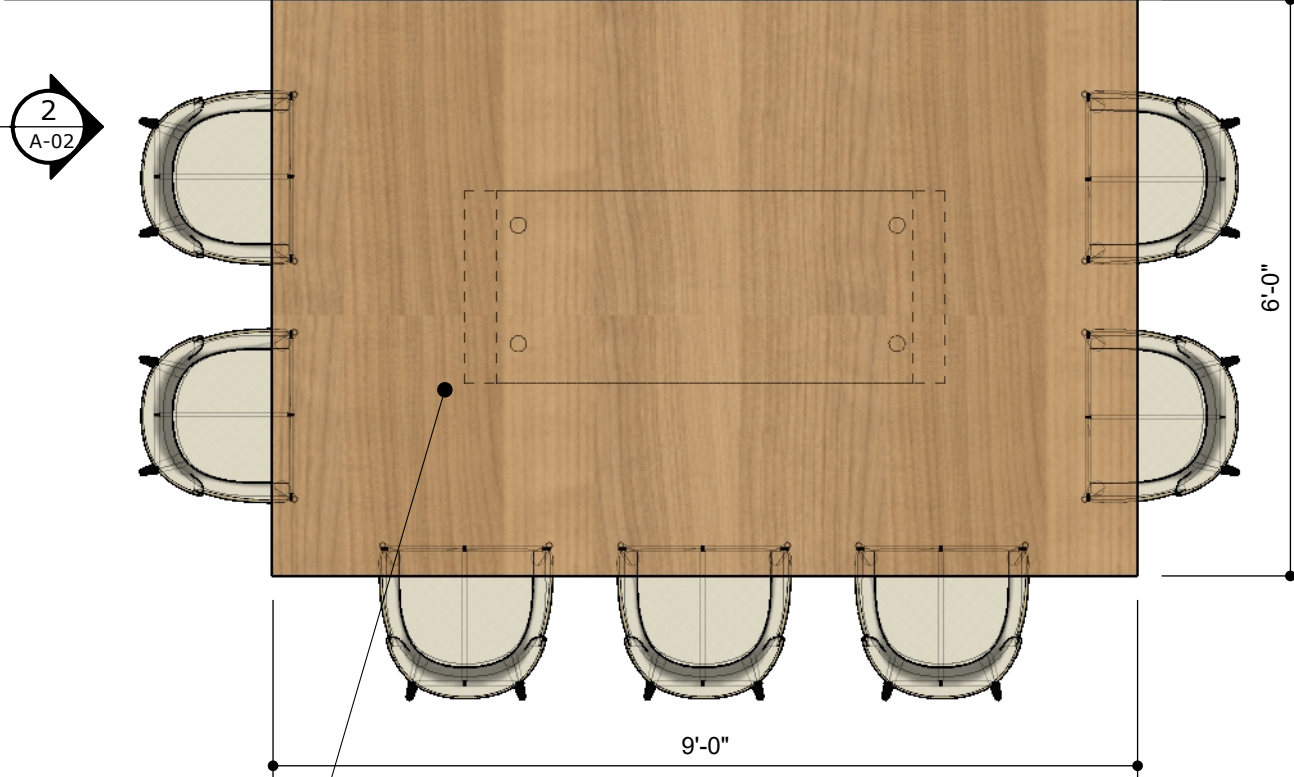
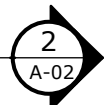
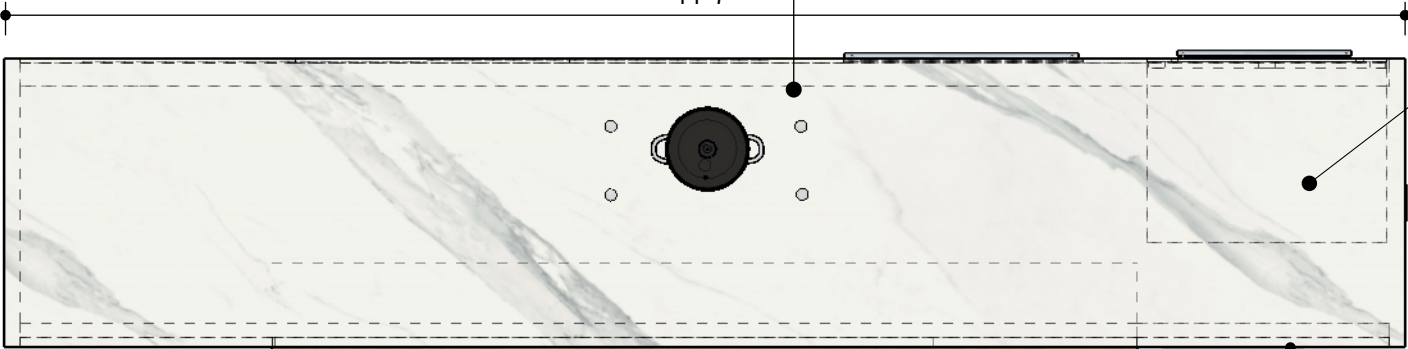
FRONT VIEW


Scale 1:24



14'-7"

INVISIBLE INDUCTION



	FINISH	EGGER
		VERONA CHERRY
		Item No: H1615 ST9

TOP VIEW

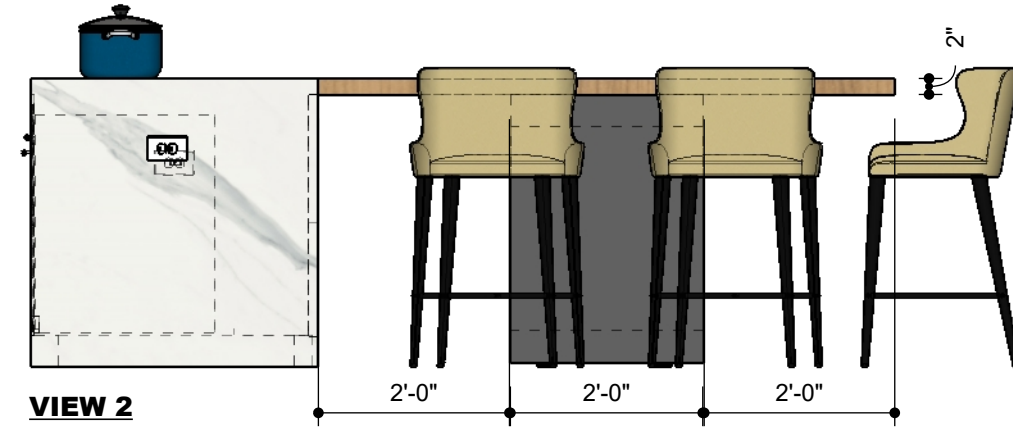
Scale 1:24



9'-0"

VIEW 3


Scale 1:24



VIEW 2

Scale 1:24

2'-0" 2'-0" 2'-0"

	FINISH	Iberia Tiles
		ISLIMM TOUCHE SUPER BLANCO GRIS
		59" X 126" X 1/2"

LABEL TEXT

30" M SERIES TRANSITIONAL BUILT-IN SINGLE OVEN. SO30TM/S/TH

LABEL TEXT

30" TRANSITIONAL DRAWER MICROWAVE MD30TE/S

(4) DRAWERS
Finger pull System

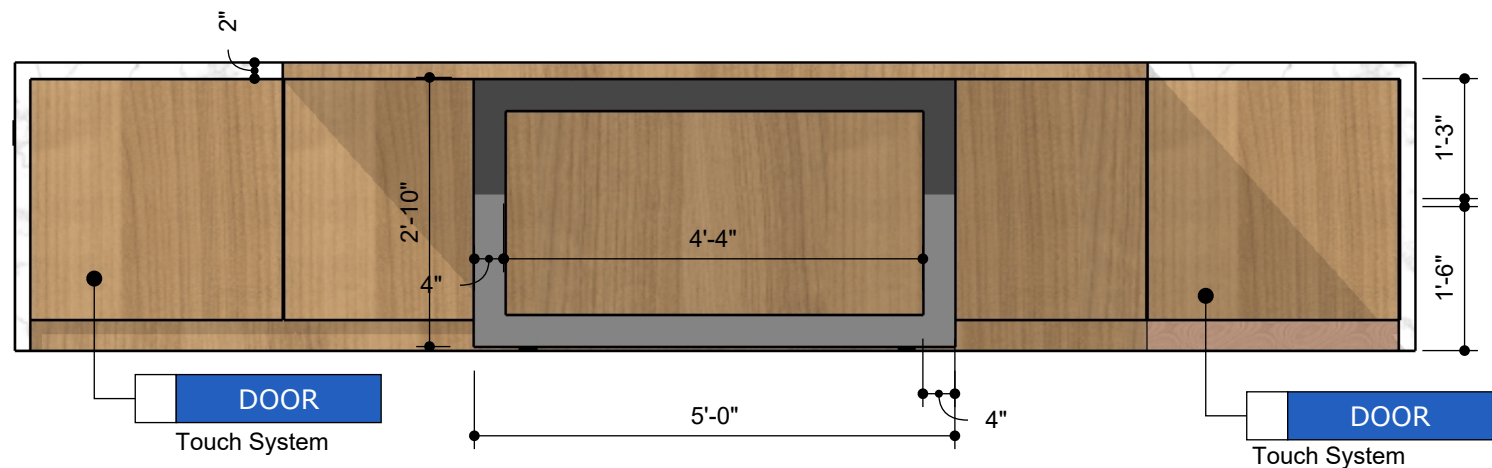


TOUCH SYSTEM

FINGER PULL SYSTEM

VIEW 1

Scale 1:24



DOOR

Touch System

DOOR

Touch System

PROGRESS DRAWING

ALL MEASUREMENTS MUST BE VERIFIED IN FIELD

This drawing is not intended to be used for contract pricing or fabrication purposes. All content is subject to change.

DISCARD ALL DRAWINGS THAT WERE MADE ON THIS ITEM PRIOR TO THE DATE BELOW:

07/14/2022

NOTES

Drawings may not be scaled. The numerical dimensions represent correct measurements. All dimensions are given from finished floor and finished wall unless otherwise noted.

All design ideas, drawings and plans represented here are owned by the property of **WESTHAVEN CONSTRUCTION SERVICES.**

All rights reserved. Above suggested electrical and plumbing locations, must be verified in field.



WESTHAVEN
CONSTRUCTION SERVICES, INC.

CLIENT
JOHN NELSON
0000
FL, 33000


ISSUE
04/ 22/ 2022
RE - ISSUE
MM,DD,YY

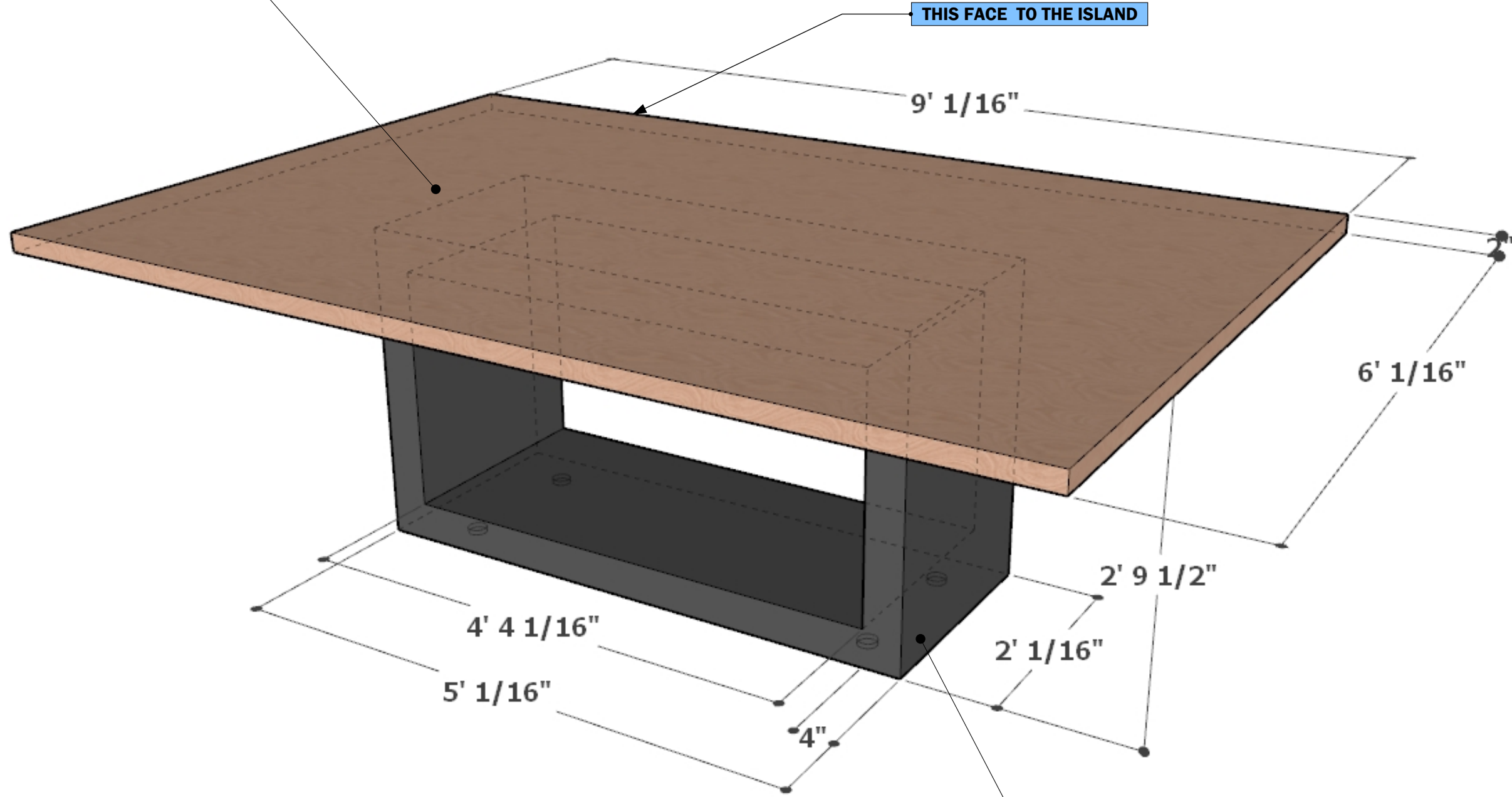
DESIGN BY
Joel A.
DRAWN BY
Abel Q.


DESCRIPTION
KITCHEN CABINETS &
ISLAND
PAGE NAME
ISLAND

PROJECT No
3507
PROJECT NAME
CONTINUUM SOUTH

A-02

	FINISH	EGGER
	VERONA CHERRY	
	Item No: H1615 ST9	



	FINISH	EGGER
	DIAMOND GRAY	
	Item No: U963 ST9	

PROGRESS DRAWING

ALL MEASUREMENTS MUST BE VERIFIED IN FIELD

This drawing is not intended to be used for contract pricing or fabrication purposes. All content is subject to change.

DISCARD ALL DRAWINGS THAT WERE MADE ON THIS ITEM PRIOR TO THE DATE BELOW:

07/14/2022

NOTES

Drawings may not be scaled. The numerical dimensions represent correct measurements. All dimensions are given from finished floor and finished wall unless otherwise noted. All design ideas, drawings and plans represented here are owned by the property of WESTHAVEN CONSTRUCTION SERVICES. All rights reserved. Above suggested electrical and plumbing locations, must be verified in field.



WESTHAVEN
CONSTRUCTION SERVICES, INC.

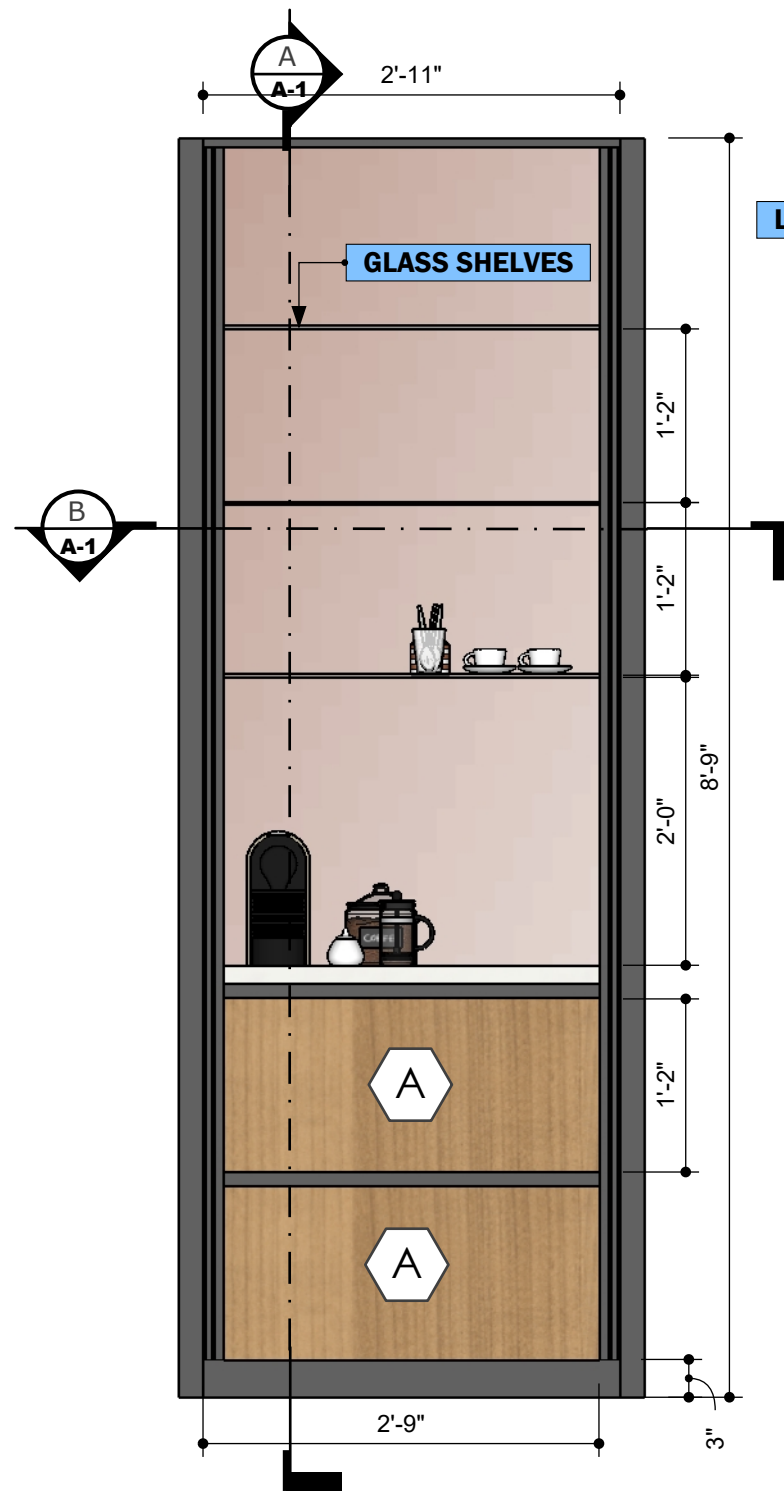
CLIENT
JOHN NELSON
0000
FL, 33000

ISSUE
04/ 22/ 2022
RE - ISSUE
MM,DD,YY

DESIGN BY
Joel A.
DRAWN BY
Abel Q.

DESCRIPTION
KITCHEN CABINETS &
ISLAND
PAGE NAME
TABLE

PROJECT No
3507
PROJECT NAME
CONTINUUM SOUTH



LED LINE

GLASS SHELVES

FINISH	SELLER
	BRONZE MIRROR
Item No:	

FINISH	Iberia Tiles
	ISLIMM TOUCHE SUPER BLANCO GRIS
59" X 126" X 1/2"	

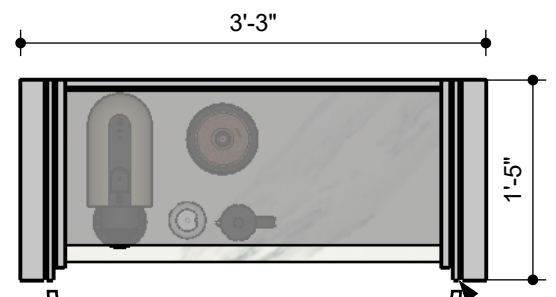
FINISH	EGGER
	DIAMOND GRAY
Item No: U963 ST9	



PERSPECTIVE VIEW
Not Scaled

RETRACTABLE DOORS

FINISH	EGGER
	VERONA CHERRY
Item No: H1615 ST9	



A DRAWERS

SECTION B
Scale 1:00

RETRACTABLE DOORS

SECTION A
Scale 1:00

PROGRESS DRAWING

ALL MEASUREMENTS MUST BE VERIFIED IN FIELD

This drawing is not intended to be used for contract pricing or fabrication purposes. All content is subject to change.

DISCARD ALL DRAWINGS THAT WERE MADE ON THIS ITEM PRIOR TO THE DATE BELOW:

07/14/2022

NOTES

Drawings may not be scaled. The numerical dimensions represent correct measurements. All dimensions are given from finished floor and finished wall unless otherwise noted. All design ideas, drawings and plans represented here are owned by the property of **WESTHAVEN CONSTRUCTION SERVICES**. All rights reserved. Above suggested electrical and plumbing locations, must be verified in field.



WESTHAVEN
CONSTRUCTION SERVICES, INC.

CLIENT
JOHN NELSON
0000
FL, 33000

ISSUE
04/ 22/ 2022
RE - ISSUE
MM,DD,YY

DESIGN BY
Joel A.
DRAWN BY
Abel Q.

DESCRIPTION
KITCHEN CABINETS & ISLAND
PAGE NAME
COFFEE STATION

PROJECT No
3507
PROJECT NAME
CONTINUUM SOUTH