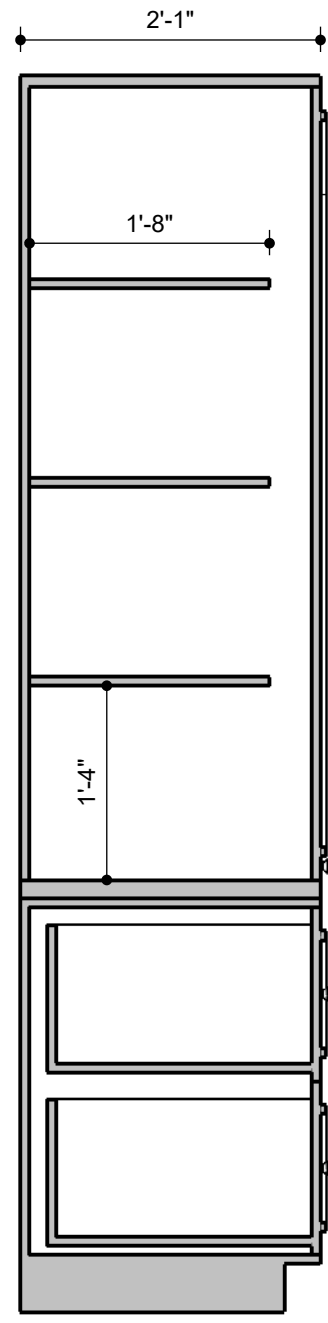
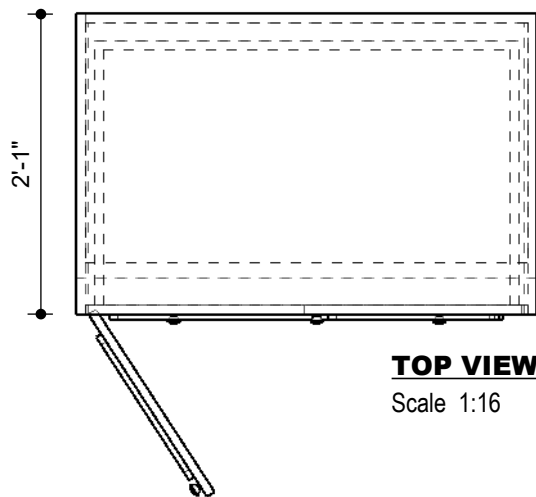


FRONT VIEW
Scale 1:16

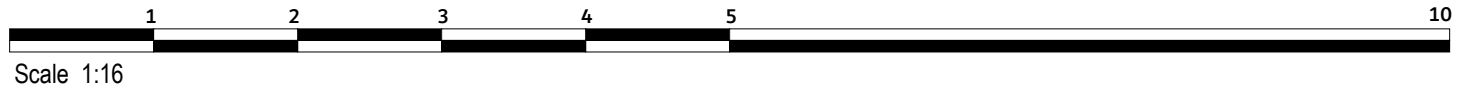


SECTION A
Scale 1:00



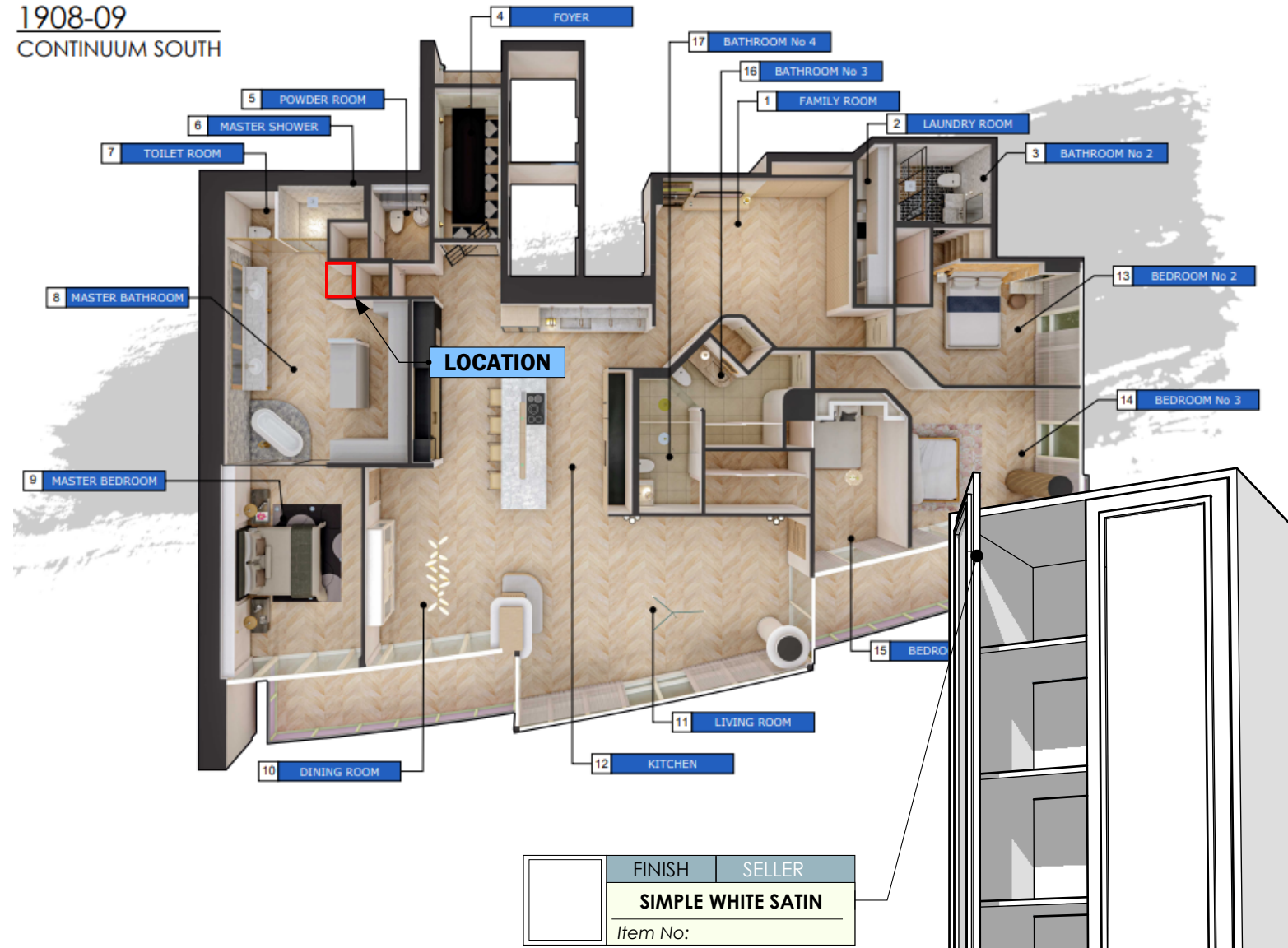
TOP VIEW
Scale 1:16

KNOB TO BE PROVIDED BY DESIGNER



Scale 1:16

1908-09
CONTINUUM SOUTH



FINISH	SELLER
SIMPLE WHITE SATIN	
Item No:	

PERSPECTIVE VIEW
Not Scaled

PROGRESS DRAWING

ALL MEASUREMENTS MUST BE VERIFIED IN FIELD

This drawing is not intended to be used for contract pricing or fabrication purposes. All content is subject to change.

DISCARD ALL DRAWINGS THAT WERE MADE ON THIS ITEM PRIOR TO THE DATE BELOW:

03/31/2023

NOTES

Drawings may not be scaled. The numerical dimensions represent correct measurements. All dimensions are given from finished floor and finished wall unless otherwise noted.

All design ideas, drawings and plans represented here are owned by the property of

WESTHAVEN CONSTRUCTION SERVICES.

All rights reserved. Above suggested electrical and plumbing locations, must be verified in field.



WESTHAVEN
CONSTRUCTION SERVICES, INC.

CLIENT
HERTRICH
0000
FL, 33000

ISSUE
08/ 22/ 2022

DESIGN BY
Joel A.

DESCRIPTION
MASTER BATH LINEN
PAGE NAME
ELEVATIONS

RE - ISSUE
MM,DD,YY

PROJECT No
1908-09

PROJECT NAME
CONTINUUM SOUTH

A-01