
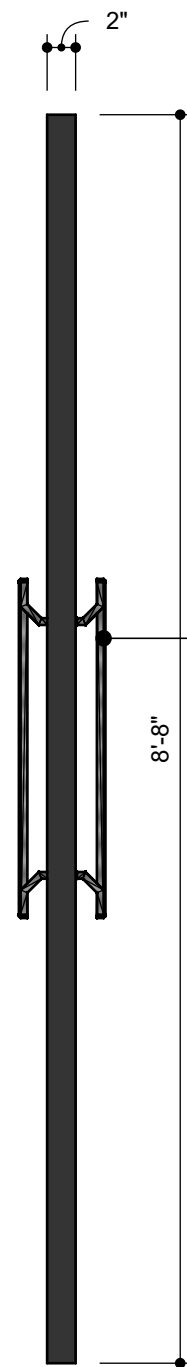
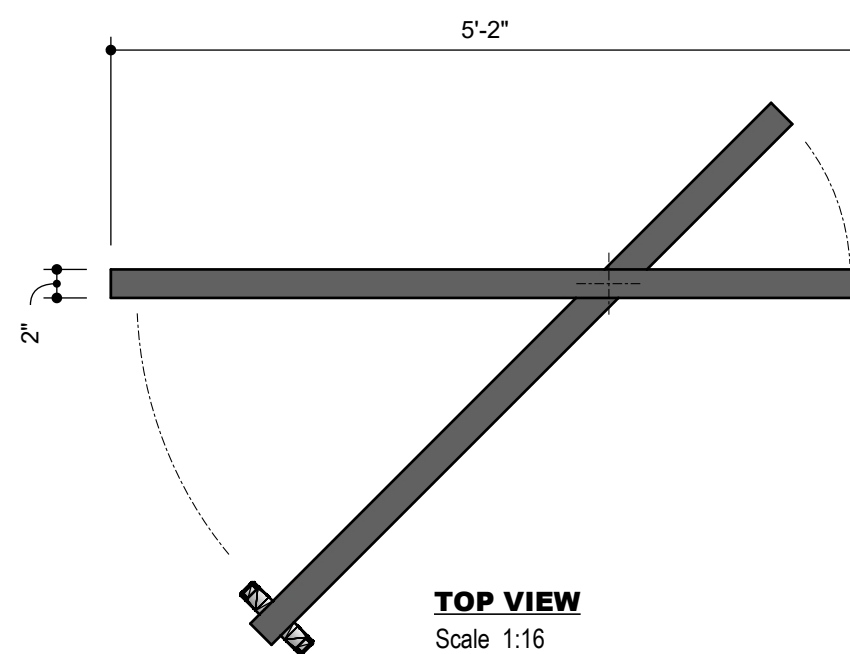


FRONT VIEW
Scale 1:16

FINISH	SELLER
	CLEAR GLASS
Item No:	



SIDE VIEW
Scale 1:16



TOP VIEW
Scale 1:16

(2) HANDLE (T.B.D.)



FROM FOYER
ArchViz



FROM KITCHEN
ArchViz

PROGRESS DRAWING

ALL MEASUREMENTS MUST BE VERIFIED IN FIELD
This drawing is not intended to be used for contract pricing or fabrication purposes. All content is subject to change.

DISCARD ALL DRAWINGS THAT WERE MADE ON THIS ITEM PRIOR TO THE DATE BELOW:

05/20/2022

NOTES
Drawings may not be scaled. The numerical dimensions represent correct measurements. All dimensions are given from finished floor and finished wall unless otherwise noted. All design ideas, drawings and plans represented here are owned by the property of **WESTHAVEN CONSTRUCTION SERVICES**. All rights reserved. Above suggested electrical and plumbing locations, must be verified in field.



WESTHAVEN
CONSTRUCTION SERVICES, INC.

CLIENT
HERTRICH
0000
FL, 33000

ISSUE
12/13/2021
RE - ISSUE
MM,DD,YY

DESIGN BY
Joel A.
DRAWN BY
Abel Q.

DESCRIPTION
MAIN PIVOT DOOR
PAGE NAME
PLAN

PROJECT No
1908-09
PROJECT NAME
CONTINUUM SOUTH