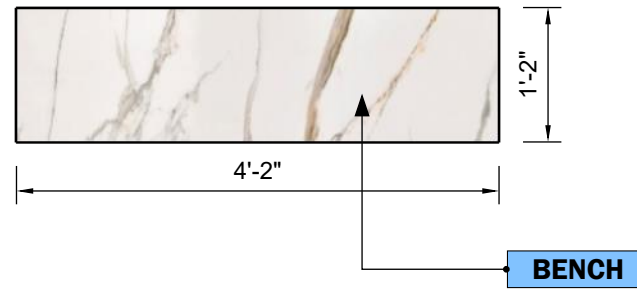
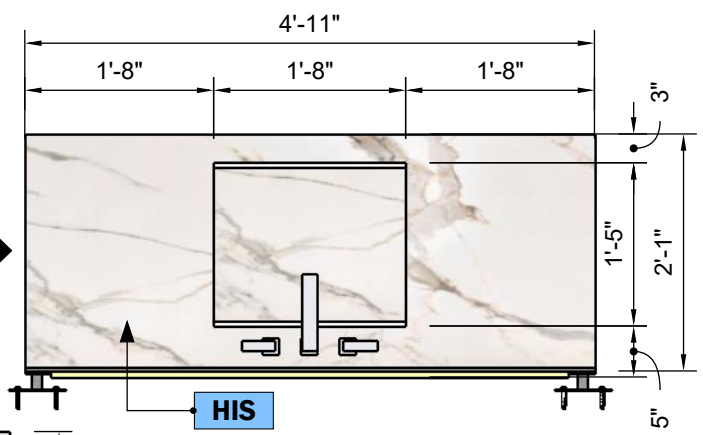


BATHTUB
 SERIE:
 Description

| | | |
|----------|----------|--------|
| T.B.D | FINISH | SELLER |
| | MILLWORK | |
| Item No: | | |

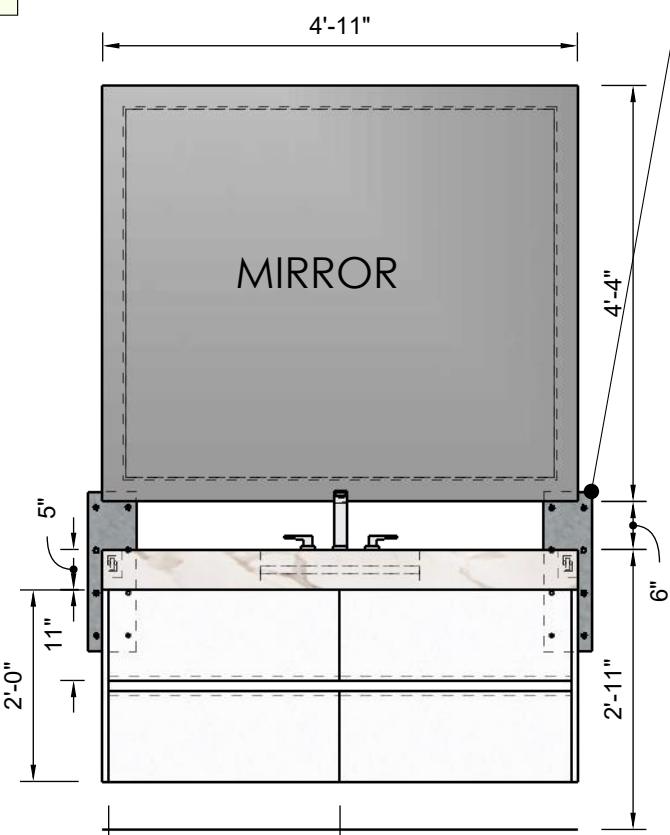
TOP VIEW
 Scale 1:20



This plan presents preliminary proposals for materials, measurements, and design. Please note that these proposals are subject to possible changes.
Materials: Proposed materials are subject to evaluation and final selection.
Measurements: Indicated measurements are approximate and may be adjusted during the design and construction process.
Design: The presented design is an initial proposal and may undergo modifications.
Approvals and revisions: Any changes to materials, measurements, or design require appropriate approval.

This plan does not represent the final version of the project, and adjustments will be made to ensure quality and goal fulfillment.

VIEW A
 Scale 1:20



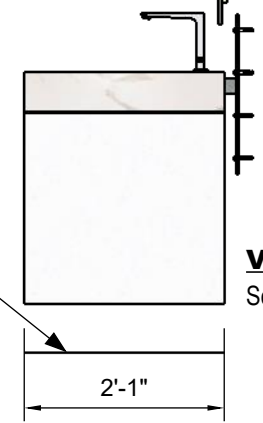
BRACKETS

SCAN QR CODE

VIEW C
 Scale 1:20



VIEW D
 Scale 1:20



NOTE

Drawings may not be scaled.

The numerical dimensions represent correct measurements. (If not indicated, the precision of the dimensions by default is to 1")

All design ideas, drawings and plans represented here are owned by the property of WESTHAVEN CONSTRUCTION SERVICES, INC. All rights reserved. Above suggested electrical and plumbing locations, must be verified in field.



WESTHAVEN CONSTRUCTION SERVICES, INC.

8254 South River Dr
 Medley, FL 33166
 Ph. 305 556 1416
 www.westhavencn.com

PROGRESS DRAWING FOR APPROVAL



CONTACT DESIGN TEAM

2104 CONTINUUM SOUTH
 0000 Fl, 33000

ISSUE: 07/17/2023
 RE - ISSUE: 07/18/2023

OWNER: CLIENT NAME
 DESIGN BY: J. Alonso
 DRAWN BY: A. Quintero
 PAGE NAME: PAGE No 1

DESIGN CONCEPT

ALL MEASUREMENTS MUST BE VERIFIED IN FIELD

DISCARD ALL DRAWINGS THAT WERE MADE ON THIS ITEM PRIOR TO THE DATE BELOW:

07/18/2023

This drawing is not intended to be used for contract pricing or fabrication purposes. All content is subject to change

A - 01

MASTER VANITIES