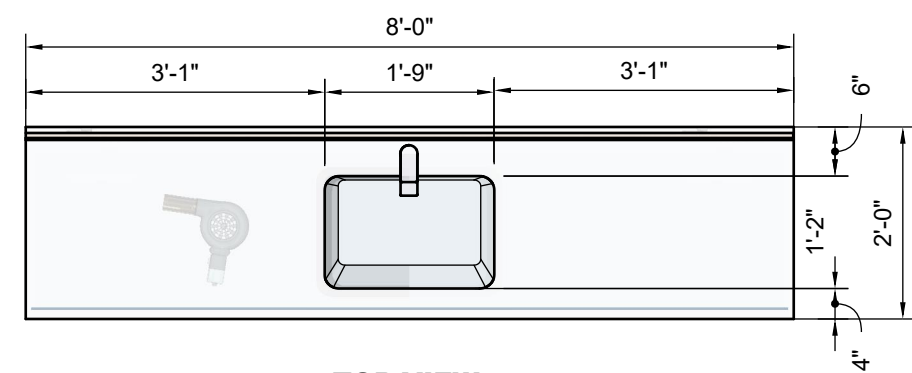
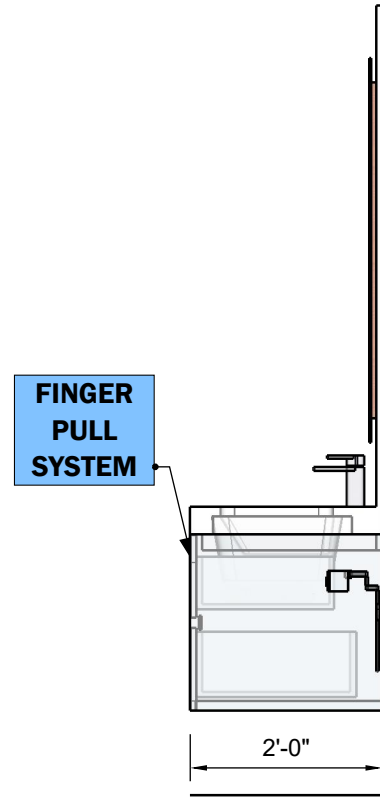


**FRONT VIEW**  
Scale 1:24



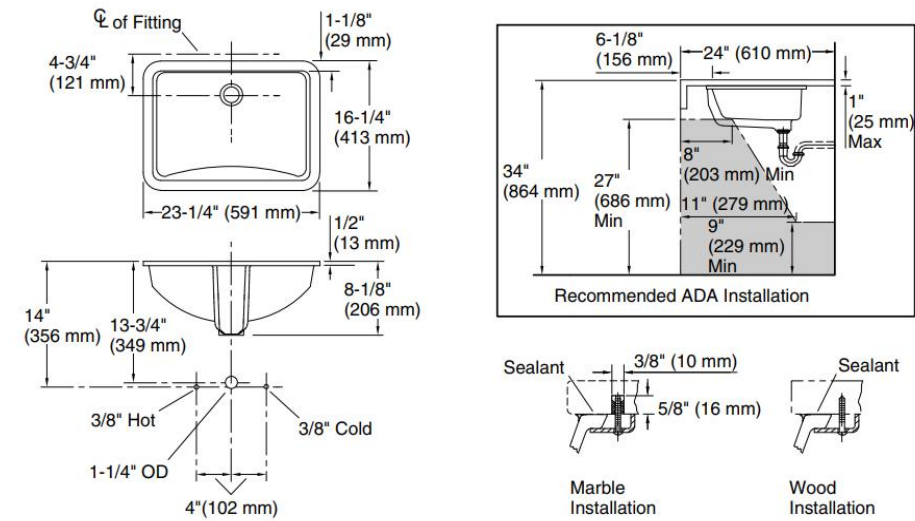
**TOP VIEW**  
Scale 1:24



**SIDE VIEW**  
Scale 1:24

**KOHLER.**

**Ladena®**  
Bathroom Sink  
K-2215



**KOHLER**  
Model k-23472-4-cp

**DRAWERS**

**PERSPECTIVE VIEW**  
Not Scaled

**APPROVED**

By **ANA CARVALHO**  
DESIGNER

**04/26/2024**

This drawing has been approved to be used for design, appraisal and estimation purposes.

ISSUE  
03/ 1/ 2024  
RE - ISSUE  
04/26/2024

**3701 PORTOFINO**  
0000 FI, 33000

OWNER  
MIRTHA A.  
DESIGN BY  
J. Alonso  
DRAWN BY  
A. Quintero  
PAGE NAME  
MASTER VANITY

**DESIGN CONCEPT**

**ALL MEASUREMENTS MUST BE VERIFIED IN FIELD**

DISCARD ALL DRAWINGS THAT WERE MADE ON THIS ITEM PRIOR TO THE DATE BELOW:

**04/26/2024**

This drawing is not intended to be used for contract pricing or fabrication purposes. All content is subject to change

**D - 01**

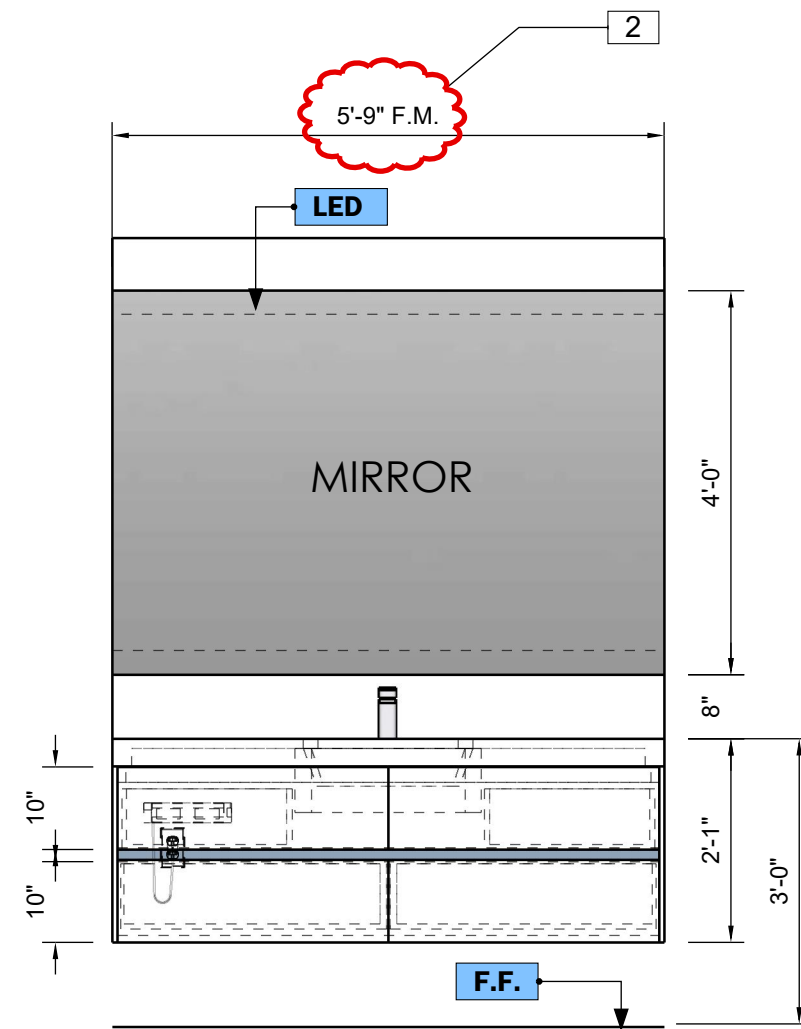
VANITIES

NOTE

Drawings may not be scaled.

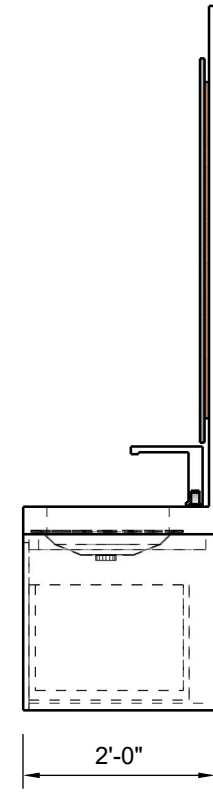
The numerical dimensions represent correct measurements. (If not indicated, the precision of the dimensions by default is to 1")

All design ideas, drawings and plans represented here are owned by the property of WESTHAVEN CONSTRUCTION SERVICES, INC. All rights reserved. Above suggested electrical and plumbing locations, must be verified in field.



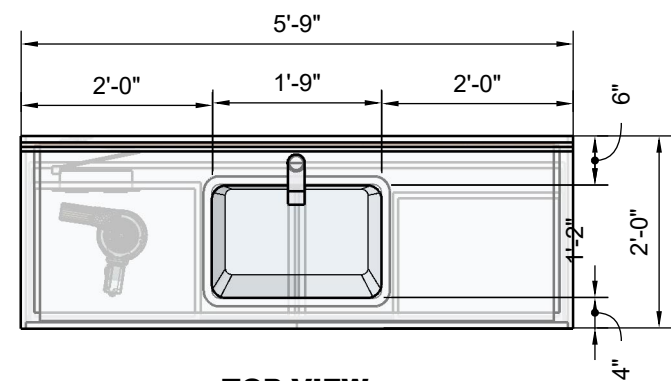
**FRONT VIEW**

Scale 1:24



**SIDE VIEW**

Scale 1:24

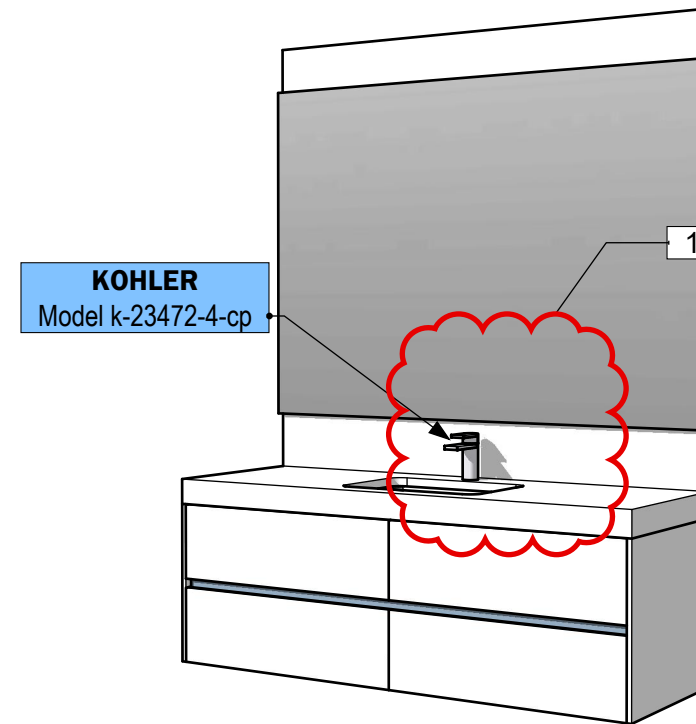
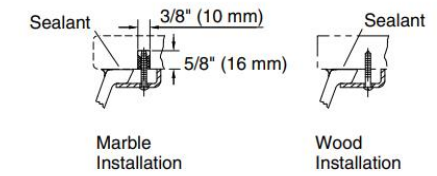
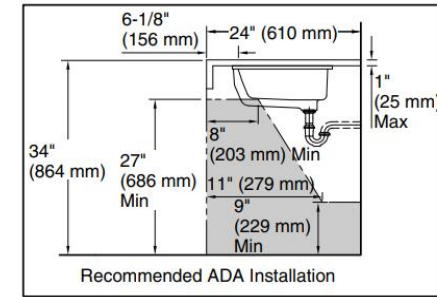
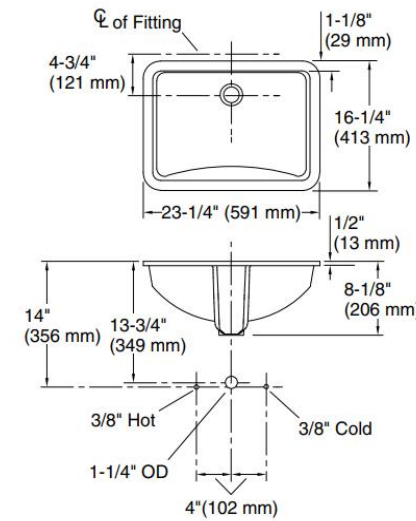


**TOP VIEW**

Scale 1:24

**KOHLER.**

**Ladena®**  
Bathroom Sink  
K-2215



**PERSPECTIVE VIEW**

Not Scaled

*This plan presents preliminary proposals for materials, measurements, and design. Please note that these proposals are subject to possible changes.*

**Materials:** Proposed materials are subject to evaluation and final selection.

**Measurements:** Indicated measurements are approximate and may be adjusted during the design and construction process.

**Design:** The presented design is an initial proposal and may undergo modifications.

**Approvals and revisions:** Any changes to materials, measurements, or design require appropriate approval.

*This plan does not represent the final version of the project, and adjustments will be made to ensure quality and goal fulfillment.*

STARTED: 03/1/2024

COMPLETED: 04/26/2024

**REVISIONS**

NO.	DESCRIPTION	DATE
1	faucet	
2	Field Measurements	04/26/2024
3	Docking Drawer	

**APPROVED** ✓

By ANA CARVALHO

DESIGNER

04/26/2024

This drawing has been approved to be used for design, appraisal and estimation purposes.

**REVISED VERSION**

ISSUE 03/1/2024  
RE-ISSUE 04/26/2024

**3701 PORTOFINO**  
0000 FI, 33000

OWNER MIRTHA A.  
DESIGN BY J. Alonso  
DRAWN BY A. Quintero  
PAGE NAME VANITY No 2

**DESIGN CONCEPT**

**ALL MEASUREMENTS MUST BE VERIFIED IN FIELD**

DISCARD ALL DRAWINGS THAT WERE MADE ON THIS ITEM PRIOR TO THE DATE BELOW:

04/26/2024

This drawing is not intended to be used for contract pricing or fabrication purposes. All content is subject to change

**D-02**

VANITIES





**WESTHAVEN**  
CONSTRUCTION SERVICES, INC.

8254 South River Dr  
Medley, FL 33166  
Ph. 305 556 1416  
www.westhavencn.com

THIS DRAWING IS A DESIGN CONCEPT

**FOR APPROVAL**



CONTACT DESIGN TEAM

**3701 PORTOFINO**  
0000 Fl, 33000

ISSUE  
03/ 1/ 2024  
RE - ISSUE  
04/26/2024

OWNER  
MIRTHA A.  
DESIGN BY  
J. Alonso  
DRAWN BY  
A. Quintero  
PAGE NAME  
DOCKING DRAWER

**DESIGN CONCEPT**

**ALL MEASUREMENTS  
MUST BE  
VERIFIED IN FIELD**

DISCARD ALL DRAWINGS THAT  
WERE MADE ON THIS ITEM PRIOR  
TO THE DATE BELOW:

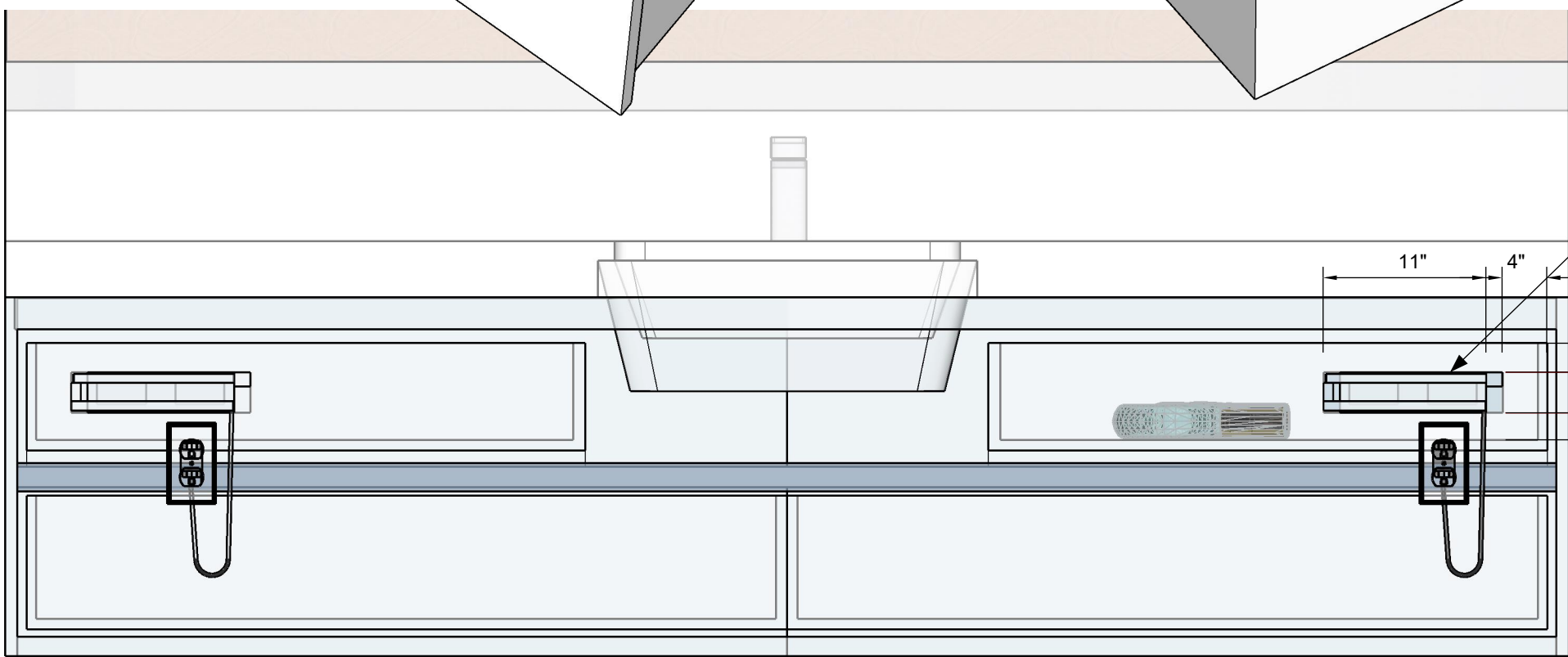
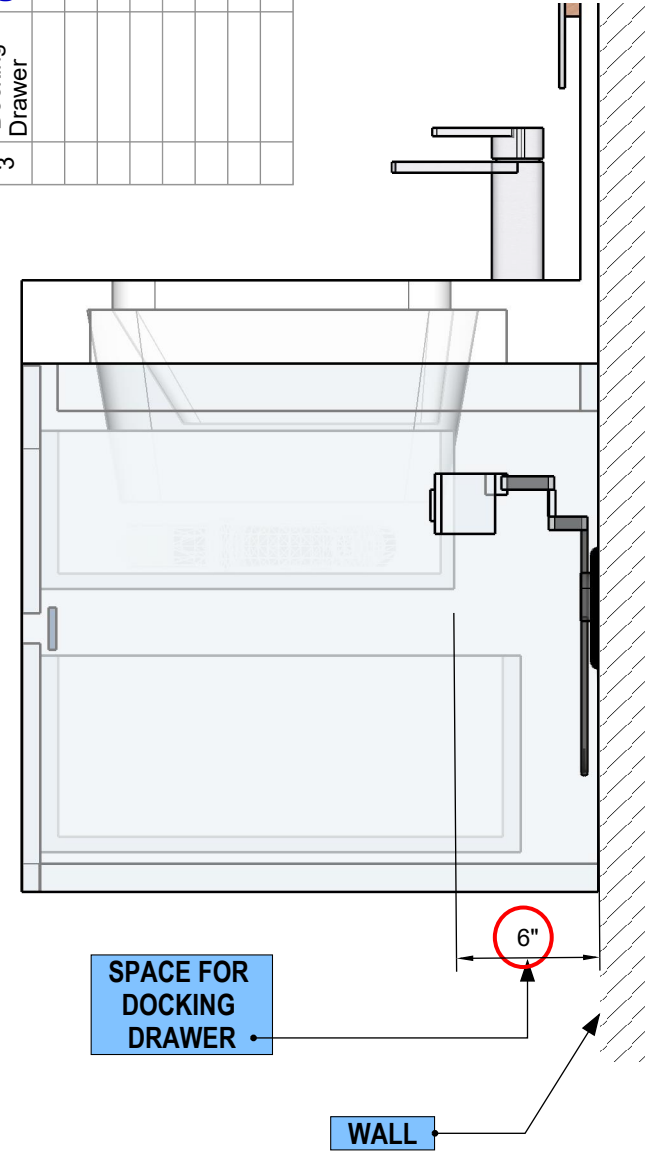
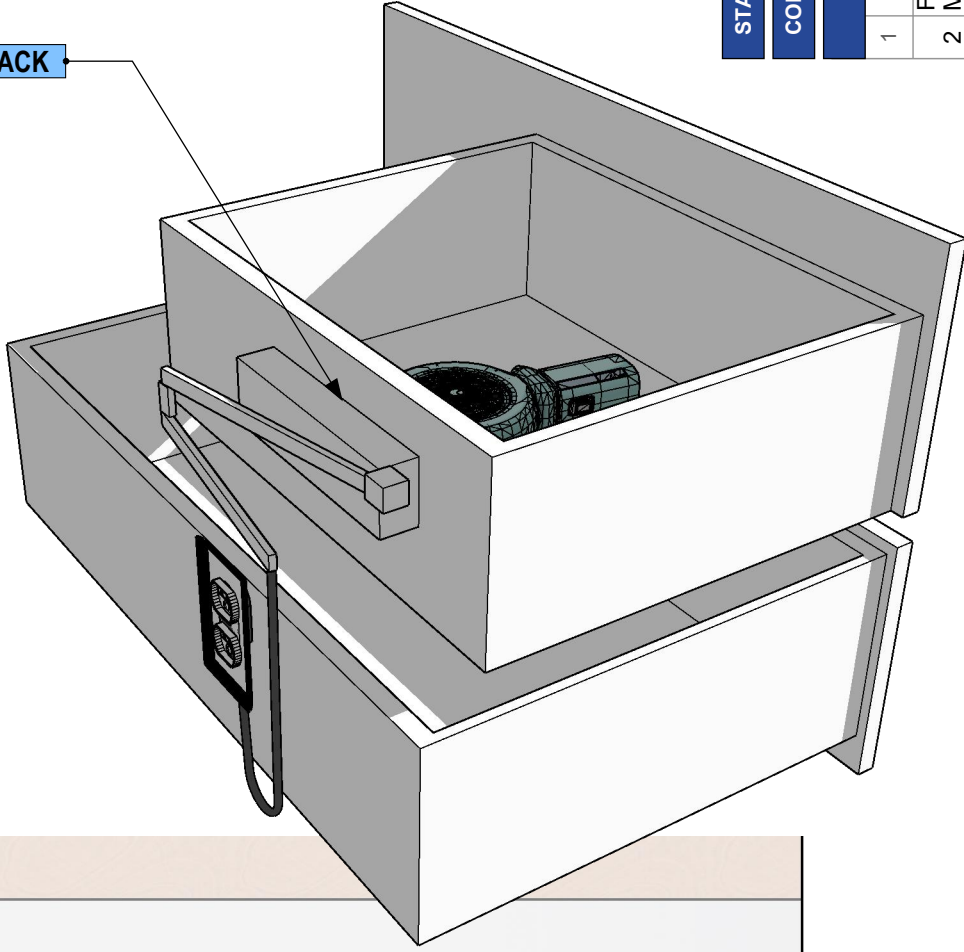
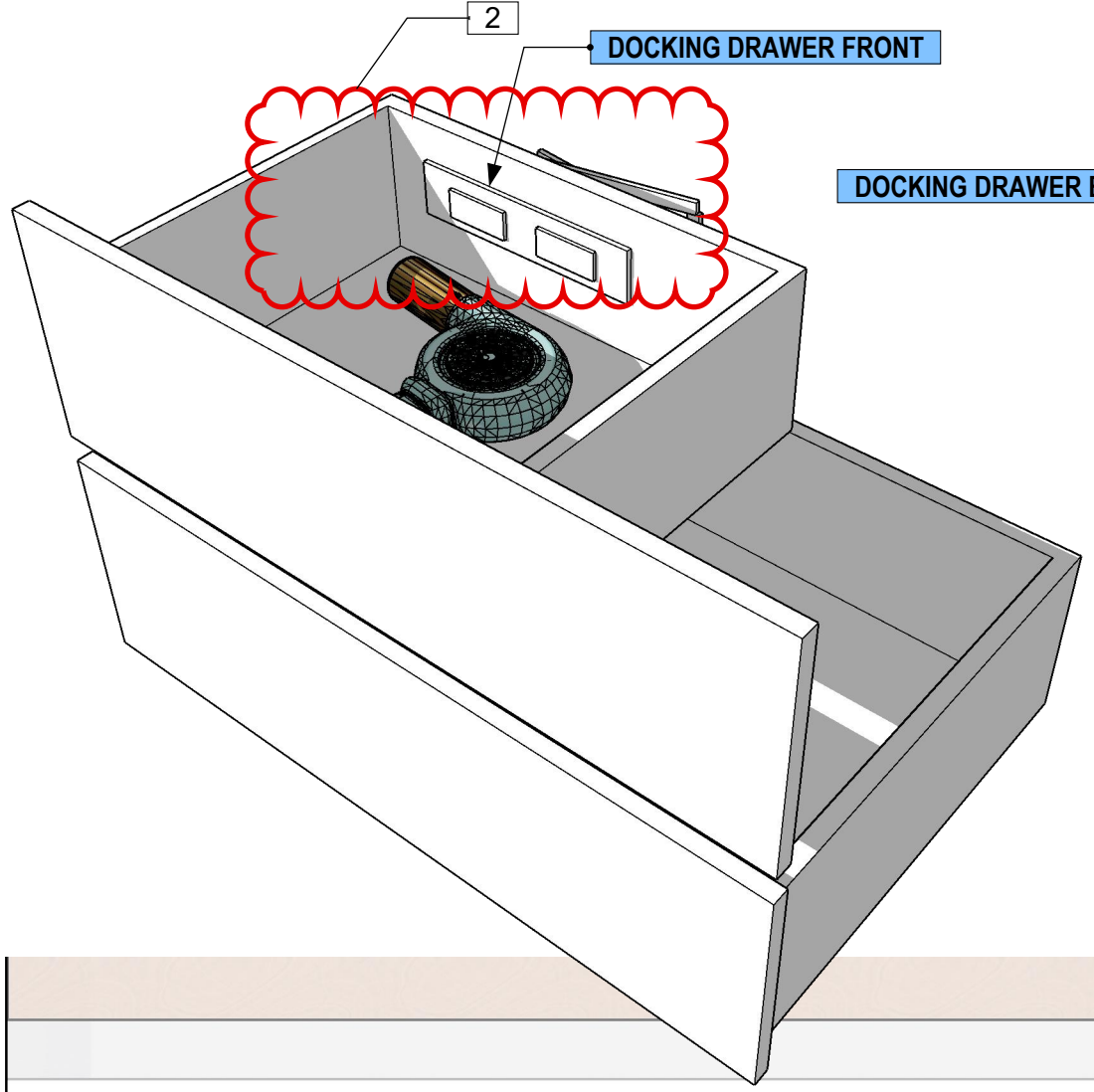
**04/26/2024**

This drawing is not intended to be used  
for contract pricing or fabrication  
purposes.  
All content is subject to change

**D - 04**

VANITIES

STARTED:	03/1/2024
COMPLETED:	04/26/2024
REVISIONS	
1	faucet
2	Field Measurements
3	Docking Drawer
	04/26/2024



BACK X-RAY VIEW

HOLE FOR DOCKING DRAWER

2" Verify Product Information

