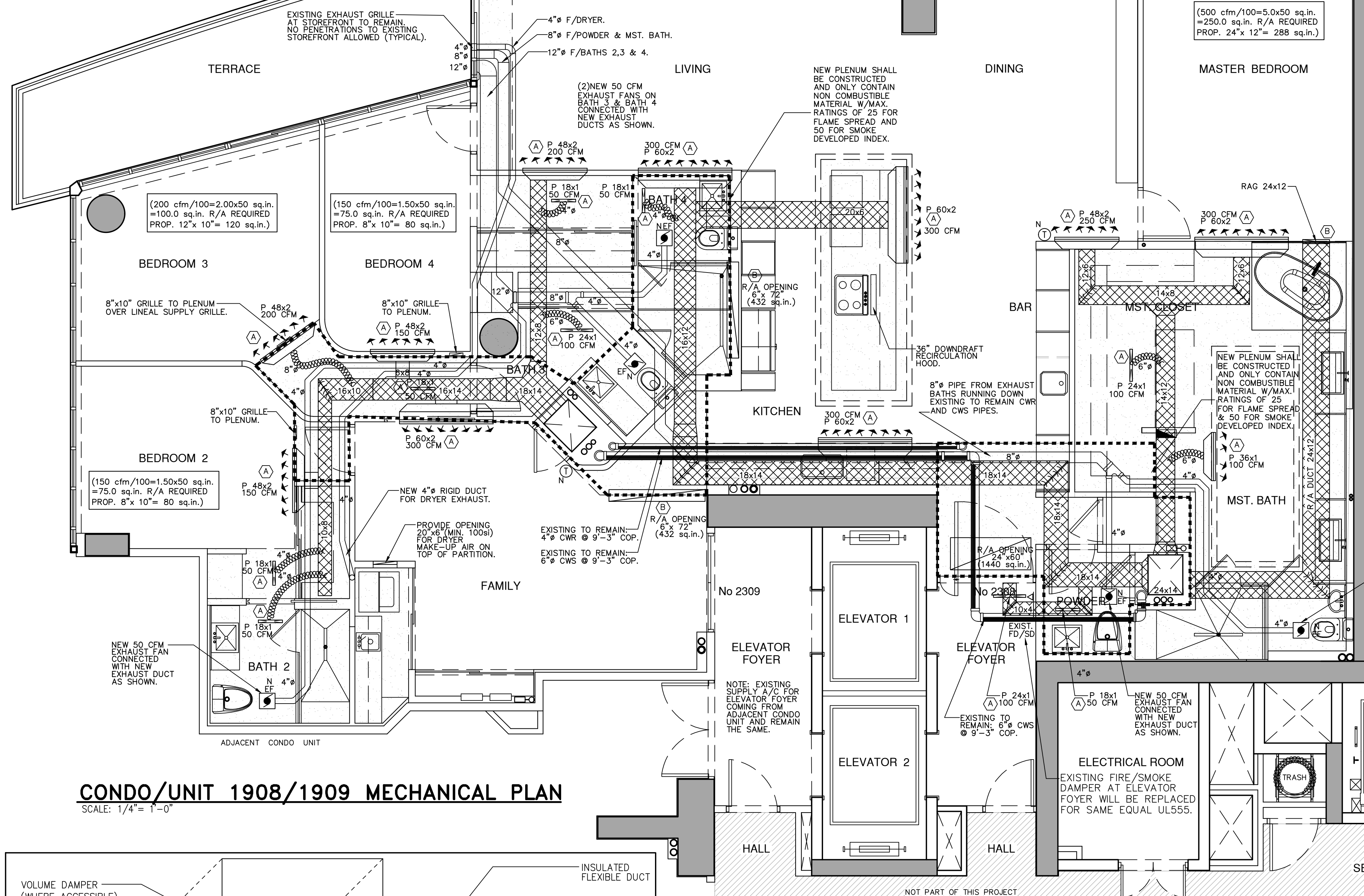


MECHANICAL
 INTERIOR REMODELING & ALTERATION LEVEL II
 FLORIDA BUILDING CODE 2020 7th EDITION

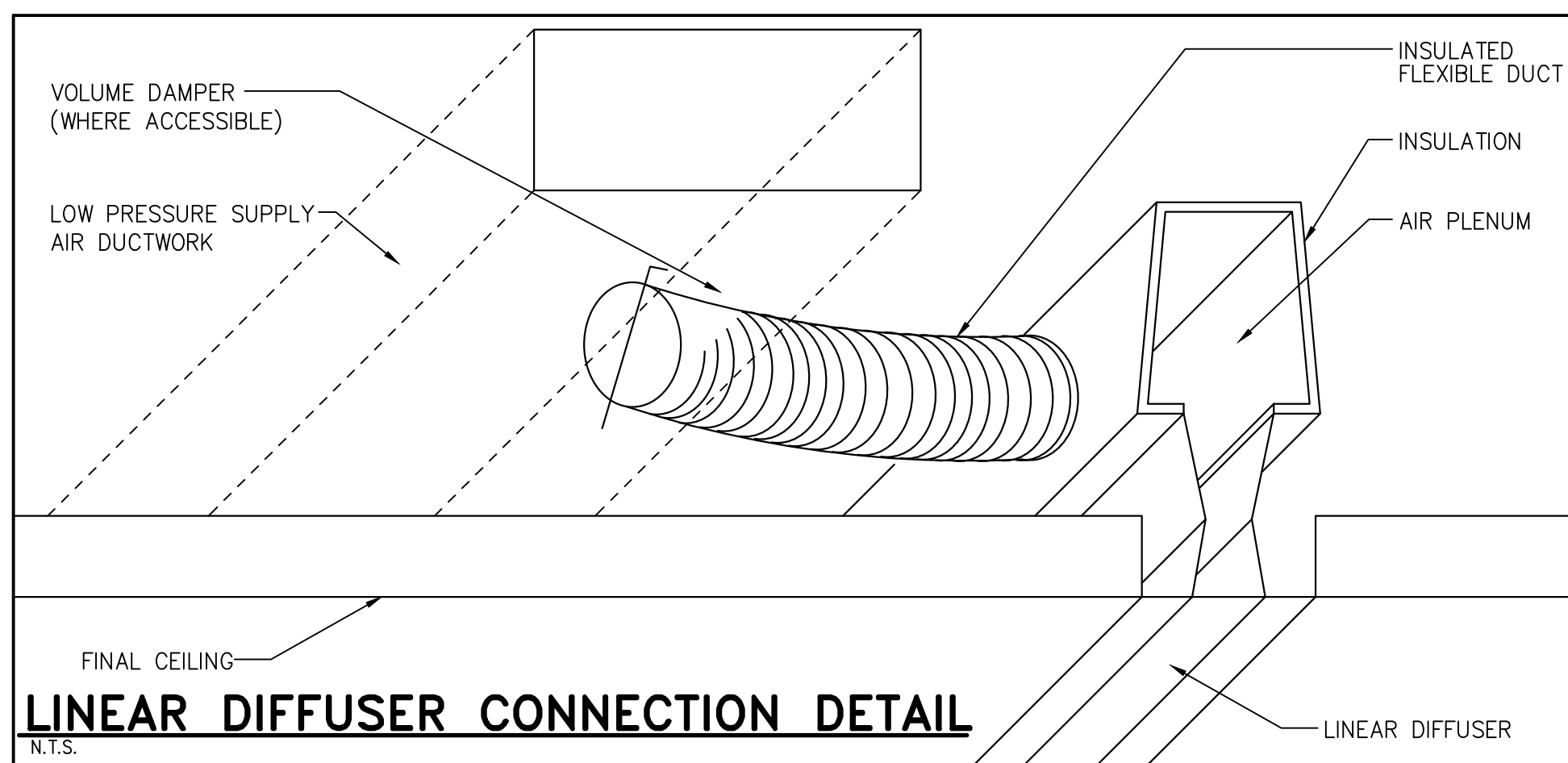
MECHANICAL SCOPE OF WORK

- AHU-1 ARE EXISTING TO REMAIN AT SAME LOCATION
- AHU-2 ARE EXISTING TO REMAIN AT SAME LOCATION
- ALL THE AC DUCTS AND DUCT WORK ARE NEW.
- ALL SUPPLY AND RETURN GRILLES WILL BE NEW.
- ALL RIGID ROUND EXHAUST DUCTS WILL BE NEW AS PER NEW LAYOUT.
- ALL EXHAUST FANS ON BATHS WILL BE NEW.
- PROVIDE NEW (2) PROGRAMMABLE THERMOSTAT FOR EACH AHU SYSTEM.



CONDO/UNIT 1908/1909 MECHANICAL PLAN

SCALE: 1/4" = 1'-0"



LINEAR DIFFUSER CONNECTION DETAIL

N.T.S.

EXHAUST FAN SCHEDULE:

| FAN # | MANUFACTURER AND MODEL NO. | SONES | HP AMPS | CFM @ S.P. | ELECT. SERV. VOLTS/PH/Hz | DIMENSIONS WxL (IN.) | REMARKS |
|-------|----------------------------|-------|---------|------------|--------------------------|----------------------|---|
| EF#1 | NUTONE LS-50 | 0.7 | 0.15 | 50 @ 0.1" | 120/1/60 | 14 1/4x12 1/16 | EXHAUST DUCTS AND GRILLES AT EXTERIOR ARE EXISTING AND WILL BE RENOVATED. |

NOTE: OR EQUIVALENT EQUIPMENT

EXISTING AIR-CONDITIONING HP-1
 CLIMATEMASTER Model TCV042AGC30CWTS
 3.5 TON. HEAT PUMP SYSTEM
 120-240/1/60
 INDOOR CFM = 1300
 CAP. = 36.0 Kbtu/hr.
 FUSE/CIRCUIT BREAKER SIZE: 40 A.
 LISTED HEAT PUMP
 COOLING: A27 - W30/W15/B25 - 12/13/12 KW.
 HEATING: A20 - W20/W10/B0 - 15/13/10 KW.

EXISTING AIR-CONDITIONING HP-2
 FHP Model EM060-1VTC
 5.0 TON. HEAT PUMP SYSTEM
 120-240/1/60
 INDOOR CFM = 2000
 CAP. = 48.0 Kbtu/hr.
 FUSE/CIRCUIT BREAKER SIZE: 60 A.
 LISTED HEAT PUMP
 COOLING: A27 - W30/W15/B25 - 18/19/18 KW.
 HEATING: A20 - W20/W10/B0 - 23/18/14 KW.

LEGEND

- PROP. NEW EXHAUST DUCTS.
- PROP. NEW R/A OPENING/GRILLES.
- PROP. NEW SQUARE SUPPLY DUCTS.
- PROP. NEW ROUND SUPPLY DUCTS.
- PROP. NEW R/A PLENUM.

| HVAC DESIGN REQUIRES: | YES | NO |
|--|-----|----|
| DUCT SMOKE DETECTOR | ✓ | ✓ |
| FIRE DAMPER(S) | ✓ | |
| SMOKE DAMPER(S) | ✓ | |
| FIRE RATED ENCLOSURE | ✓ | |
| FIRE RATED ROOF/FLOOR CEILING ASSEMBLY | ✓ | |
| FIRE STOPPING | ✓ | |
| SMOKE CONTROL | ✓ | |

AIR DISTRIBUTION SCHEDULE

| MARK | USE | TYPE | ACCESSORIES | NECK SIZE CFM RANGE | MANUFACTURER MODEL NUMBER |
|------|--------|---------------------------------|---|---------------------|---------------------------|
| (A) | SUPPLY | (2)1" SLOT LINEAR SLOT DIFFUSER | O. B. D. W/RYLING REGULATOR CONTROL PROVIDED INSULATED BOOT PLENUM. | SEE DRAWINGS | T&B Tuttle & Bailey |
| (B) | RETURN | CONVENTIONAL DIFFUSER | INSULATED PLENUM. | SEE DRAWINGS | CONVENTIONAL GRILLE |

- NOTES:
 1.- CONTRACTOR SHALL COORDINATE AIR DISTRIBUTION DEVICES TYPE & LOCATION WITH CEILING TYPES & ARRANGEMENT PRIOR TO ORDERING AND INSTALLATION OF DEVICES.
 2.- BASIS OF DESIGN IS TAB OR APPROVED EQUALS: ITILUS, PRICE OR KRUGER.
 3.- CONTRACTOR SHALL PROVIDE A YOUNG REGULATOR WITH REMOTE ADJUSTMENT CABLE IN ALL SLOT DIFFUSERS.

DUCTWORK SPECIFICATIONS:

GENERAL. ALL DUCT SIZES SHOWN ARE CLEAR INSIDE DIMENSIONS. DUCT DIMENSIONS ARE IN INCHES AND CORRESPOND TO INSIDE DIMENSIONS WIDTH X HEIGHT. DUCT SYSTEM SHALL COMPLY WITH "NFPA" STANDARD NO. 90A AND/OR 90B. DUCTWORK AND COMPONENTS SHALL BE CLASS 1 MATERIALS IN ACCORDANCE WITH U.L. 18 TESTS. INSULATION WILL BE R5, AS PER EXISTING. MATERIAL. DUCTWORK SHALL BE 1-1/2" THICK (R-6), 3 POUNDS PER CUBIC FOOT DENSITY FIBERGLASS WITH VAPOR BARRIER, UNLESS OTHERWISE SPECIFIED. DUCTWORK SHALL BE FABRICATED AND INSTALLED IN ACCORDANCE WITH MANUFACTURER'S SPECIFICATIONS AND ACCORDING TO "SMACNA'S" LOW PRESSURE DUCT. ALL DUCT JOINTS SHALL BE SEALED AND TAPED. PROVIDE DOUBLE THICKNESS TURNING VANES AT ALL SQUARE ELBOWS. WHERE THE ELBOWS ARE RECTANGULAR INSTALL SINGLE THICKNESS INSTEAD. PROVIDE VOLUME EXTRACTORS BEHIND EACH SUPPLY OUTLET AND AT EACH DUCT BRANCH.

- A. ALL SUPPLY AIR DUCTWORK SHALL BE 1-1/2" THICK FIBERGLASS DUCTBOARD, FABRICATED AND INSTALLED AS PER LATEST EDITION OF SMACNA "FIBROUS GLASS DUCT MANUAL". R-6.0 MIN.
- B. ALL DUCT DIMENSIONS ARE CLEAR INSIDE DIMENSIONS.
- C. FLEXIBLE INSULATED DUCTWORK WITH 1-1/2" THICK FIBERGLASS INSULATION WITH FIRE RETARDANT VAPOR BARRIER. R-6.0 MIN.
- D. SEAL JOINTS WITH EPOXY & DUCT TAPE.
- E. EXHAUST AIR DUCTWORK SHALL BE GALVANIZED, SHEET METAL, NOT LIGHTER THAN 24 GA.

NOTES:

- AT THESE REMODELING/RENOVATION WORK, THE WORKING DRAWINGS ARE CONSIDERED AS A GUIDE AND HAVE TO BE VERIFY AT FIELD, AS PER EXISTING CONDITIONS.
- IF ANY DISCREPANCIES OCCUR BETWEEN EXISTING CONDITIONS, CONSTRUCTION DRAWINGS AND/OR DESIGN CONSULTANT DRAWINGS, THE CONTRACTOR NOTIFY TO ARCHITECT AND DESIGN CONSULTANT FOR DIRECTION PRIOR TO COMMENCING ANY WORK.

"INDICATED PORTION OF CEILING IS A R/A PLENUM FOR BOTH AHU THAT SHALL BE CONSTRUCTED AND ONLY CONTAIN NON-COMBUSTIBLE MATERIAL WITH MAXIMUM RATINGS OF 25 FOR FLAME SPREAD AND 50 FOR SMOKE DEVELOPED INDEX."

LEGEND

- E DENOTE EXISTING TO REMAIN
- E/R DENOTE EXISTING TO BE RELOCATED OR REMODELING
- P PROPOSED A NEW ONE
- R/A RETURN AIR
- EF EXHAUST FAN

NOTES:

- 1.-THE AIR CONDITIONING SYSTEM IS EXISTING AND REMAIN THE SAME BUT INCLUDED SOME GRILLE AND OR DUCTS MODIFICATIONS AS PER PLAN.
- 2.-THE MAIN DUCTS AND AIR FLOW ARE EXISTING AND REMAIN THE SAME BUT INCLUDED SOME RELOCATIONS AS PER PLAN.
- 3.-THE RETURNS AIR GRILLE/DUCTS ARE EXISTING AND REMAIN THE SAME BUT INCLUDED SOME RELOCATIONS AS PER PLAN.
- 4.-THE EXHAUST FANS FOR BATHROOM 2 AND POWDER ARE EXISTING AND REMAIN THE SAME.
- 5.-THE EXHAUST FOR DRYER ARE EXISTING AND REMAIN THE SAME, AS PER PLAN.



Westhaven Construction Services, Inc.
 8254 NW South River Drive, Medley FL 33166
 LIC No CB21258615
 305-556-1418 Call 305-979-8824
 archgarcia@gmail.com

Fine Line Engineers Inc.
 Electrical, Mechanical, Plumbing, Fire Protection
 7600 WEST 20TH AVE SUITE 110, HIALEAH, FLORIDA, 33016
 E-mail: wlv@fineengineers.com

COMBINE TWO UNITS, INTERIOR
 REMODELING AND FINISHING ON:
 CONTINUUM SOUTH TOWER No 1908/1909
 For: JPMIA LLC.
 100 South Pointe Drive No 1908/1909,
 Miami Beach, FL 33139

JOB No. 2021/05 ROD

STARTED: 04/20/21

COMPLETED: 05/15/21

REVISION

| No. | DESCRIPTION | DATE |
|-----|-------------|------|
| | | |
| | | |
| | | |
| | | |

Fine Line Engineers Inc.
 Electrical, Mechanical, Plumbing
 Fire Protection, Construction Administration
 7600 W. 20TH AVE Suite #110 Hialeah, FL 33016
 Voice: 786.953-4901 - Fax: 786.953-4907
 E-mail: cadinfo@fineengineers.com

GEORGE FREIJO, P.E.
 REGISTERED ENGINEER NO. 32578
 STATE OF FLORIDA CA# 29798

DATE: _____

M-1