

This drawing has been approved to be used for design, appraisal and estimation purposes.

ISSUE	12/ 11/ 2023
RE - ISSUE	12/12/2023
OWNER	WESTHAVEN OFFICE
DESIGN BY	J. Alonso
DRAWN BY	A. Quintero
PAGE NAME	GENERAL SPECS

ALL MEASUREMENTS MUST BE VERIFIED IN FIELD

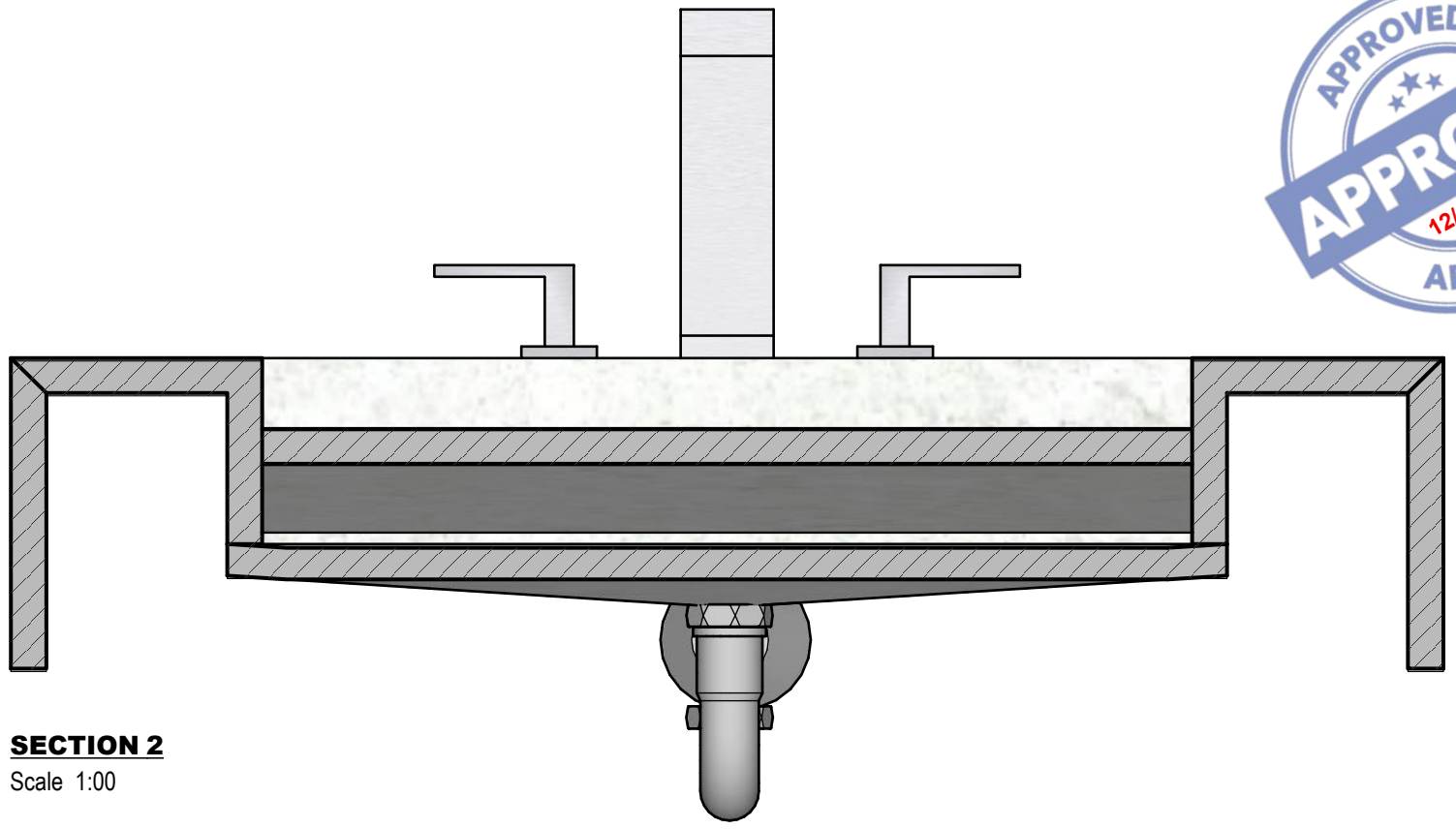
DISCARD ALL DRAWINGS THAT WERE MADE ON THIS ITEM PRIOR TO THE DATE BELOW:

11/06/2022

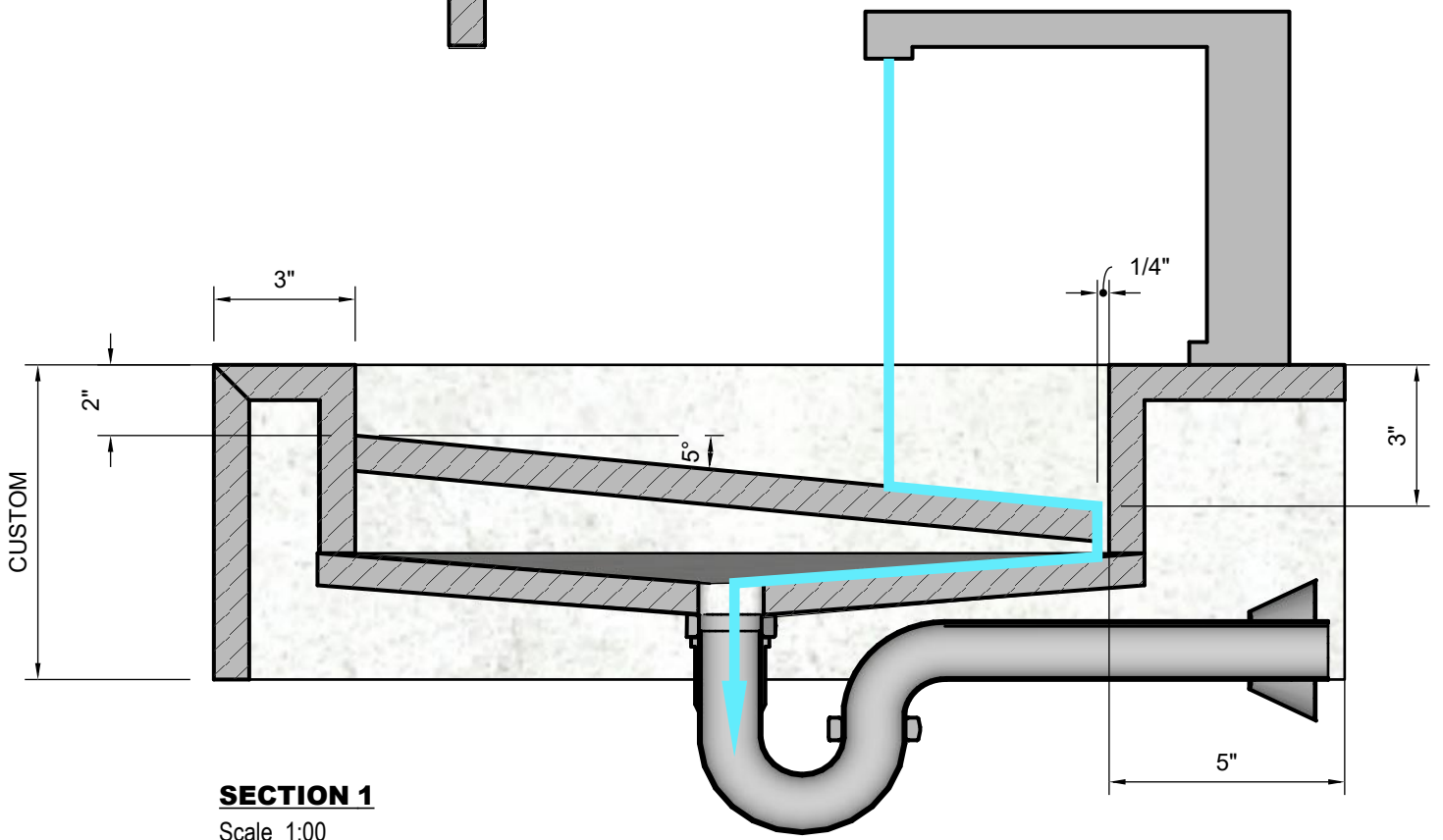
This drawing is not intended to be used for contract pricing or fabrication purposes. All content is subject to change



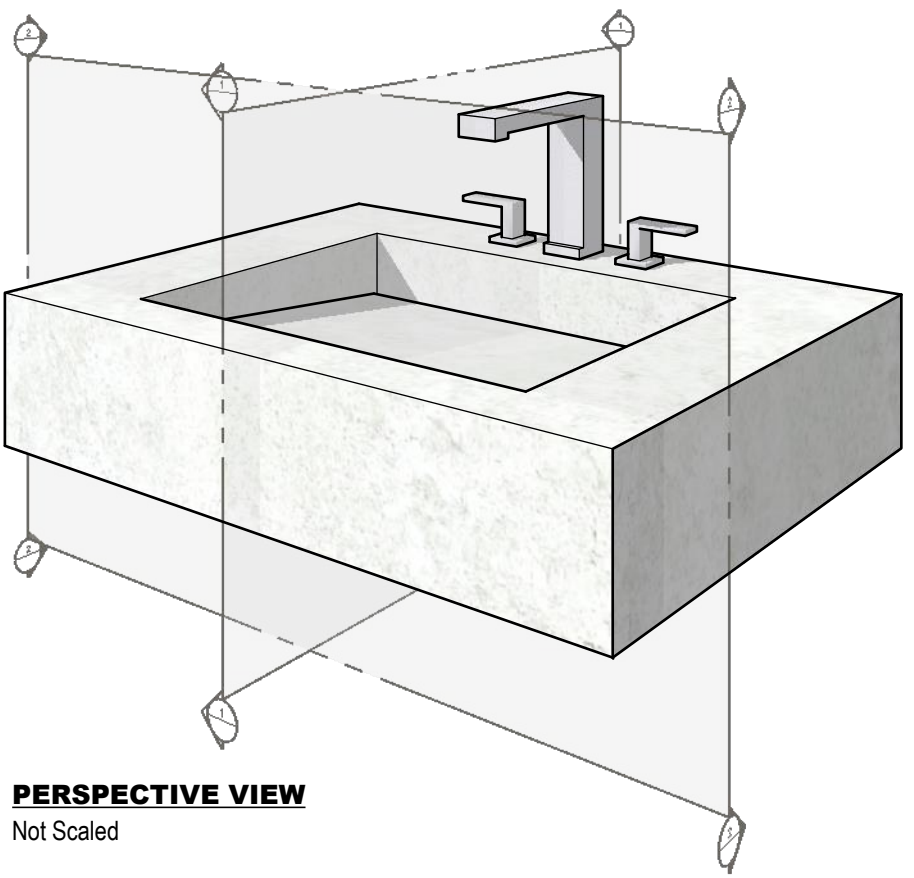
SINK WITH SLAB TILTED TOWARDS WHERE THE FAUCET IS PLACED. THIS SLAB HAS A 1/4' GAP FOR THE PASSAGE OF WATER THROUGH THE ENTIRE WIDTH OF THE INTERIOR OF THE SINK



SECTION 2
Scale 1:00



SECTION 1
Scale 1:00



PERSPECTIVE VIEW
Not Scaled

THIS STYLE WAS CREATED FOR THE BEST AND MOST COMFORTABLE OPERATION OF THE SINK. AVOIDS UNWANTED SPLASHES AND A PRACTICAL AND PLEASANT DESIGN.

NOTE

Drawings may not be scaled.

The numerical dimensions represent correct measurements. (If not indicated, the precision of the dimensions by default is to 1")

All design ideas, drawings and plans represented here are owned by the property of WESTHAVEN CONSTRUCTION SERVICES, INC. All rights reserved. Above suggested electrical and plumbing locations, must be verified in field.