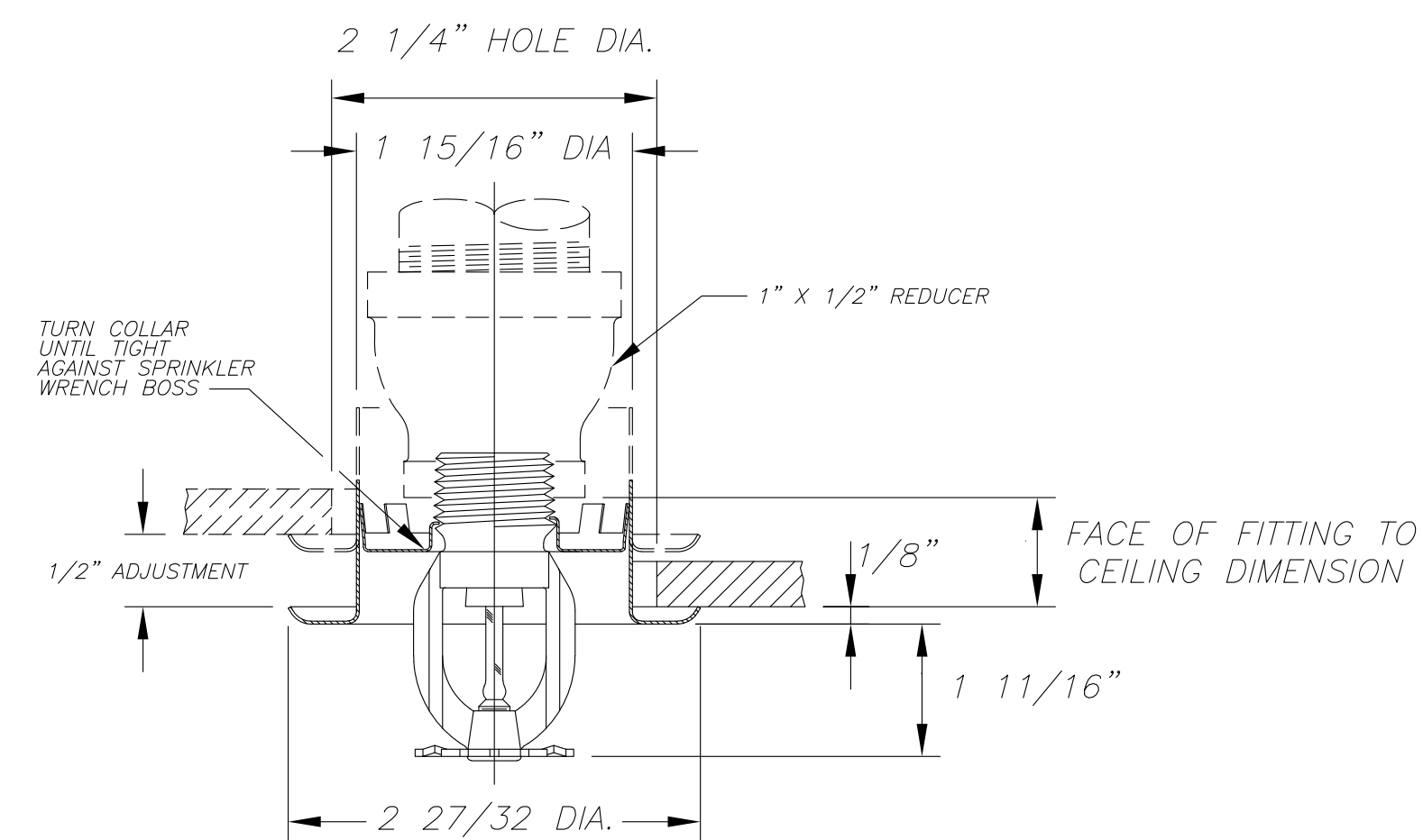


TYPICAL HANGER DETAIL
N.T.S.

PIPE SIZE	ROD SIZE	TYPE OF FASTENER	MIN. 'C' DIM.	MAX. 'C' DIM.
3/4"	3/8"	1-3/8" X 1-17/32" DROP-IN ANCHOR	1/2"	1-5/8"
1"			5/8"	1-3/4"
1-1/4"			13/16"	1-7/8"
1-1/2"			15/16"	2"
2"	1/2"	1-1/2" X 2-1/32" DROP-IN ANCHOR	1-3/16	2-3/8"
2-1/2"			1-7/16"	2-3/4"
3"			1-3/4"	3-1/4"
3-1/2"			2"	3-5/8"
4"	5/8"	1-5/8" X 2-15/32" DROP-IN ANCHOR	2-1/4"	3-7/8"
5"			2-3/4"	4-3/4"
6"			3-5/16"	5-1/2"
8"			N/A	N/A



TYPICAL RECESSED PENDENT SPRINKLER DETAIL

FIRE PROTECTION NOTES:

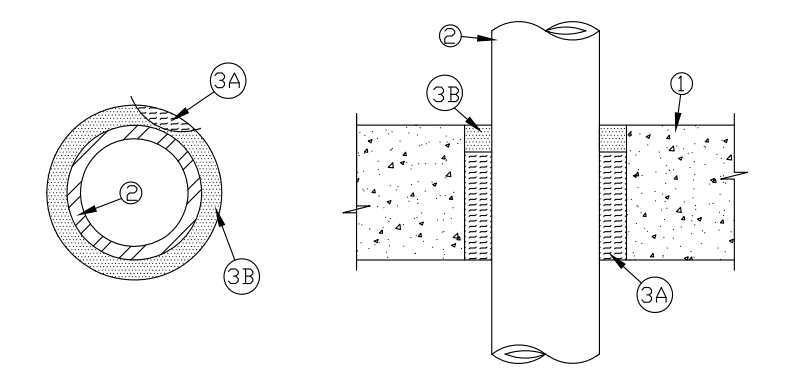
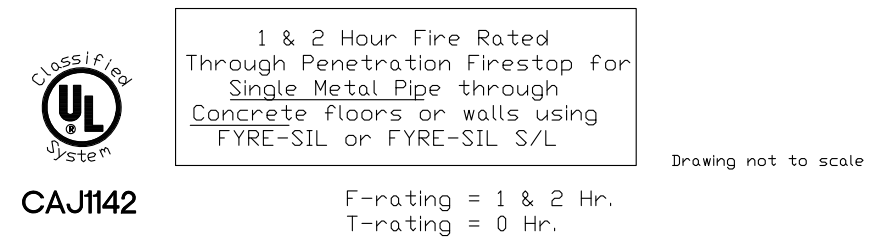
- ALL FIRE SPRINKLER WORK SHALL BE DONE ACCORDING TO LATEST N.F.P.A. 13, 25, 101 AND STATE AND LOCAL CODES AND ORDINANCES.
- CONTRACTOR SHALL PAY ALL FEES, INSPECTION AND CONNECTION CHARGES REQUIRED.
- SPRINKLER CONTRACTOR SHALL VERIFY ALL SPACE CONDITIONS AND DIMENSIONS AT JOB SITE PRIOR TO FABRICATION AND INSTALLATION OF MATERIALS AND EQUIPMENT.
- COORDINATE WORK WITH OTHER TRADES.
- SUBMIT SHOP DRAWINGS TO ENGINEER FOR APPROVAL OF ALL EQUIPMENT, MATERIALS, LAYOUTS AND CALCULATIONS, PRIOR TO INSTALLATION.
- SPRINKLER CONTRACTOR SHALL GUARANTEE ALL WORK FREE OF DEFECTS IN MATERIAL AND WORKMANSHIP FOR A PERIOD OF ONE YEAR FROM DATE OF ACCEPTANCE.
- FIRE LINES [INCLUDING FIRE SPRINKLER LINES]
 - UNDERGROUND: DUCTILE IRON PIPE.
 - ABOVE GROUND: SCHEDULE 10 ALLIED XL-IN CONCEALED SPACE
 - SPRINKLER STANDPIPE SHALL BE SCHEDULE 10 BLACK STEEL PIPE WITH GROOVED FITTINGS.
- NOTE: ALL PIPING SHALL BE TREATED WITH M.I.C. PROTECTION
- ALL VALVES SHALL BE UL LISTED FOR FIRE PROTECTION SERVICE AND BE SUPERVISED BY THE FIRE ALARM SYSTEM.
- DOUBLE CLAPPER PROJETING SIAMESE CONNECTIONS SHALL BE GUARDIAN MODEL 133 OR EQUAL.
- TESTS: WATER PIPING: TEST TO 50 PSI BEYOND THE HIGHEST ANTICIPATED PRESSURE.

NOTE: ALL LOW POINTS TO BE EQUIPPED WITH AUXILIARY DRAINS PER NFPA 13
- ALL EXPOSED WET PIPING SHALL BE INSULATED TO PREVENT FREEZING
- THESE DRAWINGS WERE PREPARED BASED ON NFPA-13, 2002 EDITION
- CONTRACTOR SHALL PROVIDE SHOP DRAWINGS. SHOP DRAWINGS SHALL COMPLY WITH N.F.P.A 13 AND NFPA 101.8.6.7 THESE DRAWINGS ARE A BASIS OF DESIGN ONLY. CONTRACTOR SHALL INCLUDE ANY MISSING INFORMATION BASED ON N.F.P.A. 13.
- SEE FIRE ALARM DRAWINGS FOR ALL SEQUENCES AND INTERLOCK BETWEEN FIRE SPRINKLER SYSTEM AND FIRE ALARM SYSTEM.
- ELEVATORS SHALL BE PROTECTED PER NFPA 13.4-5.5, UNIFORM SAFETY RULES, CHAPTER 4A-47. COMPLIANCE WITH STATE FIRE MARSHALS RULES 4A-47.

OCCUPANCY AND HAZARD CLASSIFICATION SCHEDULE

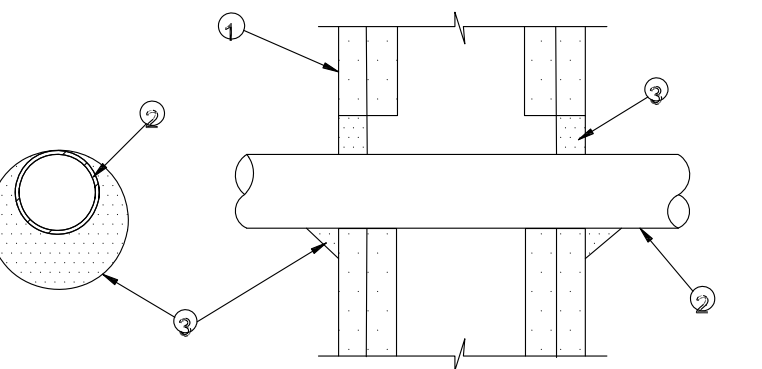
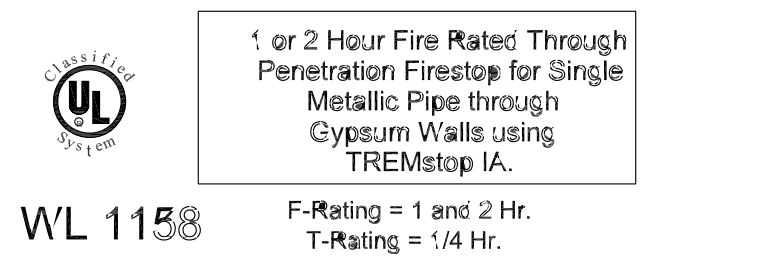
OCCUPANCY	HAZARD CLASSIFICATION	AREA S.F.	COVERAGE	SPACING	DENSITY
RESIDENTIAL	LIGHT HAZARD	1899	144 S.F.	12'x12'	0.15 GPM S.F.

NOTE: FOR OCCUPANCY LOAD SEE SHEET LIFE SAFETY DRAWINGS



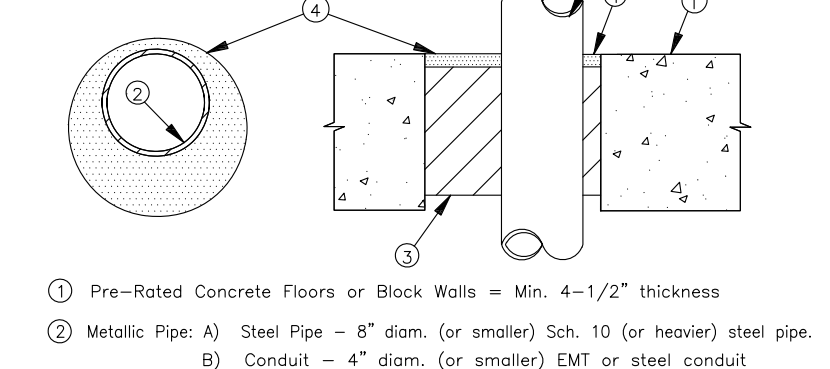
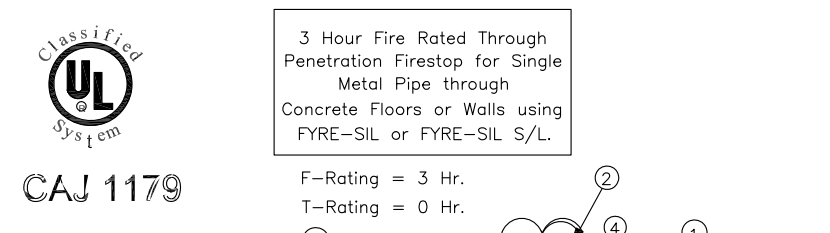
- Floor or Wall assembly = 4 1/2" thick concrete
- Steel Pipe - 4" diam. (or smaller) Sch. 40 (or heavier) steel. Annular space is max. 3/4"
- A) 3 1/2" thick mineral wool (min. 4.0 pcf), friction fitted. B) 1" thickness of FYRE-SIL or FYRE-SIL S/L (Floors only)

FIRE RATED PIPE PENETRATION DETAIL
N.T.S.



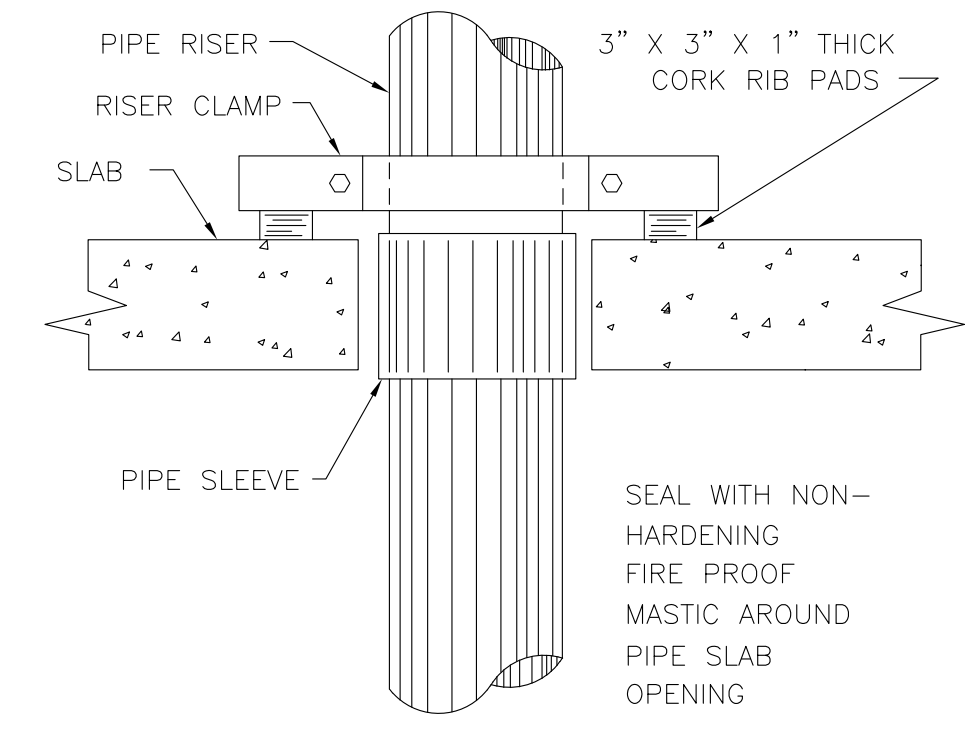
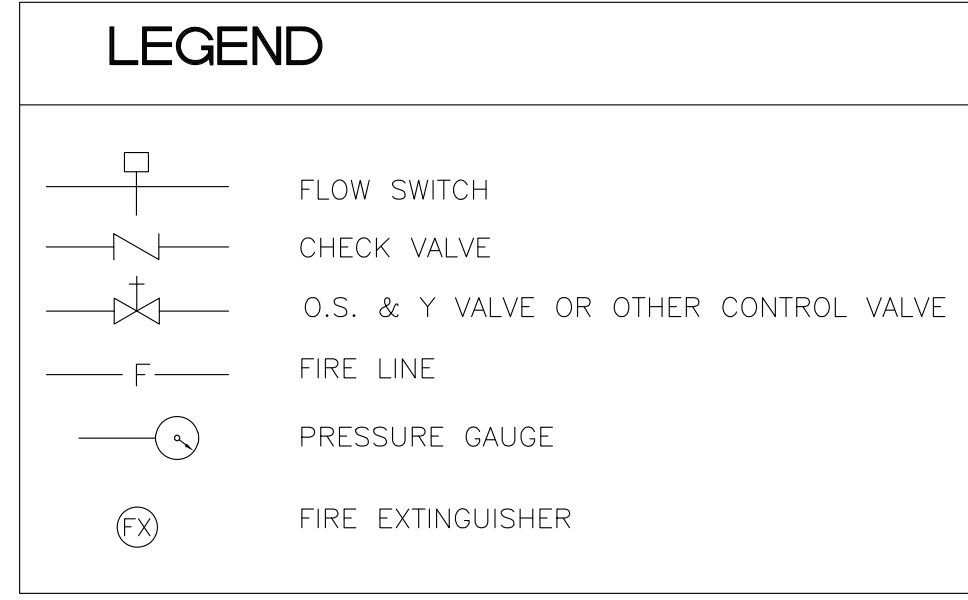
- Pre-Rated Gypsum Wallboard/Gluc Wall Assembly
- Metallic Pipe - A) Steel Pipe - 1/2" diam. (or smaller) Sch. 10 (or heavier) steel pipe. B) Iron Pipe - 1/2" diam. (or smaller) cast or ductile iron pipe. C) Copper Tubing - 1/2" diam. (or smaller) Type L (or heavier) copper tubing. D) Copper Pipe - 1/2" diam. (or smaller) Regular (or heavier) copper pipe. The annular space shall be min. 0" to max. 1" within the firestop system.
- TIREMetop IA - Min. 1/2" thickness of sealant applied within opening. Min. 1/4" cant bead of sealant to be applied at point contact.

FIRE RATED PIPE PENETRATION DETAIL

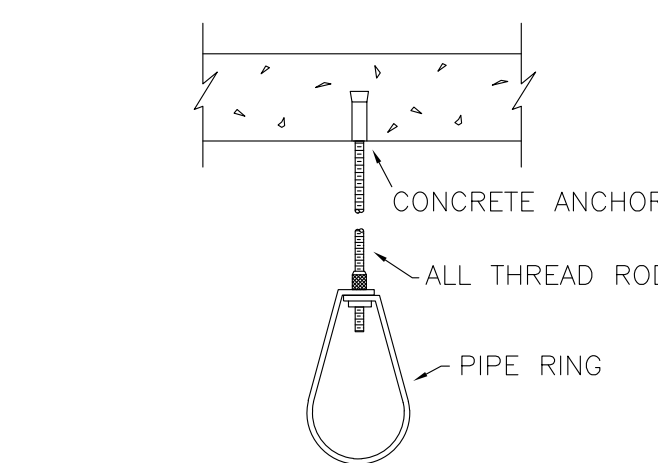


- Pre-Rated Concrete Floors or Block Walls = Min. 4-1/2" thickness
- Metallic Pipe: A) Steel Pipe - 8" diam. (or smaller) Sch. 10 (or heavier) steel pipe. B) Conduit - 4" diam. (or smaller) EMT or steel conduit. C) Copper Tubing - 4" diam. (or smaller) Type L (or heavier) copper tubing. D) Copper Pipe - 4" diam. (or smaller) Regular (or heavier) copper pipe. The annular space shall be min. 1/2" to max. 3-3/8" within the firestop system.
- Packing Material = Min. 3-1/2" thick mineral wool (min. 6.0 pcf) insulation, firmly packed into opening as a permanent form.
- FYRE-SIL or FYRE-SIL S/L = Min. 1/2" thickness of sealant applied within annulus, flush with top of floor surface or with both sides of the wall assembly.

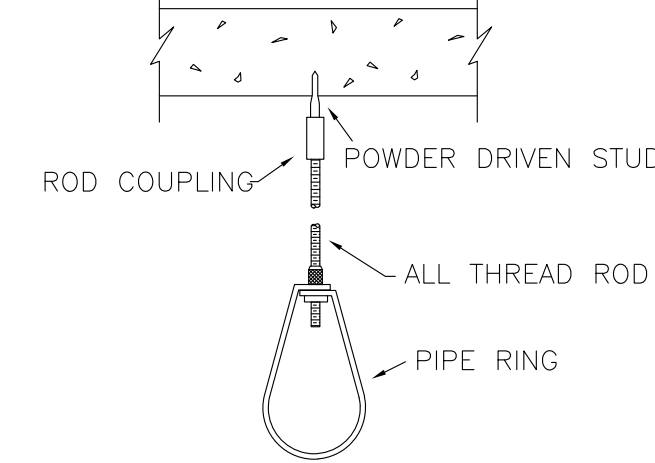
FIRE RATED PIPE PENETRATION DETAIL
N.T.S.



TYPICAL VERTICAL WATER PIPE SUPPORT DETAILS



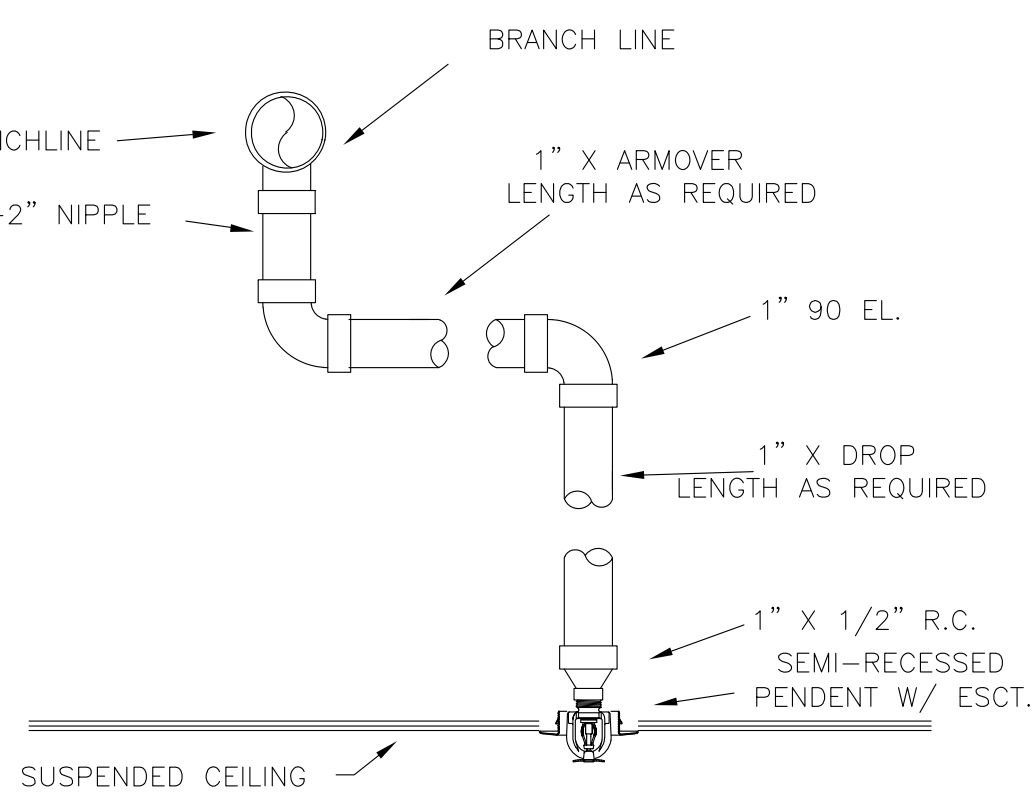
DRILLED CONC. ANCHOR HANGER



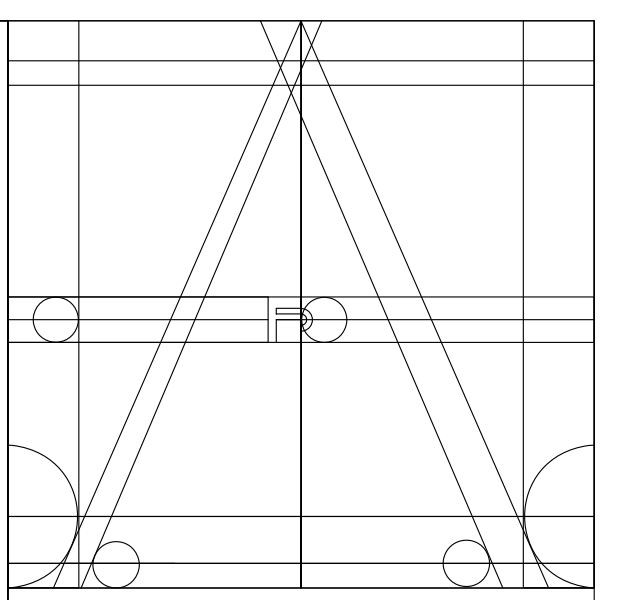
POWDER DRIVEN STUD HANGER



C-CLAMP HANGER



TYP. SWING AND DROP ASSEMBLY



ANA STUDIO ARCHITECTURE, PC
ANA RESKREIS, RA
280 RIVERSIDE DRIVE (8th FLOOR), NEW YORK, N.Y. 10025
+1 212 641 5416 +31 66 43 86 24 55
ANASTUDIO@GMAIL.COM
WWW.FRENCHDRS.COM

WEXLER RESIDENCE
300 SOUTHPOINTE DR.
4304

MIAMI BEACH, FL.
33139

NOTES

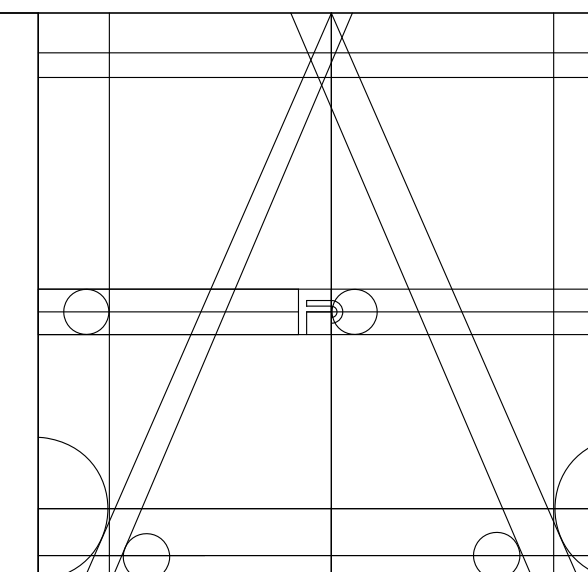
No.	Date	Description
1	1.17.2024	FIRST SUBMISSION
1	3.12.2024	FIRST SUBMISSION AFTER OBJECTIONS

TITLE
FIRE PROTECTION

DATE: 1.17.2024
PROJECT No.: 2107
DRAWN BY: JRS
CHECKED BY: ARE
PRG No.: **FP-1**

FP-1

Line Engineers Inc.
ACCEPTED: Mechanical Engineering
Fire Protection, Construction Administration
2080 W. 76TH STREET, Hialeah, FL 33016
Voice: 781-991-4801 Fax: 781-991-4907
E-mail: callings@lineengineers.com
GEORGE FREJO, P.E.
REGISTERED ENGINEER NO. 35236
STATE OF FLORIDA, CLASS 22736



ANA STUDIO ARCHITECTURE, PC
 ANA R.ESKREIS, RA
 280 RIVERSIDE DRIVE, 8th FLOOR, NEW YORK, N.Y. 10025
 +1 212 647 2416 +33 (0) 43 86 24 55
 ANASTUDIOARCHITECTURE.COM
 WWW.FRENCHDRIVE.COM

WEXLER RESIDENCE
 300 SOUTHPOINTE DR.
 4304

MIAMI BEACH, FL.
 33139

NOTES

No.	Date	Description
1	1.17.2024	FIRST SUBMISSION (FOR QUOTE)
1	1.12.2024	FIRST SUBMISSION AFTER OBJECTIONS

TITLE

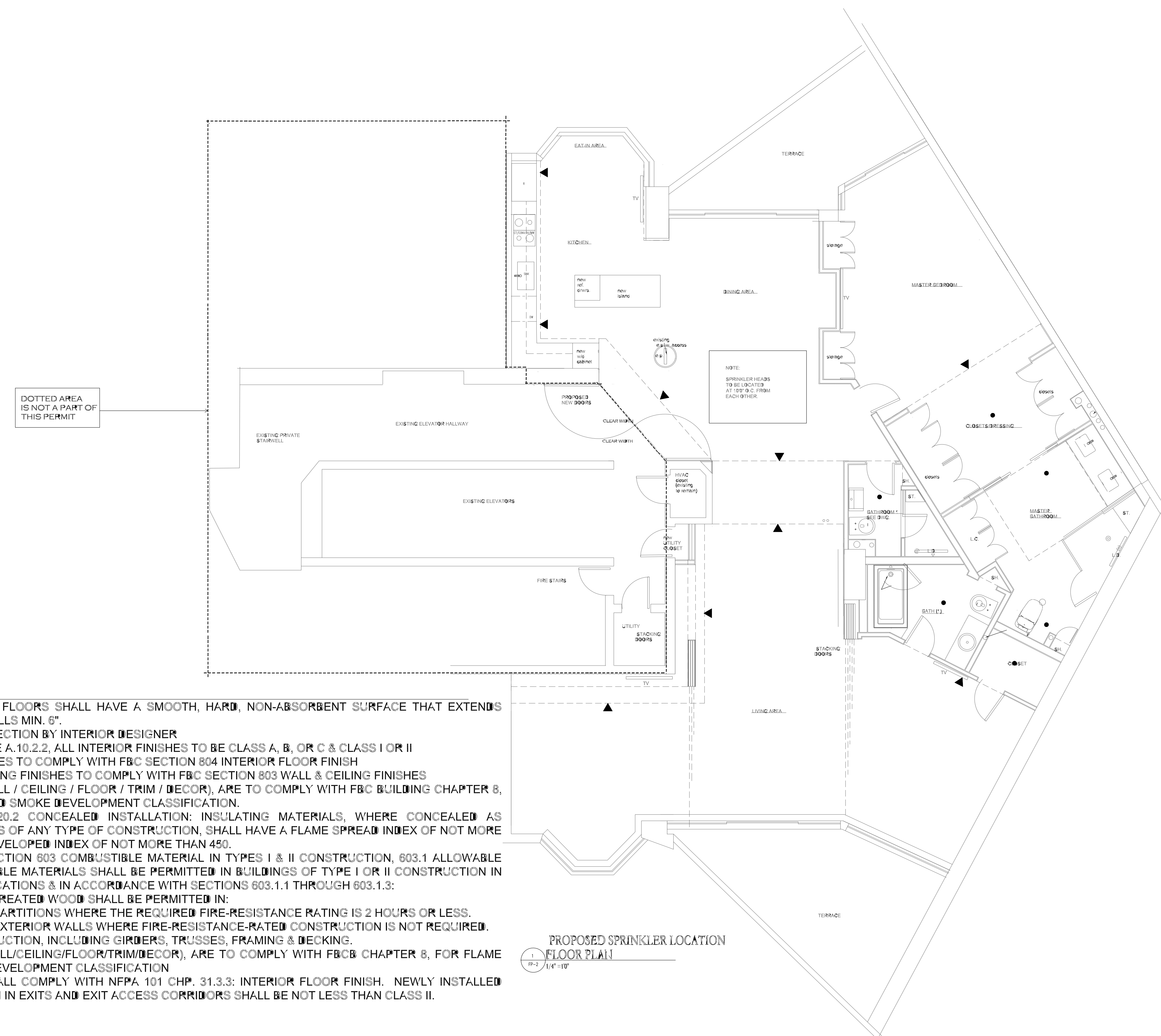
FIRE SPRINKLER
 LOCATIONS

DATE: 1.17.2024
PROJECT No: 21007
DRAWN BY: JRS
CHECKED BY: ARE
DRW No:

FP-2

FP-2

Fine Line Engineers Inc.
 Electrical, Mechanical, Plumbing
 Fire Protection, Construction Administration
 2089 W. 76TH STREET MIAMI, FL 33016
 Voice: 786.953.4901 - Fax: 786.953.4907
 E-mail: call@fineengineers.com
 GEORGE FREJO, P.E.
 REGISTERED ENGINEER NO. 25779
 STATE OF FLORIDA - CPE 30756



FINISH NOTES:

1. TOILETS & BATHROOM FLOORS SHALL HAVE A SMOOTH, HARD, NON-ABSORBENT SURFACE THAT EXTENDS UPWARD ONTO THE WALLS MIN. 6".
2. NEW PAINT COLOR SELECTION BY INTERIOR DESIGNER
3. PER FL NFPA 101, TABLE A.10.2.2, ALL INTERIOR FINISHES TO BE CLASS A, B, OR C & CLASS I OR II
4. ALL NEW FLOOR FINISHES TO COMPLY WITH FBC SECTION 804 INTERIOR FLOOR FINISH
5. ALL NEW FLOOR & CEILING FINISHES TO COMPLY WITH FBC SECTION 803 WALL & CEILING FINISHES
6. ALL NEW FINISHES (WALL / CEILING / FLOOR / TRIM / DECOR), ARE TO COMPLY WITH FBC BUILDING CHAPTER 8, FOR FLAME SPREAD AND SMOKE DEVELOPMENT CLASSIFICATION.
7. PER FBC BUILDING 720.2 CONCEALED INSTALLATION: INSULATING MATERIALS, WHERE CONCEALED AS INSTALLED IN BUILDINGS OF ANY TYPE OF CONSTRUCTION, SHALL HAVE A FLAME SPREAD INDEX OF NOT MORE THAN 25 & A SMOKE-DEVELOPED INDEX OF NOT MORE THAN 450.
8. PER FBC BUILDING, SECTION 603 COMBUSTIBLE MATERIAL IN TYPES I & II CONSTRUCTION, 603.1 ALLOWABLE MATERIALS: COMBUSTIBLE MATERIALS SHALL BE PERMITTED IN BUILDINGS OF TYPE I OR II CONSTRUCTION IN THE FOLLOWING APPLICATIONS & IN ACCORDANCE WITH SECTIONS 603.1.1 THROUGH 603.1.3:
 - 8.1. FIRE-RETARDANT-TREATED WOOD SHALL BE PERMITTED IN:
 - 8.1.1. NONBEARING PARTITIONS WHERE THE REQUIRED FIRE-RESISTANCE RATING IS 2 HOURS OR LESS.
 - 8.1.2. NONBEARING EXTERIOR WALLS WHERE FIRE-RESISTANCE-RATED CONSTRUCTION IS NOT REQUIRED.
 - 8.1.3. ROOF CONSTRUCTION, INCLUDING GIRDERS, TRUSSES, FRAMING & DECKING.
9. ALL NEW FINISHES (WALL/CEILING/FLOOR/TRIM/DECOR), ARE TO COMPLY WITH FBC CHAPTER 8, FOR FLAME SPREAD AND SMOKE DEVELOPMENT CLASSIFICATION
10. INTERIOR FINISHES SHALL COMPLY WITH NFPA 101 CHP. 31.3.3: INTERIOR FLOOR FINISH. NEWLY INSTALLED INTERIOR FLOOR FINISH IN EXITS AND EXIT ACCESS CORRIDORS SHALL BE NOT LESS THAN CLASS II.

PROPOSED SPRINKLER LOCATION
 1 FLOOR PLAN
 1/4" = 1'-0"