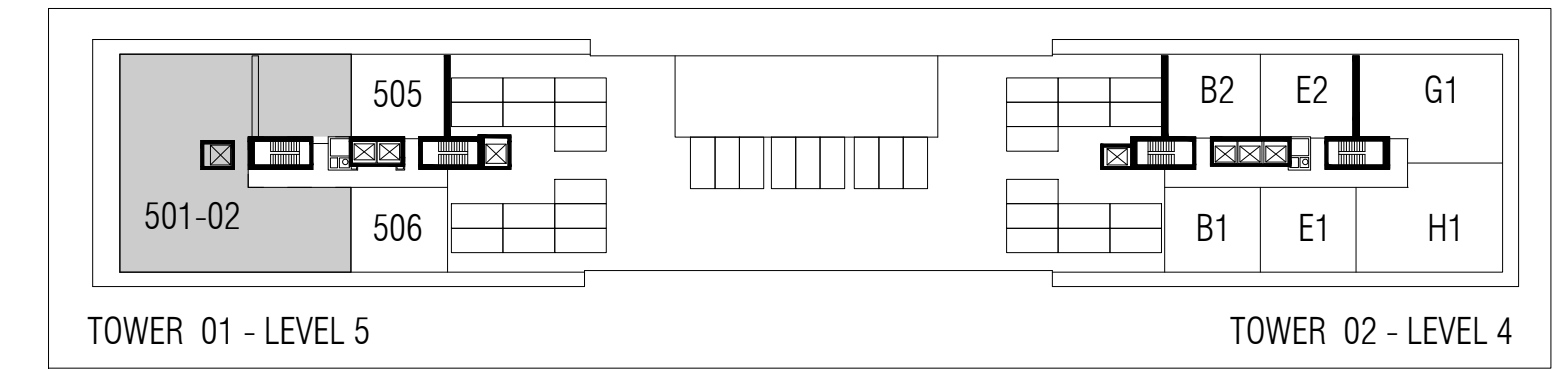


CONDO/UNIT 501/02 NEW DROP CEILING PLAN
SCALE: 1/4" = 1'-0"

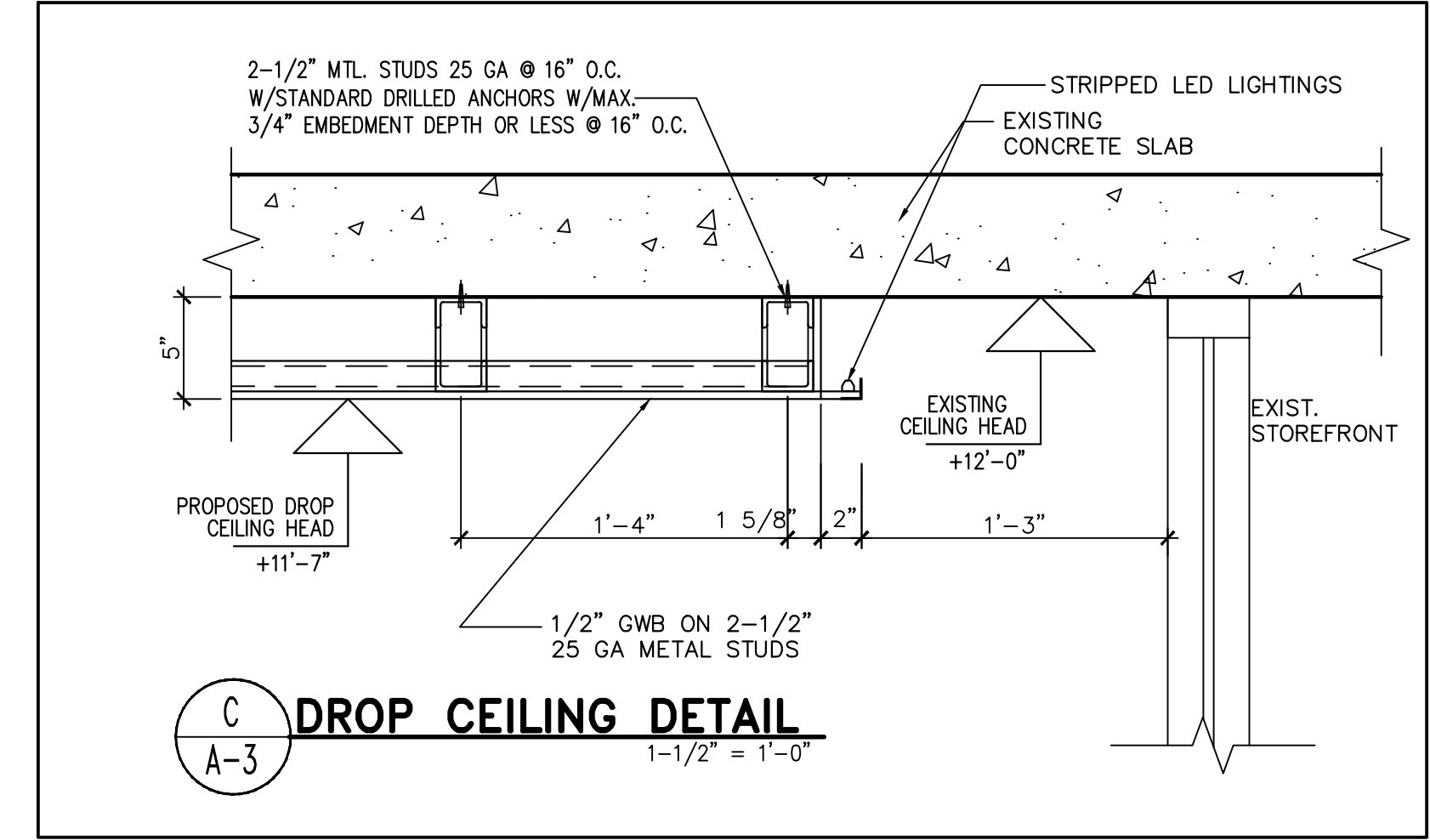
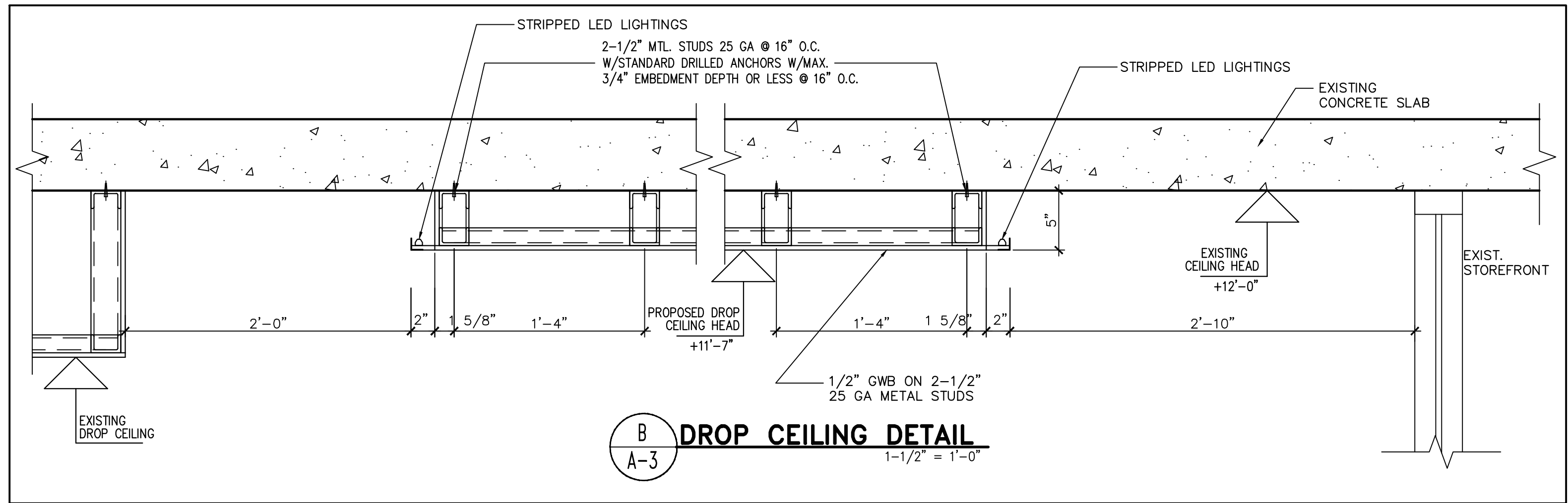
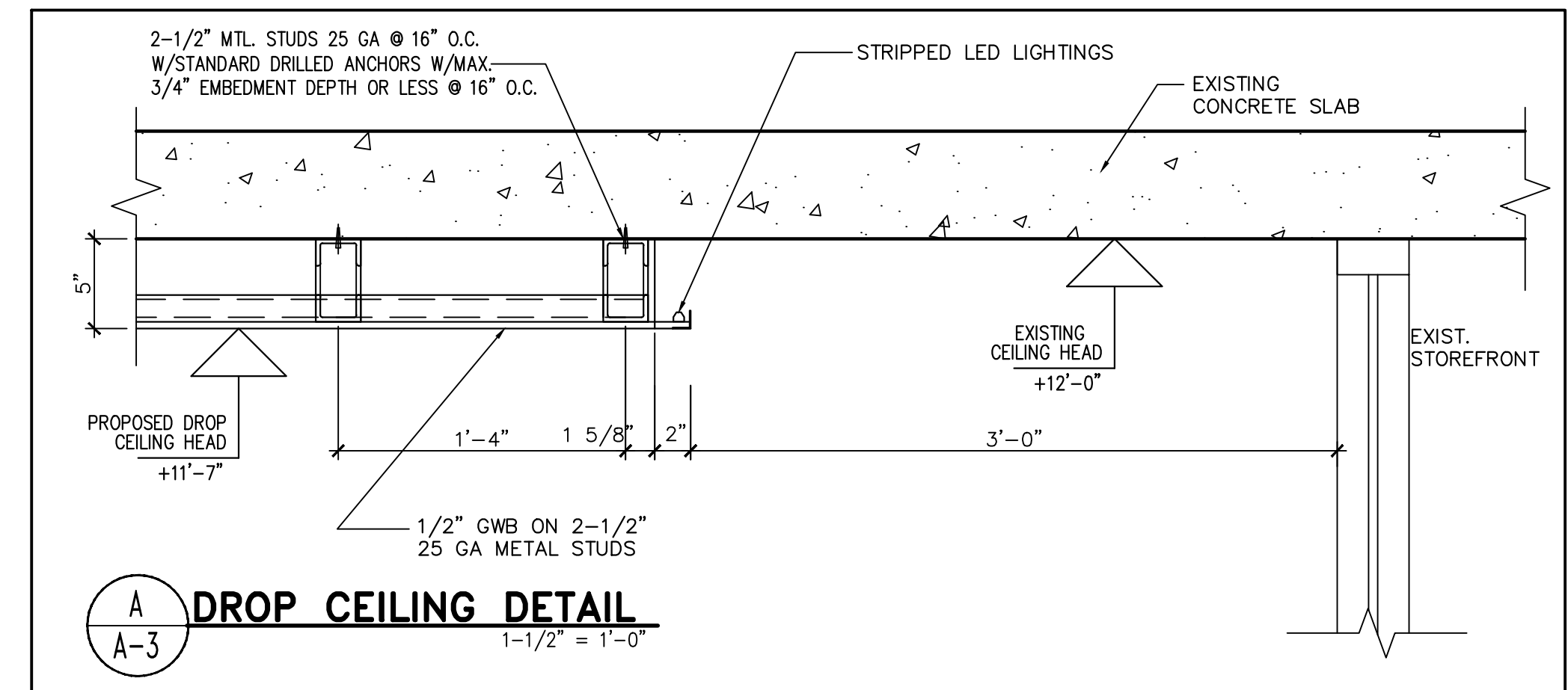
INTERIOR RENOVATION LEVEL 2
FLORIDA BUILDING CODE 2023 8th EDITION
RESIDENTIAL AND EXISTING BUILDING 2023
FLORIDA FIRE PREVENTION CODE 7th EDITION

LEGEND:

- EXISTING CONC. COLUMNS.
- EXISTING CONC. WALLS.
- EXISTING CONC. BLOCK WALLS.
- EXISTING PARTITIONS.
- EXISTING FIRE RATED PARTITIONS.
- EXISTING PARTITIONS TO BE REMOVED.
- PROPOSED NEW PARTITIONS.
- PROPOSED NEW CEILING.



LOCATION PLAN
SCALE: N.T.S.



Fine Line Engineers Inc.
Electrical, Mechanical, Plumbing
Fire Protection, Construction Administration
2089 W. 76th Street, Hialeah, FL 33016
Voice: 786-953-4901 - Fax: 786-953-4907
E-mail: cadinfo@flengineers.com

GEORGE FREJO, P.E.
REGISTERED ENGINEER NO. 32578
STATE OF FLORIDA - CA# 29796

DATE _____



WESTHAVEN
CONSTRUCTION SERVICES, INC.
2400 W 84 Street Suite 20, Hialeah, FL 33016
305-556-1416 Cell 305-979-8624

Fine Line Engineers Inc.
Electrical, Mechanical, Plumbing, Fire Protection
Construction Administration
2089 WEST 76TH STREET, HIALEAH, FLORIDA, 33016
E-mail: cadinfo@flengineers.com

NEW DROP CEILING and FINISH FOR:
Mr. C RESIDENCES TOWER T1
CONDO UNIT No 501/502
Susana Hernandez / Ignacio Pakciarz
2655 S Bayshore Drive, Coconut Grove, FL 33133

JOB No. 2405 ROD
STARTED: 05/13/24
COMPLETED: 06/03/24

REVISION	
No.	DESCRIPTION DATE

A-3

Copyright notice: These drawings, designs and ideas are the property of Westhaven Construction Services, Inc. and are protected under the copyright laws of Florida. No part thereof shall be copied, or used in connection with any other work than for the specific project for which they have been prepared without written consent of Westhaven Construction Services, Inc.