



Specifications for Project

TORRE SUR

WESTHAVEN CONSTRUCTION SERVICES.INC, ROGER

Salesperson

Alina Echavarri

Alina.Echavarri@fuseappliances.com

i REMINDER: To ensure a smooth project it is the responsibility of the homeowner / purchaser of appliances for this project to share all the attached specifications to ensure the cabinet provider, contractor, or any other tradesperson have all the information required to complete their work accurately.

Specifications are subject to change. If any tradesperson has questions regarding the attached specifications please contact our sales associate.

TORRE SUR

WESTHAVEN CONSTRUCTION SERVICES.INC, ROGER

TORRE SUR

100 SOUTH POINTE DR

UNIT 2401



Fuse Specialty Appliances

fuseappliances.com

Alina Echavarri

Builder Account Manager

305.433.6189

Quote **MI42500959**

Version 1.1

Mon, Mar 9, 2026

6:11 PM EDT



enterprise.steelcod.com/sp/fuse/1DVBMJ8D

<i>Contents</i>	<i>Page no.</i>
T36IB100SP Thermador Refrigeration 36" Freedom Built-in Bottom Freezer Refrigerator, 2 Drawer - Panel Ready	4-8
CIT304BB Thermador Cooktop Heritage® Induction Cooktop 30" Black, Without Frame	9-10
MEDMC301WS Thermador Wall Oven 30" Masterpiece® Combination Speed Oven	11-13
DEU2450W/ADA/R Sub-Zero Refrigeration 24" Designer Undercounter ADA Height Wine Storage - Panel Ready	14-17
SGV78C53UC Bosch Dishwasher 24" 800 Series Custom Panel ADA-compliant Dishwasher	18-20

Note about page numbers:

Because the original manufacturer's documents are not altered in any way, the page numbers displayed on the page may not correspond to the page number within this package.

All specifications are intended for initial planning purposes only.

Manufacturers reserve the right to change specifications at any time without notice. Always consult the installation instructions found on the manufacturer's website or included with the appliances before installation.

WKE100HWA

21-26

LG Washer-Dryer

Single Unit Front Load LG WashTower™ with Center Control™ 4.5 cu. ft. Washer and 7.4 cu. ft. Electric Dryer

Note about page numbers:

Because the original manufacturer's documents are not altered in any way, the page numbers displayed on the page may not correspond to the page number within this package.

All specifications are intended for initial planning purposes only.

Manufacturers reserve the right to change specifications at any time without notice. Always consult the installation instructions found on the manufacturer's website or included with the appliances before installation.

T36IB100SP

36-INCH BUILT-IN BOTTOM FREEZER REFRIGERATOR, 2 DRAWER

FREEDOM® COLLECTION, PANEL-READY



Also Available In:
 T36BB110SS – Pre-Assembled with Masterpiece® Handles
 T36BB120SS – Pre-Assembled with Professional Handles

FEATURES & BENEFITS

- ThermaFresh® Pro drawers optimize temperature and humidity, preserving fresh foods longer than traditional drawers
- Intuitively customize settings with the redesigned full-color touchscreen control panel. Wi-Fi connectivity enables additional control settings with the Home Connect® app.
- Flex drawer can be utilized as an additional refrigerator or freezer space for maximum versatility
- Elevated ice maker produces signature Diamond Ice, and an internal water dispenser provides convenience
- See what's inside without opening the door with cameras located in the refrigerator compartment

STYLE

Door Style	Custom Panel
Reversible Door	Yes
Handle Style	Custom Handle
Interior Finish	Stainless Steel

INNOVATION

Wi-Fi-Enabled for Control with Home Connect® App	Yes
Remote Monitoring and Control	Yes
Remote System Upgrade	Yes
2 Drawer Design	Yes
Diamond Ice (Small) and Cocktail Ice (Large)	No
Camera in the Appliance	3

PERFORMANCE

ThermaFresh® Pro	Yes
Dual Compressor	Yes
Dual Evaporators	Yes
Quick Ice	Yes
Automatic Defrosting	Yes

Modes

Eco, Sabbath, Shopping, Vacation, Demo, Quick Ice, SuperCool, SuperFreeze

Internal Water Dispenser	Yes
One Touch BottleFill	Yes
Water Filter (6 Months)	Yes
Air Fresh Filter	Yes
Ethylene Filter (6 Months)	2

CAPACITY AND STORAGE

Total Capacity (cu. ft.)	18.8 cu. ft.
Refrigerator Capacity (cu. ft.)	12.7 cu. ft.
Freezer Capacity (cu. ft.)	6.1 cu. ft.
Ice Maker Drawer Capacity (cu. ft.)	0.92 cu. ft.
ThermaFlex™ Convertible Drawer Capacity (cu. ft.)	2.2 cu. ft.
Full-Extension Freezer Storage Drawer	2
Full-Extension Icemaker Drawer	1
Full-Extension ThermaFlex™ Convertible Drawer	1

Convertible Drawer Modes

Freezer (0° F), Soft Freeze (10° F), Meat/Fish (30° F), Beverage (34° F), Deli and Cheese (34° F), Fridge (37° F), Pastry (39° F)

Full Extension Thermafresh® Pro Crisper Drawers	2
---	---

ThermaFresh® Crisper Drawer Modes (° F/Humidity)

Vegetables (32° F/High), Fruit (32° F/Low) Meat (30° F/Low), Fish (30° F/Low), Deli (34° F/Low), Cheese (35° F/Low), Beverages (34° F/Low), Mixed (32° F/Low), Charcuterie (35° F/Low)

Storage Shelves	4 Adjustable, 1 Fixed
Hanging Deli Drawer	1
Standard Door Bins	2 Adjustable
Gallon Door Bins	1 Adjustable

GENERAL FEATURES

Color Touch Screen Control Panel	Yes
Water Filter Replacement Indicator	Yes
Dual Ice Makers with Diamond Ice and Cocktail Ice	No
Ice Production (24 Hrs.), Diamond Ice (lbs.)	4.5 lbs.
Ice Production (24 Hrs.) Cocktail Ice (lbs.)	N/A
Ice On/Off	Yes
Quick Ice	Yes
Ice Storage Capacity (lbs.)	4 lbs.
LED Interior and Drawer Lighting	Yes
Independent Cooling Systems	2

T36IB100SP

36-INCH BUILT-IN BOTTOM FREEZER REFRIGERATOR, 2 DRAWER

FREEDOM® COLLECTION, PANEL-READY



GENERAL FEATURES (CONTINUED)

Open Door Assist	No
Door Alarm	Yes
Childproof Lock	Yes
Cooling System	Multi-Air Flow
Maximum Sound Level	39 dBA
SoftClose Door	Yes
SoftClose Drawers	Yes
Star-K Certified Sabbath Mode	Yes
ENERGY STAR® Certified	Yes
Annual Energy Consumption	580 kWh / yr*

OPERATING TEMPERATURE

Refrigerator: 33°F (1°C) to 43°F (6°C)
Freezer Drawers: -7°F (-22°C) to 6°F (-14°C)
ThermaFlex™ Drawer: 7 Preset Modes
ThermaFresh® Pro Crisper Drawers: 10 Preset Modes
SuperCool: 34°F (1°C) for Approximately 8 Hours
SuperFreeze®: -15°F (-26°C) for Approximately 8 Hours

INSTALLATION FEATURES

Four Point Front Adjustable with 4 Wheels	Yes
Attachment Method to Cabinetry	
4 Fixation Brackets, Fixed at 4 Corners of Appliance, No Visible Screws	
Front Serviceable	Yes
Anti-tip Bracket Included	Yes
Frame Kit Included	Yes

TECHNICAL SPECS

Required Power Supply	110-120 V, 60 Hz, 15 Amp
Plug Type	3-Prong
Power Cord Length (Inches)	118"

DIMENSIONS AND WEIGHT

Overall Width (Inches)	35 1/4"
Overall Height (Inches)	83 9/16" Min. – 85 1/2" Max.
Overall Depth Without Panel or Handles (Inches)	24"
Required Cutout Size (HxWxD) (Inches)	84" x 36" x 25"
Net Weight (Approx.) (lbs.)	485 lbs.
Gross Weight (Approx.) (lbs.)	527 lbs.

*Estimated annual energy consumption. Exact usage may vary.

OPTIONAL ACCESSORIES

Stainless Steel Panel Kit (3 Panels)	TFL36IB100
Professional Handle Kit 3 Qty – 36" Door Handles	PR3600IB10
Masterpiece® Handle Kit 3 Qty – 36" Door Handles	MS3600IB10
Frame Kit	FRAMEKIT30
Combination Kit	COMBIKIT10
Replacement UltraClarityPro® Water Filter	REPLFLTR55
Replacement Ethylene Starter Kit (Part No.)	17006999
Replacement Ethylene Filter Packets (Part No.)	17007000
Water Filter Bypass (Part No.)	11049963

WARRANTY

Limited Warranty, Parts & Labor	2 Years
Limited Warranty, Sealed System and Compressor, Parts & Labor	6 Years
Limited Warranty, Sealed System and Compressor, Parts Only	12 Years

SUPPLEMENTAL MATERIAL

CAD File	Click Here to Download
Installation Manual	Click Here to Download
Reversible Door Installation Manual	Click Here to Download
Use & Care Guide	Click Here to Download
Warranty	Click Here to Download
Energy Guide	Click Here to Download
Home Connect® Quick Start Guide	Click Here to Download

T36IB100SP

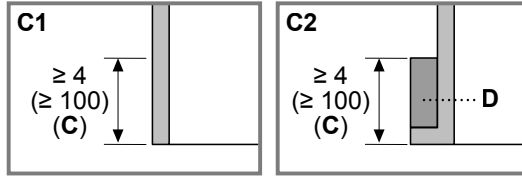
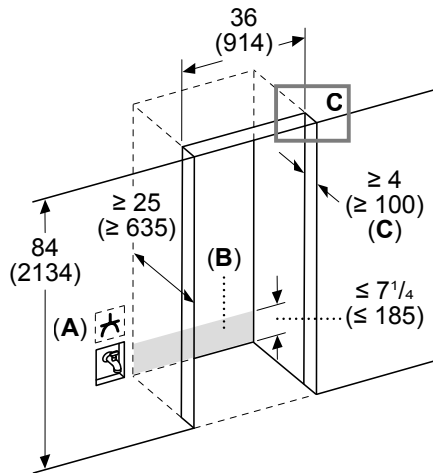
36-INCH BUILT-IN BOTTOM FREEZER REFRIGERATOR, 2 DRAWER

FREEDOM® COLLECTION, PANEL-READY



FLUSH INSTALL CUTOUT DIMENSIONS

Measurements in inches (mm)



- A: Socket
- B: Area for water and electric line routing
- C: Furniture return
 - C1: Frameless cabinet
 - C2: Framed cabinet
- D: Filler

PLANNING NOTES

Depth: The refrigerator is fully flush integrated when installed in a 25" (635mm) deep cabinets with a typical panel thickness of 3/4" (19mm). Recess depth depends on kitchen design and panel thickness.

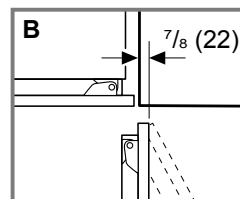
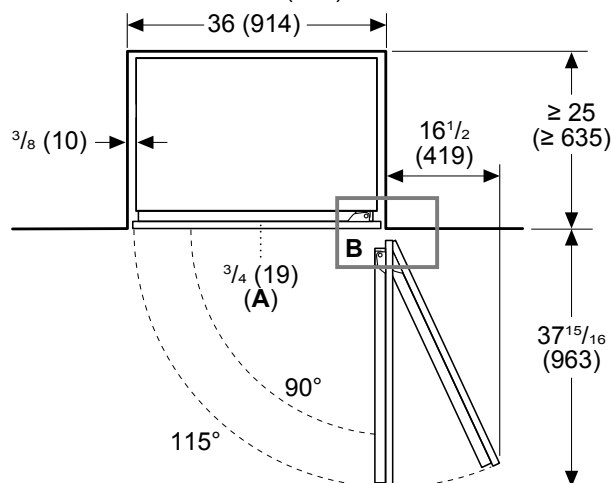
Electrical Supply: The electrical supply outlet (A) is recommended to be located in an adjacent cabinet for safety and serviceability. If it is not possible due to the construction to connect the appliance to a power outlet next to it (A), connect the appliance to a power outlet behind the appliance (B). This alternative position of the power outlet is permissible only if you can switch off the outlet with a circuit breaker in the fuse box.

Water Supply: A cold water supply is required for water dispenser and icemaker operation. Water pressure must be between 29 and 116 p.s.i. The water supply is recommended to be located in an adjacent cabinet or other area that can be accessed after the appliance is installed.

Furniture Return: The interior sides of the furniture return (C) will be partially visible when the refrigerator door is opened. Top and side returns should be finished to match the exterior furniture at a minimum depth of 4" (102 mm). Ensure that the side walls of the cutout (C) are completely flush to a depth of at least 4" (102 mm).

FLUSH INSTALL TOP VIEW CLEARANCES

Measurements in inches (mm)



A: Panel

PLANNING NOTES

Door Panels & Handles: Clearance dimensions are based on a door panel (A) thickness of 3/4" (19mm). Additional clearances must be added for handles and door panels thicker than 3/4" (19mm).

Clearance Requirements: The required clearances for the maximum door opening angle of 115° should be followed. The minimum required clearance to fully access all compartments is 90° door opening (B).

T36IB100SP

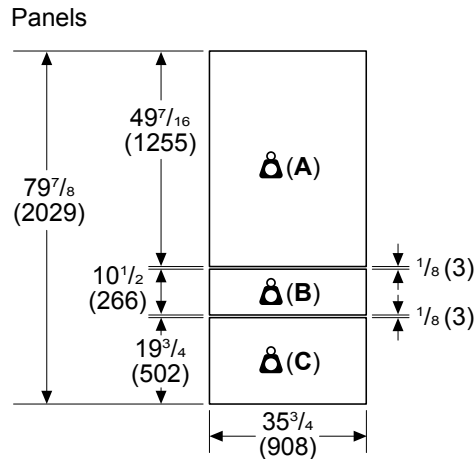
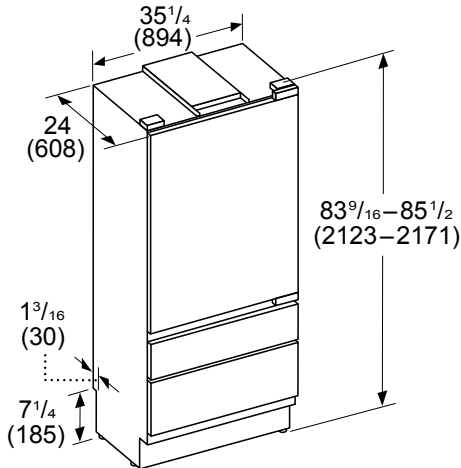
36-INCH BUILT-IN BOTTOM FREEZER REFRIGERATOR, 2 DRAWER

FREEDOM® COLLECTION, PANEL-READY



PRODUCT AND PANEL DIMENSIONS

Measurements in inches (mm)



A: Max. weight 103 lbs (47 kg) per panel

B: Max. weight 121 lbs (55 kg) per panel

C: Max. weight 66 lbs (30 kg) per panel

PLANNING NOTES

Adjustable Height: The appliance height is adjustable. Recommended height for a standard 84" niche is 83 7/8". The minimum height with leveling legs fully retracted is 83 9/16". The maximum height with leveling legs fully extended is 85 1/2".

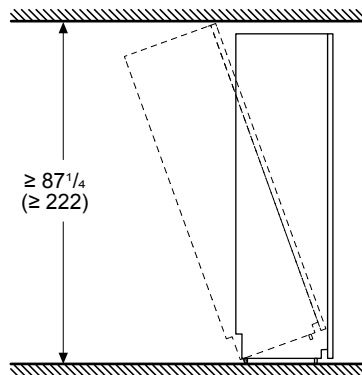
Rear Appliance Recess: The recessed area at the base can be used for routing water and electric supply lines to the appliance.

TIPPING RADIUS CLEARANCES

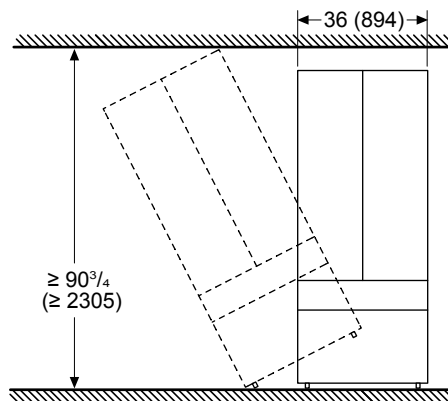
PLANNING NOTES

Be sure there is adequate ceiling height to stand the refrigerator upright when it is moved into place. The dolly wheel height must be added to the tipping radius when a dolly is used.

Measurements in inches (mm)
Front Tipping Radius



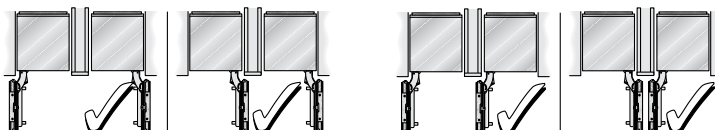
Measurements in inches (mm)
Side Tipping Radius



SIDE BY SIDE APPLIANCE INSTALLATION

PLANNING NOTES

A bottom freezer refrigerator and another column refrigeration appliance (ie. Wine Preservation Column) can be installed together only if a partition—minimum 5/8" (16mm) is placed between the two appliances. Ensure that the door panel thickness (including handles) as well as the swivel range are accounted for to prevent damage if the doors are opened at the same time.



T36IB100SP

36-INCH BUILT-IN BOTTOM FREEZER REFRIGERATOR, 2 DRAWER

FREEDOM® COLLECTION, PANEL-READY



ACCESSORIES (OPTIONAL)



REPLFLTR55
(PART NO. 11032531)
UltraClarityPro® Water Filter



17006999
Ethylene Filter Starter Kit



17007000
Ethylene Filter Refill



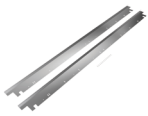
PR3600IB10
Professional Handle Kit
3 – 36" Door Handles



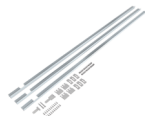
MS3600IB10
Masterpiece® Handle Kit
3 – 36" Door Handles



TFL36IB100
36" Stainless Steel Panel Set



FRAMEKIT30
Frame Kit



COMBIKIT10
Combination kit for use when
installing two bottom freezer
refrigerators side-by-side.

These warranties give you specific legal rights and you may have other rights that vary from state to state. Limited warranty from date of delivery. For complete warranty details, refer to your Use & Care manual, or ask your dealer.

Specifications are for planning purposes only. Refer to installation instructions and consult your countertop supplier prior to making counter opening. Consult with a heating and ventilation engineer for your specific ventilation requirements. For the most detailed information, refer to installation instructions accompanying product or write to Thermador indicating the model number. Specifications are correct at time of printing. Thermador reserves the right to change product specifications or design without notice. Some models are certified for use in Canada. Thermador is not responsible for products that are transported from the U.S. for use in Canada.

CIT304BB

30-INCH HERITAGE INDUCTION COOKTOP

MASTERPIECE® COLLECTION BLACK GLASS, FRAMELESS



FEATURES & BENEFITS

- 11" Heating Zone: accommodate large pots and pans with the ultra-spacious 11" heating zone and powerful at 3,600 W
- 17 Power Levels: provide precise cooking with an illuminated touch control panel that is easy to clean
- The Favorite button: allows you to access your preferred cooking functions through the Home Connect® app with a single touch, including features like keep warm, PanBoost® and hood control
- PowerBoost®: increases element power by up to 50%, saving time to heat up pots or boil water quickly.
- CookSmart®: ensures optimal results with 11 pre-set temperature levels programmed for cooking different types of food
- Wi-Fi Enabled: allows for convenient remote monitoring with access to cooktop programs and settings via the Home Connect® app

GENERAL PROPERTIES

Controls	Touch Controls
----------	----------------

ELEMENT PERFORMANCE

Power of Front Left Heating Element	1,400 W
Power of Front Left Heating Element (In Boost)	2,200 W
Power of Back Left Heating Element	2,200 W
Power of Back Left Heating Element (In Boost)	3,600 W
Power of Front Right Heating Element	1,400 W
Power of Front Right Heating Element (In Boost)	2,200 W
Power of Back Right Heating Element	2,600 W
Power of Back Right Heating Element (In Boost)	3,600 W
Burners With Booster	All 4

ELEMENT SIZE

Dimension of Front Left Heating Element	6"
Dimension of Back Left Heating Element	9"
Dimension of Back Right Heating Element	11"
Dimension of Front Right Heating Element	6"

TECHNICAL DETAILS

Watts (W)	6,240 / 7,200 W
Circuit Breaker (A)	30 A
Volts (V)	208 / 240 V
Frequency (Hz)	50 / 60 Hz
Plug Type	No Plug
Conduit	37" Flexible 3-Wire
Energy Source	Electric

DIMENSIONS & WEIGHT

Overall Appliance Dimensions (HxWxD) (in)	3/8" + 3 7/8" x 31" x 21 1/4"
Required Cutout Size (HxWxD) (in)	3 7/8" x 28 3/4" x 19 7/8"
Minimum Distance From Counter Front (in)	2 1/4"
Minimum Distance From Rear Wall (in)	2"
Net Weight (lbs)	34 lbs

WARRANTY

Limited Warranty, Entire Appliance, Parts and Labor	2 Year
---	--------

*To be fully ADA compliant, these units must be installed according to ADA guidelines. Please check current ADA requirements for guidance on installation.

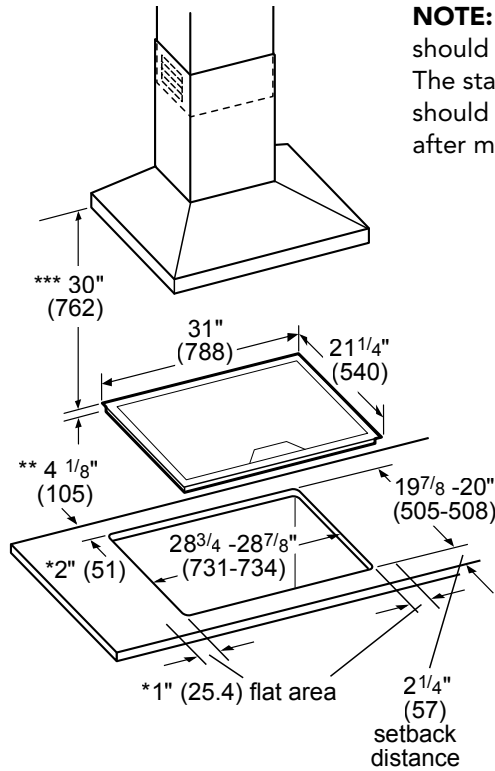
CIT304BB

30-INCH HERITAGE INDUCTION COOKTOP

MASTERPIECE® COLLECTION BLACK GLASS, FRAMELESS

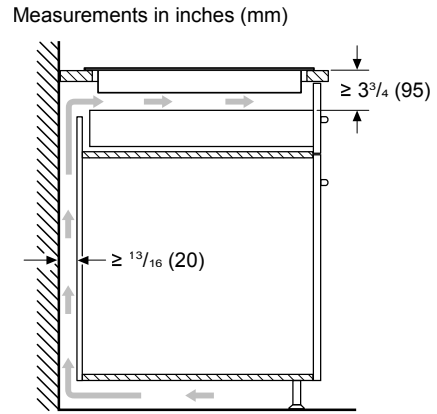


30-INCH COOKTOP AND CUTOUT DIMENSIONS



NOTE: The work surface should be horizontal and level. The stability of the countertop should be confirmed even after making the cutout.

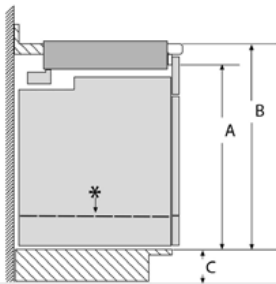
VENTILATION CLEARANCE REQUIREMENTS



- * Minimum distance from cutout to the wall
- ** Installed depth includes 1" (26 mm) needed air gap
- *** Minimum distance between the cooktop surface and lower edge of exhaust hood

measurements in inches (mm in brackets)

INSTALLATION ABOVE A THERMADOR WALL OVEN



Product Type	A Inches (mm)	B min. Inches (mm)	C max. Inches (mm)
Conventional Oven	28 1/4 (718)	31 1/4 (794) min.	4 3/4 (121)
Steam Oven	25 1/16 (636)	28 1/16 (713)	7 15/16 (202)
Steam Oven with 4" Storage Drawer*	28 1/4 (718)	31 1/4 (794) min.	4 3/4 (121)
Microwave / Speed Oven	19 1/4 (488)	24 (609) min.	12" (306)
Microwave / Speed Oven with Warming drawer*	28 1/4 (718)	31 1/4 (794) min.	4 3/4 (121)

When installing an oven or oven with a drawer in combination with a cooktop, a minimum distance between the cabinet floor and countertop (B) is required. Reference the table for dimensions. Refer to the oven installation guide for all other measurements.

These warranties give you specific legal rights and you may have other rights that vary from state to state. Limited warranty from date of delivery. For complete warranty details, refer to your Use & Care manual, or ask your dealer.

Specifications are for planning purposes only. Refer to installation instructions and consult your countertop supplier prior to making counter opening. Consult with a heating and ventilation engineer for your specific ventilation requirements. For the most detailed information, refer to installation instructions accompanying product or write to Thermador indicating the model number. Specifications are correct at time of printing. Thermador reserves the right to change product specifications or design without notice. Some models are certified for use in Canada. Thermador is not responsible for products that are transported from the U.S. for use in Canada.

MEDMC301WS

30-INCH DOUBLE COMBINATION BUILT-IN OVEN WITH SPEED OVEN

MASTERPIECE® COLLECTION



FEATURES & BENEFITS

- Specially crafted gray glass on stainless steel for a luxurious look and finish
- Designed for flexibility—standard or flush installation into kitchen cabinets
- Speed oven with microwave capability can broil and convection bake
- Large commercial style rotisserie with 12 pound capacity
- Multi-point Meat Probe to better capture temperature in roast and poultry

ACCESSORIES (INCLUDED)

Upper Cavity: Metal Turntable, Rack, Ceramic Tray; Lower Cavity: 3 Telescopic Racks, Multi-point Meat Probe, Rotisserie

WARRANTY

Limited Warranty Parts and Labor	2 Year
----------------------------------	--------

GENERAL PROPERTIES

Heating Modes – Upper Cavity
 36 CookSmart® Auto Programs (including True Convection, Speed Convection, Broil, Convection Broil, Heating Programs, Keep Warm) and Microwave Programs

Heating Modes – Lower Cavity
 (16) Bake, Broil, Max Broil, Roast, Convection Bake, Convection Broil, Max Convection Broil, Convection Roast, Proof, Warm, Pizza, True Convection, Dehydrate, Speed Convection, Slow Roast, Rotisserie

Sabbath	Yes
Cleaning Type – Lower Cavity	Easy Clean and Self Clean
Telescopic Rack(s)	3
Illumination Type	Upper Cavity LED Lower Cavity Halogen
Interior Lights	Upper Cavity 1 Lower Cavity 2
Home Connect® (Wi-Fi Enabled)	Yes, Lower Oven Only

OVEN PERFORMANCE

Microwave Power	1,000 W
Bake / Broil Element	Upper Cavity 600 W / 1,750 W Lower Cavity 2,400 / 1,000 / 3,800 W
Convection Element	Upper Cavity 1,700 W Lower Cavity 2,000 W

TECHNICAL DETAILS

Watts	10,200 W
Circuit Breaker	50 A
Volts; Frequency	240 / 208 V; 60 Hz
Plug Type	Fixed Connection, No Plug
Conduit	60" 4-Wire
Energy Source	Electric

DIMENSIONS & WEIGHT

Overall Appliance Dimensions (HxWxD)	49" x 29 3/4" x 24 1/2"
Trim Overlaps (Top – Sides – Bottom)	1/2" – 9/16" – 0"
Required Cutout Size (HxWxD) – Standard	48 1/2" x 28 1/2" x 23 1/2"
Required Cutout Size (HxWxD) – Flush	49 1/8" x 30" x 24 1/2"
Speed Oven Capacity	1.6 cu. ft.
Oven Capacity	4.5 cu. ft.
Overall Lower Oven Interior Dimensions (HxWxD)	17 3/4" x 24" x 17 7/8"
Usable Lower Oven Interior Dimensions (HxWxD)	13 1/2" x 21 5/8" x 16 1/4"
Net Weight	267 lbs

MEDMC301WS

30-INCH DOUBLE COMBINATION BUILT-IN OVEN WITH SPEED OVEN

MASTERPIECE® COLLECTION



30-INCH DOUBLE COMBINATION OVEN WITH SPEED OVEN

Combination Oven with Microwave or Speed Oven

measurements in inches (mm)

Door Handle Depth*
Masterpiece Series Handle

*Protrusion of handle from door skin

Combination Oven with Microwave or Speed Oven

measurements in inches (mm)

* Junction box may be installed above, beneath, right or left of the unit within range of the power cord.

Combination Oven with Microwave or Speed Oven, flush mount installation
Top View Bottom Hinge Door

measurements in inches (mm)

Side View-Combination Oven with Microwave or Speed Oven

measurements in inches (mm)

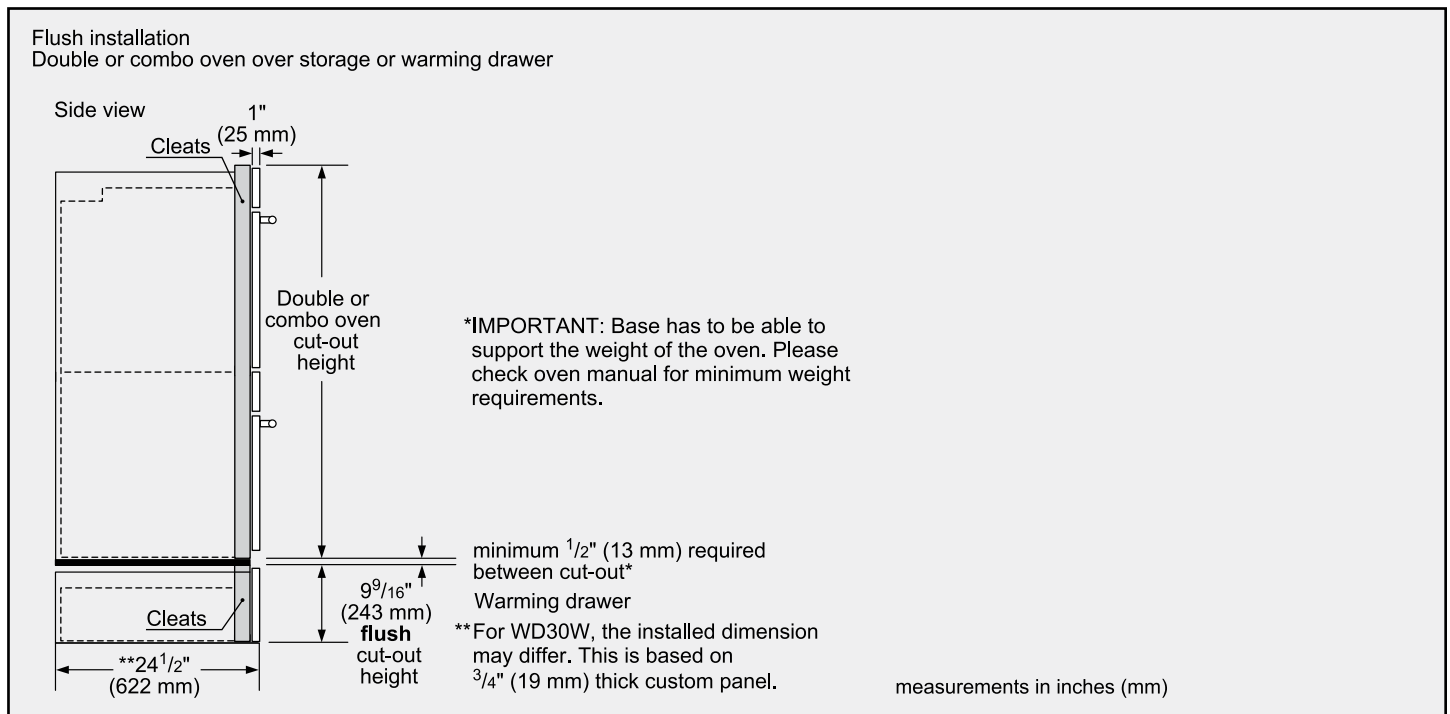
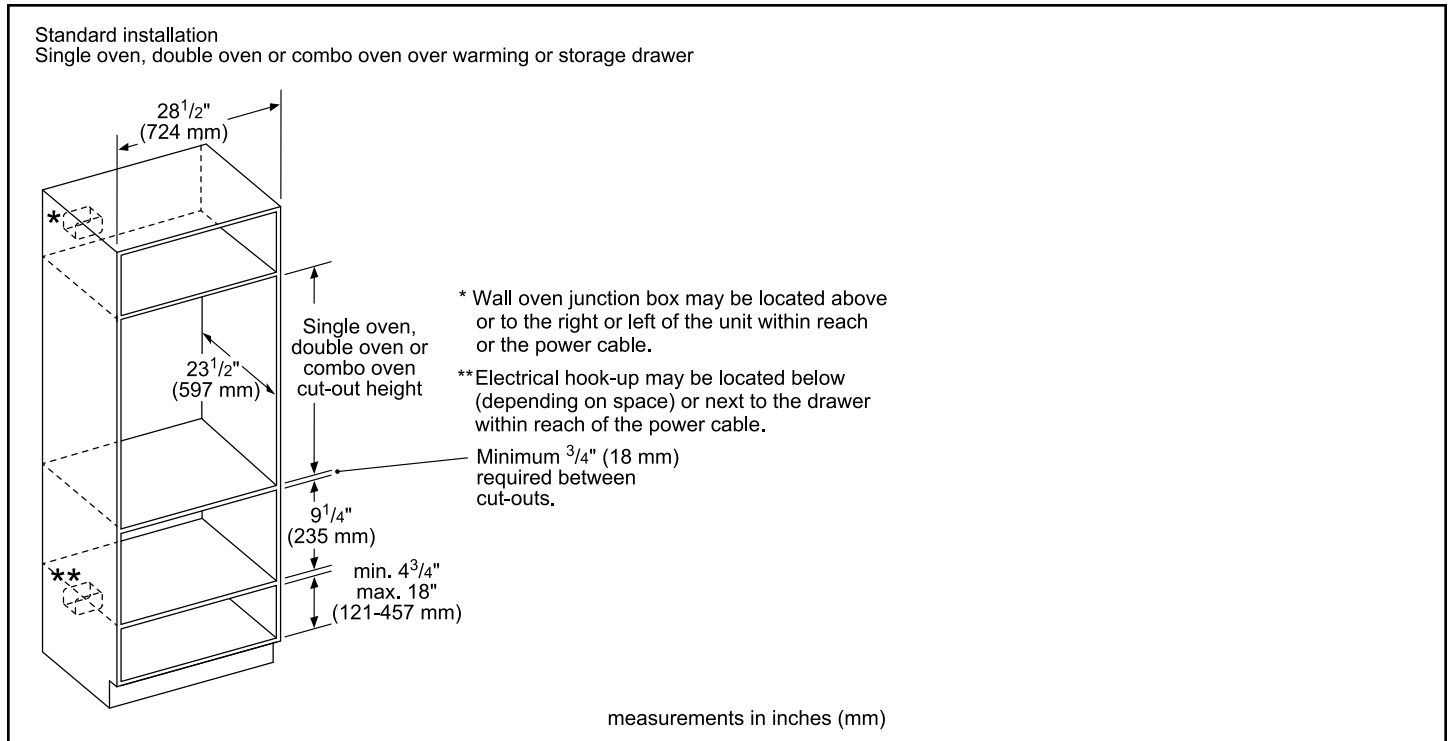
MEDMC301WS

30-INCH DOUBLE COMBINATION BUILT-IN OVEN WITH SPEED OVEN

MASTERPIECE® COLLECTION



INSTALLATION DETAILS



These warranties give you specific legal rights and you may have other rights that vary from state to state. Limited warranty from date of delivery. For complete warranty details, refer to your Use & Care manual, or ask your dealer.

Specifications are for planning purposes only. Refer to installation instructions and consult your countertop supplier prior to making counter opening. Consult with a heating and ventilation engineer for your specific ventilation requirements. For the most detailed information, refer to installation instructions accompanying product or write to Thermador indicating the model number. Specifications are correct at time of printing. Thermador reserves the right to change product specifications or design without notice. Some models are certified for use in Canada. Thermador is not responsible for products that are transported from the U.S. for use in Canada.

DEU2450W/ADA



FEATURES

Fully customizable exterior—accepts custom panels for an integrated look within cabinetry or stainless-steel accessory panels and handles to coordinate with other Sub-Zero, Wolf, and Cove appliances

Seamlessly integrating anywhere, undercounter wine storage adds comfort to your master suite, creates a corner for libations in the study—the options are endless

ADA height compatible, offering additional handleless-design flexibility

42-bottle capacity

Intuitive, on-door touch control panel offers ergonomic, convenient access to settings

Precision temperature control to within one degree of setpoint preserves wine at its optimal temperature

Full-extension wine racks provide easy access to standard-size bottles, half bottles, and magnums without agitating others

UV-resistant glass door shields wine from harmful light

Soft-on LED lighting fully illuminates the interior when the door is open and can be adjusted to four unique stand-by accent lighting settings

Inventory tile system aids collection organization

Control your appliance from wherever you are using our convenient Owner's App—adjust temperatures, be notified of a door left ajar, or receive remote service diagnostics

ACCESSORIES

Custom Panel Lock Kit

Dual Install Kit - Handle-to-Handle

Pro Handle

Stainless Steel Dual Kickplate - 48"

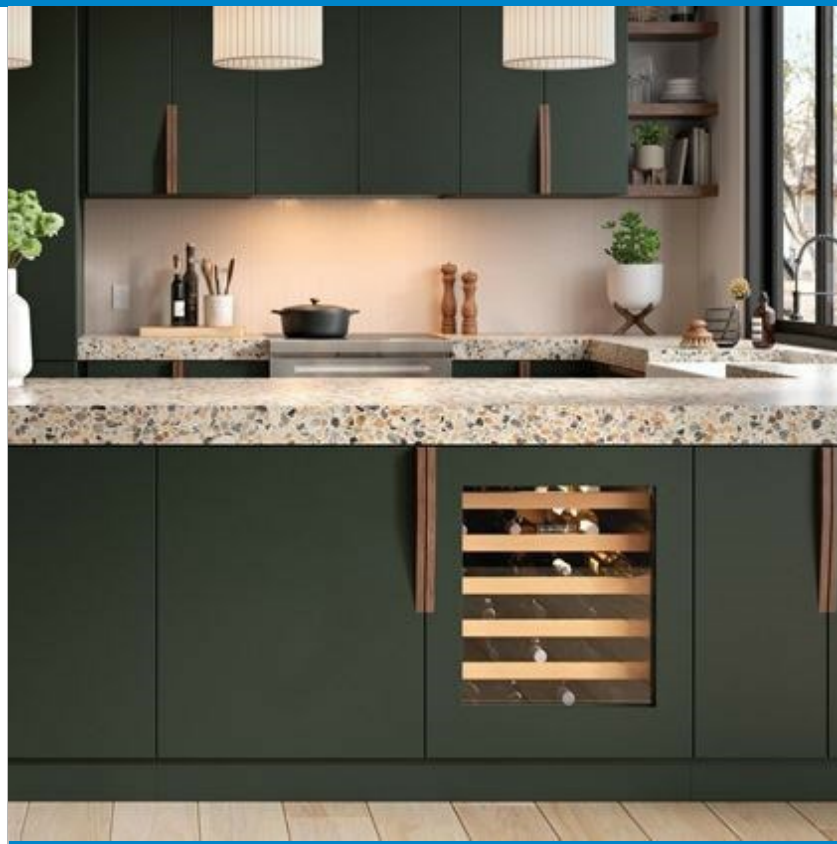
Tubular Handle

Wine Inventory Tiles

Wine Inventory Tiles - Writable

ADA Height Stainless Steel Glass Door Panels

Accessories are available through an authorized dealer.
For local dealer information, visit subzero-wolf.com/locator.



HANDLE ACCESSORIES

PRO



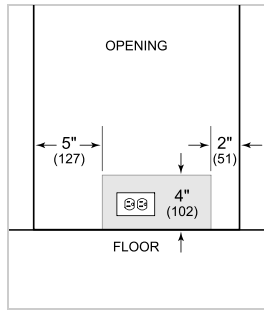
TUBULAR



PRODUCT SPECIFICATIONS

Model	DEU2450W/ADA
Dimensions	24"W x 32 1/2"H x 23 1/8"D
Door Clearance	26 1/2"
Weight	160 lbs
Electrical Supply	115 VAC, 60 Hz
Electrical Service	15 amp dedicated circuit
Wine Storage Capacity	42 Bottles

ELECTRICAL

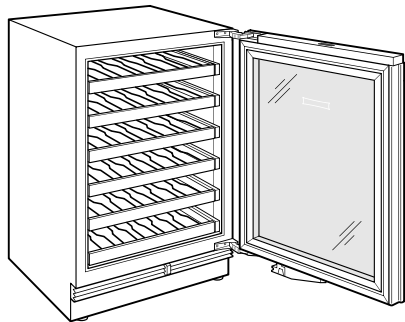


NOTE: The electrical outlet must be positioned with the grounding prong to the right of the thinner blades.

PANEL SPECIFICATIONS For complete panels specifications including width/height, weight requirements and thickness requirements visit subzero-wolf.com/reveal.

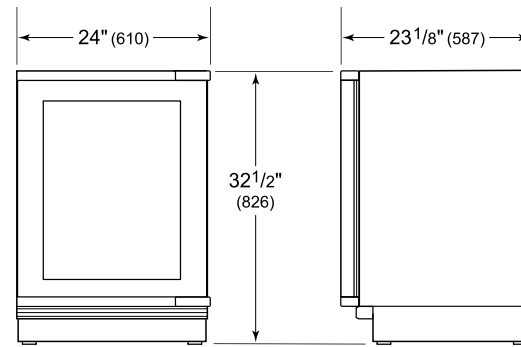
NOTE: Dimensions in parenthesis are in millimeters unless otherwise specified

INTERIOR VIEW

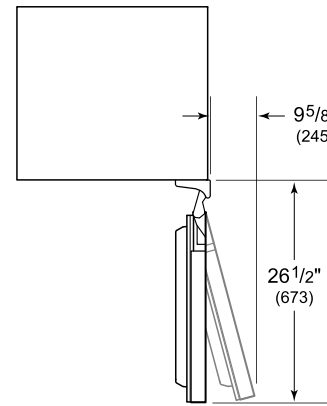


This illustration is intended for interior reference only and may not represent the exterior of the model being specified.

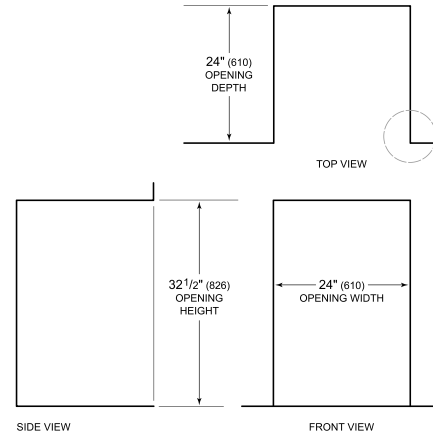
DIMENSIONS



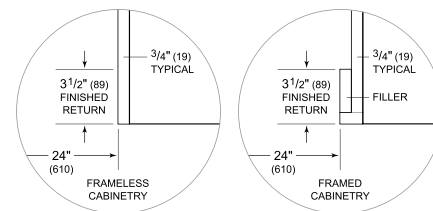
HEIGHT DIMENSIONS ± 1/2" (13)



STANDARD INSTALLATION

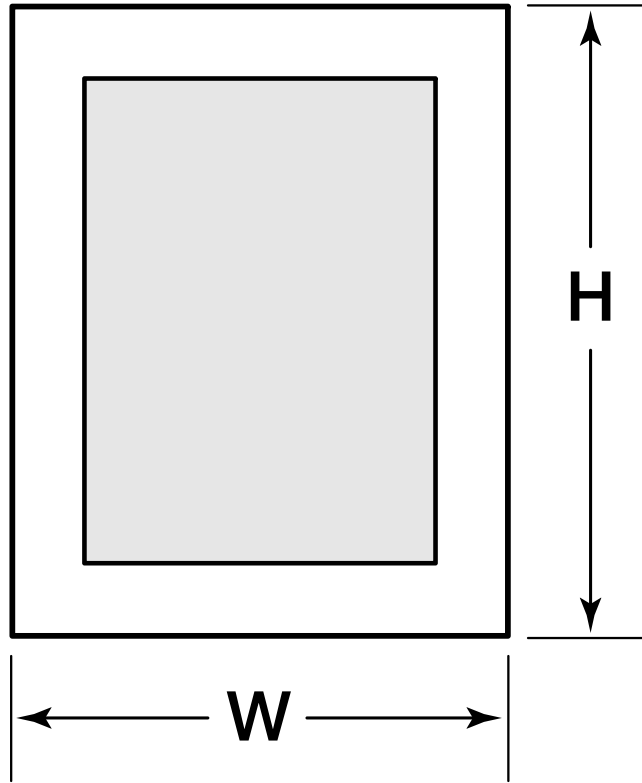


NOTE: 3/2" (89) finished returns will be visible and should be finished to match cabinetry.



Panel Specifications

Single Model: DEU2450W/ADA



PANEL	WIDTH	HEIGHT	MIN THICKNESS	MAX WEIGHT
Door	23 3/4"	28 3/8"	5/8"	22 lbs
Top Rail	--	3 1/2"	5/8"	--
Bottom Rail	--	4 1/2"	5/8"	--
Stiles	3 1/4"	--	5/8"	--

Panel Planning Notes

Single Model: DEU2450W/ADA

The thickness of the custom panel can vary. A 5/8" (16) minimum to 3/4" (19) maximum thick panel is required.

The depth of each designer model is 23 1/8" (587). Allow for panel thickness when planning the finished opening depth.

Finish all sides of custom panels. They will be visible when the door is open.

Stainless steel tubular and pro handles are available through an authorized Sub-Zero dealer.

Finish all sides of the custom panels. They may be visible when the door is open or through the glass.

A custom door panel will attach directly to the door frame with screws through a series of pre-drilled holes. Do not install a solid panel on a glass door unit. A solid door is available as a sales accessory and must be installed if a solid panel is being specified. Service may be required to install the door. Overall dimensions are the same for glass and solid door panels.

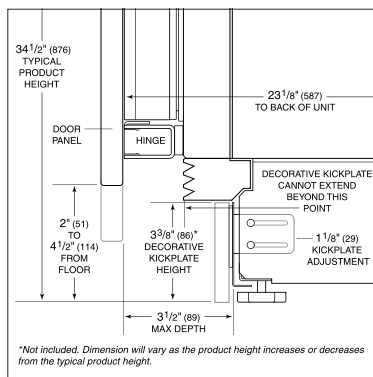
Minimum Panel Thickness

5/8"

Standard Handle Lengths (Optional)

HANDLE	TUBULAR	PRO
DEU2450W/ADA Door	24 3/16"	22 1/2"

Toe Kick Clearance



24" Custom Panel ADA-compliant Dishwasher



BOSCH
Invented for life

800 Series – Custom Panel SGV78C53UC



SGV78C53UC
Custom Panel

This lower height dishwasher is ADA Compliant for ease of use.

Features & Benefits

42 dBA: dishwasher runs quietly so your kitchen conversations aren't interrupted.

Patented CrystalDry™ technology transforms moisture into heat to get dishes, including plastics, 60% drier.*

3rd rack provides the perfect space for silverware and large utensils while its V shape leaves room below for taller items.

AquaStop Plus® detects leaks with a dual sensor system, and then contains them for premium protection.

General Properties	
Wash cycles (control panel)	6 (Heavy, Auto, Normal, Favorite, Express, Delicate)
Options (control panel)	6 (Sanitize, Remote Start, Delay Time, Half Load, CrystalDry™, MachineCare)
dBA	42
Wash system	PrecisionWash®
Drying system	CrystalDry™
Third rack	Standard
Rack adjustability	RackMatic®
Tub material	Stainless steel
Control type	Buttons
Concealed water heating element	Yes
Leak protection system	24/7 AquaStop® Plus
NSF®-certified† sanitize option	Yes
Water softener	Yes
Five-level wash	Yes
Child Lock button suspension	No
Home Connect® (Wi-Fi enabled)	Yes
Anti-Fingerprint Finish	No
Special features	InfoLight®, CrystalDry™, Favorite button
Efficiency	
Water usage per cycle	3.2 gal
ENERGY STAR® Certified	Yes
Total annual energy consumption	240 kWh

Capacity	
Number of place settings	15
Technical Details	
Watts	1440 W
Current	12 Amps
Volt	120 V
Frequency	60 Hz
Power cord full length	67"
Power cord install length from edge of unit when facing the door	Left – 47 1/4" Right – 47 1/4"
Minimum water pressure	7 lb/sin
Length inlet hose	65"
Length outlet hose	74 3/4"
Dimensions & Weight	
Overall appliance dimensions (HxWxD)	32 1/16" x 23 9/16" x 21 5/8"
Required cutout size (HxWxD)	32 1/8" x 24" x 24"
Adjustable feet	Yes
Net weight	83 lbs
Accessories—Optional	
Junction Box	SMZPCJB1UC
Dishwasher Drain Hose Extension	SGZ1010UC
Edge Protector + Power Cord Clip Install Kit	SMZEPCC1UC



*Based on aggregate average drying performance of Bosch Dishwashers with CrystalDry on combined household load including plastics, glass, steel, and porcelain as compared to Bosch Dishwashers with PureDry®. Drying performance may vary by dish type.

Accessories: To purchase Bosch accessories, cleaners & parts please visit www.bosch-home.com/us/store or call 1-800-944-2904 (Mon to Fri 5 am to 6 pm PST, Sat 6 am to 3 pm PST).

Notes: All height, width and depth dimensions are shown in inches. BSH reserves the absolute and unrestricted right to change product materials and specifications, at any time, without notice. Consult the product's installation instructions for final dimensional data and other details prior to making cutout.

Warranties: Please see Use & Care manual or Bosch website for statement of limited warranty.

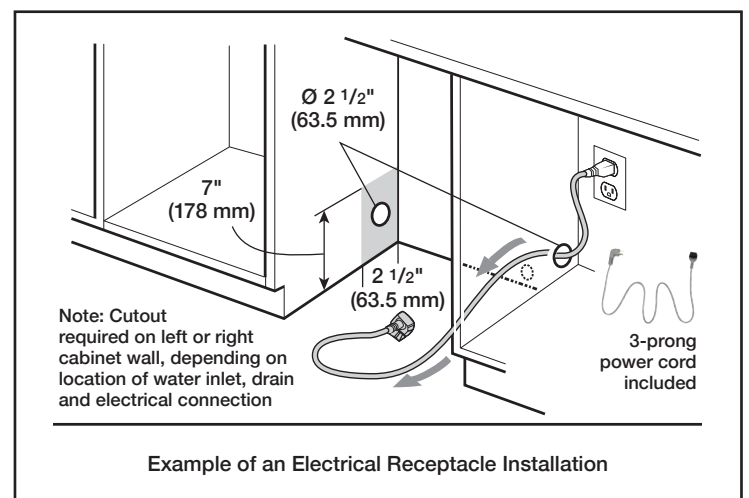
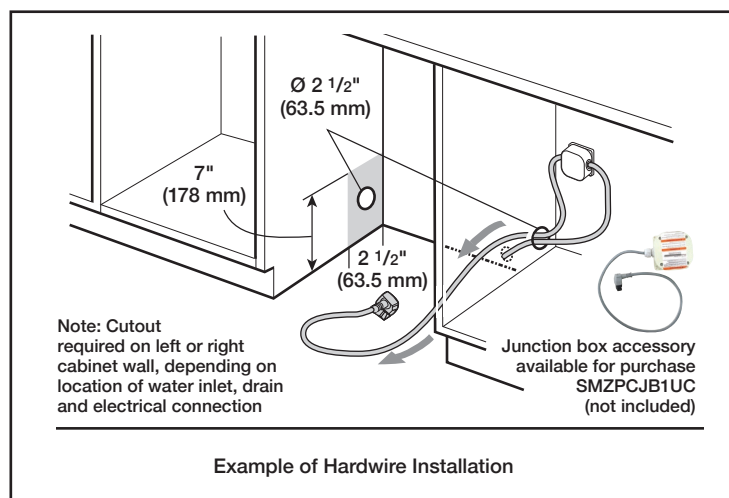
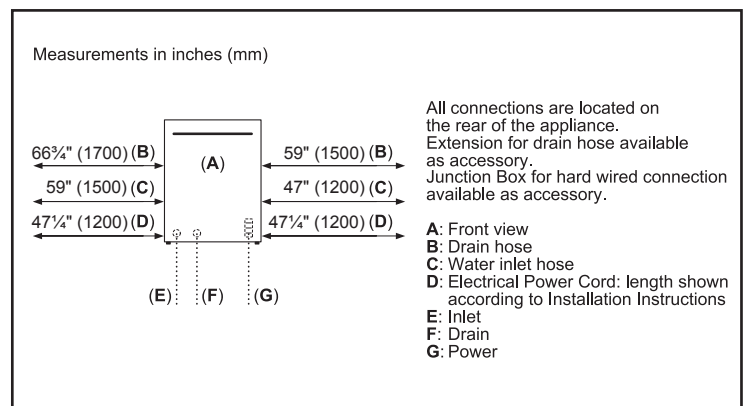
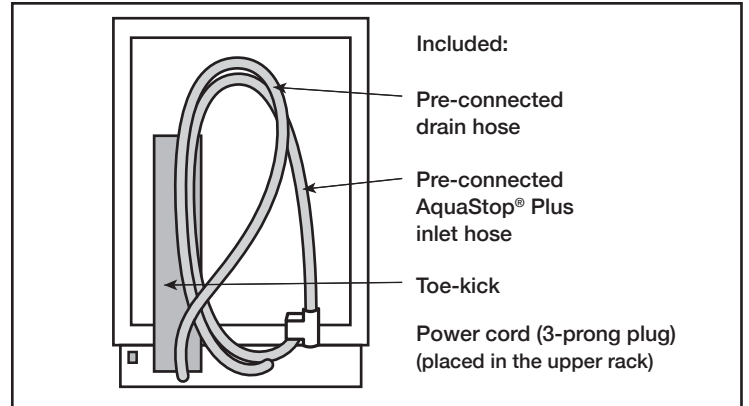
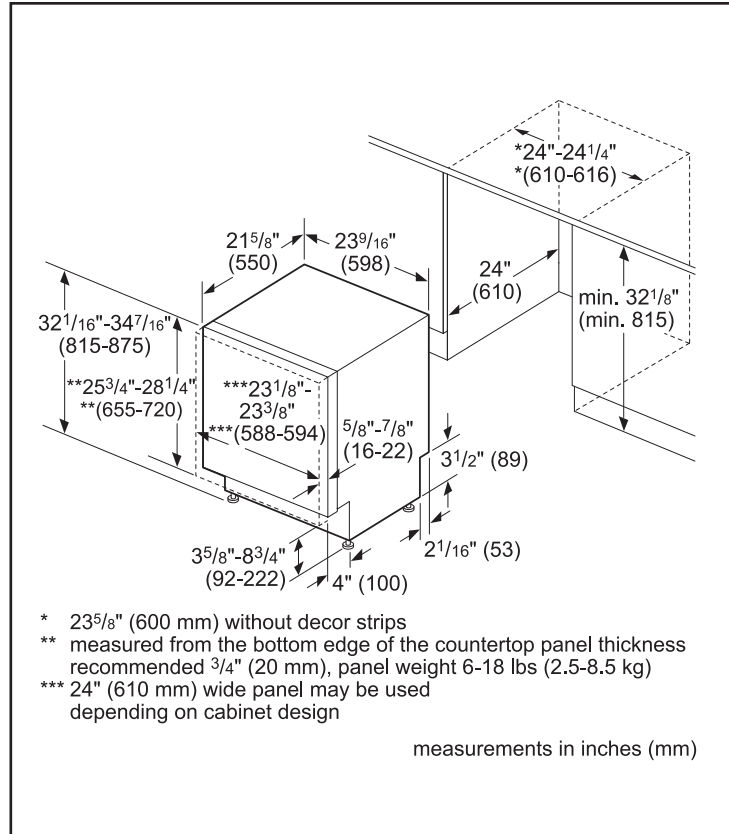
For more information on our entire line of products, go to www.bosch-home.com/us or call 1-800-944-2904

© BSH Home Appliances Corporation. All rights reserved. Bosch is a registered trademark of Robert Bosch GmbH.

24" Custom Panel ADA-compliant Dishwasher

800 Series – Custom Panel SGV78C53UC

Installation Details



Accessories: To purchase Bosch accessories, cleaners & parts please visit www.bosch-home.com/us/store or call 1-800-944-2904 (Mon to Fri 5 am to 6 pm PST, Sat 6 am to 3 pm PST).

Notes: All height, width and depth dimensions are shown in inches. BSH reserves the absolute and unrestricted right to change product materials and specifications, at any time, without notice. Consult the product's installation instructions for final dimensional data and other details prior to making cutout.

Warranties: Please see Use & Care manual or Bosch website for statement of limited warranty.

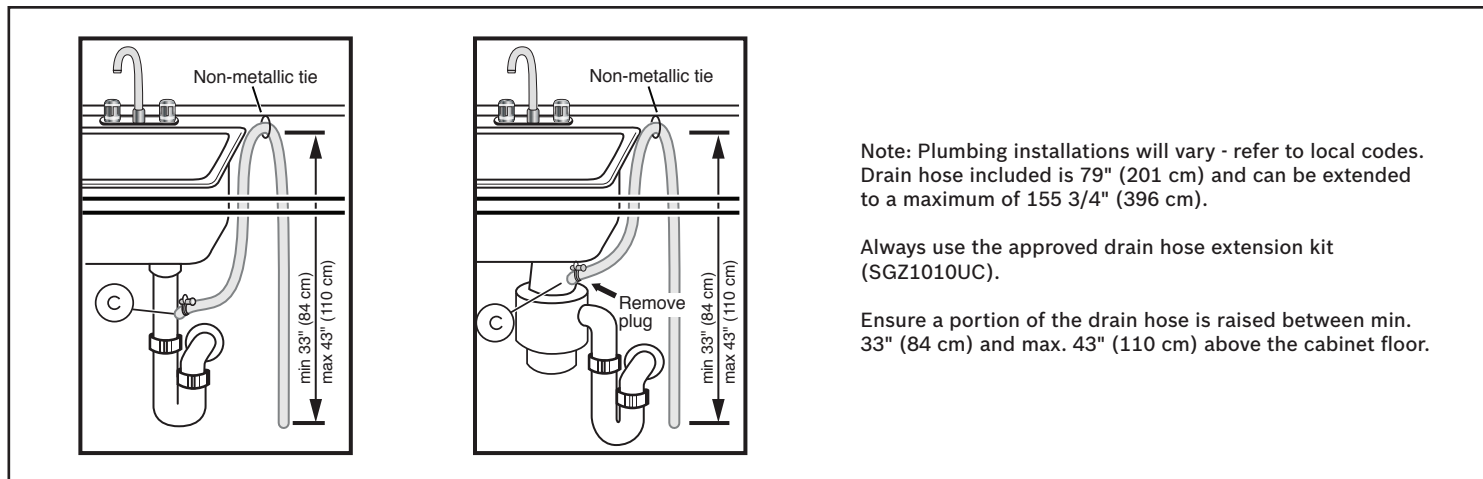
For more information on our entire line of products, go to www.bosch-home.com/us or call 1-800-944-2904

© BSH Home Appliances Corporation. All rights reserved. Bosch is a registered trademark of Robert Bosch GmbH.

24" Custom Panel ADA-compliant Dishwasher

800 Series – Custom Panel SGV78C53UC

Installation Details



Accessories: To purchase Bosch accessories, cleaners & parts please visit www.bosch-home.com/us/store or call 1-800-944-2904 (Mon to Fri 5 am to 6 pm PST, Sat 6 am to 3 pm PST).

Notes: All height, width and depth dimensions are shown in inches. BSH reserves the absolute and unrestricted right to change product materials and specifications, at any time, without notice. Consult the product's installation instructions for final dimensional data and other details prior to making cutout.

Warranties: Please see Use & Care manual or Bosch website for statement of limited warranty.

For more information on our entire line of products, go to www.bosch-home.com/us or call 1-800-944-2904

© BSH Home Appliances Corporation. All rights reserved. Bosch is a registered trademark of Robert Bosch GmbH.

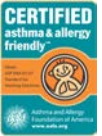
LG LAUNDRY
WKE100H_A / WKG101H_A

 Single Unit WashTower™ with Center Control™
 4.5 cu. ft. Front Load Washer and 7.4 cu. ft. Dryer

Ultra Large Capacity 4.5 cu.ft. Washer and 7.4 cu.ft. Dryer
 Single Unit WashTower™ Design
 Built-In Intelligence - AI Fabric Sensors/Smart Learner/Smart Pairing™
 Allergiene™ Wash Cycle/ AAFA Certified LG Washer
 LG ThinQ® App with ThinQ Care
 Sensor Dry
 Tempered Glass Doors

Proactive Smart Alerts to Keep Your Appliances Running Smoothly
ThinQ Care

- Preventative Alerts help you stay a step ahead of potential issues to find proactive solutions before problems arise.
- Avoid preventable repairs and service calls with real-time diagnostics for a hassle-free experience.
- Integrated within LG's ThinQ app—a smart home hub for managing your smart devices and appliances.


AVAILABLE COLORS


SUMMARY	Washer	Dryer
Type	Front Load Washer	Front Load Dryer
Capacity (cu.ft.)	4.5 cu. ft.	7.4 cu. ft.
Color	White (W), Graphite Steel (V)	
APPEARANCE	Washer	Dryer
Touch Buttons	Yes	
Full Touch Electronic Control Panel with LED Display	Yes	
Center Control™	Yes	
ENERGY	Washer	Dryer
ENERGY STAR® Qualified	Yes	
CEE Tier	Tier2	-
IMEF	2.92	-
IWF	2.9	-
CEF	-	Electric: 3.94 Gas: 3.49
PROGRAMS	Washer	Dryer
No. of Programs	6	6
	Normal, Bedding, Delicates, Heavy Duty, Speed Wash, Downloaded	Normal, Bedding, Delicates, Heavy Duty, Small Load, Downloaded
OPTIONS	Washer	Dryer
No. of Options	9	7
	Delay wash, Steam, Extra Rinse, Pre-wash, Sanitary, Tub Clean, Control Lock, Signal, Wi-Fi / Remote Start	Wrinkle Care, More Time, Less Time, Energy Saver, Control Lock, Signal, Wi-Fi / Remote Start
DETAILS	Washer	Dryer
No. of Wash/Rinse Temps	5	-
Wash/Rinse Temps	Hot, Warm/Hot, Warm, Cold/Warm, Cold	-
No. of Spin Speeds	5	-
Spin Speeds	High, Medium/High, Medium, Low, No Spin	-
Max RPM	1300	-
Water Levels	Load Sensing	-
No. of Soil Levels	5	-
Temperature Settings	-	High, Medium/High, Medium, Low/Medium, Low
Drying Levels	-	Very, More, Normal, Less, Damp
Manual Dry Times	-	60 min., 50 min., 40 min., 30 min., 20 min.

FABRIC CARE FEATURES	Washer	Dryer
AI DD™	Yes	-
Steam Technology	Yes	-
Allergiene™ Cycle	Yes	-
Sanitary Cycle	Yes	-
AI Sensor Dry™	-	Yes
Sensor Dry	-	Yes
Precise Temperature Control with Variable Heater	-	Yes
CONVENIENCE FEATURES	Washer	Dryer
TrueBalance™ Anti-Vibration System	Yes	-
4 Tray Dispenser	Prewash, Main Wash (with liquid detergent cup), Bleach, Fabric Softener	-
End of Cycle Signal	Yes	-
LoadSense	Yes	-
Control Lock	Yes	-
Auto Suds Removal	Yes	-
Leveling Legs	4 Adjustable Legs	
Remaining Time Display/Status Indicator(s)	Yes	-
3 Minute Installation Check	-	Yes
End of Cycle Signal	-	Yes
Drum Light	-	Yes
FlowSense™ Duct Clogging Indicator	-	Yes
Wrinkle Care Option	-	Yes
Control Lock	-	Yes
Venting Option	-	Electric: 3 Way Venting / Gas: 2 Way Venting
4 Adjustable Legs	-	Yes
Remaining Time Display/Status Indicator(s)	-	Yes
ThinQ® TECHNOLOGY	Washer	Dryer
SmartDiagnosis™ (v3.0)	-	Yes
Wi-Fi	-	Yes
Remote Start and Cycle Monitor	-	Yes
Energy Monitoring	-	Yes
Tub Clean Coach	Yes	-
MOTOR	Washer	Dryer
Motor Type	Inverter Direct Drive Motor	-
Axis	Horizontal	-

MATERIALS AND FINISHES	Washer	Dryer
NeveRust™ Stainless Steel Drum	Yes	-
Aluminized Alloy Steel Drum	-	Yes
Control Panel	Plastic	
Top Plate	Steel	
Cabinet	Painted Steel	
Door / Rim	Large Circle Shiny Rose Gold Rim	
Door Cover	Tinted Round Tempered Glass	
All Available Colors	White (W), Graphite Steel (V)	
CERTIFICATION	Washer	Dryer
AAFA	Yes	-
POWER SOURCE	Washer	Dryer
Ratings	CSA Listed	-
Electrical Requirements	120V, 10 Amps	-
Type	Electric	-
Ratings	-	CSA Listed
Electrical Requirements	-	120V, 15 Amps (Gas) 240V 30 Amps (Electric)
Type	-	Gas / Electric
BTU Rating	-	Gas: 20,000
OPTIONS/ACCESSORIES	Washer	Dryer
LP Conversion Kit	-	383EEL3002D / LPK1
Side Venting Kit	-	3911EZ9131X
DIMENSIONS	Washer	Dryer
Product (WxHxD)	27" x 74 3/8" x 30 3/8" (700mm x 1890mm x 770mm)	
Depth with Door Open	(55" D with door open)	
Carton (WxHxD)	30 1/16" x 79 11/32" x 32" (763 x 2015 x 813(mm))	
Weight (Product/Carton)	Electric (311 lbs / 346 lbs) Gas (311 lbs / 346 lbs)	
LIMITED WARRANTY	Washer	Dryer
Parts and Labor	1 Year	1 Year
Direct Drive Motor	10 Years	-
Drum	3 Years	3 Years
UPC CODES		

WKE100HVA (Graphite Steel)	048231029353
WKG101HVA (Graphite Steel)	048231029377
WKE100HWA (White)	048231029360
WKG101HWA (White)	048231029384

Choosing the Proper Location

Check the following requirements for the install location before installing the appliance.

- Allow for sufficient space between the walls and the appliance for installation.
- Make sure that the floor is clean, dry and free of dust, dirt, water and oil so the leveling feet cannot slide easily. Leveling feet that can move or slide on the floor can contribute to excess vibration and noise.
- If the floor has too much flex, reinforce it to make it more rigid. If the floor is not solid, it may cause severe vibration and noise.
- If a drain pan must be used, take extra care to follow the instructions provided with the drain pan and make sure the leveling feet are adjusted for firm and even contact with the pan. Use of drain pans and failure to properly level the appliance may result in increased vibration and noise during operation.

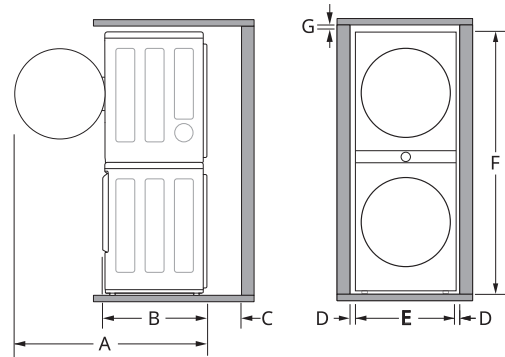
Flooring

- To minimize noise and vibration, install the washer on a level, solidly constructed floor capable of supporting the appliance without flexing or bouncing.
- The appliance must be installed on firm flooring to minimize vibration during the spin cycle. Concrete flooring is best, but a wood floor is sufficient, provided it is built to FHA standards.
- The floor under the appliance must not slope more than **1 inch (2.5 cm)** from front to back or side to side.
- Installing on carpeting and soft tile surfaces is not recommended.
- Never install the appliance on a platform or weakly supported structure.

Floor Installation

To ensure sufficient clearance for water inlet hoses, drain hose and airflow, allow minimum clearances of at least **1" (2.5 cm)** at the sides and **4" (10 cm)** behind the appliance. Be sure to allow

for wall, door, or floor moldings that may increase the required clearances.



Dimensions and Clearances	
A	55" (139.6 cm)
B	30 3/8" (77 cm)
C	4" (10 cm)
D	1" (2.5 cm)
E	27" (70 cm)
F	74 3/8" (189 cm)
G	1" (2.5 cm)

Exhaust

- A location that allows for proper exhaust installation. A gas dryer must be exhausted to the outdoors.

Power Outlet

- The power outlet must be within **60 inches (1.5 m)** of either side of the appliance.
- Position the appliance so that the outlet and plug are easily accessible.
- Do not overload the outlet with more than one appliance.
- The outlet must be grounded in accordance with current electrical wiring codes and regulations.
- Use a time-delay fuse or circuit breaker.
- It is the personal responsibility and obligation of the appliance owner to have a proper outlet installed by a qualified electrician.

NOTE

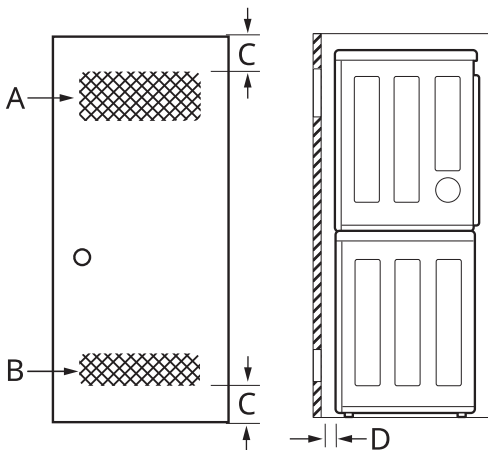
- Check code requirements that limit, or do not permit, installation of the appliance in garages, mobile homes or sleeping quarters. Contact your local building inspector.

Clearances

The following clearances are recommended for the appliance.

- Additional clearances should be considered for ease of installation and servicing.
- Additional clearances should be considered on all sides of the appliance to reduce noise transfer.

Installation spacing for Recessed Area or Closet Installation



Description	Dimension/Clearance
A: Upper Ventilation Opening	48 sq. in. (310 cm ²)
B: Lower Ventilation Opening	24 sq. in. (155 cm ²)
C: Distance to Ventilation Opening	3" (7.6 cm)
D: Front Clearance	4" (10 cm)

Closet Ventilation Requirements

Closets with doors must have both an upper and lower vent to prevent heat and moisture buildup in the closet. One upper vent opening with a minimum opening of 48 sq. in. (310 cm²) must be installed no lower than 6 feet above the floor. One lower vent opening with a minimum opening of 24 sq. in. (155 cm²) must be installed no more than

one foot above the floor. Install vent grills in the door or cut down the door at the top and bottom to form openings. Louvered doors with equivalent ventilation openings are also acceptable.

NOTE

- There should be at least a little space around the appliance (or any other appliance) to eliminate the transfer of vibration from one appliance to another. If there is enough vibration, it could cause appliances to make noise or come into contact, causing paint damage and further increasing noise.
- No other fuel-burning appliance can be installed in the same closet as an appliance.

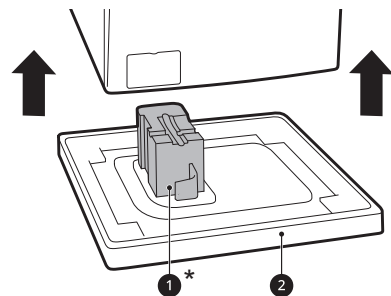
Unpacking and Removing Shipping Material

Unpacking Shipping Material

* This feature is only available on some models.

Lifting the Appliance off the Foam Base

- After removing the carton and shipping material, lift the appliance off the foam base.
- Make sure the plastic drum support ①* comes off with the base and is not stuck to the bottom of the appliance.
- If you must lay the appliance down to remove the carton base ②, always protect the side of the appliance and lay it carefully on its side. Do not lay the appliance on its front or back.



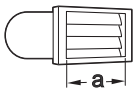
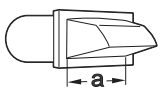
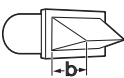
CAUTION

- Remove all shipping materials from the appliance for proper operation and inspect it for shipping damage. Failure to remove shipping materials can cause excessive noise and vibration.

⚠ WARNING

- Venting must conform to local building codes.
- Use only 4" (10 cm) rigid, semi-rigid or flexible metal ductwork inside the dryer cabinet and for venting outside.
- The exhaust duct must be 4" (10 cm) in diameter with no obstructions. The exhaust duct should be kept as short as possible. Make sure to clean any old ducts before installing your new dryer.
- Rigid, semi-rigid or flexible metal ducting is recommended for use between the dryer and the wall. All non-rigid metal transition duct must be UL-listed. Use of other materials for transition duct could affect drying time.
- Ductwork is not provided with the dryer. You should obtain the necessary ductwork locally. The vent hood should have hinged dampers to prevent backdraft when the dryer is not in use.
- The total length of flexible metal duct must not exceed 8 ft. (2.4 m).

Ductwork

Wall Cap Type	Number of 90° Elbows	Maximum length of 4-inch diameter rigid metal duct
Recommended   a: 4" (10 cm)	0	65 ft. (19.8 m)
	1	55 ft. (16.8 m)
	2	47 ft. (14.3 m)
	3	36 ft. (11.0 m)
	4	28 ft. (8.5 m)
Use for only short run installations  b: 2 1/2" (6.4 cm)	0	55 ft. (16.8 m)
	1	47 ft. (14.3 m)
	2	41 ft. (12.5 m)
	3	30 ft. (9.1 m)
	4	22 ft. (6.7 m)

NOTE

- Deduct 6 ft. (1.8 m) for each additional elbow. Do not use more than four 90° elbows.
- In Canada, only those foil-type flexible ducts, if any, specifically identified for use with the appliance by the manufacturer should be used. In the United States, only those foil-type flexible ducts, if any, specifically identified for use with the appliance by the manufacturer and that comply with the Outline for Clothes Dryer Transition Duct, Subject 2158A, should be used.

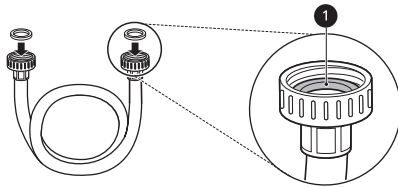
Routing and Connecting Ductwork

Follow the guidelines below to maximize drying performance and reduce lint buildup and condensation in the ductwork. Ductwork and fittings are NOT included and must be purchased separately.

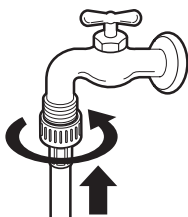
- Use 4" (10 cm) diameter rigid, semi-rigid or flexible metal ductwork.
- The exhaust duct run should be as short as possible.
- Use as few elbow joints as possible.
- The male end of each section of exhaust duct must point away from the dryer.
- Use duct tape on all duct joints.
- Insulate ductwork that runs through unheated areas in order to reduce condensation and lint buildup on duct surfaces.
- Incorrect or inadequate exhaust systems are not covered by the dryer warranty. Dryer failures or service required because of such exhaust systems will not be covered by the dryer warranty.

- Water supply pressure must be between 20 psi and 120 psi (138 - 827 kPa). If the water supply pressure is more than 120 psi, a pressure reducing valve must be installed.
- Your hot water heater should be set to deliver water at 120–135 °F (48–57 °C) to allow the appliance to properly control wash temperatures.
- Do not store or install the appliance in a location subject to freezing temperatures. Damage to the water inlet hoses and internal mechanisms of the appliance can result. If the appliance was exposed to freezing temperatures prior to installation, allow it to stand at room temperature for several hours before use and check for leaks prior to operation.
- Do not use flood-preventing hoses with auto shut off devices. The devices can be tripped during fill and prevent the appliance from filling properly.

- 1** Check the fittings and seals. Inspect the threaded fitting on each hose and make sure there is a rubber seal **1** in place in both ends of each hose to prevent leaking.

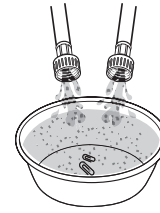


- 2** Connect the water supply hoses.
- Connect the water inlet hoses to the hot and cold water faucets tightly by hand and then tighten another 2/3 turn with pliers.
 - Connect the blue hose to the cold water faucet and the red hose to the hot water faucet.

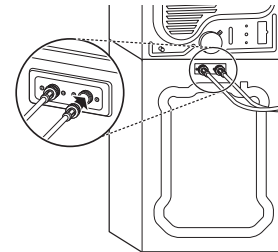


- 3** Flush out the inlet hoses.
- After the hoses are connected, turn on the water faucets and flush out any foreign substances such as dirt, sand, or sawdust.

- Let the water drain into a bucket, and check the water temperature to make sure you've connected the hoses to the correct faucets.



- 4** Attach the inlet hoses to the back of the washer.
- Attach the hot water inlet hose to the hot water inlet on the back of the washer. Attach the cold water inlet hose to the cold water inlet on the back of the washer.
 - Tighten the fittings securely. Turn on both faucets all the way and check for leaks at both ends of the hoses.



Connecting the Drain Hose

Connect the drain hose to either a standpipe or laundry tub.

⚠ WARNING

- The drain hose should always be properly secured. Failure to properly secure the drain hose can result in flooding and property damage.

NOTE

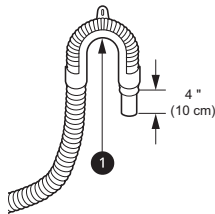
- The drain must be installed in accordance with any applicable local codes and regulations.
- Make sure that the drain hose is not stretched, pinched, crushed, or kinked.
- The end of the drain hose should be located a minimum of **24" (61 cm)** and a maximum of **96" (244 cm)** above the bottom of the washer.

NOTE

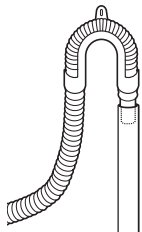
- For best results, locate the end of the drain hose no higher than **66" (168 cm)** above the bottom of the washer. As the drain outlet is raised beyond **66" (168 cm)**, the drain function will be increasingly affected.
- Never create an airtight seal between the hose and the drain with tape or other means. If no air gap is present, water can be siphoned out of the drum resulting in poor wash/rinse performance or clothing damage.

Using a Standpipe to Drain

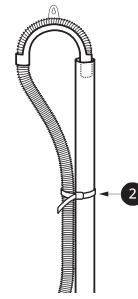
- 1 Clip the end of the hose into the elbow bracket.
 - Connect the elbow bracket **1** within **4 inches (10 cm)** of the end of the drain hose. If the drain hose is extended more than **4 inches (10 cm)** beyond the end of the elbow bracket, mold or microorganisms could spread to the inside of the washer.



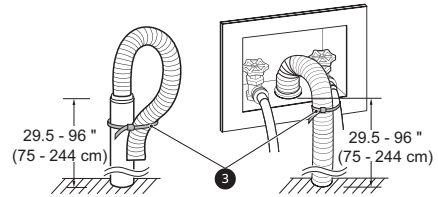
- 2 Insert the end of the drain hose into the standpipe.



- 3 Use the provided tie strap **2** to secure the drain hose in place.

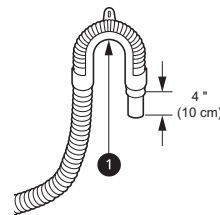


- 4 If the water valves and drain are built into the wall, fasten the drain hose to one of the water hoses with the provided tie strap **3** (ribbed side on inside).



Using the Laundry Tub to Drain

- 1 Clip the end of the hose into the elbow bracket.
 - Connect the elbow bracket **1** within **4 inches (10 cm)** of the end of the drain hose. If the drain hose is extended more than **4 inches (10 cm)** beyond the end of the elbow bracket, mold or microorganisms could spread to the inside of the washer.



- 2 Hang the end of the drain hose over the side of the laundry tub.

