



Specifications for Project


# MONGE

## WESTHAVEN CONSTRUCTION SERVICES.INC, ROGER

Salesperson

**Alina Echavarri**

**Alina.Echavarri@fuseappliances.com**

** REMINDER:** To ensure a smooth project it is the responsibility of the homeowner / purchaser of appliances for this project to share all the attached specifications to ensure the cabinet provider, contractor, or any other tradesperson have all the information required to complete their work accurately.

Specifications are subject to change. If any tradesperson has questions regarding the attached specifications please contact our sales associate.

# MONGE

WESTHAVEN CONSTRUCTION SERVICES.INC, ROGER

MONGE

CONTINIUM NORTH 2901

305-458-5600



## Fuse Specialty Appliances

[fuseappliances.com](http://fuseappliances.com)

**Alina Echavarri**

Builder Account Manager

305.433.6189

Quote **Q00094100**

Version 1.1

Wed, Feb 18, 2026

7:04 PM EST



[enterprise.steelcod.com/sp/fuse/R1SYT36L](http://enterprise.steelcod.com/sp/fuse/R1SYT36L)

<i>Contents</i>	<i>Page no.</i>
<b>DEC3050R/R</b> Sub-Zero Refrigeration  30" Designer Column Refrigerator - Panel Ready - Right Hinge	<b>4-8</b>
<b>DEC1850FI/L</b> Sub-Zero Refrigeration  18" Designer Column Freezer with Ice Maker - Panel Ready - Left Hinge	<b>9-13</b>
<b>H 7880 GRGR BPX</b> Miele Wall Oven  30" H 7880 GRGR BPX Convection Oven  SKU: 11805630	<b>14-16</b>
<b>H 7870 GRGR BMX</b> Miele Wall Oven  30" H 7870 BM X Graphite Grey ArtLine Speed Oven  SKU: 11804710	<b>17-19</b>
<b>KM 7730 FR</b>	<b>20-22</b>

**Note about page numbers:**

Because the original manufacturer's documents are not altered in any way, the page numbers displayed on the page may not correspond to the page number within this package.

**All specifications are intended for initial planning purposes only.**

Manufacturers reserve the right to change specifications at any time without notice. Always consult the installation instructions found on the manufacturer's website or included with the appliances before installation.

Miele Cooktop

30" Induction Cooktop with Frame

SKU: 12074200

---

**DA 6881** 23-48

Miele Ventilation

30" DA 6891 Downdraft Hood

---

**DAG 600** 49

Miele Ventilation Accessory

Internal blower

SKU: 12562610

---

**DUU 2900-900** 50

Miele Ventilation Accessory

Recirculation conversion kit for DA 28xx, DA 290x and DA 68x1 For converting ceiling extractors from air vented to recirculation mode

---

**G 5051 SCVi ADA** 51-52

Miele Dishwasher

G 5051 SCVi ADA 24" Fully Integrated Dishwasher

SKU: 11636710

---

**KWT 2662 ViS** 53-59

Miele Refrigeration

24" KWT 2662 ViS Fully Integrated MasterCool

SKU: 11503650

**Note about page numbers:**

Because the original manufacturer's documents are not altered in any way, the page numbers displayed on the page may not correspond to the page number within this package.

**All specifications are intended for initial planning purposes only.**

Manufacturers reserve the right to change specifications at any time without notice. Always consult the installation instructions found on the manufacturer's website or included with the appliances before installation.

DEC3050R



## FEATURES

Split Climate® intelligent cooling system revolutionizes Sub-Zero's already-superior preservation capabilities, keeping food even fresher for longer

ClearSight® LED lighting system fully illuminates the interior and reduces shadows.

Sleek stainless accents trim the interior, matching the sophistication of the exterior

Easily customize settings—from lighting to humidity—with the tap of a finger via the conveniently accessible touch control panel

Night Mode optimizes the interior lighting based on the detected ambient light, reducing the brightness by 90% in dim environments

Lift the base of the flip-up dairy compartment to store taller items on the shelf below

Position adjustable door shelves at various heights to accommodate assorted items

Nano coating lines the perimeter of each glass shelf to create a hydrophobic barrier that helps contain spills

The easily accessible NASA-inspired air purification system scrubs the air of ethylene and odor every 20 minutes

Wi-Fi enabled for convenient remote access using your mobile device or smart home system

Sub-Zero offers an industry-leading full two-year warranty on appliances, along with a full five-year sealed system warranty

Accepts custom panels for an integrated look within cabinetry or stainless-steel accessory panels and handles to match other Sub-Zero, Wolf, and Cove products\*

## ACCESSORIES

Air Purification Cartridge

Egg Container

Reduced Toekick Divider

Stainless Steel Side Panel

Dual Installation Kits

Stainless Steel Dual Installation Kickplates

Stainless Steel Door Panels With Pro Handle

Stainless Steel Door Panels With Tubular Handle

Stainless Steel Pro and Tubular Handles

Accessories are available through an authorized dealer.  
For local dealer information, visit [subzero-wolf.com/locator](http://subzero-wolf.com/locator).



## HANDLE ACCESSORIES

PRO



TUBULAR



## PRODUCT DETAILS

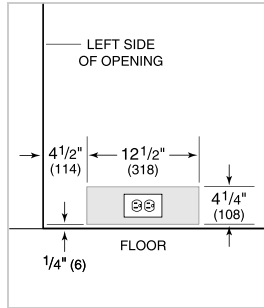
### REFRIGERATOR

- LED refrigerator lights
- 4 glass refrigerator shelves (3 adjustable; 1 stationary)
- 4 soft-close crisper drawers with adjustable dividers
- 5 door bins (3 adjustable; 2 stationary)
- 1 flip-up dairy compartment

**PRODUCT SPECIFICATIONS**

Model	DEC3050R
Dimensions	30"W x 84"H x 24"D
Refrigerator Capacity	17.5 cu. ft.
Weight	425 lbs
Electrical Supply	115 VAC, 60 Hz
Electrical Service	15 amp dedicated circuit

**ELECTRICAL**

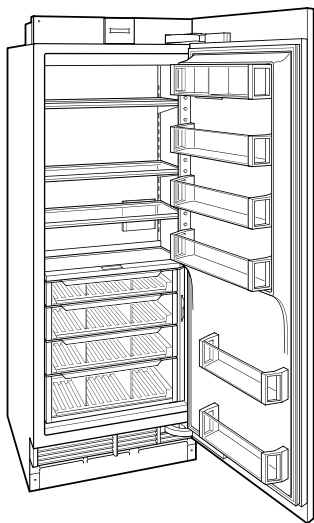


**NOTE:** The electrical outlet must be positioned with the grounding prong to the right of the thinner blades.

**PANEL SPECIFICATIONS** For complete panels specifications including width/height, weight requirements and thickness requirements visit [subzero-wolf.com/reveal](http://subzero-wolf.com/reveal).

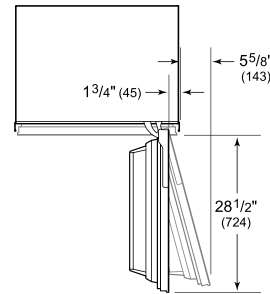
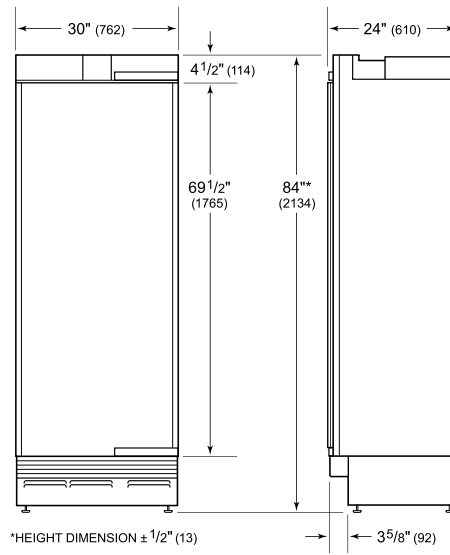
**NOTE:** Dimensions in parenthesis are in millimeters unless otherwise specified

**INTERIOR VIEW**

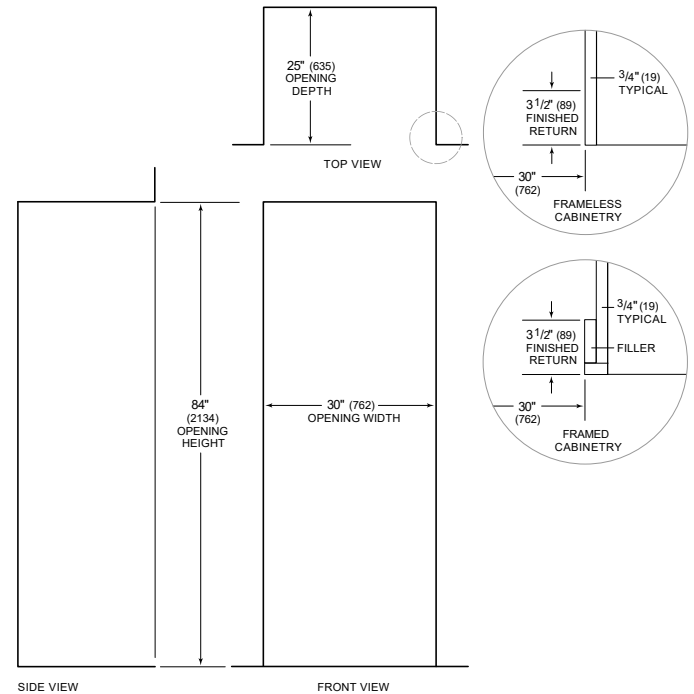


This illustration is intended for interior reference only and may not represent the exterior of the model being specified.

**DIMENSIONS**



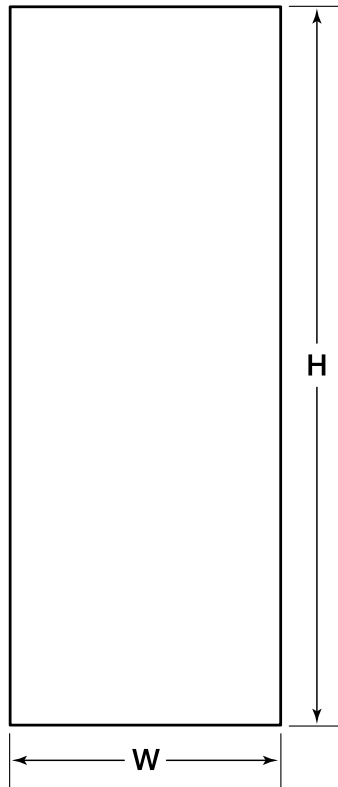
**STANDARD INSTALLATION**



**NOTE:** 3 1/2" (89) finished returns will be visible and should be finished to match cabinetry

Panel Specifications

Single Model: DEC3050R



PANEL	WIDTH	HEIGHT	MIN THICKNESS	MAX WEIGHT
Door	29 <sup>3</sup> / <sub>4</sub> "	79 <sup>7</sup> / <sub>8</sub> "	<sup>5</sup> / <sub>8</sub> "	75 lbs

PLEASE NOTE: Panel specs change slightly when units are combined. Visit <https://www.subzero-wolf.com/trade-resources/reveal> for exact dimensions.

**Panel Planning Notes**

Single Model: DEC3050R

For designer models, custom door panels and handle hardware must be provided.

The thickness of the custom panel can vary. A minimum 5/8" (16) thick panel is required, but the thickness can be increased provided it does not exceed the weight limit.

The depth of each designer model is 24" (610). Allow for panel thickness when planning the finished opening depth.

D-style handles are recommended. Door handles must be located near the edge of the panel opposite the hinge and should be centered top to bottom.

Typical panel dimensions are based on an 84" (2134) finished height for column and tall models and 1/8" (3) reveals. Panel dimensions must be adjusted accordingly for all other installations. Finish all sides of custom panels. They will be visible when the door/drawer is open.

Stainless steel tubular and pro handles are available through an authorized Sub-Zero dealer.

**Minimum Panel Thickness**

5/8"

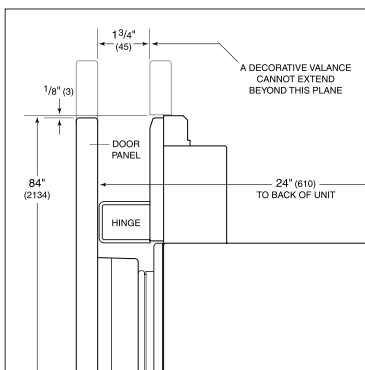
**Standard Handle Lengths (Optional)**

HANDLE	TUBULAR	PRO
DEC3050R Door	50 1/8"	48 3/8"

**Door Panel Height**

Typical panel dimensions are based on an 84" (2134) finished height for column and tall models and 34 1/2" (876) for drawer models, with a 4" (102) toe kick and 1/8" (3) reveals.

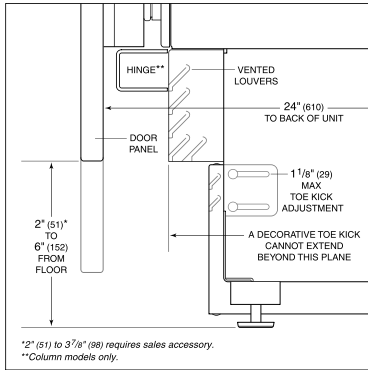
The height of the custom door panel can extend beyond the typical panel height, provided it does not exceed the weight limit.



Upper valance—column and tall (side view).

**Toe Kick Clearance**

The height of the toe kick area can extend beyond the typical toe kick height, provided it does not exceed the dimensions in the illustration below. Toe kick heights from 2" (51) to 3 7/8" (98) require a reduced toe kick accessory available through an authorized Sub-Zero dealer.



Toe kick (side view).

DEC1850FI



## FEATURES

ClearSight® LED lighting system fully illuminates the interior and reduces shadows.

Sleek stainless accents trim the interior, matching the sophistication of the exterior

Easily customize settings with the tap of a finger via the conveniently accessible touch control panel

Night Mode optimizes the interior lighting based on the detected ambient light, reducing the brightness by 90% in dim environments

Position adjustable door shelves at various heights to accommodate assorted items

Fresh-tasting, filtered ice ready on demand; activate Max Ice Mode to temporarily increase ice production

Locks in cold air with a magnetic door seal system

Wi-Fi enabled for convenient remote access using your mobile device or smart home system

Sub-Zero offers an industry-leading full two-year warranty on appliances, along with a full five-year sealed system warranty

Accepts custom panels for an integrated look within cabinetry or stainless-steel accessory panels and handles to match other Sub-Zero, Wolf, and Cove products\*

## ACCESSORIES

Reduced Toekick Divider

Stainless Steel Side Panel

Water Filter

Dual Installation Kits

Stainless Steel Dual Installation Kickplates

Stainless Steel Door Panels With Pro Handle

Stainless Steel Door Panels With Tubular Handle

Stainless Steel Pro and Tubular Handles

Accessories are available through an authorized dealer. For local dealer information, visit [subzero-wolf.com/locator](https://subzero-wolf.com/locator).



## HANDLE ACCESSORIES

PRO



TUBULAR



## PRODUCT DETAILS

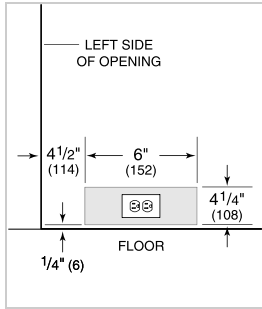
### FREEZER

- LED freezer lights
- 4 freezer shelves (3 adjustable; 1 stationary)
- 2 storage drawers
- 5 adjustable door bins
- Ice drawer with automatic ice maker

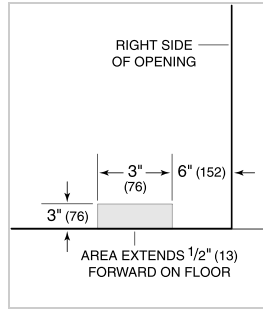
**PRODUCT SPECIFICATIONS**

Model	DEC1850FI
Dimensions	18"W x 84"H x 24"D
Freezer Capacity	8.8 cu. ft.
Weight	285 lbs
Electrical Supply	115 VAC, 60 Hz
Electrical Service	15 amp dedicated circuit
Plumbing Supply	1/4" OD copper, braided stainless steel or PEX tubing
Plumbing Pressure	35-120 psi

**ELECTRICAL**



**PLUMBING**

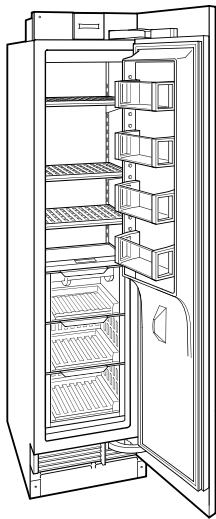


**NOTE:** The electrical outlet must be positioned with the grounding prong to the right of the thinner blades.

**PANEL SPECIFICATIONS** For complete panels specifications including width/height, weight requirements and thickness requirements visit [subzero-wolf.com/reveal](http://subzero-wolf.com/reveal).

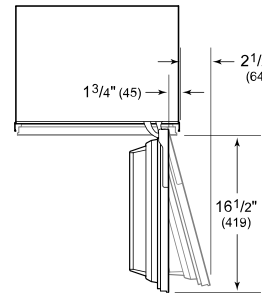
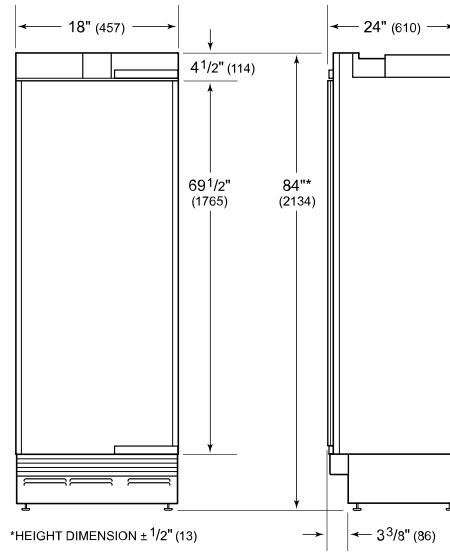
**NOTE:** Dimensions in parenthesis are in millimeters unless otherwise specified

**INTERIOR VIEW**

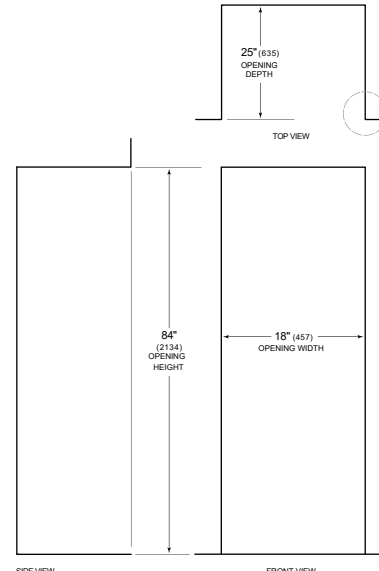


This illustration is intended for interior reference only and may not represent the exterior of the model being specified.

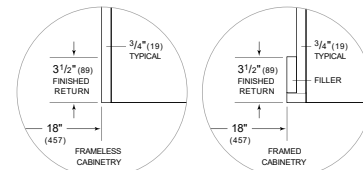
**DIMENSIONS**



**STANDARD INSTALLATION**

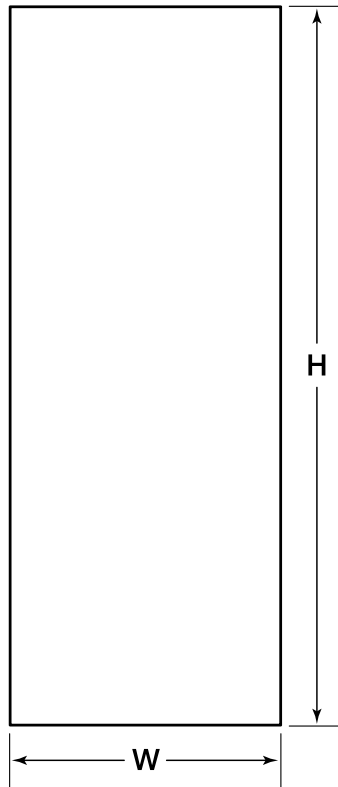


**NOTE:** 3 1/2" (89) finished returns will be visible and should be finished to match cabinetry.



Panel Specifications

Single Model: DEC1850FI



PANEL	WIDTH	HEIGHT	MIN THICKNESS	MAX WEIGHT
Door	17 <sup>3</sup> / <sub>4</sub> "	79 <sup>7</sup> / <sub>8</sub> "	<sup>5</sup> / <sub>8</sub> "	45 lbs

PLEASE NOTE: Panel specs change slightly when units are combined. Visit <https://www.subzero-wolf.com/trade-resources/reveal> for exact dimensions.

**Panel Planning Notes**

Single Model: DEC1850FI

For designer models, custom door panels and handle hardware must be provided.

The thickness of the custom panel can vary. A minimum 5/8" (16) thick panel is required, but the thickness can be increased provided it does not exceed the weight limit.

The depth of each designer model is 24" (610). Allow for panel thickness when planning the finished opening depth.

D-style handles are recommended. Door handles must be located near the edge of the panel opposite the hinge and should be centered top to bottom.

Typical panel dimensions are based on an 84" (2134) finished height for column and tall models and 1/8" (3) reveals. Panel dimensions must be adjusted accordingly for all other installations. Finish all sides of custom panels. They will be visible when the door/drawer is open.

Stainless steel tubular and pro handles are available through an authorized Sub-Zero dealer.

**Minimum Panel Thickness**

5/8"

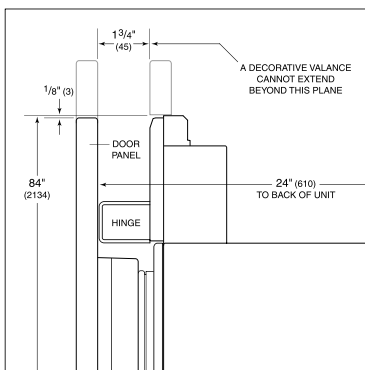
**Standard Handle Lengths (Optional)**

HANDLE	TUBULAR	PRO
DEC1850FI Door	50 1/8"	48 3/8"

**Door Panel Height**

Typical panel dimensions are based on an 84" (2134) finished height for column and tall models and 34 1/2" (876) for drawer models, with a 4" (102) toe kick and 1/8" (3) reveals.

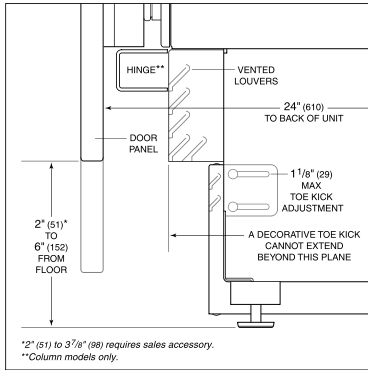
The height of the custom door panel can extend beyond the typical panel height, provided it does not exceed the weight limit.



Upper valance—column and tall (side view).

**Toe Kick Clearance**

The height of the toe kick area can extend beyond the typical toe kick height, provided it does not exceed the dimensions in the illustration below. Toe kick heights from 2" (51) to 3 7/8" (98) require a reduced toe kick accessory available through an authorized Sub-Zero dealer.



Toe kick (side view).

## H 7880 BPX - Graphite Grey 30" Convection Oven - ArtLine

### Features:

- M-Touch Display with Motion React - Simple to use touch controls
- FoodView and Miele@Home - see your food from anywhere with an in-oven camera
- Wireless precision probe - For simple and precise results
- Moisture Plus - a burst of steam for professional quality cooking results at home
- Direct Water - No need to fill any water tanks
- Unique handleless design - For a clean and refined look

### Included:

- 1 Perforated baking tray
- 1 Universal baking tray
- 2 Self Clean Ready Baking and Roasting Racks
- 1 Self Clean Ready Rack with rail system

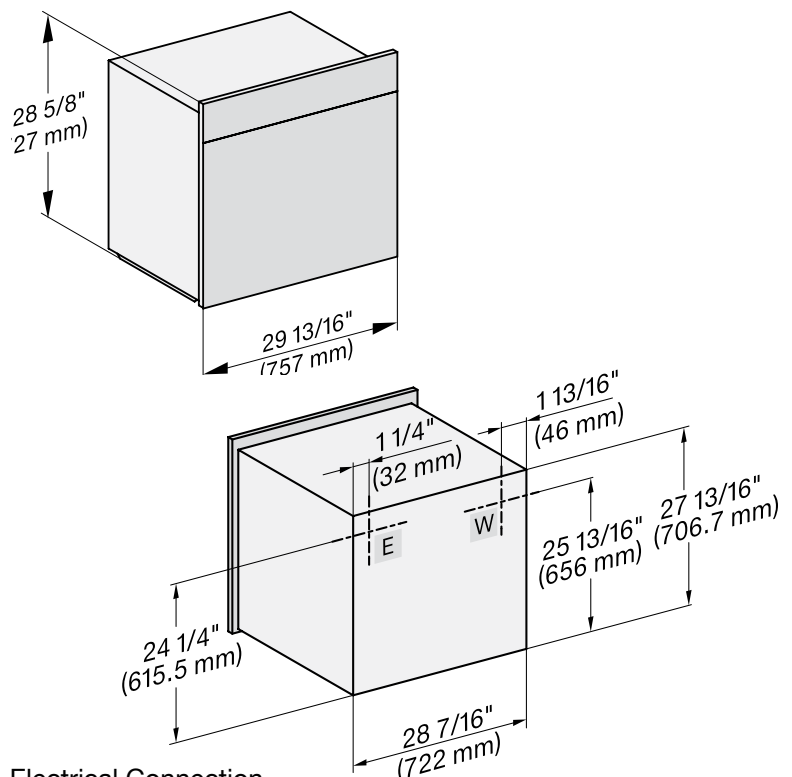


### MATERIAL #

11805630

SPECIFICATIONS	
Overall Unit Dimensions	29 <sup>13</sup> / <sub>16</sub> " (757 mm) W x 28 <sup>5</sup> / <sub>8</sub> " (727 mm) H x 23 <sup>3</sup> / <sub>4</sub> " (603 mm) D
Niche	
Minimum Cabinet Niche Opening	28 <sup>1</sup> / <sub>2</sub> " (724 mm) W x 28 <sup>1</sup> / <sub>4</sub> " (718 mm) H x 24" (610 mm) D
Plumbing	
Water Supply Requirements	<ul style="list-style-type: none"> <li>• Cold water connection</li> <li>• Male 3/8" compression fitting</li> <li>• Water pressure range 14.5 psi (1 bar) and 145 psi (10 bar)</li> </ul>
Water Connection Line (Supplied)	Length: 5 ft (1.5 m) Female 3/8" compression.
Electrical	
Electrical Requirements	120/208-240V, 60Hz, 30 Amps
Power Cord	NEMA 14-30 plug, 5 ft (1.52 m)
Shipping	
Shipping Weight	215 lbs (98 kg)
Shipping Dimensions	30 <sup>7</sup> / <sub>16</sub> " (776 mm) W x 35 <sup>3</sup> / <sub>4</sub> " (907 mm) H x 32 <sup>15</sup> / <sub>16</sub> " (836 mm) D

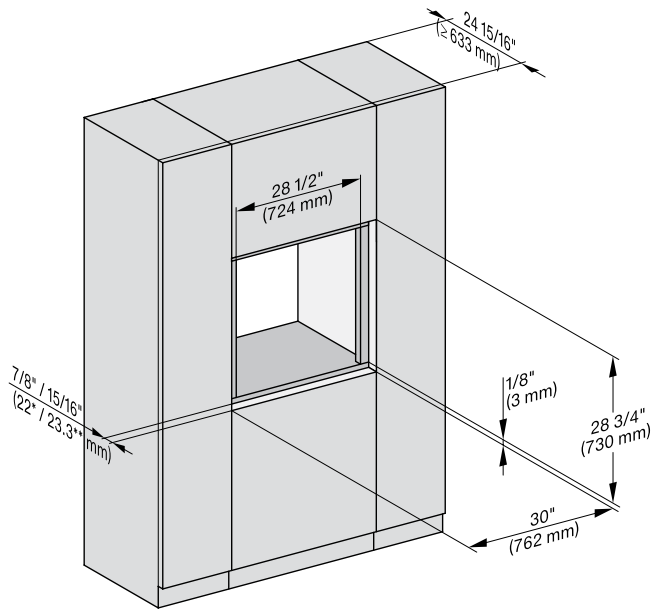
### PRODUCT DIMENSIONS



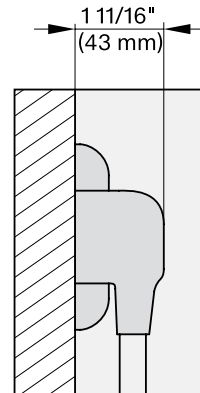
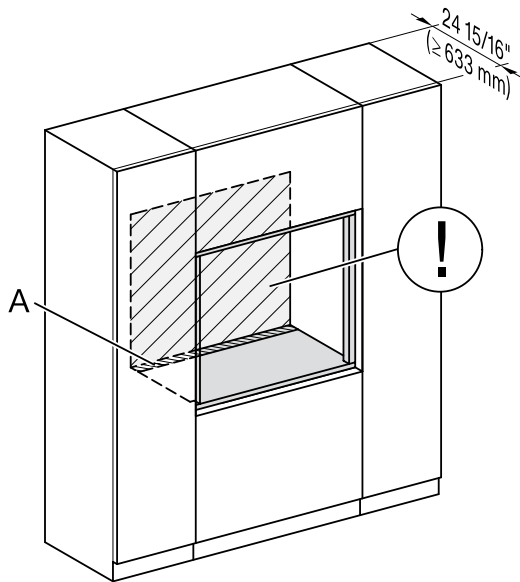
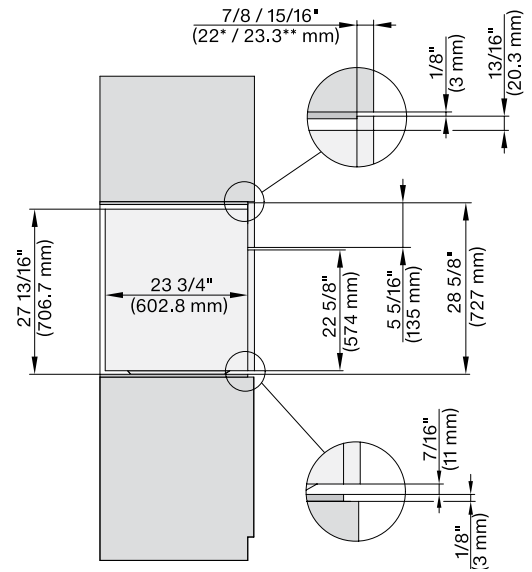
E = Electrical Connection  
W = Water Connection

## FLUSH CUTOUT DIMENSIONS

Front View



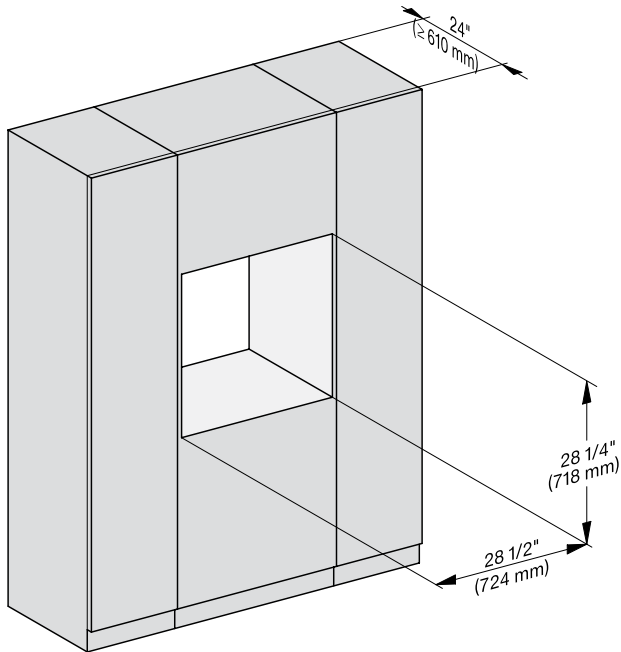
Side View



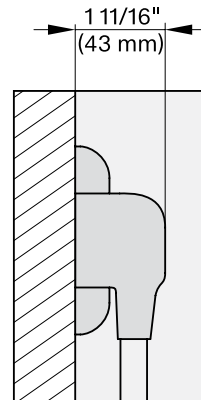
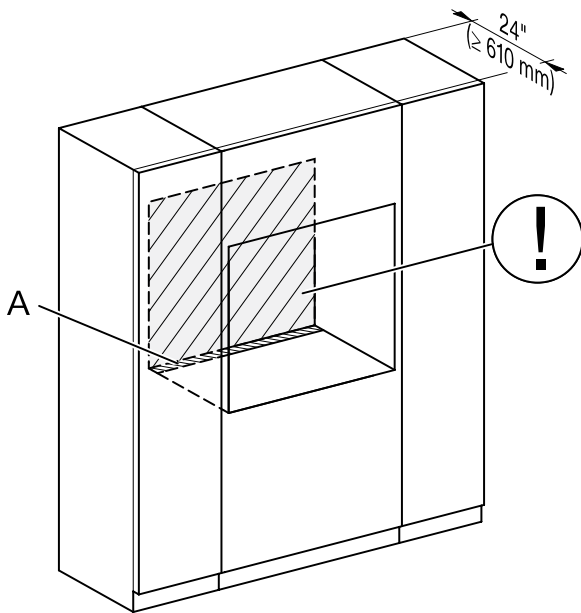
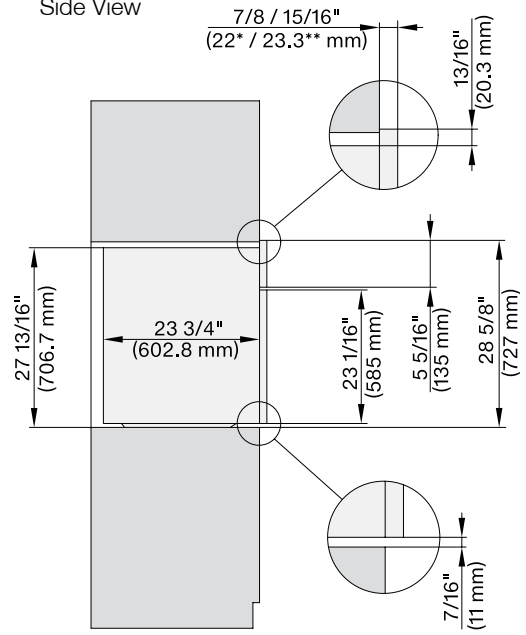
- A - Cut-out (4" x 28" [100 mm x 720 mm]) in the bottom of the cabinet for the power cord and Ventilation
- ⚠ - Electrical and water supplies are recommended to be placed in adjacent cabinetry.  
Additional cabinet depth is required when placing the electrical and water supplies behind the appliance.

## PROUD CUTOUT DIMENSIONS

Front View



Side View



A - Cut-out (4" x 28" [100 mm x 720 mm]) in the bottom of the cabinet for the power cord and Ventilation

ⓘ - Electrical and water supplies are recommended to be placed in adjacent cabinetry.

Additional cabinet depth is required when placing the electrical and water supplies behind the appliance.

## H 7870 BMX - Graphite Grey 30" Speed Oven - ArtLine

### Features:

- Speed ovens combine the functionality of a microwave and compact convection oven into one appliance
- Unique handleless design - For a clean and refined look
- M-Touch Display - Simple to use touch controls
- WifiConn@ct - Monitor appliances from your mobile device
- Motion React - Appliance reacts to you when approached
- Roast Probe - Precise temperature control of food
- Automatic programs - easily master new recipes



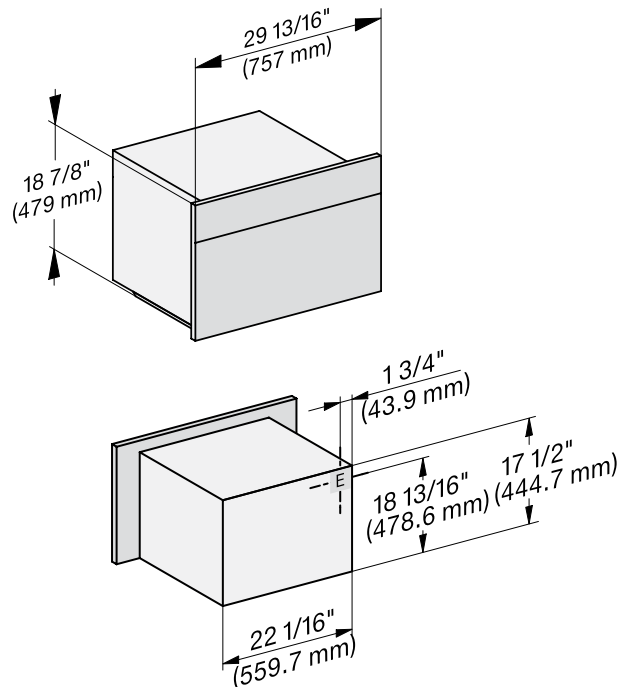
### Included:

- 1 Baking and Roasting Rack with Perfect Clean
- 2 Glass Dishes

MATERIAL #	UMRP	RETAIL
11804710	tbd.	tbd.

SPECIFICATIONS	
Overall Unit Dimensions	29 <sup>13</sup> / <sub>16</sub> " (757 mm) W x 18 <sup>7</sup> / <sub>8</sub> " (479 mm) H x 21 <sup>1</sup> / <sub>16</sub> " (551 mm) D
Niche	
Minimum Cabinet Niche Opening	28 <sup>1</sup> / <sub>2</sub> " (470 mm) W x 18 <sup>1</sup> / <sub>2</sub> " (724 mm) H x 24" (610 mm) D
Electrical	
Electrical Requirements	120/208-240V, 60Hz, 30 Amps
Power Cord	NEMA 14-30 plug, 5 ft (1.52 m)
Shipping	
Shipping Weight	128 lbs (58 kg)
Shipping Dimensions	30 <sup>5</sup> / <sub>8</sub> " (777 mm) W x 29 <sup>3</sup> / <sub>4</sub> " (743 mm) H x 32 <sup>7</sup> / <sub>8</sub> " (837 mm) D

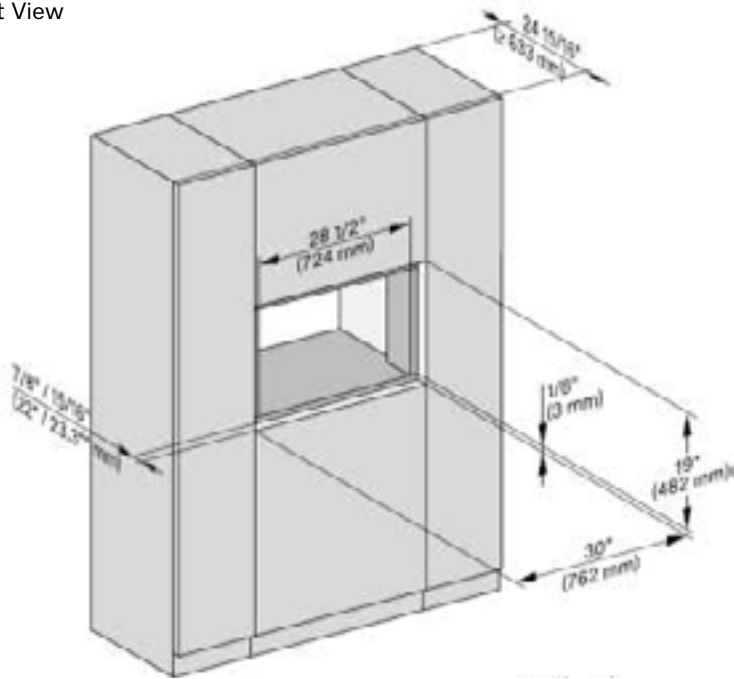
### PRODUCT DIMENSIONS



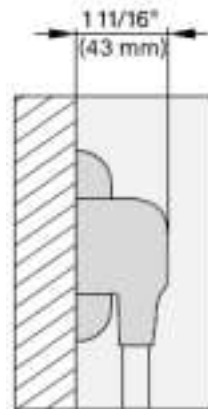
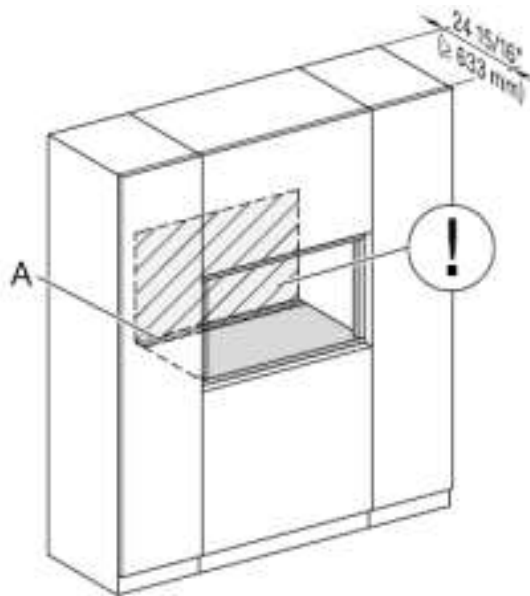
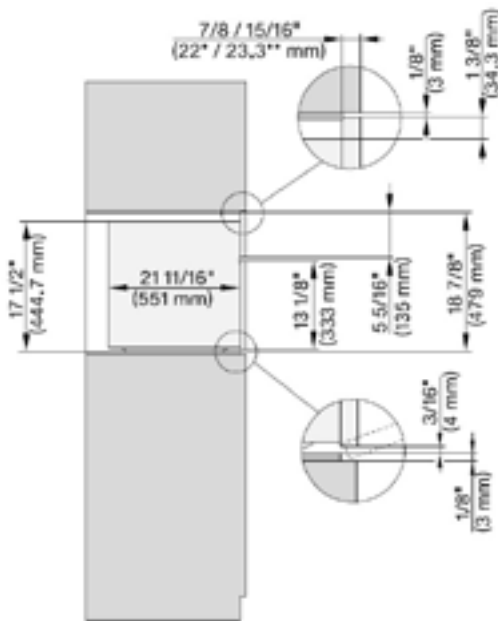
E = Electrical connection

## FLUSH CUTOUT DIMENSIONS

Front View



Side View



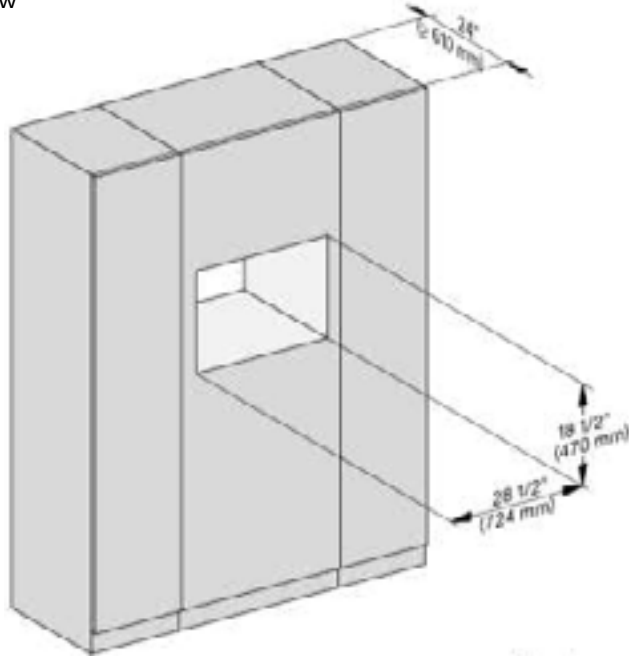
A - Cut-out (4" x 28" [100 mm x 720 mm]) in the bottom of the cabinet for the power cord and Ventilation

⚠- Electrical and water supplies are recommended to be placed in adjacent cabinetry.

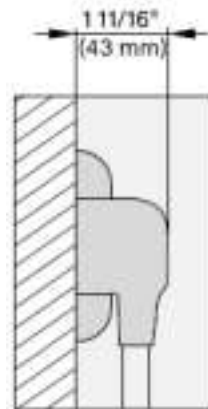
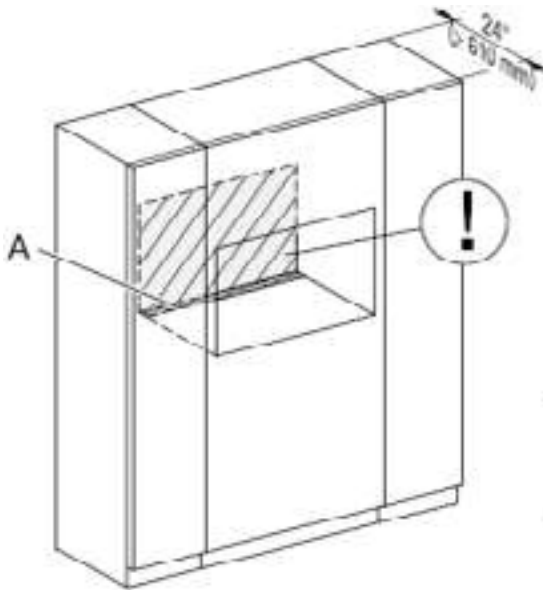
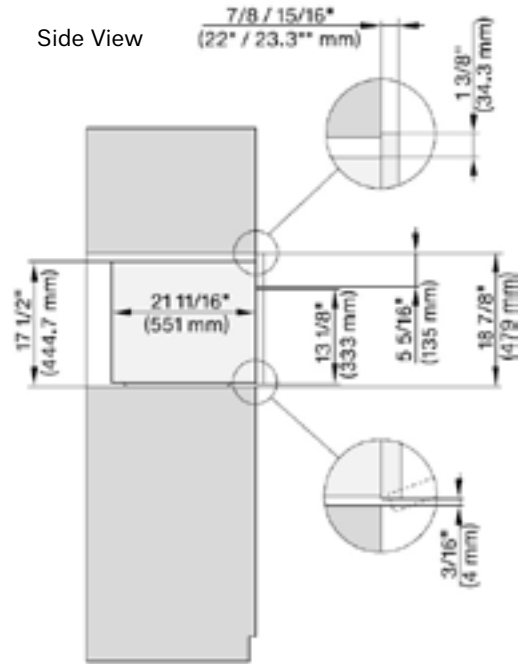
Additional cabinet depth is required when placing the electrical and water supplies behind the appliance.

## PROUD CUTOUT DIMENSIONS

Front View



Side View



A - Cut-out (4" x 28" [100 mm x 720 mm]) in the bottom of the cabinet for the power cord and Ventilation

ⓘ- Electrical and water supplies are recommended to be placed in adjacent cabinetry.

Additional cabinet depth is required when placing the electrical and water supplies behind the appliance.

## KM 7730 FR

30-inch induction cooktop, operated with its own controls  
with 4 round cooking zones



- Intuitive quick selection via number sequences – Smart Select
- Versatile – 4 cooking zones, 1 extra large with diameter of 11 in
- With a width of 30 5/8 (775) in (mm) and stainless steel frame for proud-mounting
- Shortest heating-up times – TwinBooster
- Communication with the ventilation hood – automatic Con@ctivity function

EAN: 4002516611493 / Material number: 12074200 /  
Old Material Number: 26773000USA

<b>Heating type</b>	
Fuel type	Induction
<b>Design</b>	
Independent of oven	•
<b>Design</b>	
Elegant glass ceramic surface	•
Surface-mounted/flush-fit	-/-
Ceramic surface color	Black
All-round stainless-steel frame	•
Proud installation	•
<b>Cooking zone details</b>	
No. of rings	4
Number of cooking areas	0
Maximum number of pans	4
<b>1st cooking zone/cooking area</b>	
Position	front left
Type	Variable cooking zone
Size in mm	Ø 180-280
Max. Booster power rating in W	3000
Max. rating in W	2600
Max. TwinBooster power rating in W	3700
<b>2nd cooking zone/cooking area</b>	
Position	rear left
Type	Variable cooking zone
Size in mm	Ø 100-160
Max. Booster power rating in W	1700
Max. rating in W	1400
Max. TwinBooster power rating in W	2200
<b>3rd cooking zone/cooking area</b>	
Position	rear right
Type	Variable cooking zone
Size in mm	Ø 140-190
Max. Booster power rating in W	2500
Max. rating in W	1850
Max. TwinBooster power rating in W	3000
<b>4th cooking zone/cooking area</b>	
Position	front right
Type	Variable cooking zone
Size in mm	Ø 140-190
Max. Booster power rating in W	2500
Max. rating in W	1850
Max. TwinBooster power rating in W	3000
<b>User convenience</b>	
Networking with Miele@home	•
Automatic function	Con@ctivity 3.0
Pan and pan size recognition	•
Operation via touchpad sensors	Smart Select
Display color	Yellow

## KM 7730 FR

30-inch induction cooktop, operated with its own controls  
with 4 round cooking zones



EAN: 4002516611493 / Material number: 12074200 /  
Old Material Number: 26773000USA

Permanent pan recognition	•
Stop & Go function	•
Wipe protection	•
Recall function	•
Minute minder	•
Automatic switch-off for all rings	•
AutoBoost	•
Keep-warm function	•
Individual setting options (e.g. acoustic signal tones)	•
<b>Cleaning convenience</b>	
Easy to clean ceramic glass	•
<b>Safety</b>	
Safety cut-out	•
Lock function	•
System lock	•
Integrated cooling blower	•
Overheating protection	•
Residual heat indicator	•
<b>Technical data</b>	
Dimensions (width) in in. (mm)	30 5/8 (775)
Dimensions (height) in in. (mm)	3 1/8 (78)
Dimensions in mm (depth)	21 1/2 (544)
Cutout dimensions (width) in in. (mm)	28 5/8 in (724 mm)
Cutout dimensions (depth) in in. (mm)	20 1/2 in (518 mm)
Casing height incl. connection box in mm	2 7/8 (71)
Weight in lbs. (kg)	37 (17)
Total connected load in kW	6.60-7.60
Power cord length in in. (m)	3 (1.2)
Voltage in V	208-240
Frequency in Hz	50-60
<b>Standard accessories</b>	
Power cord	Yes





**Miele**

30" Downdraft Hood  
Flush Mounting

DA 6881 Levantar



This document is in no way a substitute for the Operating Instructions and Installation Specifications supplied with the appliance. Please refer to the Operating Instructions and Specifications supplied with your appliance (or online at [miele.ca](http://miele.ca)) prior to installing or using for the first time.

\*Image of 36" Downdraft DA 6891

# 30" Downdraft Hood DA 6881 Levantar



## Flush Installation



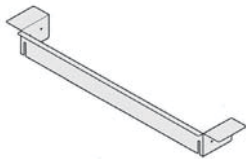
DA 6881  
Features:

- Very sleek and modern look
- Touch on glass controls
- LED ClearView lighting with dimmer functionality (1 x 6W)
- Telescopic downdraft system raises 16" over cooktop surface
- Four fan speeds (incl. intensive)
- Dishwasher-safe stainless steel filter hidden behind black glass panels
- Option of DAG 600 internal blower or DAG 1000 external blower
- Vented or recirculating
- Delayed shutdown: 5 or 15 minutes

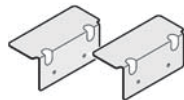
SPECIFICATIONS	
DA 6881 w/DAG600	
DA 6881 w/DAG1000	
Overall Unit Width	30" (762 mm)
Overall Unit Height (Unextended)	25 <sup>11</sup> / <sub>16</sub> " (652 mm)
Overall Unit Height (Extended)	41 <sup>11</sup> / <sub>16</sub> " (1,058 mm)
Overall Canopy Height	16" (406 mm)
Overall Unit Depth	4 <sup>3</sup> / <sub>4</sub> " (120 mm)
Built-In	
Minimum Opening Width	25 <sup>15</sup> / <sub>16</sub> " (659 mm)
Minimum Opening Depth	4 <sup>1</sup> / <sub>4</sub> " (108 mm)
Minimum Opening Height (Including Countertop)	25 <sup>13</sup> / <sub>16</sub> " (656 mm)
Fan	
Fan Speeds	4
Blower	DA 6881 w/DAG 600 DA 6881 w/DAG 1000
Duct	
Duct Diameter	DAG 600 → 6" (150 mm) DAG 1000 → 10" (254 mm)
Electrical	
Electrical Requirements	120V, 60Hz, 15A
Power Cable	Ventilation system must be hardwired
Shipping	
Shipping Weight	63 lbs (28.6 kg)
Shipping Dimensions	36 <sup>7</sup> / <sub>8</sub> " W x 30 <sup>5</sup> / <sub>8</sub> " H x 10 <sup>7</sup> / <sub>8</sub> " D
Support	
Call Miele	800.565.6435
Miele Website	<a href="http://www.miele.ca">www.miele.ca</a>

If you are planning to install an oven in front of the appliance, the appropriate installation advice and dimensions regarding cool air circulation must be observed.

## STANDARD ACCESSORIES



Single Support Bracket for One Cutout Installation



Two Support Brackets for One or Two Cutout(s) Installation

# 30" Downdraft Hood DA 6881 Levantar



## - Flush Installation

### OPTIONAL ACCESSORIES



DAG 600  
Internal Blower



DAG 1000  
External Blower



R2000  
Reducing collar limits air flow  
with DAG 600



DUU 2900  
Recirculation kit for use  
with DAG 600



DUU 150  
Recirculation kit  
for straight ductwork



DUU 151  
Recirculation kit  
for curved or bending  
ductwork



DKF18-1  
Replacement OdorFree  
charcoal filter for DUU 2900



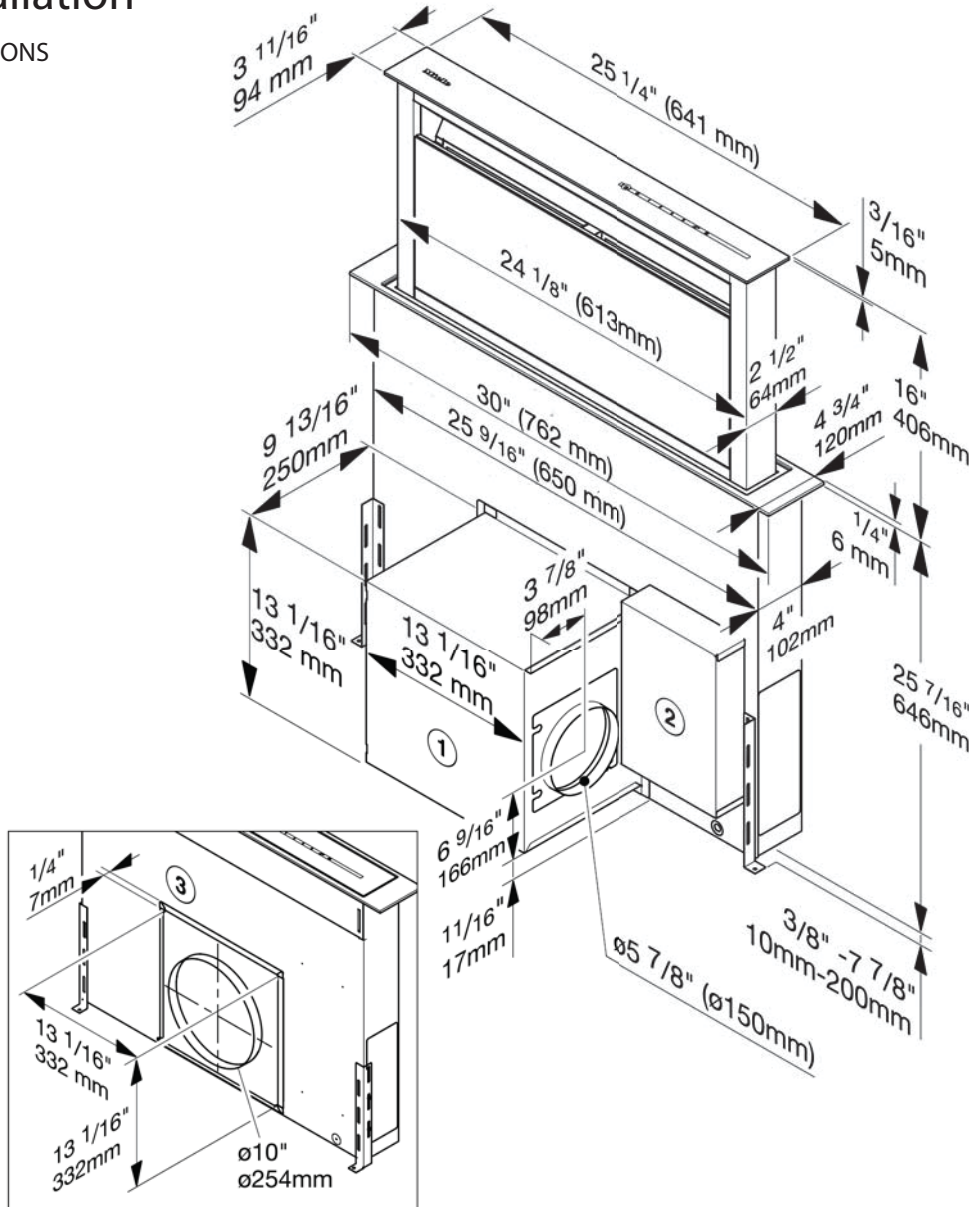
DKF 22-1  
Replacement OdorFree  
charcoal filters for use with  
DUU 150 and DUU 151

# 30" Downdraft Hood DA 6881 Levantar



## - Flush Installation

### PRODUCT SPECIFICATIONS



- ① The DAG 600 blower can be rotated and mounted with the exhaust air direction pointing up, to the left, to the right or down.
- ② The connection box can be positioned anywhere in the cabinet.
- ③ Cover for use with the DAG 1000 external blower.

The DAG 600 blower or the cover for the DAG 1000 blower can also be installed in the same position at the back of the appliance.

#### Exhaust connection:

with internal DAG 600 blower:  $\varnothing$  6" (150 mm).

with external DAG 1000 blower:  $\varnothing$  10" (254 mm).

Please refer to the cooktop manufacturer's instructions when installing in combination with a cooktop. The installation and safety distance requirements must be maintained.

The total output of a multi-burner gas cooktop must not exceed 73,800 BTU, with no single burner exceeding 16,500 BTU. Gas cooktops with a greater output cannot be used in combination with this downdraft.

# 30" Downdraft Hood DA 6881 Levantar

# Miele

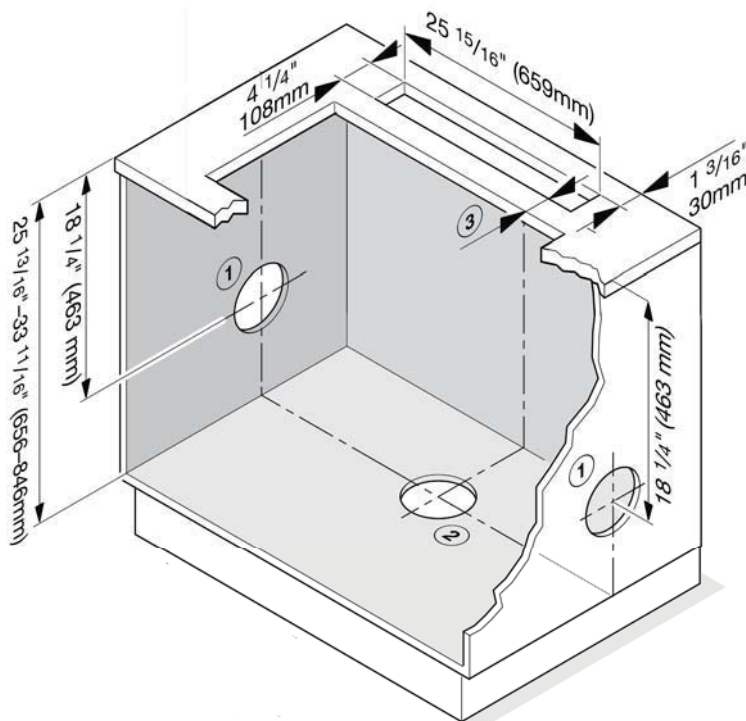
## - Flush Installation

### TWO INDIVIDUAL CUTOUTS INSTALLATION SPECIFICATIONS

Cutout Dimensions for Two (2) Cutouts

- Flush Mount Installation

- Allows for Installation with Flush Mounted  
Downdraft in Combination with Flush or  
Proud Mounted Combisets and Cooktops



Exhaust or recirculation mode with DAG 600 blower installed at the front of the downdraft. Exhaust ducting ( $\varnothing$  6" (150 mm))

- ① Exhaust ducting to the right or left.
- ② Exhaust ducting downwards.
  - a) Overhang of the cooktop
  - b) Cooktop cutout
- ③ If the downdraft and cooktop are installed in separate cutouts, ensure adequate stability of the strip in between.

If the blower is to be installed at the back of the downdraft, ensure that there is adequate space for installation.

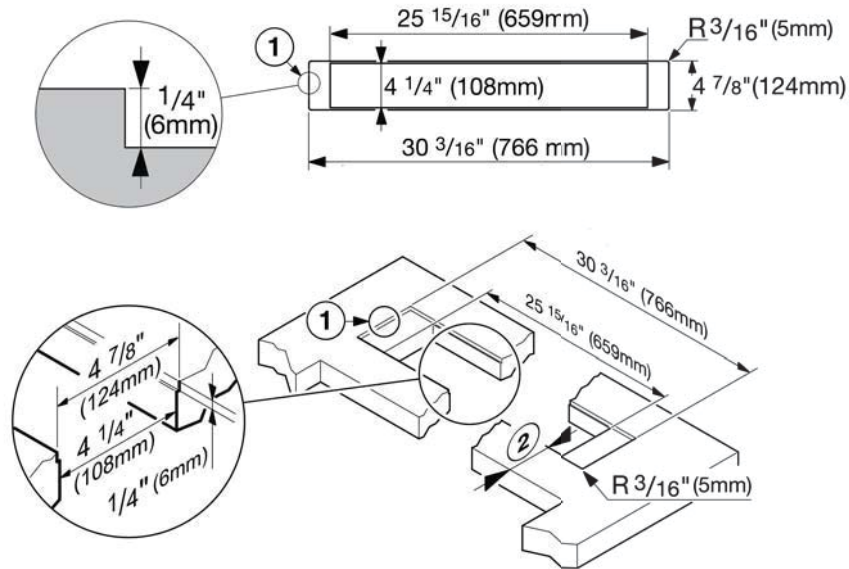
# 30" Downdraft Hood DA 6881 Levantar



## - Flush Installation

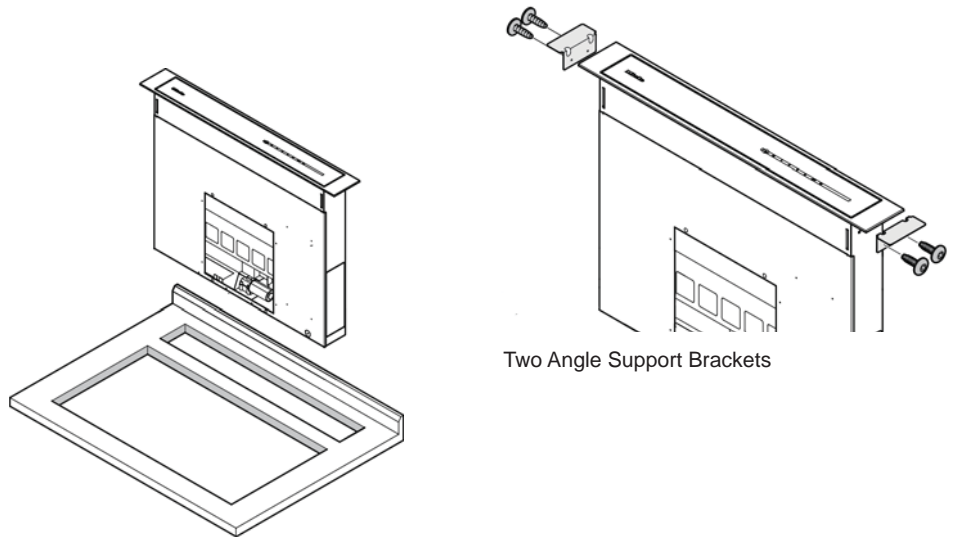
TWO INDIVIDUAL CUTOUTS INSTALLATION  
SPECIFICATIONS  
Cutout Dimensions for Two (2) Cutouts

- Flush Mount Installation  
- Allows for Installation with Flush Mounted Downdraft in Combination with Flush or Proud Mounted Combisets and Cooktops



- ① Stepped cutout for flush-fit installation in stone worktops (granite, marble)
- ② If the downdraft and cooktop are installed in separate cutouts, ensure adequate stability of the strip in between.

INSTALLATION SPECIFICATIONS  
Two (2) Individual Cutout Support  
Brackets (Included)



Two Angle Support Brackets

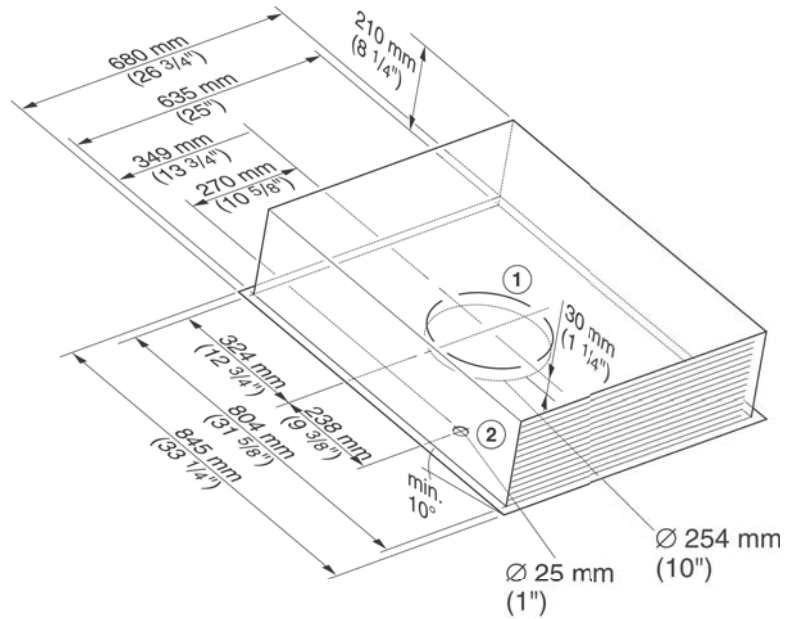
Two small angle brackets are mounted on the downdraft extractor. They serve as a support for the downdraft extractor when the downdraft extractor and cooktop are installed in two separate cutouts.

# 30" Downdraft Hood DA 6881 Levantar



## - Flush Installation

EXTERNAL BLOWER DAG 1000  
(Optional Accessory)



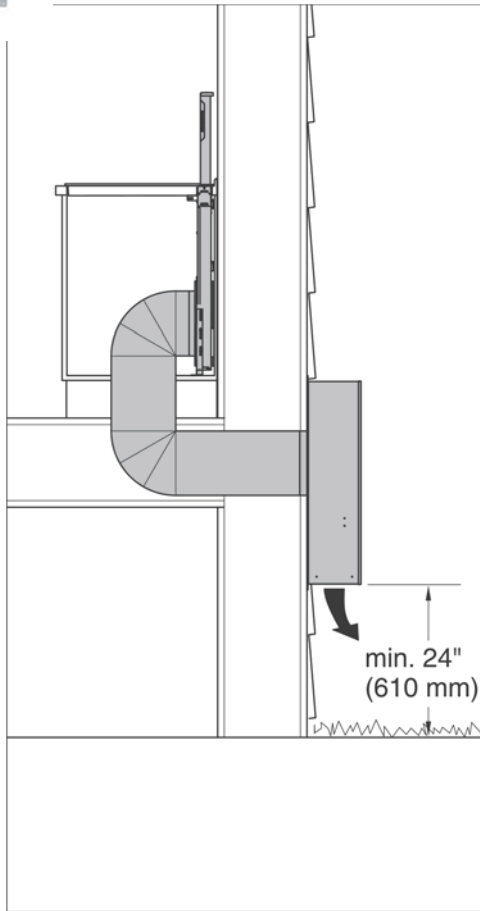
- ① Exhaust air connection
- ② Power cord feed-through (strain relief)

# 30" Downdraft Hood DA 6881 Levantar

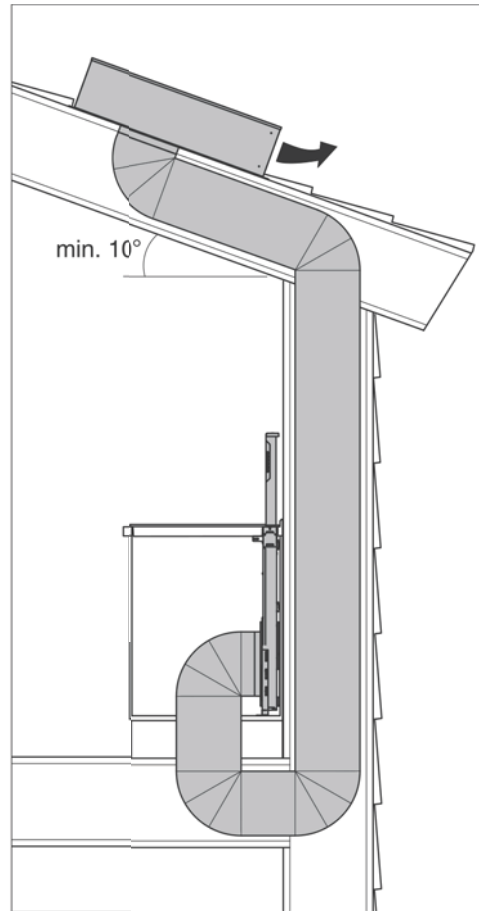


## - Flush Installation

EXTERNAL BLOWER DAG 1000 - CONTINUED  
(Optional Accessory)



Example: Installation on an external wall



Example: Installation on a roof

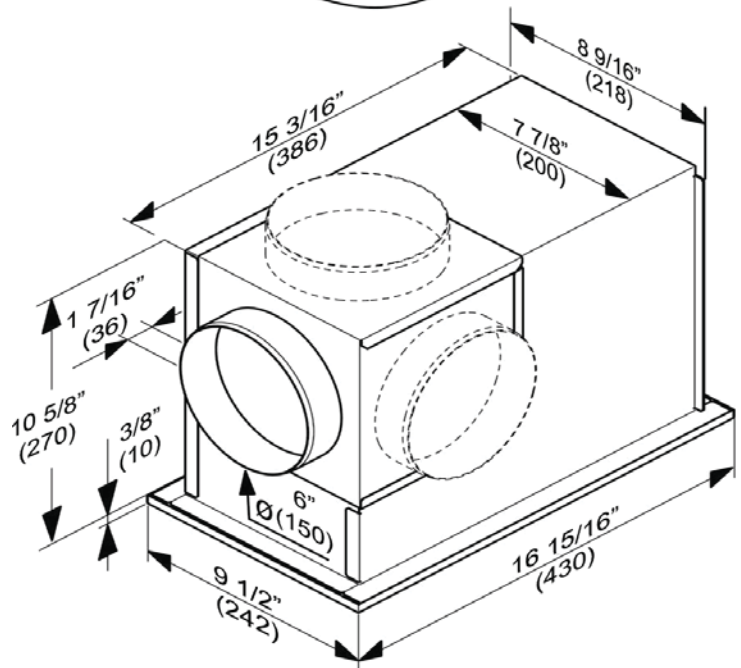
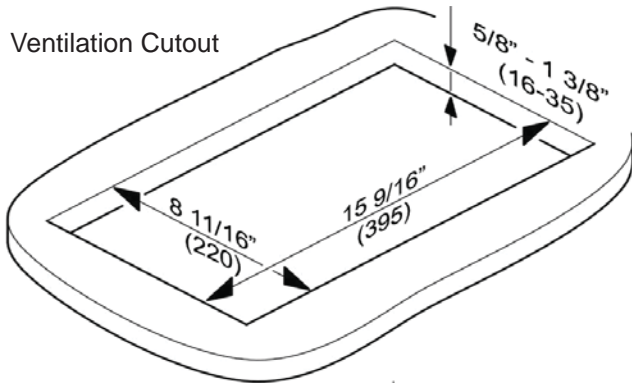
The exhaust connection can be connected to either the front or back of the downdraft. For more information see the installation diagram for the downdraft.

# 30" Downdraft Hood DA 6881 Levantar



## - Flush Installation

RECIRCULATION KIT DUU 2900  
(Optional Accessory)

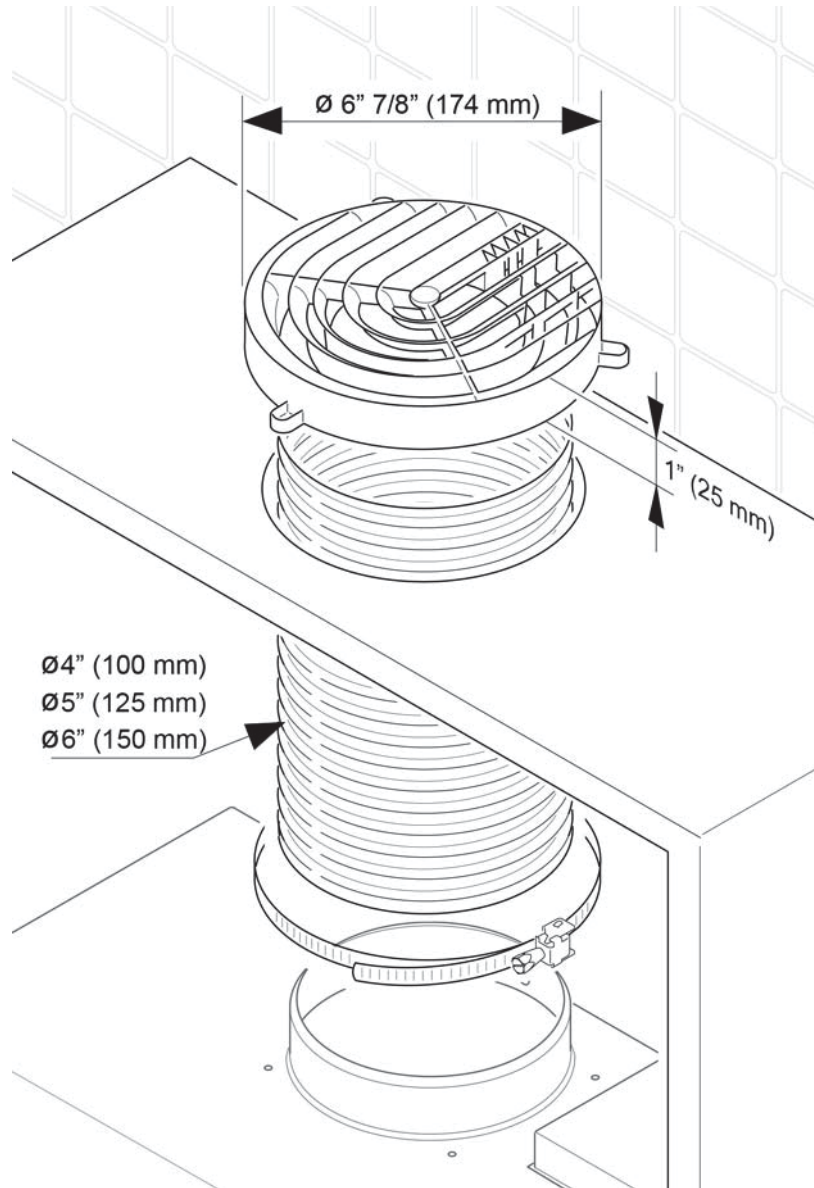


# 30" Downdraft Hood DA 6881 Levantar



## - Flush Installation

RECIRCULATION KIT DUU 150  
(Optional Accessory)

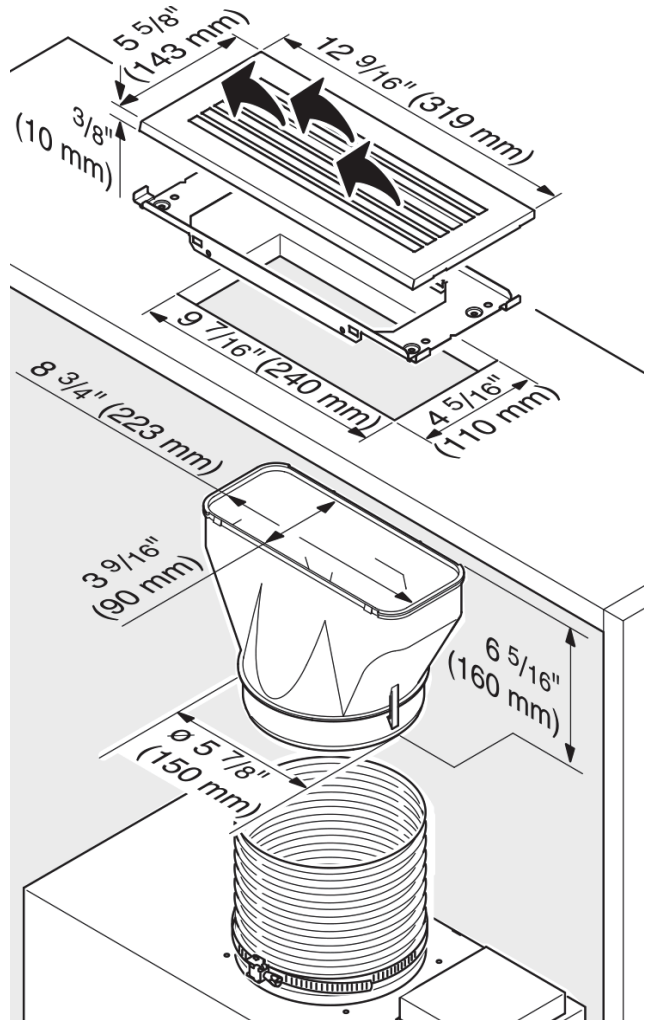


# 30" Downdraft Hood DA 6881 Levantar



## - Flush Installation

RECIRCULATION KIT DUU 151  
(Optional Accessory)

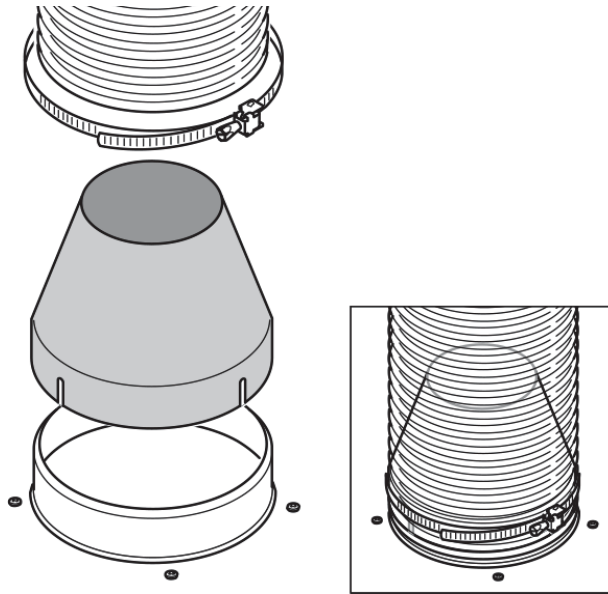


# 30" Downdraft Hood DA 6881 Levantar



## - Flush Installation

R2000  
(Optional Accessory)



If you would like to reduce the environmental impact of your ventilation system the Reducing Collar can be installed.

**Miele**

30" Downdraft Hood  
Proud Mounting

DA 6881 Levantar



This document is in no way a substitute for the Operating Instructions and Installation Specifications supplied with the appliance. Please refer to the Operating Instructions and Specifications supplied with your appliance (or online at [miele.ca](http://miele.ca)) prior to installing or using for the first time.

# 30" Downdraft Hood DA 6881 Levantar - Proud Installation



DA 6881  
Features:

- Very sleek and modern look
- Touch on glass controls
- LED ClearView lighting with dimmer functionality (1 x 6W)
- Telescopic downdraft system raises 16" over cooktop surface
- Four fan speeds (incl. intensive)
- Dishwasher-safe stainless steel filter hidden behind black glass panels
- Option of DAG 600 internal blower or DAG 1000 external blower
- Vented or recirculating
- Delayed shutdown: 5 or 15 minutes

## SPECIFICATIONS

DA 6881 w/DAG600

DA 6881 w/DAG1000

Overall Unit Width 30" (762 mm)

Overall Unit Height (Unextended) 25<sup>11</sup>/<sub>16</sub>" (652 mm)

Overall Unit Height (Extended) 41<sup>11</sup>/<sub>16</sub>" (1,058 mm)

Overall Canopy Height 16" (406 mm)

Overall Unit Depth 4<sup>3</sup>/<sub>4</sub>" (120 mm)

### Built-In

Minimum Opening Width 25<sup>15</sup>/<sub>16</sub>" (659 mm)

Minimum Opening Depth 4<sup>1</sup>/<sub>4</sub>" (108 mm)

Minimum Opening Height (Including Countertop) 25<sup>13</sup>/<sub>16</sub>" (656 mm)

### Fan

Fan Speeds 4

Blower DA 6881 w/DAG 600  
DA 6881 w/DAG 1000

### Duct

Duct Diameter DAG 600 → 6" (150 mm)  
DAG 1000 → 10" (254 mm)

### Electrical

Electrical Requirements 120V, 60Hz, 15A

Power Cable Ventilation system must be hardwired

### Shipping

Shipping Weight 63 lbs (28.6 kg)

Shipping Dimensions 36<sup>7</sup>/<sub>8</sub>" W x 30<sup>5</sup>/<sub>8</sub>" H x 10<sup>7</sup>/<sub>8</sub>" D

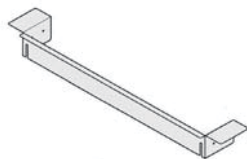
### Support

Call Miele 800.565.6435

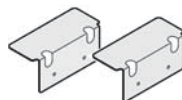
Miele Website [www.miele.ca](http://www.miele.ca)

If you are planning to install an oven in front of the appliance, the appropriate installation advice and dimensions regarding cool air circulation must be observed.

## STANDARD ACCESSORIES



Single Support Bracket for One Cutout Installation



Two Support Brackets for One or Two Cutout(s) Installation

# 30" Downdraft Hood DA 6881 Levantar



## - Proud Installation

### OPTIONAL ACCESSORIES



DAG 600  
Internal Blower



DAG 1000  
External Blower



R2000  
Reducing collar limits air flow  
with DAG 600



DUU 2900  
Recirculation kit for use  
with DAG 600



DUU 150  
Recirculation kit  
for straight ductwork



DUU 151  
Recirculation kit  
for curved or bending  
ductwork



DKF18-1  
Replacement OdorFree  
charcoal filter for DUU 2900



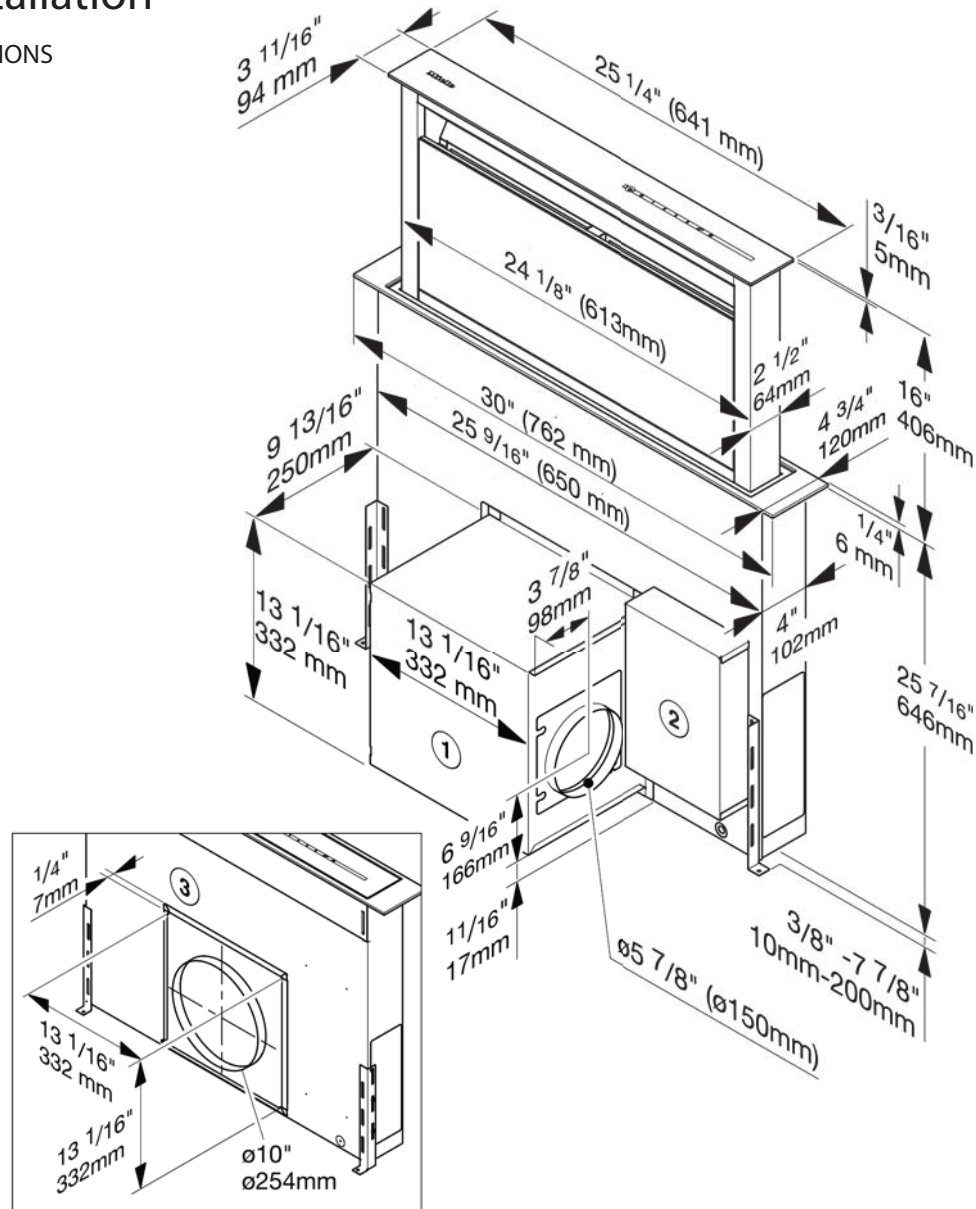
DKF 22-1  
Replacement OdorFree  
charcoal filters for use with  
DUU 150 and DUU 151

# 30" Downdraft Hood DA 6881 Levantar



## - Proud Installation

### PRODUCT SPECIFICATIONS



- ① The DAG 600 blower can be rotated and mounted with the exhaust air direction pointing up, to the left, to the right or down.
- ② The connection box can be positioned anywhere in the cabinet.
- ③ Cover for use with the DAG 1000 external blower.

The DAG 600 blower or the cover for the DAG 1000 blower can also be installed in the same position at the back of the appliance.

Exhaust connection:  
 with internal DAG 600 blower: Ø 6" (150 mm).  
 with external DAG 1000 blower: Ø 10" (254 mm).

Please refer to the cooktop manufacturer's instructions when installing in combination with a cooktop. The installation and safety distance requirements must be maintained.  
 The total output of a multi-burner gas cooktop must not exceed 73,800 BTU, with no single burner exceeding 16,500 BTU. Gas cooktops with a greater output cannot be used in combination with this downdraft.

# 30" Downdraft Hood DA 6881 Levantar

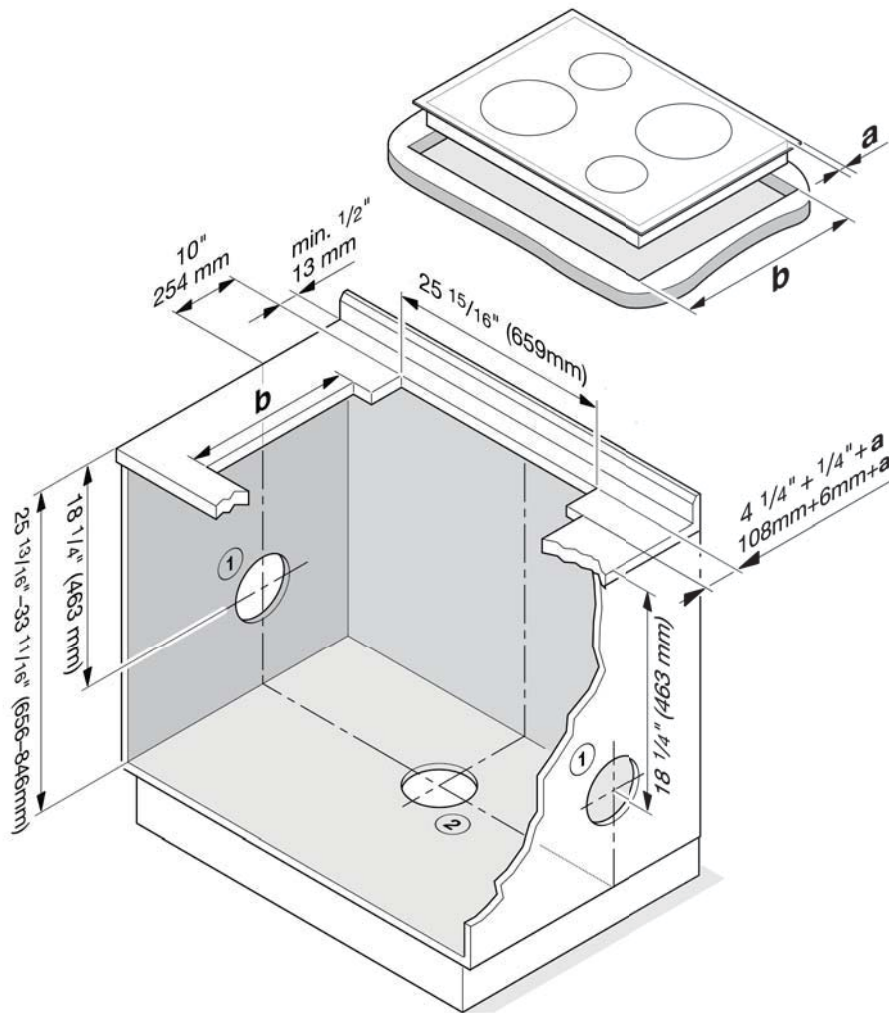
# Miele

## - Proud Installation

### OPTION 1

ONE CUTOUT INSTALLATION SPECIFICATIONS  
Cutout Dimensions for One (1) Cutout

Proud Mount Installation



Exhaust or recirculation mode with DAG 600 blower installed at the front of the downdraft. Exhaust ducting ( $\varnothing$  6" (150 mm))

- ① Exhaust ducting to the right or left.
- ② Exhaust ducting downwards.
- a) Overhang of the cooktop
- b) Cooktop cutout
- ③ If the downdraft and cooktop are installed in separate cutouts, ensure adequate stability of the strip in between.

If the blower is to be installed at the back of the downdraft, ensure that there is adequate space for installation.

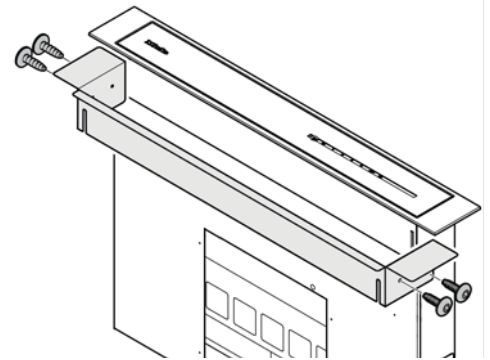
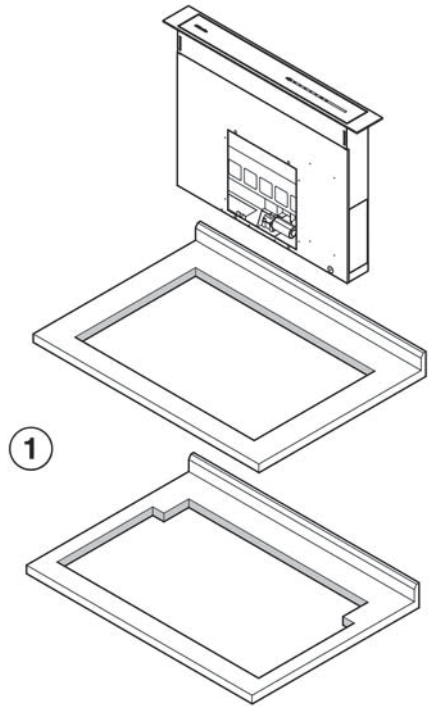
# 30" Downdraft Hood DA 6881 Levantar



## - Proud Installation

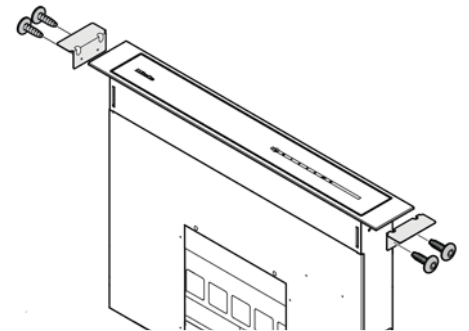
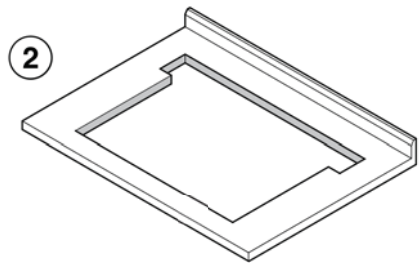
### OPTION 1

INSTALLATION SPECIFICATIONS  
One Cutout Options with Support  
Bracket(s) (Included)



Single Support Bracket

A support bracket is mounted on the downdraft extractor. It serves as a support for the cooktop when the downdraft extractor and the cooktop are installed in a common cutout ①.



Two Angle Support Brackets

In the following situation, the support bracket should be replaced with two small angle brackets. The downdraft extractor and cooktop are installed in a common cutout, but the cutout for the cooktop is narrower ②.

# 30" Downdraft Hood DA 6881 Levantar

# Miele

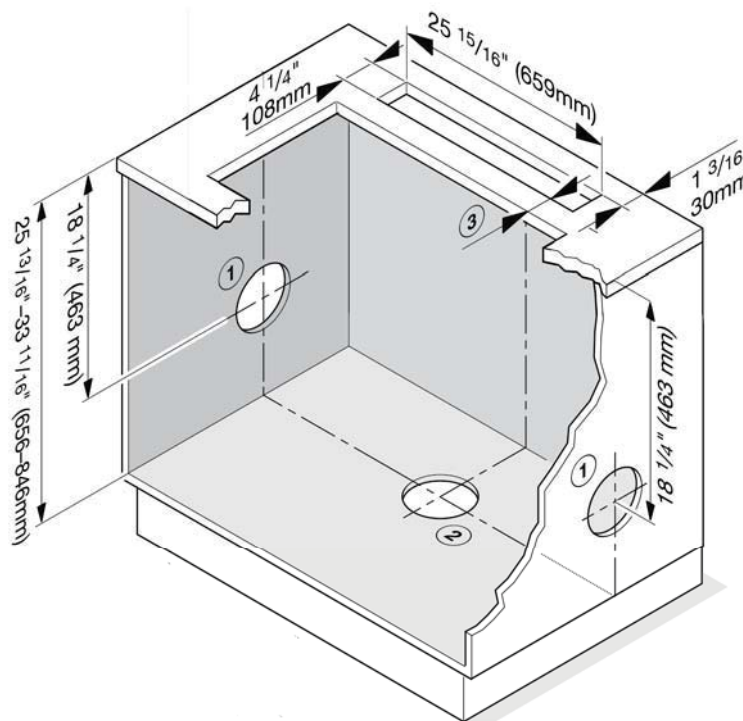
## - Proud Installation

### OPTION 2

TWO CUTOUT INSTALLATION SPECIFICATIONS  
Cutout Dimensions for Two (2) Cutouts

- Proud Mount Installation

- Allows for Installation with Proud Mounted Downdraft in Combination with Flush or Proud Mounted Combisets and Cooktops



Exhaust or recirculation mode with DAG 600 blower installed at the front of the downdraft. Exhaust ducting ( $\varnothing$  6" (150 mm))

- ① Exhaust ducting to the right or left.
- ② Exhaust ducting downwards.
  - a) Overhang of the cooktop
  - b) Cooktop cutout
- ③ If the downdraft and cooktop are installed in separate cutouts, ensure adequate stability of the strip in between.

If the blower is to be installed at the back of the downdraft, ensure that there is adequate space for installation.

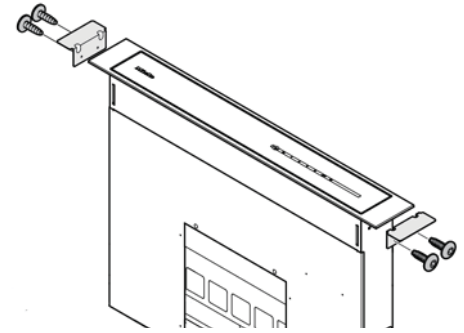
# 30" Downdraft Hood DA 6881 Levantar



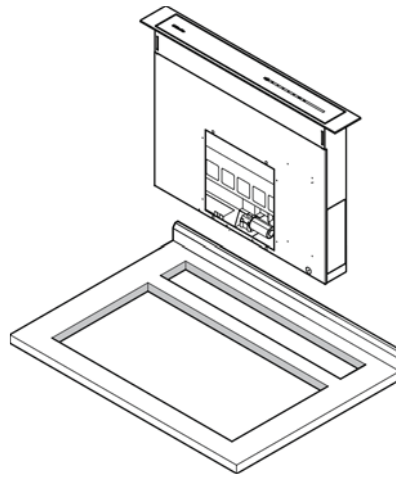
## - Proud Installation

### OPTION 2

INSTALLATION SPECIFICATIONS Two  
(2) Cutouts Option with Support  
Brackets (Included)



Two Angle Support Brackets



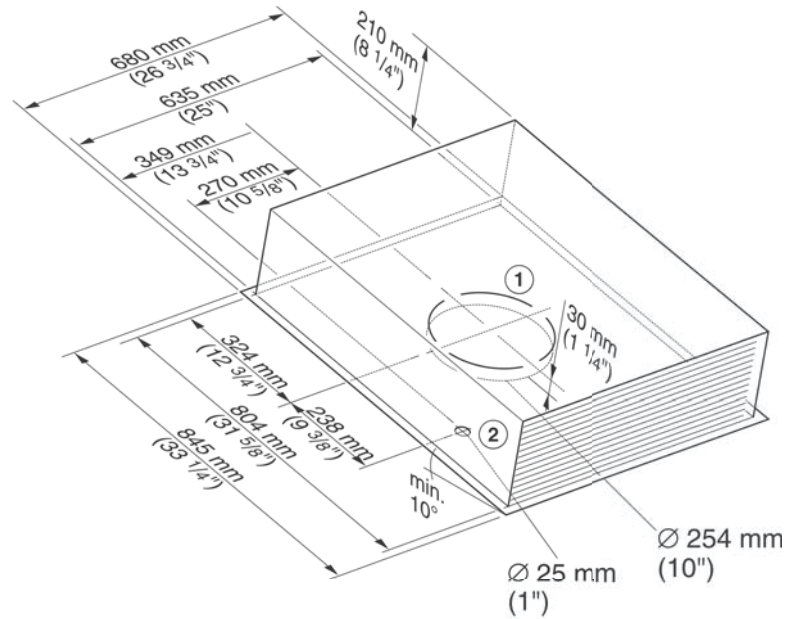
Two small angle brackets are mounted on the downdraft extractor. They serve as a support for the downdraft extractor when the downdraft extractor and cooktop are installed in two separate cutouts.

# 30" Downdraft Hood DA 6881 Levantar



## - Proud Installation

EXTERNAL BLOWER DAG 1000  
(Optional Accessory)



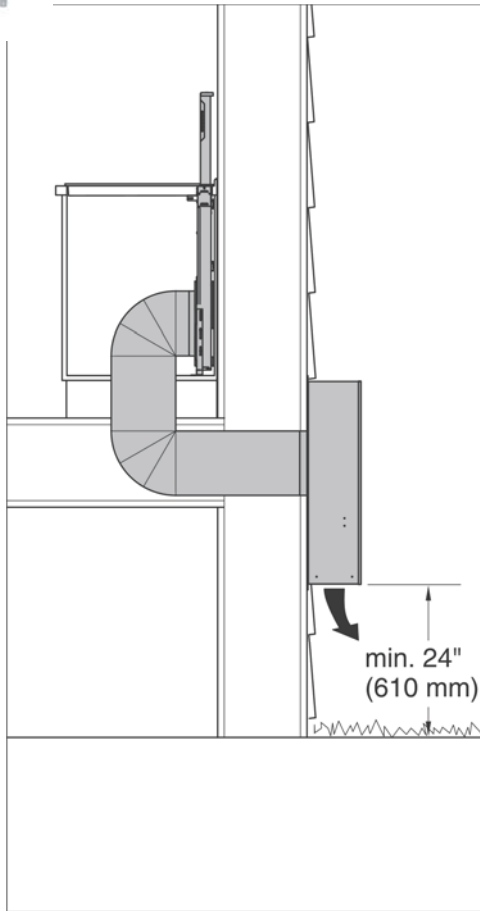
- ① Exhaust air connection
- ② Power cord feed-through (strain relief)

# 30" Downdraft Hood DA 6881 Levantar

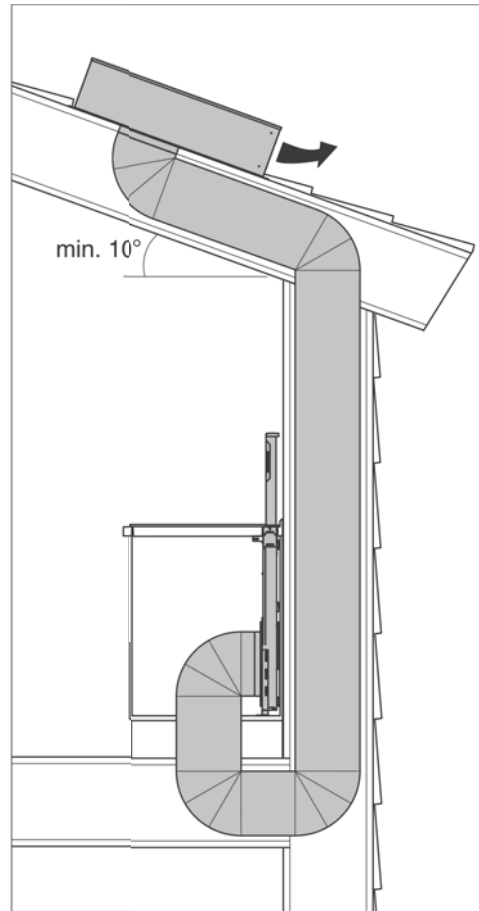


## - Proud Installation

EXTERNAL BLOWER DAG 1000 - CONTINUED  
(Optional Accessory)



Example: Installation on an external wall



Example: Installation on a roof

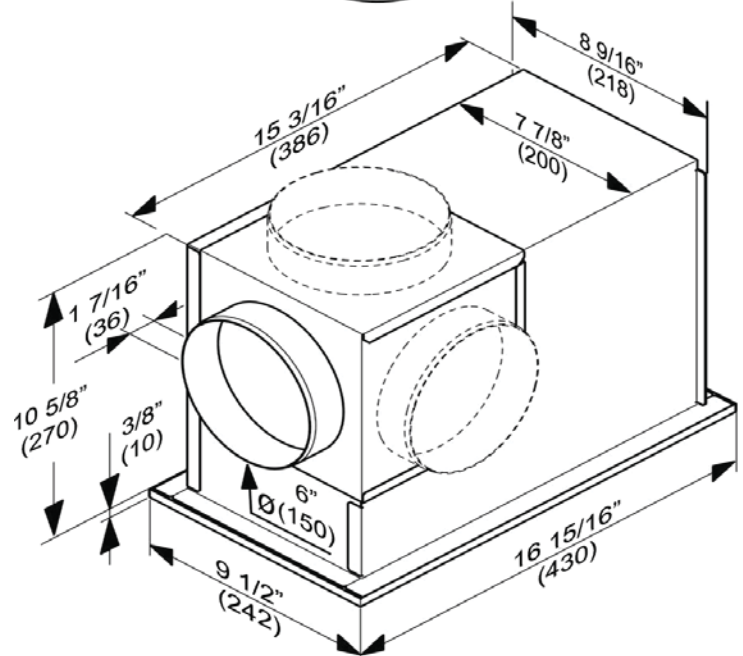
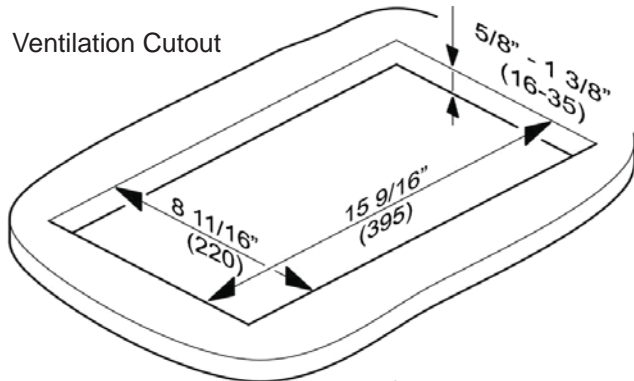
The exhaust connection can be connected to either the front or back of the downdraft. For more information see the installation diagram for the downdraft.

# 30" Downdraft Hood DA 6881 Levantar



## - Proud Installation

Recirculation Kit DUU 2900  
(Optional Accessory)

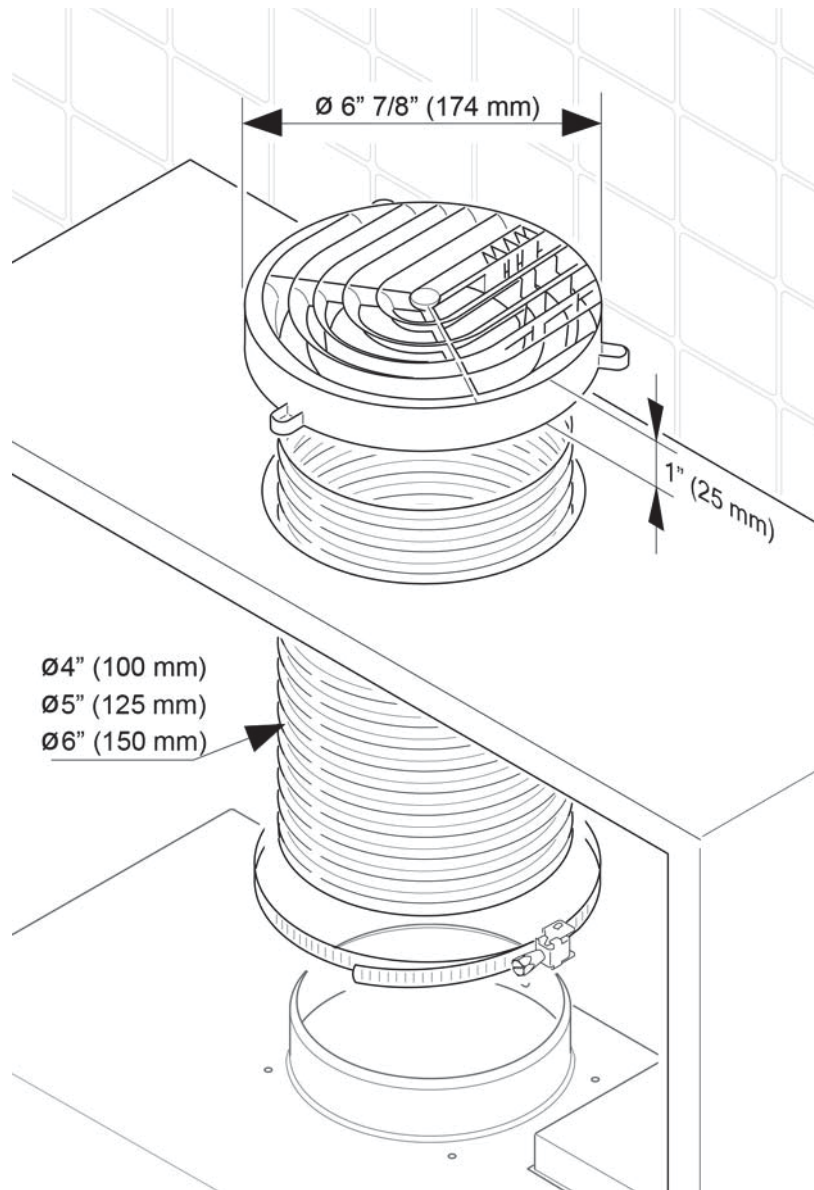


# 30" Downdraft Hood DA 6881 Levantar



## - Proud Installation

Recirculation Kit DUU 150  
(Optional Accessory)

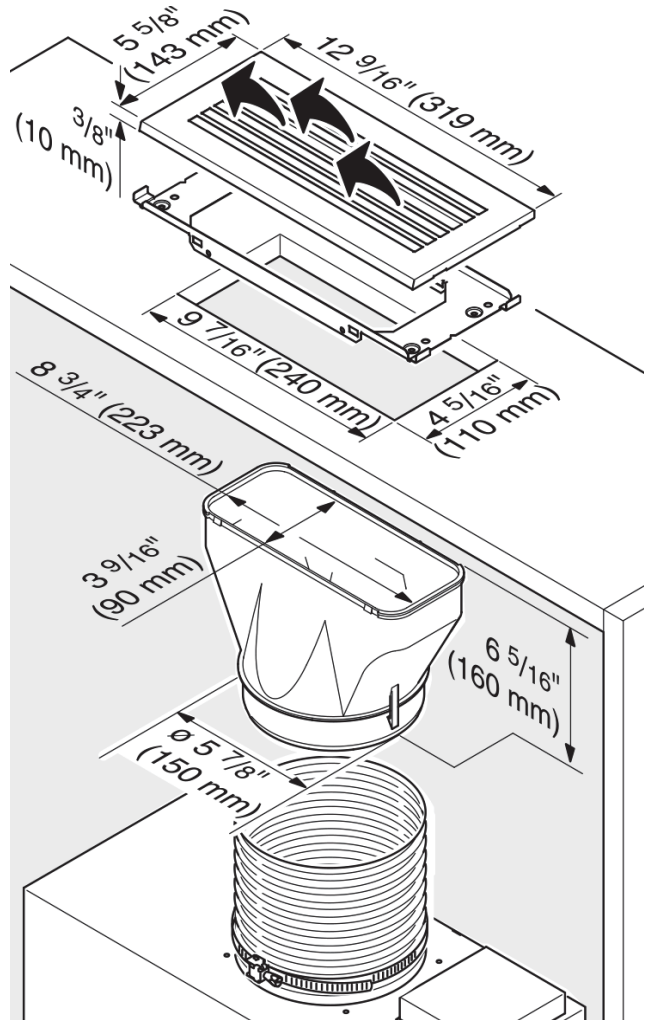


# 30" Downdraft Hood DA 6881 Levantar



## - Proud Installation

Recirculation Kit DUU 151  
(Optional Accessory)

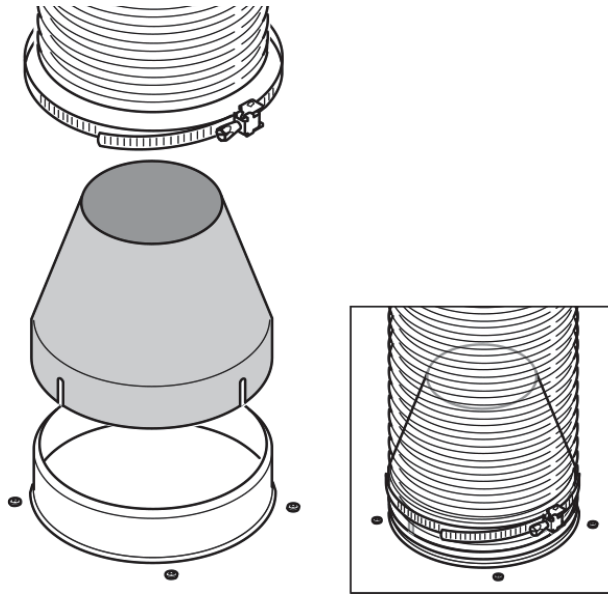


# 30" Downdraft Hood DA 6881 Levantar



## - Proud Installation

R2000  
(Optional Accessory)



If you would like to reduce the environmental impact of your ventilation system the Reducing Collar can be installed.

DAG600 INTERNES GEBLÄSE USA 120/60 TLK

Internal blower

additionally necessary for DA 68x1.

EAN: 4002515822685 / Material number: 10596850 / Old Material Number: 28996377USA



- The blower can be positioned in front of or behind the hood
- Vent connection 6" (150 mm) Ø

## DUU 2900-900

Recirculation conversion kit for DA 28xx, DA 290x and DA 68x1  
For converting ceiling extractors from air vented to recirculation mode.

EAN: 4002516137344 / Material number: 11131670 / Old Material Number: 28996400USA



- For converting downdraft and ceiling extractors
- Uniform airflow in recirculation mode
- Reduces airflow noises
- Extraction connection for ducting at top, rear, or side
- With 2 DKF 18-900 OdorFree charcoal filters

## G 5051 SCVi ADA 24" Fully Integrated Dishwasher

### Features:

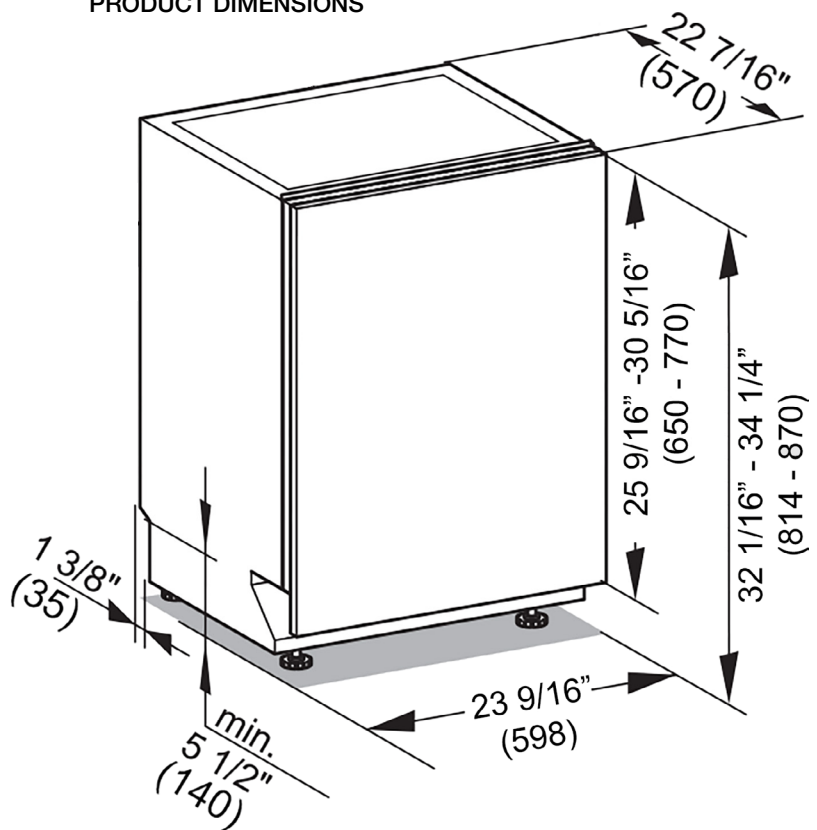
- DirectSelect Controls
- QuickIntenseWash - 58 min. program
- Whisper quiet 44 dB
- Original Cutlery Tray
- ExtraClean & ExtraDry Options to customize wash programs
- Delayed Start
- SaniWash - Sanitize cycle
- ADA Compliant
- EnergyStar



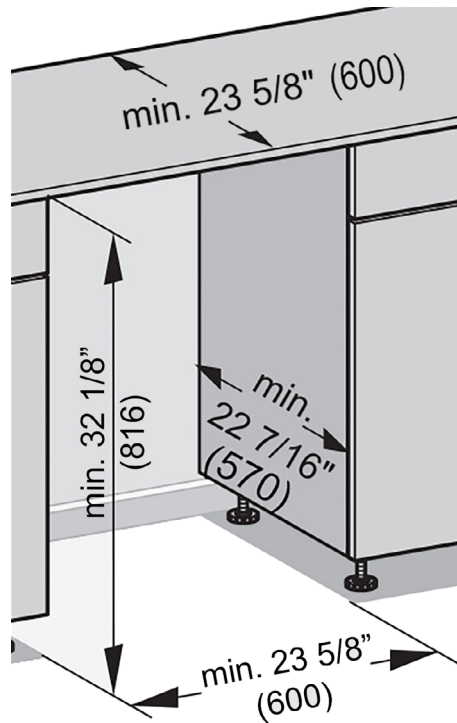
MATERIAL #	EAN #
11636710	4002516376613

SPECIFICATIONS	
Overall Unit Dimensions	23 <sup>9</sup> / <sub>16</sub> " (598 mm) W x 32 <sup>1</sup> / <sub>16</sub> " - 34 <sup>1</sup> / <sub>4</sub> " (814 - 870 mm) H x 22 <sup>7</sup> / <sub>16</sub> " (570 mm) D [Depth does not include door panel]
<b>Niche</b>	
Minimum Cabinet Niche Opening	23 <sup>5</sup> / <sub>8</sub> " (600 mm) W x 32 <sup>1</sup> / <sub>8</sub> " (814 mm) H x 22 <sup>7</sup> / <sub>16</sub> " (570 mm) D
<b>Plumbing</b>	
Water Supply Requirements	<ul style="list-style-type: none"> <li>• Cold or Hot (max 150°F/65°C) water connection</li> <li>• Male 3/8" compression fitting</li> <li>• Water pressure range 7.25 psi (0.5 bar) and 145 psi (10 bar)</li> </ul>
Water Connection Line (Supplied)	Length: 5 ft (1.5 m) Female 3/8" compression.
Drain Hose (Supplied)	Length: 5 ft (1.5 m) 7/8" (22 mm) internal diameter
<b>Electrical</b>	
Electrical Requirements	110V / 120V, 60Hz, 15 Amps
Power Cord (Convertible to hardwire)	NEMA 5-15 plug, 5 ft (1.52 m)
<b>Shipping</b>	
Shipping Weight	121 lbs (55 kg)
Shipping Dimensions	27 <sup>1</sup> / <sub>8</sub> " W x 38 <sup>1</sup> / <sub>8</sub> " H x 26 <sup>3</sup> / <sub>8</sub> " D

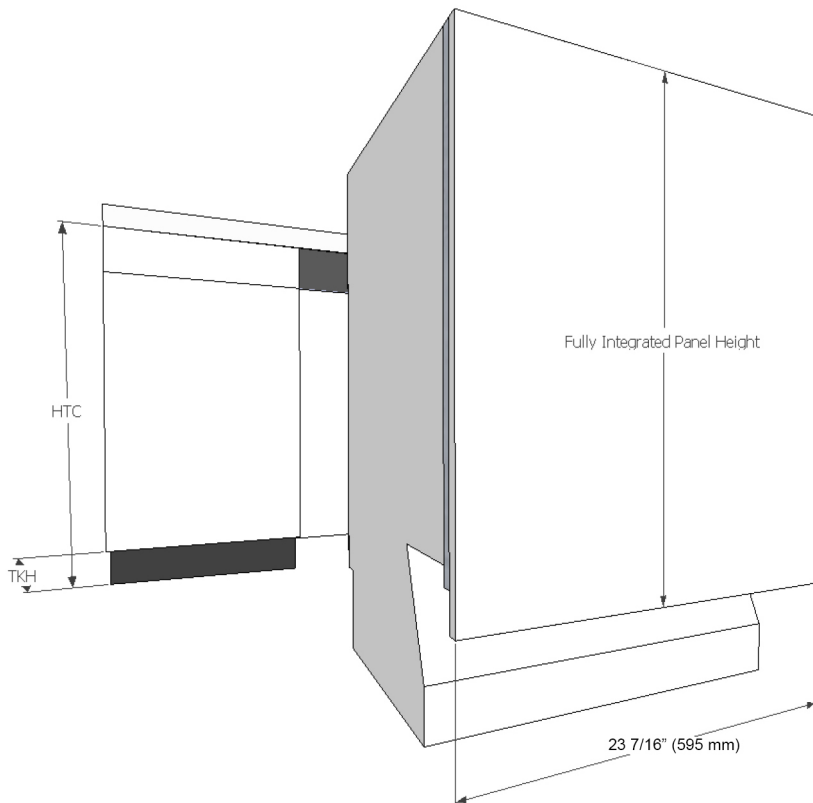
### PRODUCT DIMENSIONS



## CUTOUT DIMENSIONS



## CUSTOM PANEL



**Width:** 23 7/16" (595 mm) in all Cases  
**Thickness:** 3/4" (19 mm) in all Cases  
**Height:** Determined using the following calculation:

$$\text{Panel Height} = \text{HTC} - \text{TKH}$$

**HTC** = Height to the underside of countertop

**TKH** = Toe kick height

**Note:** Control panel is along the top edge of the unit. It is not visible when the unit is closed. A handle **MUST** be located on front of panel in order to open unit. (Except K2o models).

Maximum panel height: 30 5/16" (770 mm)

Minimum panel height: 25 9/16" (650 mm)

Maximum panel weight: 21 lbs (9.5 kg)

## Fully Integrated 24" MasterCool

K 2602 Vi / K 2612 Vi

F 2662 Vi / F 2672 Vi

KWT 2602 Vi / KWT 2612 Vi

KWT 2662 ViS / KWT 2672 ViS



Shown: KWT 2662 ViS

## Fully Integrated 24" MasterCool

SPECIFICATIONS			
Overall Unit Dimensions	23 <sup>3</sup> / <sub>4</sub> " (604 mm) W x 83 <sup>3</sup> / <sub>4</sub> " - 85 <sup>3</sup> / <sub>16</sub> " (2127 - 2164 mm) H x 24" (610 mm) D [Depth does not include door panel]		
<b>Niche</b>			
Minimum Cabinet Niche Opening	24" (610 mm) W* x 84" - 85 <sup>3</sup> / <sub>16</sub> " (2134 - 2164 mm) H x 24 <sup>3</sup> / <sub>4</sub> " (629 mm) D		
<b>Electrical</b>	<b>K 26x2 Vi</b>	<b>KWT 26x2 Vi</b>	<b>F 26x2 Vi</b>
Electrical Requirements	110V / 120V, 60Hz, 15 Amps In the case of side-by-side installations, a separate outlet must be used for each appliance.		
Power Cord	NEMA 5-15 plug, 5 ft (1.52 m)		
<b>Plumbing</b>	<b>K 26x2 Vi</b>	<b>KWT 26x2 Vi</b>	<b>F 26x2 Vi</b>
Water Supply Requirements	- Connect to a cold water supply only. Do not connect to a low-mineral or a reverse osmosis system. Must be connected to a shut-off valve. The water shut-off valve must be accessible after installation. The water pressure must be between 29 psi (2 bar) and 116 psi (8 bar). If the pressure is higher than 120 psi (8.3 bar), a pressure reducing valve must be installed.		
Water Connection Line	- Standard 1/4" O.D flexible water line. The maximum outer diameter of the water pipe (without fittings): 3/8" (10 mm). Water line is not included.		
<b>Shipping</b>	<b>K 26x2 Vi</b>	<b>KWT 26x2 Vi</b>	<b>F 26x2 Vi</b>
Shipping Weight	346 lbs (157 kg)	357 lbs (162 kg)	375 lbs (170 kg)
Shipping Dimensions	26 <sup>7</sup> / <sub>8</sub> " (682 mm) W x 84 <sup>1</sup> / <sub>4</sub> " (1,240 mm) H x 29 <sup>7</sup> / <sub>8</sub> " (759 mm) D		

Please note the following:

- This specification sheet is for a single built-in unit.
- When combining multiple MasterCool units side-by-side, please refer to the Merging Kit specification sheet.

\*If design calls for a partition less than 6<sup>5</sup>/<sub>16</sub>" (160 mm) the left unit's cutout will require an additional 1/8" (3 mm) to the width to allow installation of the Heating Mat/Merge Kit.



K 2602 Vi (Right Hinged)  
Material# 11501360

K 2612 Vi (Left Hinged)  
Material# 11502560



F 2662 Vi (Right Hinged)  
Material# 11503540

F 2672 Vi (Left Hinged)  
Material# 11503550



KWT 2602 Vi (Right Hinged)  
Material# 11503590

KWT 2612 Vi (Left Hinged)  
Material# 11503610



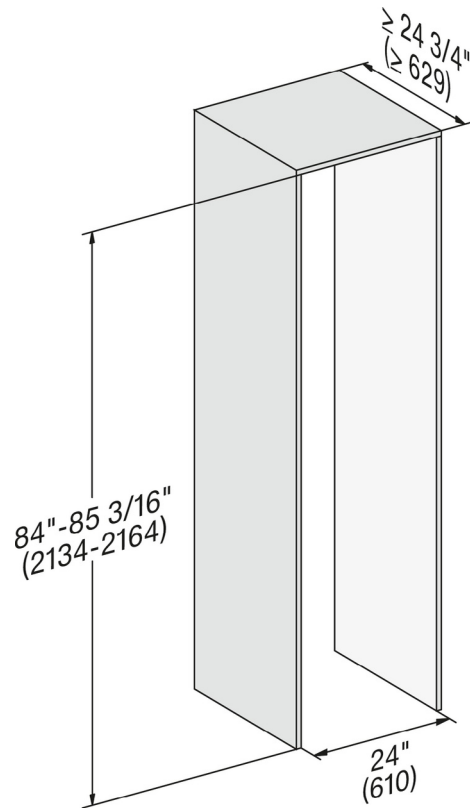
KWT 2662 ViS (Right Hinged)  
Material# 11503650

KWT 2672 ViS (Left Hinged)  
Material# 11503660

## Fully Integrated 24" MasterCool

### CUTOUT DIMENSIONS

- Niche depth assumes a 3/4" (19 mm) panel, please adjust according to custom panel thickness

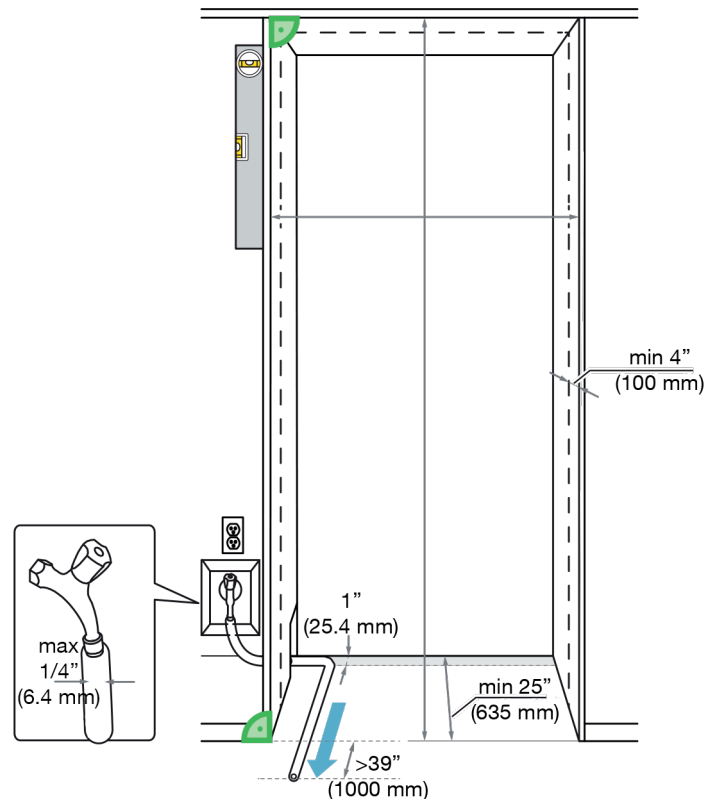


### CUTOUT DETAILS

- The electrical connection must not be positioned higher than 9" (228.6 mm) above the floor.
- The 1/4" (6.4 mm) plumbed water connection should not be positioned higher than 2" (50.8 mm) above the floor.

**Notes:**

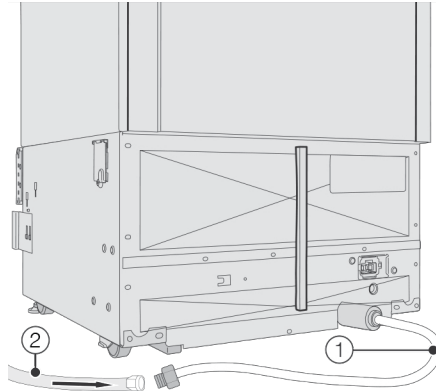
In case of an emergency the electrical outlet must be easily accessible and must not be concealed behind the appliance.



## Fully Integrated 24" MasterCool

### POWER SUPPLY AND WATER CONNECTION (Water Connection For F 26x2 Vi Only)

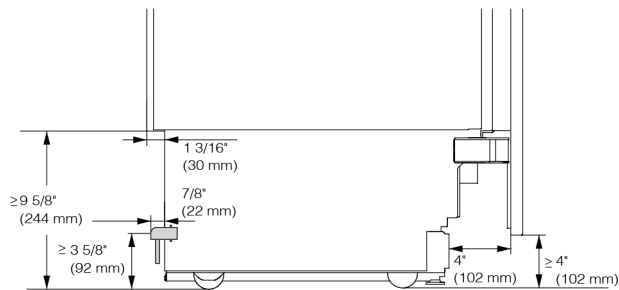
Rear View



#### Water Connection:

- 1/4" water line is required
- Located at the rear of the appliance on a 4' 11" line.
- 1/4" compression fitting, ready to accept 1/4" line.

Side View



#### Notes:

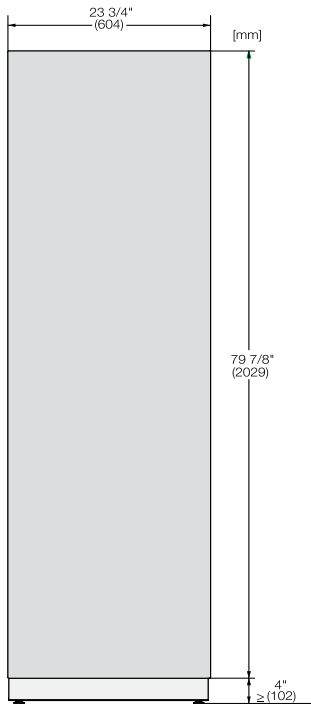
- In case of an emergency the electrical outlet and water shutoff must be easily accessible and must not be concealed behind the appliance.
- In the event that connection points are located behind the unit the electrical outlet and water connection should be located no higher than 9 5/8" from the floor.

## Fully Integrated 24" MasterCool

### CUSTOM PANEL INSTALLATIONS

For Models:

- K 2602 Vi
- K 2612 Vi

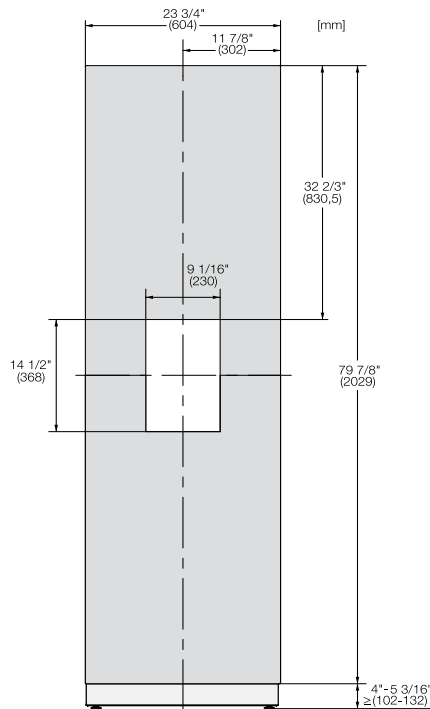


Max. Panel Weight: 106 lbs

Optional Accessory:  
Clean Touch Steel Panel:  
• KFP 2405  
Material# 11499070

For Models:

- F 2662 Vi
- F 2672 Vi

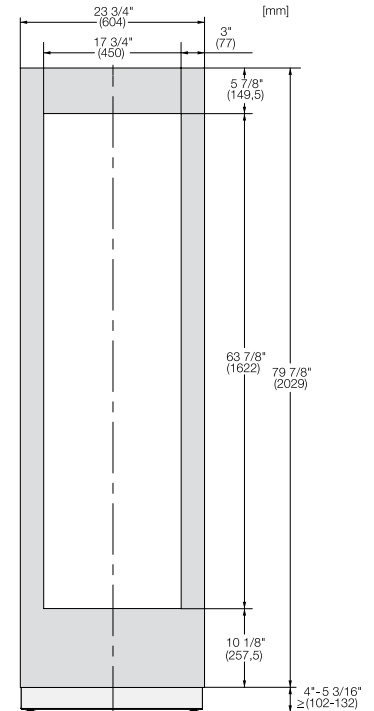


Max. Panel Weight: 143 lbs

Optional Accessory:  
Clean Touch Steel Panel:  
• KFP 2445  
Material# 11499620

For Models:

- KWT 2602 Vi
- KWT 2612 Vi
- KWT 2662 ViS
- KWT 2672 ViS

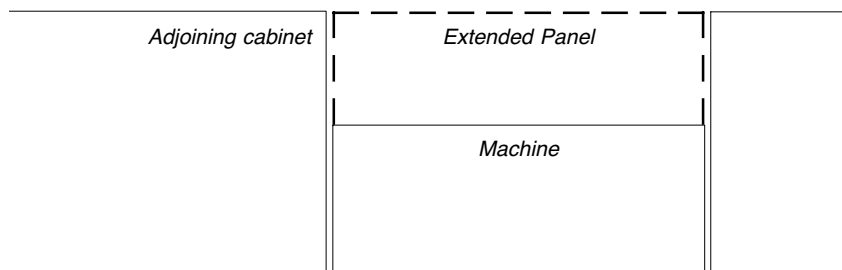


Max. Panel Weight: 137 lbs

Optional Accessory:  
Clean Touch Steel Panel:  
• KFP 2455  
Material# 11499630

### PANELS NOTES

If the adjoining cabinets are taller than the height of the machine the panel may be extended accordingly

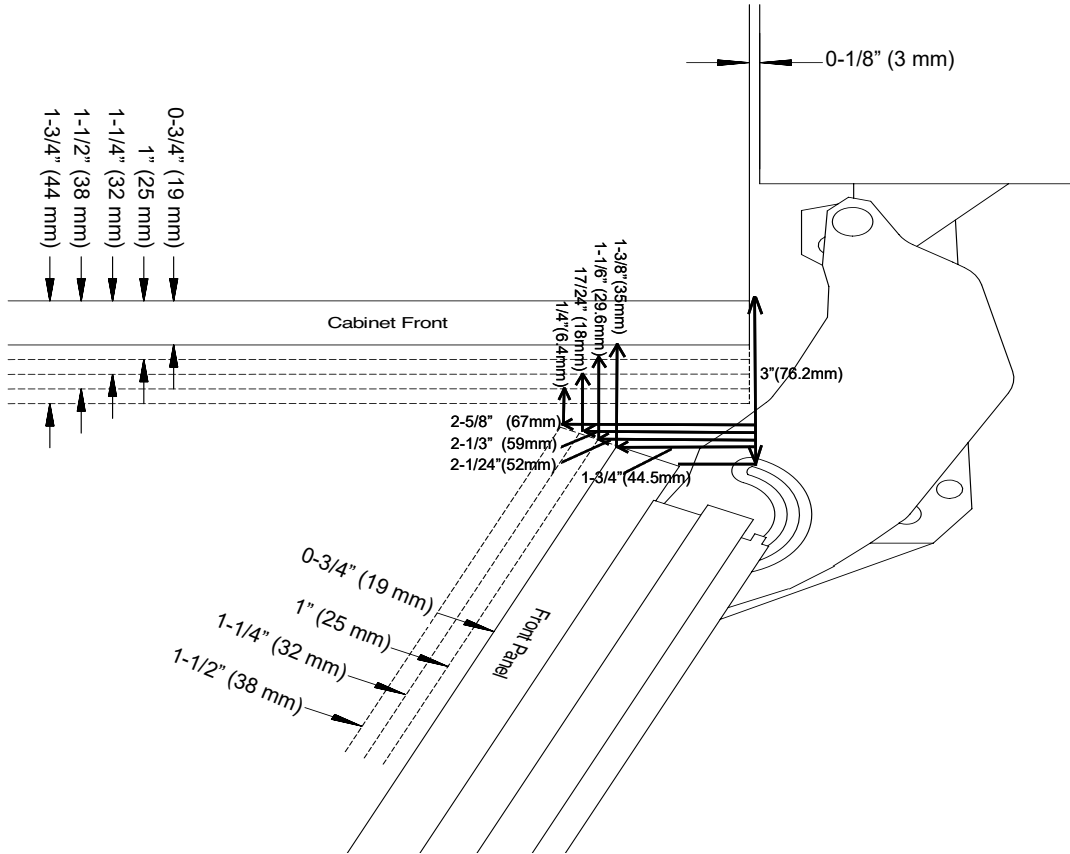


## Fully Integrated 24" MasterCool

### HINGING DETAILS 115° OPENING

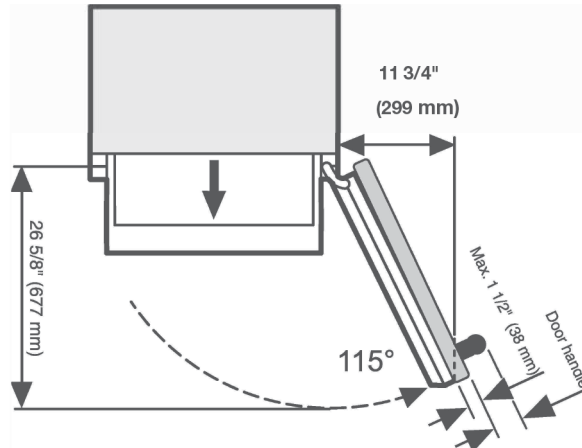
Available for the following models:

- K 26x2 Vi
- F 26x2 Vi
- KWT 26x2 Vi(S)



### Top View

(K 26x2 Vi, F 26x2 Vi, KWT 26x2 Vi(S))

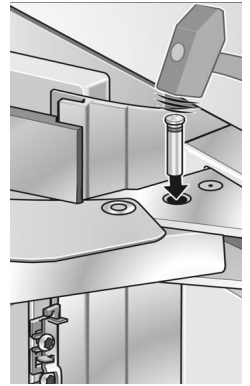
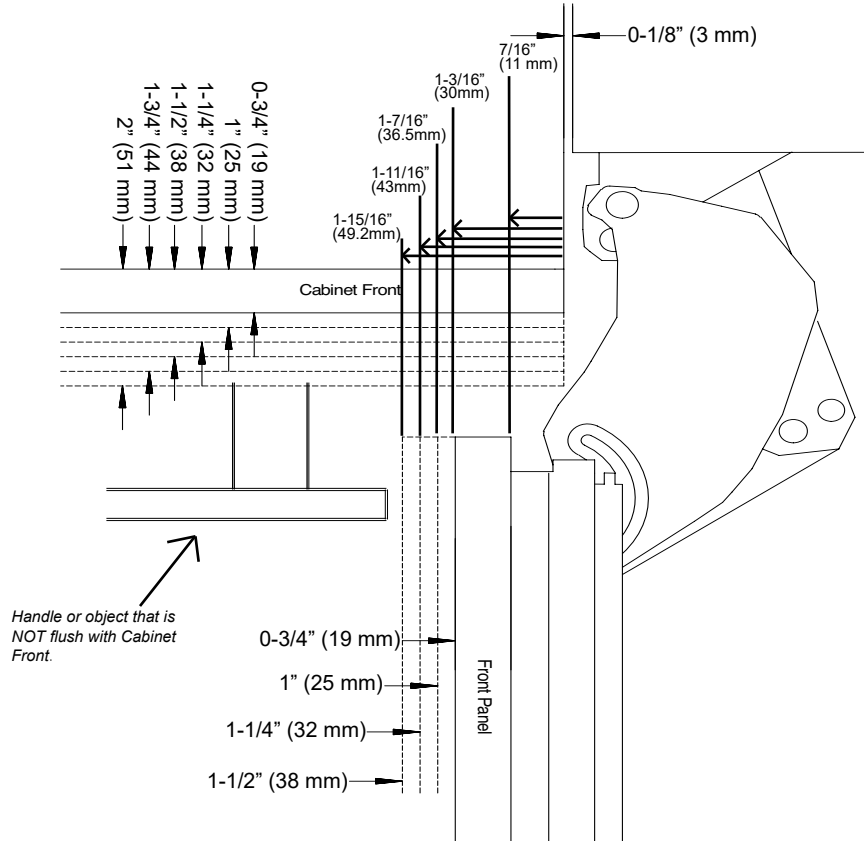


## Fully Integrated 24" MasterCool

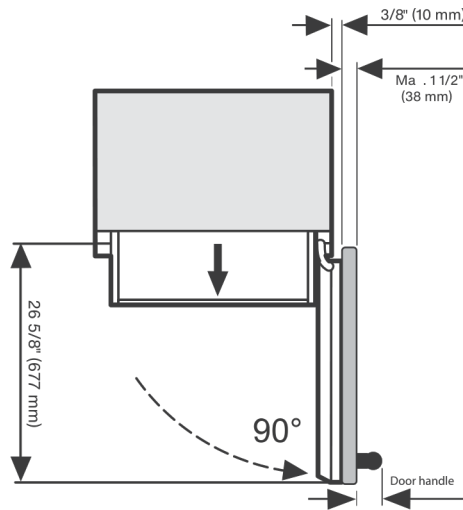
### HINGING DETAILS 90° OPENING

Available for the following models:

- K 26x2 Vi
- KWT 26x2 Vi(Si)



### Top View (K 26x2 Vi, KWT 26x2 Vi(S))



When installing hinge side next to an appliance or object that is within range of the door panel, limit the door opening angle to 90°. This is done by installing the banking pin as illustrated. Insert the banking pin through the holes and drive in with a hammer.

**Freezer units cannot be stop pinned at 90°**