

1908-09 CONTINUUM SOUTH

MASTER VANITY



PROGRESS DRAWING

This presentation is not intended to be used for contract pricing or fabrication purposes. All content is subject to change.

DISCARD ALL PRESENTATIONS THAT WERE MADE ON THIS ITEM PRIOR TO THE DATE BELOW:

01/16/2023

NOTES

The drawings included in presentations may not be scaled. The numerical dimensions represent correct measurements. All dimensions are given from finished floor and finished wall unless otherwise noted. All design ideas, drawings and plans represented here are owned by the property of **WESTHAVEN CONSTRUCTION SERVICES**. Above suggested electrical and plumbing locations, must be verified in field.

PROJECT
1908-09
CONTINUUM SOUTH

PAGE NAME
Cover Page

DESIGN BY
J. ALONSO

DRAWING BY
A. QUINTERO

CREATED
09/ 29/ 2021

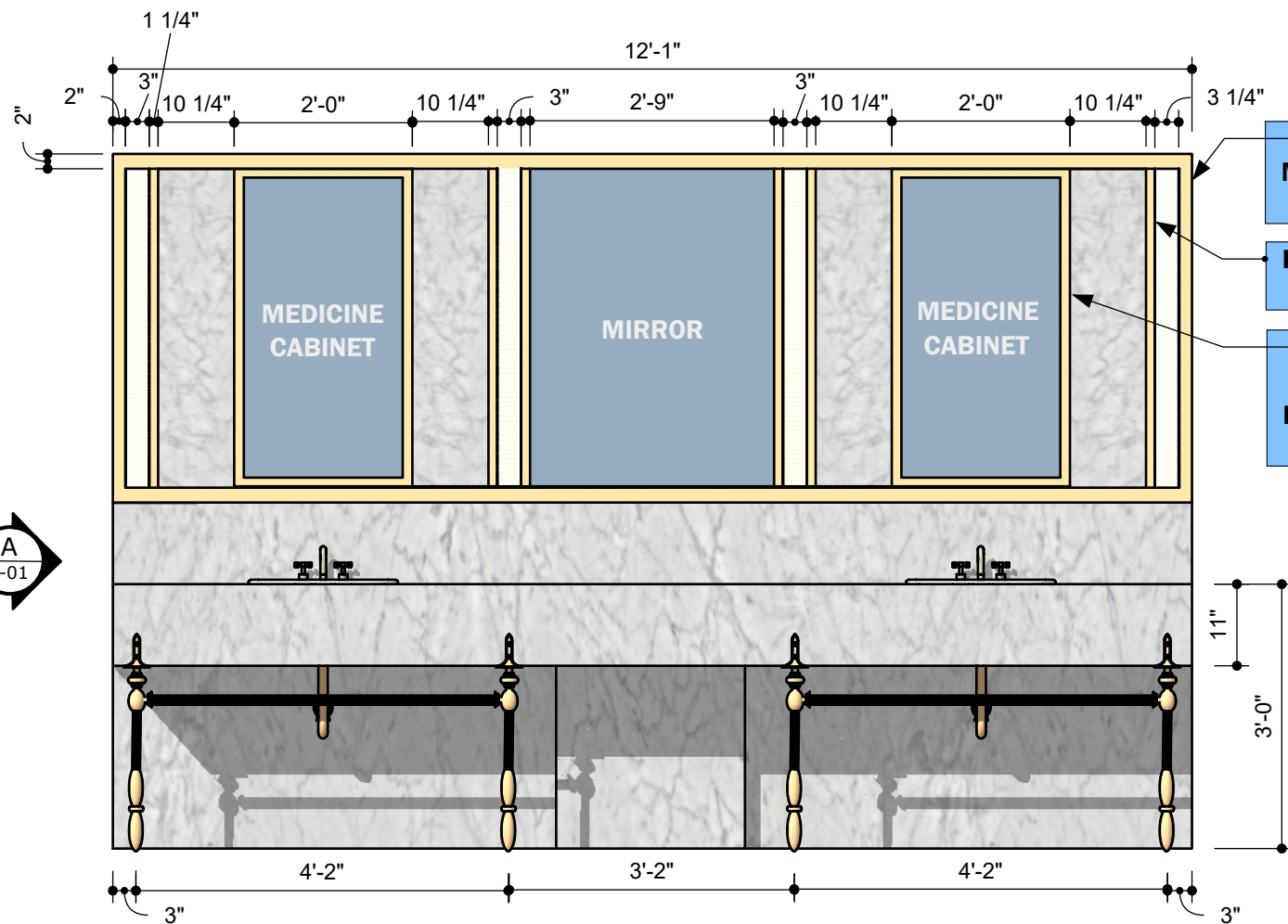
MODIFIED
01/16/2023

CLIENT
HERTRICH

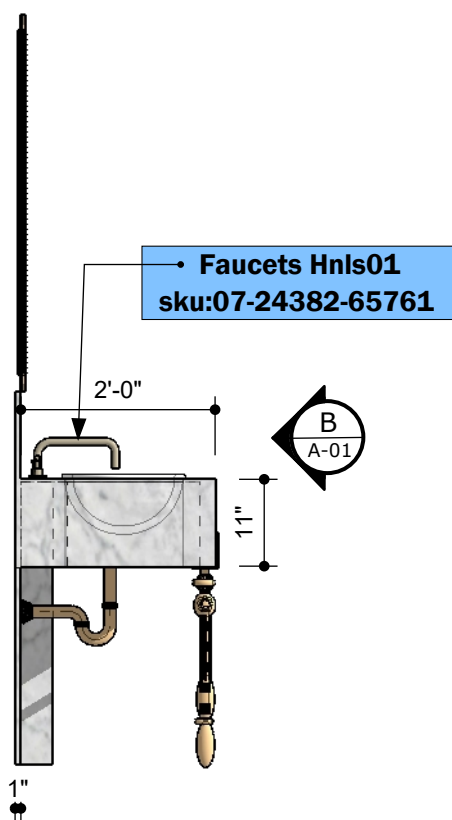
ADDRESS
0000
Fl, 33000



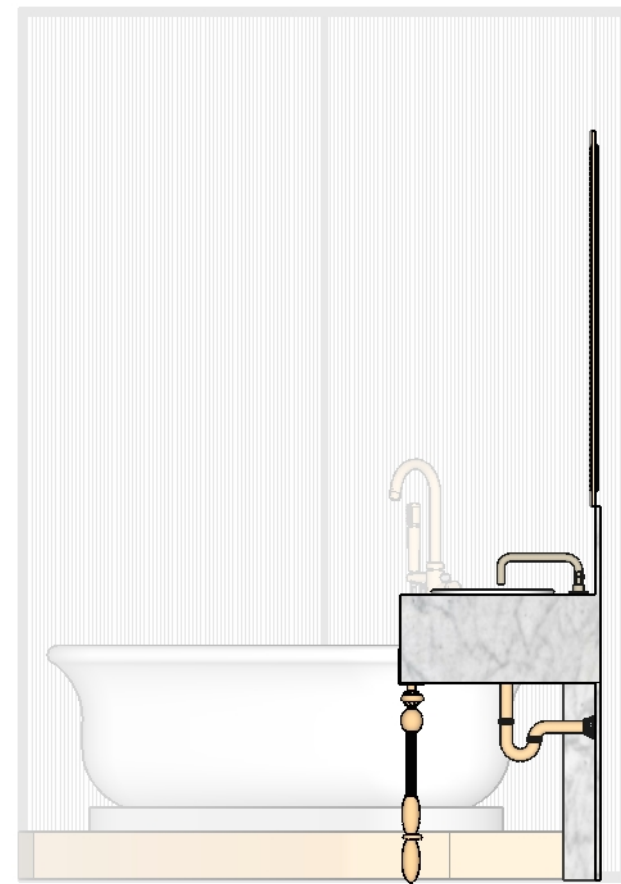
8254 NW SOUTH RIVER DRIVE, MEDLEY, FL 33166
All rights reserved.



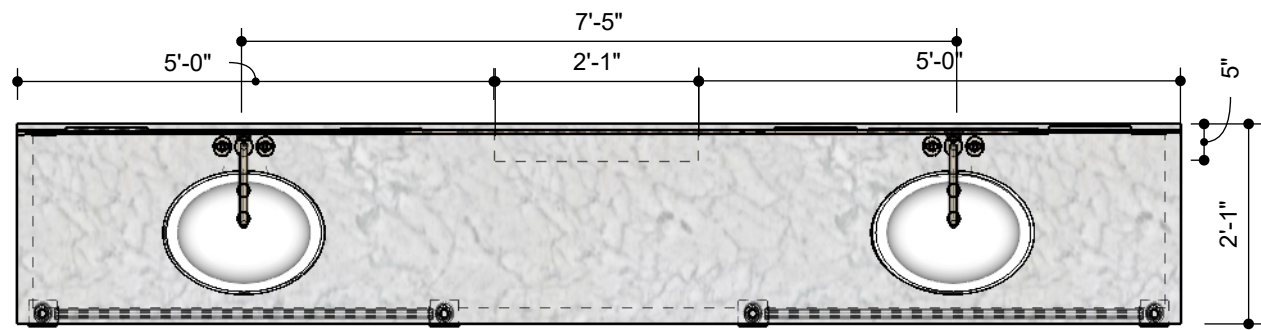
FRONT VIEW
Scale 1:24



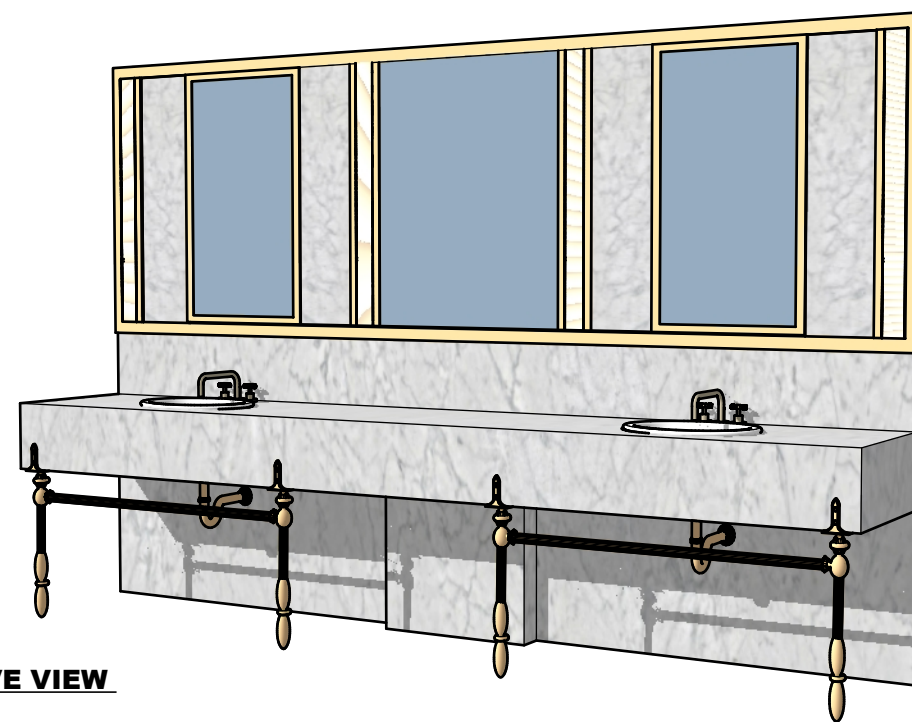
VIEW A
Scale 1:00



VIEW B
Scale 1:00



TOP VIEW
Scale 1:24



PERSPECTIVE VIEW
Not Scaled

PROGRESS DRAWING

ALL MEASUREMENTS MUST BE VERIFIED IN FIELD

This drawing is not intended to be used for contract pricing or fabrication purposes. All content is subject to change.

DISCARD ALL DRAWINGS THAT WERE MADE ON THIS ITEM PRIOR TO THE DATE BELOW:

01/16/2023

NOTES

Drawings may not be scaled. The numerical dimensions represent correct measurements. All dimensions are given from finished floor and finished wall unless otherwise noted.

All design ideas, drawings and plans represented here are owned by the property of **WESTHAVEN CONSTRUCTION SERVICES.**

All rights reserved. Above suggested electrical and plumbing locations, must be verified in field.



WESTHAVEN
CONSTRUCTION SERVICES, INC.

CLIENT
HERTRICH
0000
FL, 33000

ISSUE
09/29/2021
RE - ISSUE
MM,DD,YY

DESIGN BY
Joel A.
DRAWN BY
Abel Q.

DESCRIPTION
MASTER VANITY
PAGE NAME
Inside Page

PROJECT No
1908-09
PROJECT NAME
CONTINUUM SOUTH