



PERSPECTIVE VIEW

Not Scaled

This plan presents preliminary proposals for materials, measurements, and design. Please note that these proposals are subject to possible changes.

Materials: Proposed materials are subject to evaluation and final selection.

Measurements: Indicated measurements are approximate and may be adjusted during the design and construction process.

Design: The presented design is an initial proposal and may undergo modifications.

Approvals and revisions: Any changes to materials, measurements, or design require appropriate approval.

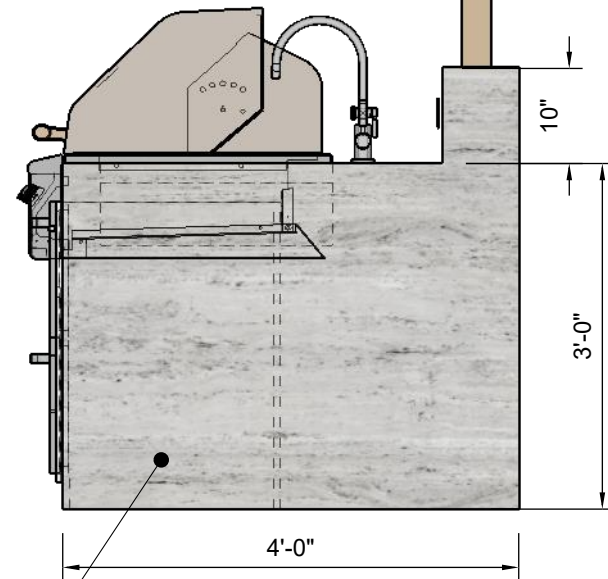
This plan does not represent the final version of the project, and adjustments will be made to ensure quality and goal fulfillment.

T.B.D	FINISH	SELLER
	DEKTON	
	Item No:	

SIDE VIEW
Scale 1:20

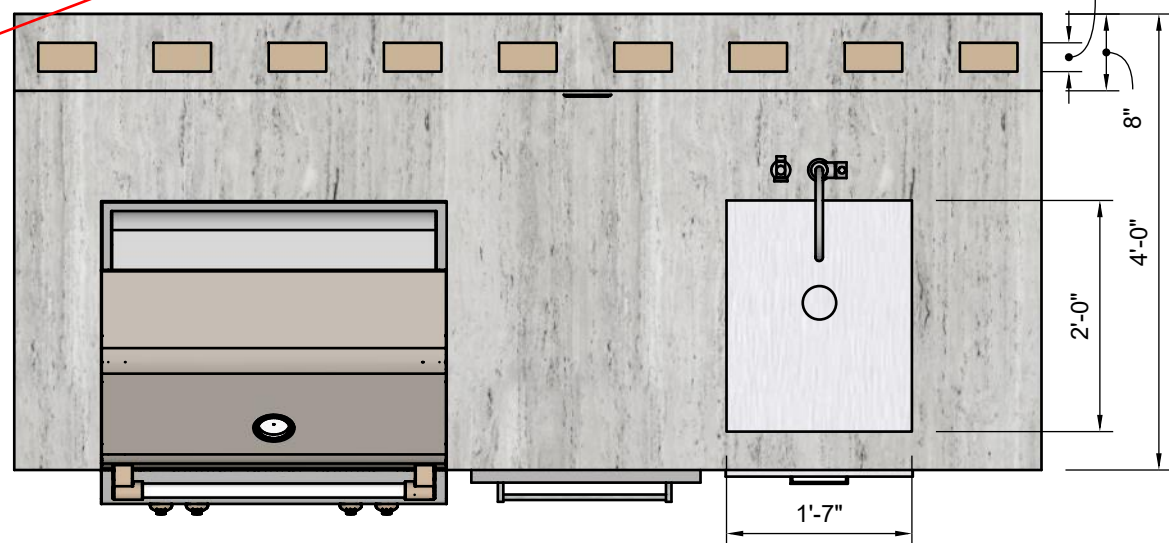
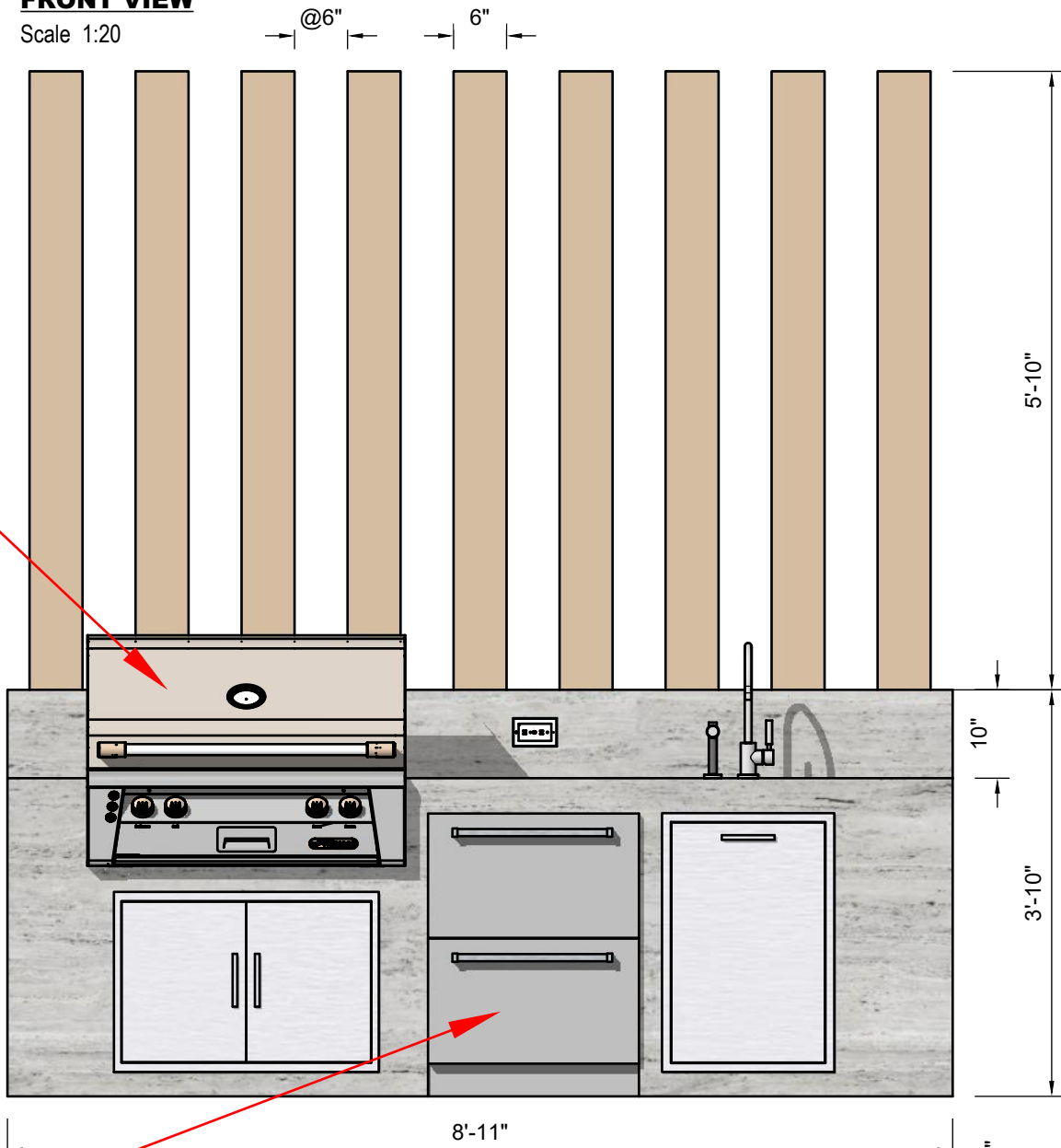


GRILL
SERIE: ALXE-36-LP
Propane Gas Grill With Rotisserie



24" C-SERIES
SERIE: R600a
Description

FRONT VIEW
Scale 1:20



TOP VIEW
Scale 1:24

NOTE

Drawings may not be scaled.

The numerical dimensions represent correct measurements. (If not indicated, the precision of the dimensions by default is to 1")

All design ideas, drawings and plans represented here are owned by the property of WESTHAVEN CONSTRUCTION SERVICES, INC. All rights reserved. Above suggested electrical and plumbing locations, must be verified in field.



WESTHAVEN CONSTRUCTION SERVICES, INC.

8254 South River Dr
Medley, FL 33166
Ph. 305 556 1416
www.westhavencn.com

PROGRESS DRAWING
FOR APPROVAL



CONTACT DESIGN TEAM

2608 NORMANDY
0000 Fl, 33000

ISSUE
07/14/2023
RE - ISSUE
07/14/2023

OWNER
BELLARD
PAGE NAME
ELEVATIONS
DESIGN BY
J. Alonso
DRAWN BY
A. Quintero

DESIGN CONCEPT

ALL MEASUREMENTS
MUST BE
VERIFIED IN FIELD

DISCARD ALL DRAWINGS THAT
WERE MADE ON THIS ITEM PRIOR
TO THE DATE BELOW:

07/14/2023

This drawing is not intended to be used
for contract pricing or fabrication
purposes.
All content is subject to change

A - 01

BARBECUE