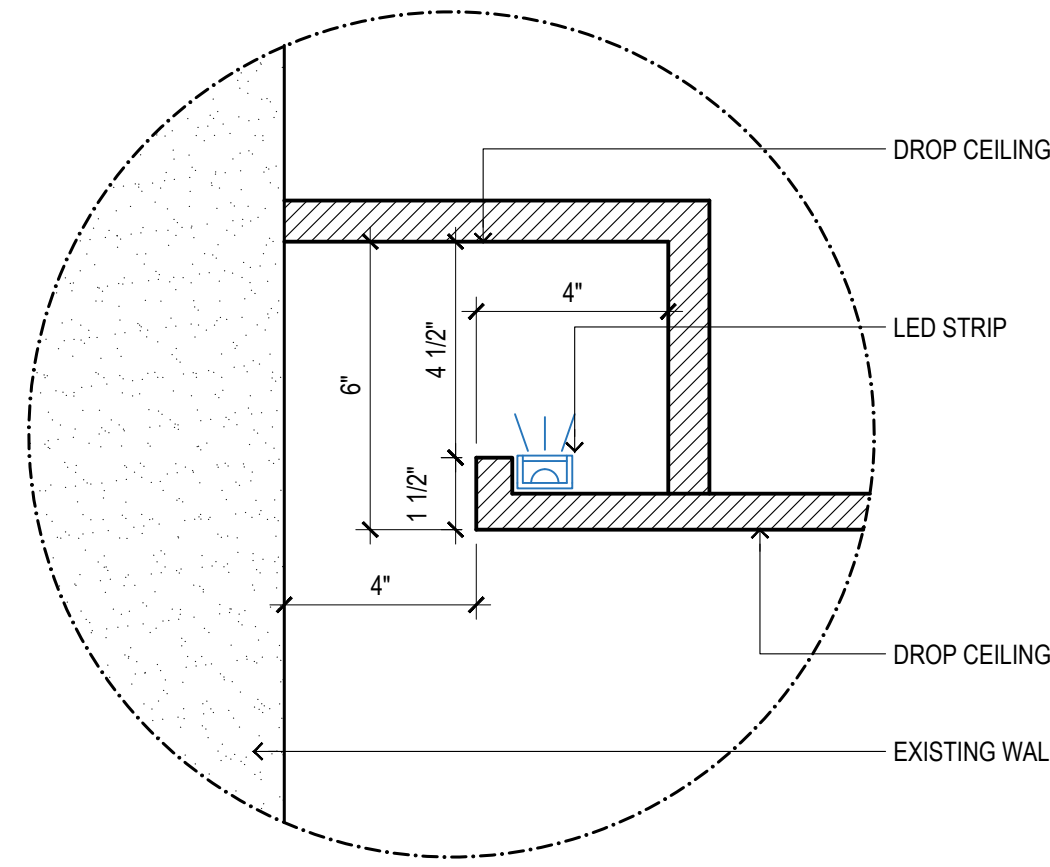
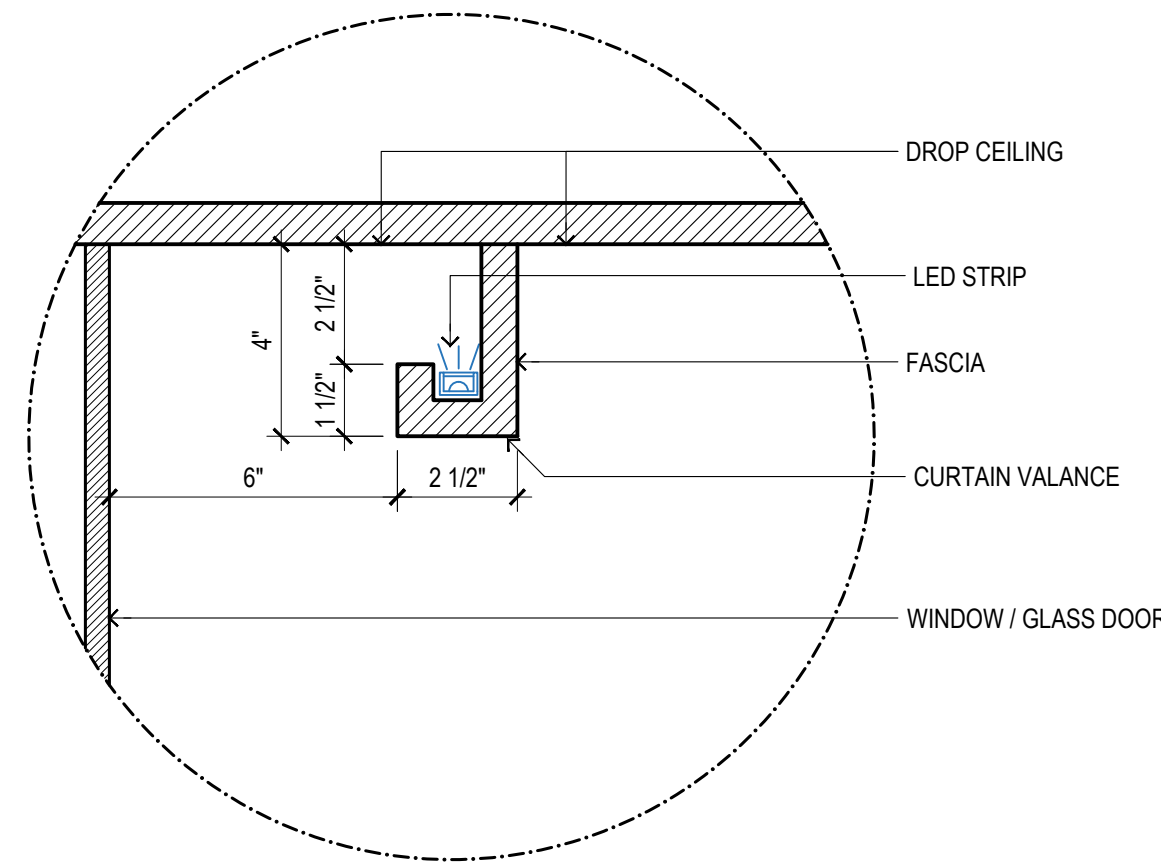


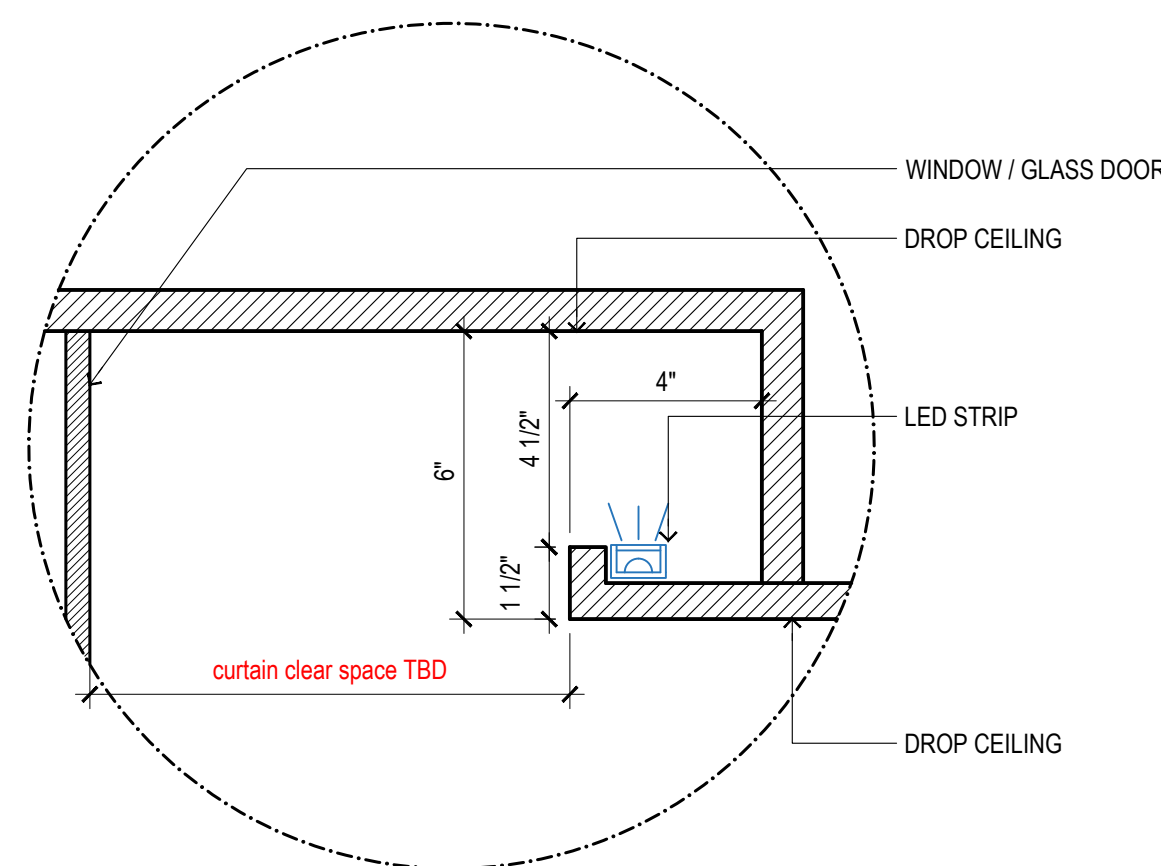
DETAIL 01
ESC: 3" = 1' 0"



DETAIL 02
ESC: 3" = 1' 0"



DETAIL 03
ESC: 3" = 1' 0"



DETAIL 04
ESC: 3" = 1' 0"

NOTE: CURTAIN POCKET TO ALIGN WITH EXISTING WALL DENT. CURTAIN CLEAR SPACE TO BE DETERMINED ON SITE ACCORDING TO WALL GAP.



LEGEND	DESCRIPTION
[Yellow Box]	DROP CEILING H=104" (NEW DROP HEIGHT) - REGULAR PAINT COLOR TBD.
[Purple Box]	DROP CEILING H=104" (NEW DROP HEIGHT) - VENETIAN PLASTER TBD. 390 SQFT.
[Pink Box]	DROP CEILING H=117" (KEEP THE EXISTING HEIGHT) - REGULAR PAINT COLOR TBD.
[Green Box]	DROP CEILING H=113" (KEEP THE EXISTING HEIGHT) - WOOD WALLPAPER TBD.
[Red Box]	DROP CEILING H=109" (NEW DROP HEIGHT) - VENETIAN PLASTER TBD. 270 SQFT.
[Blue Box]	DROP CEILING H=100" (NEW DROP HEIGHT) - REGULAR PAINT TBD.
[Light Blue Box]	DROP CEILING H=98" (KEEP THE EXISTING HEIGHT) - REGULAR PAINT TBD.

PROJECT NAME:
SNYDER RESIDENCE
ADDRESS:
100 South Pointe Dr. Miami Beach, FL 33139.
South Tower #3606
ALL THE DIMENSIONS MUST BE CHECKED ON SITE

THESE DOCUMENTS ARE THE SOLE PROPERTY OF DESIGN SOLUTIONS AND SUBJECT TO COPY RIGHTS LAWS. ANY COPYING OR RELEASE OF INFORMATION THERE IN, WITHOUT THE EXPRESS WRITTEN PERMISSION OF DESIGN SOLUTIONS, IS PROHIBITED.

DESIGN/SOLUTIONS

INTERIOR DESIGN & ARCHITECTURE

2900 SW 28th Terrace Unit 402 Miami, FL 33133
TEL: 305.778.6860 / 786.391.1418
<https://ds-miami.com>

REV.	DESCRIPTION	BY:	DATE:
R00	ORIGINAL DRAWING	ANDRE'S TEAM	08/15/2023
R01	OVERALL UPDATES	ANDRE'S TEAM	08/22/2023

DRAWING TITLE:
CEILING FLOOR PLAN

DRAWN BY:
ANDRE'S TEAM

SCALE:
1/4" = 1'-0"

DATE:
October 11, 2023

SHEET NO:

I-107

PROJECT NO: