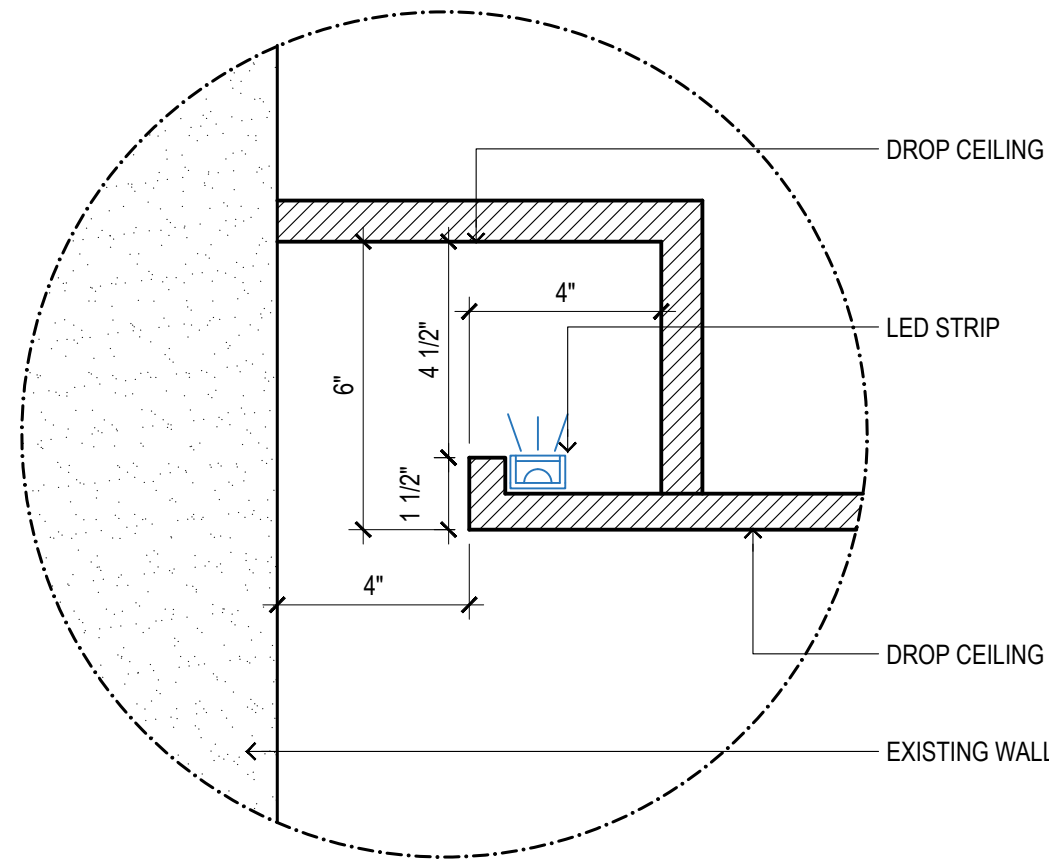
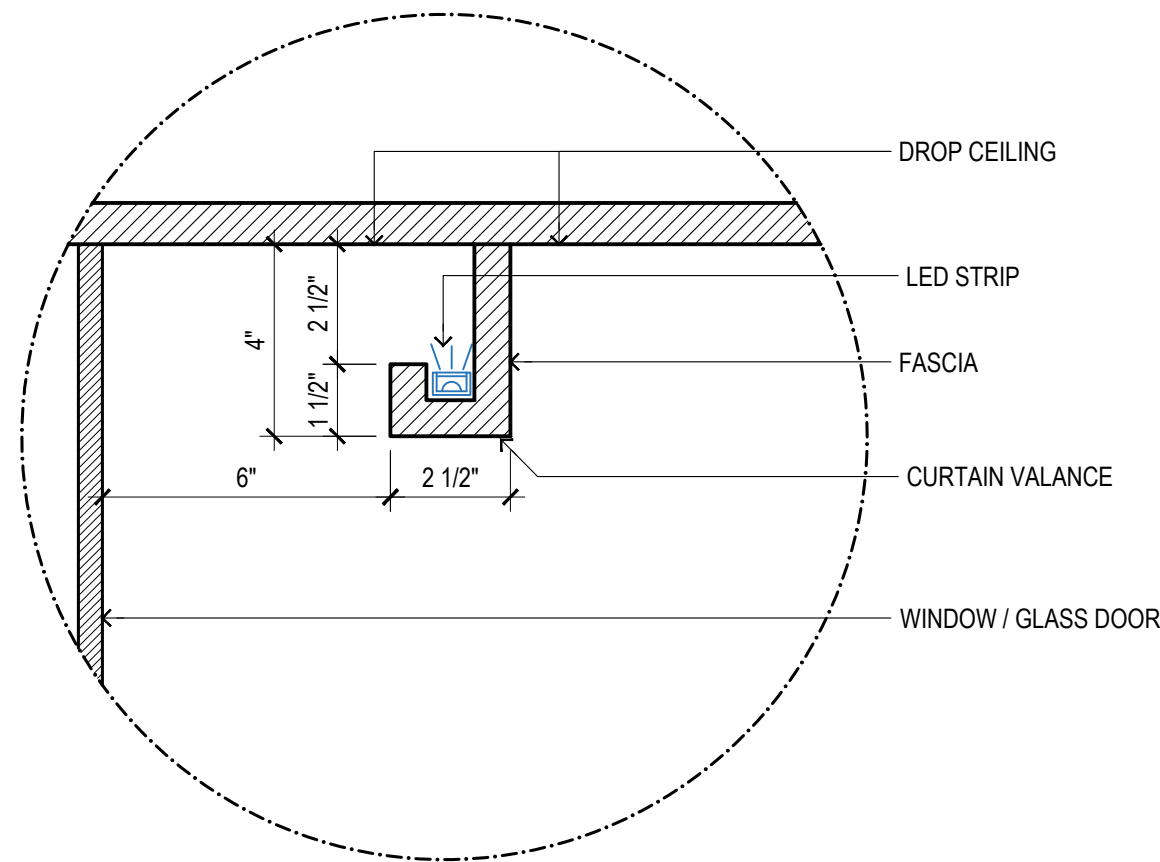


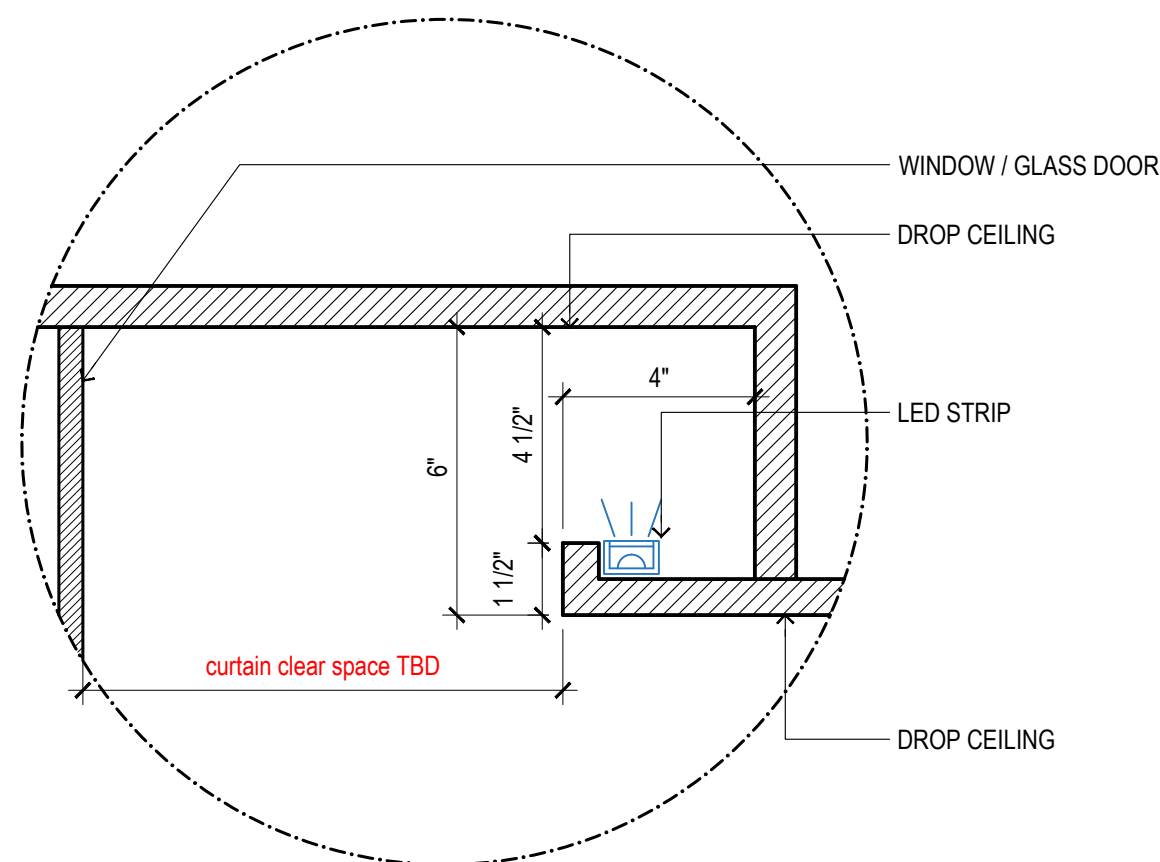
DETAIL 01
ESC: 3" = 1' 0"



DETAIL 02
ESC: 3" = 1' 0"



DETAIL 03
ESC: 3" = 1' 0"



DETAIL 04
ESC: 3" = 1' 0"
NOTE: CURTAIN POCKET TO ALIGN WITH EXISTING WALL DENT. CURTAIN CLEAR SPACE TO BE DETERMINED ON SITE ACCORDING TO WALL GAP.



LIGHTING LEGEND		
LEGEND	DESCRIPTION	QTY.
☒	RECESSED SQUARED FRAMED FIXTURE TBD, WHITE FINISH. VAPOR PROOF INSIDE BATHROOM SHOWERS.	72
☒	RECESSED SQUARED FRAMED FIXTURE TBD, ADJUSTABLE FIXTURE, WHITE FINISH.	10
Ⓜ	J BOX FOR CHANDELIER / FLUSH MOUNT TBD, FORESEE STRUCTURE TO SUPPORT WEIGHT FOR THE FUTURE CHANDELIER.	8
☒	WALL STEPLIGHT FIXTURE TBD - WHITE FINISH. H = 12"	4
☒	WALL SCONCE / LIGHT FIXTURE TBD. (CHECK HEIGHT ON PLAN)	1
—	LED STRIP RECESSED IN CHANNEL - 3000K	132' LINEAR FT.
—	LED STRIP FOR MILLWORK - 3000K	130' LINEAR FT.
—	LED STRIP FOR MIRRORS - 3000K	17' LINEAR FT.
Ⓜ	POWER SUPPLY FOR CLOSET LIGHTS. FOLLOW THE INSTRUCTIONS OF THE FABRICATOR FOR LOCATION.	
☒	CEILING MOUNT EXHAUST FAN	5

NOTES:
- CONSIDER ALLOWANCE FOR RELOCATION OF A/C GRILLS AND CONNECTIONS.
- CONFIRM FIRE ALARM LOCATIONS WITH DESIGNER.

DROP CEILING LEGEND	
LEGEND	DESCRIPTION
☐	DROP CEILING H=104" (NEW DROP HEIGHT) - REGULAR PAINT COLOR TBD.
☐	DROP CEILING H=104" (NEW DROP HEIGHT) - VENETIAN PLASTER TBD. 390 SQFT.
☐	DROP CEILING H=117" (KEEP THE EXISTING HEIGHT) - REGULAR PAINT COLOR TBD.
☐	DROP CEILING H=113" (KEEP THE EXISTING HEIGHT) - WOOD WALLPAPER TBD.
☐	DROP CEILING H=109" (NEW DROP HEIGHT) - VENETIAN PLASTER TBD. 270 SQFT.
☐	DROP CEILING H=100" (NEW DROP HEIGHT) - REGULAR PAINT TBD.
☐	DROP CEILING H=98" (KEEP THE EXISTING HEIGHT) - REGULAR PAINT TBD.

PROJECT NAME:
SNYDER RESIDENCE
ADDRESS:
100 South Pointe Dr. Miami Beach, FL 33139.
South Tower #3606
ALL THE DIMENSIONS MUST BE CHECKED ON SITE

THESE DOCUMENTS ARE THE SOLE PROPERTY OF DESIGN SOLUTIONS AND SUBJECT TO COPY RIGHTS LAWS. ANY COPYING OR RELEASE OF INFORMATION THERE IN, WITHOUT THE EXPRESS WRITTEN PERMISSION OF DESIGN SOLUTIONS, IS PROHIBITED.

DESIGN/SOLUTIONS

INTERIOR DESIGN & ARCHITECTURE

2900 SW 28th Terrace Unit 402 Miami, FL 33133
TEL: 305.778.6860 / 786.391.1418
<https://ds-miami.com>

REV.	DESCRIPTION	BY:	DATE:
R00	ORIGINAL DRAWING	ANDRE'S TEAM	09/15/2023
R01	OVERALL UPDATES	ANDRE'S TEAM	09/22/2023

DRAWING TITLE:
PROPOSED RCP

DRAWN BY:
ANDRE'S TEAM

SCALE:
1/4" = 1'-0"

DATE:
October 11, 2023

SHEET NO:

I-106

PROJECT NO: