

# 2104 CONTINUUM SOUTH

## KITCHEN CABINETS & ISLAND



**PERSPECTIVE VIEW**  
Not Scaled

T.B.D	FINISH	SELLER
	MATERIAL NAME	
Item No:		

T.B.D	FINISH	SELLER
	MATERIAL NAME	
Item No:		

T.B.D	FINISH	SELLER
	MATERIAL NAME	
Item No:		

**PROGRESS DRAWING  
FOR APPROVAL**



CONTACT DESIGN TEAM

ISSUE 06/ 21/ 2023  
RE - ISSUE 06/21/2023  
OWNER CLIENT NAME  
PAGE NAME PERSPECTIVE VIEW  
DESIGN BY J. Alonso  
DRAWN BY A. Quintero

**DESIGN CONCEPT**

**ALL MEASUREMENTS  
MUST BE  
VERIFIED IN FIELD**

DISCARD ALL DRAWINGS THAT  
WERE MADE ON THIS ITEM PRIOR  
TO THE DATE BELOW:

**06/21/2023**

This drawing is not intended to be used  
for contract pricing or fabrication  
purposes.  
All content is subject to change

**PERSPECTIVE  
VIEW**

**KITCHEN  
CABINETS &  
ISLAND**



WESTHAVEN CONSTRUCTION SERVICES, INC.

8254 South River Dr  
Medley, FL 33166  
Ph. 305 556 1416  
www.westhavencn.com

PROGRESS DRAWING  
FOR APPROVAL



CONTACT DESIGN TEAM

2104 CONTINUUM SOUTH  
0000 Fl, 33000

DESIGN BY	J. Alonso
OWNER	CLIENT NAME
DRAWN BY	A. Quintero
PAGE NAME	APPLIANCES
ISSUE	06/ 21/ 2023
RE - ISSUE	06/21/2023

DESIGN CONCEPT

ALL MEASUREMENTS  
MUST BE  
VERIFIED IN FIELD

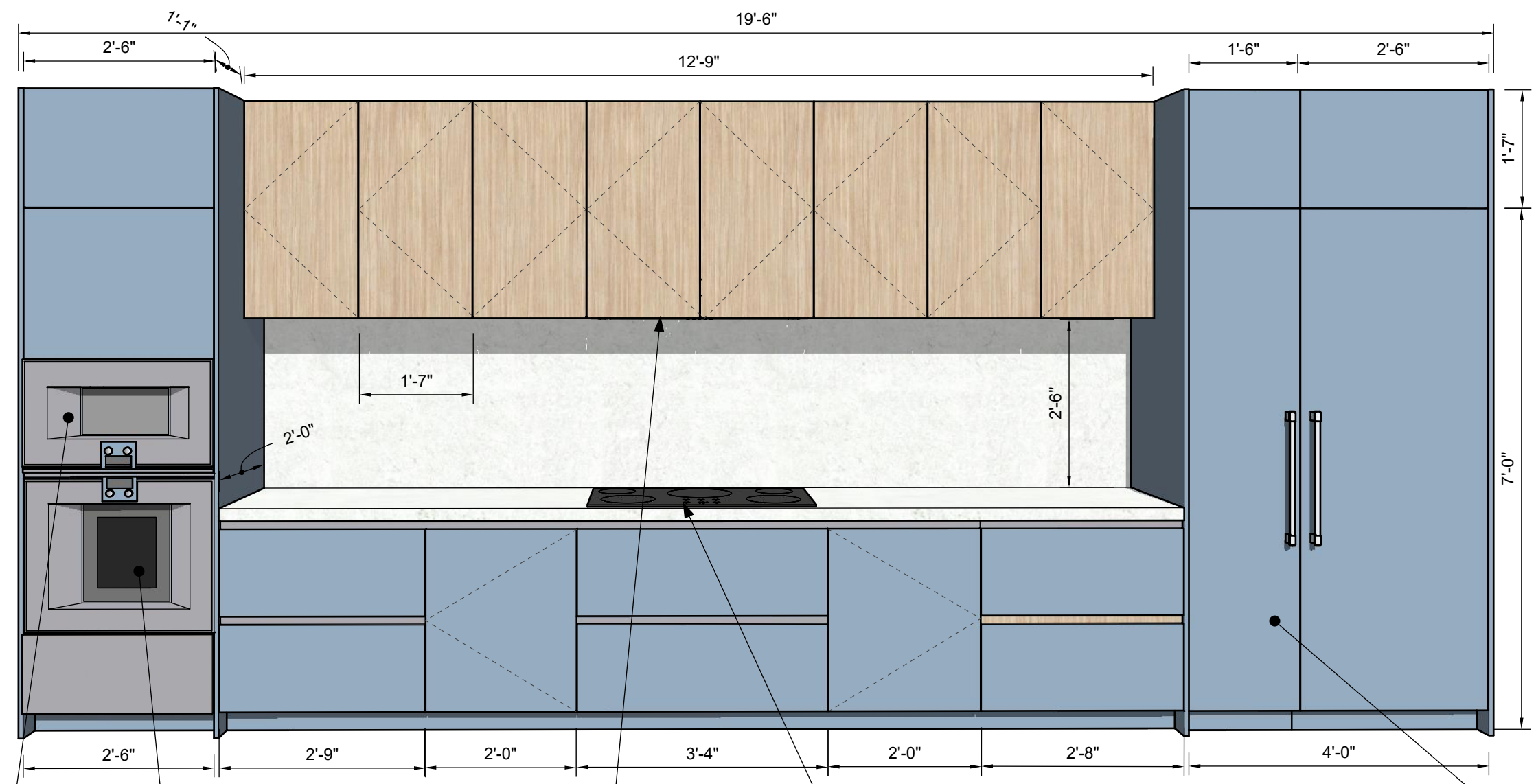
DISCARD ALL DRAWINGS THAT  
WERE MADE ON THIS ITEM PRIOR  
TO THE DATE BELOW:

06/21/2023

This drawing is not intended to be used  
for contract pricing or fabrication  
purposes.  
All content is subject to change

A - 01

KITCHEN  
CABINETS &  
ISLAND



VIEW A  
Scale 1:00

MICROWAVE

OVEN

36' HOOD

36" COOKTOP

48" REF

TBD

TBD

TBD

TBD

TBD

TBD

NOTE

Drawings may not be scaled.

The numerical dimensions represent correct measurements. (If not indicated, the precision of the dimensions by default is to 1")

All design ideas, drawings and plans represented here are owned by the property of WESTHAVEN CONSTRUCTION SERVICES, INC. All rights reserved. Above suggested electrical and plumbing locations, must be verified in field.





WESTHAVEN CONSTRUCTION SERVICES, INC.

8254 South River Dr  
Medley, FL 33166  
Ph. 305 556 1416  
www.westhavencn.com

PROGRESS DRAWING  
FOR APPROVAL



CONTACT DESIGN TEAM

2104 CONTINUUM SOUTH

0000 Fl, 33000

DESIGN BY	J. Alonso	OWNER	CLIENT NAME	ISSUE	06/ 21/ 2023
DRAWN BY	A. Quintero	DRAWN BY	A. Quintero	RE - ISSUE	06/21/2023

DESIGN CONCEPT

ALL MEASUREMENTS  
MUST BE  
VERIFIED IN FIELD

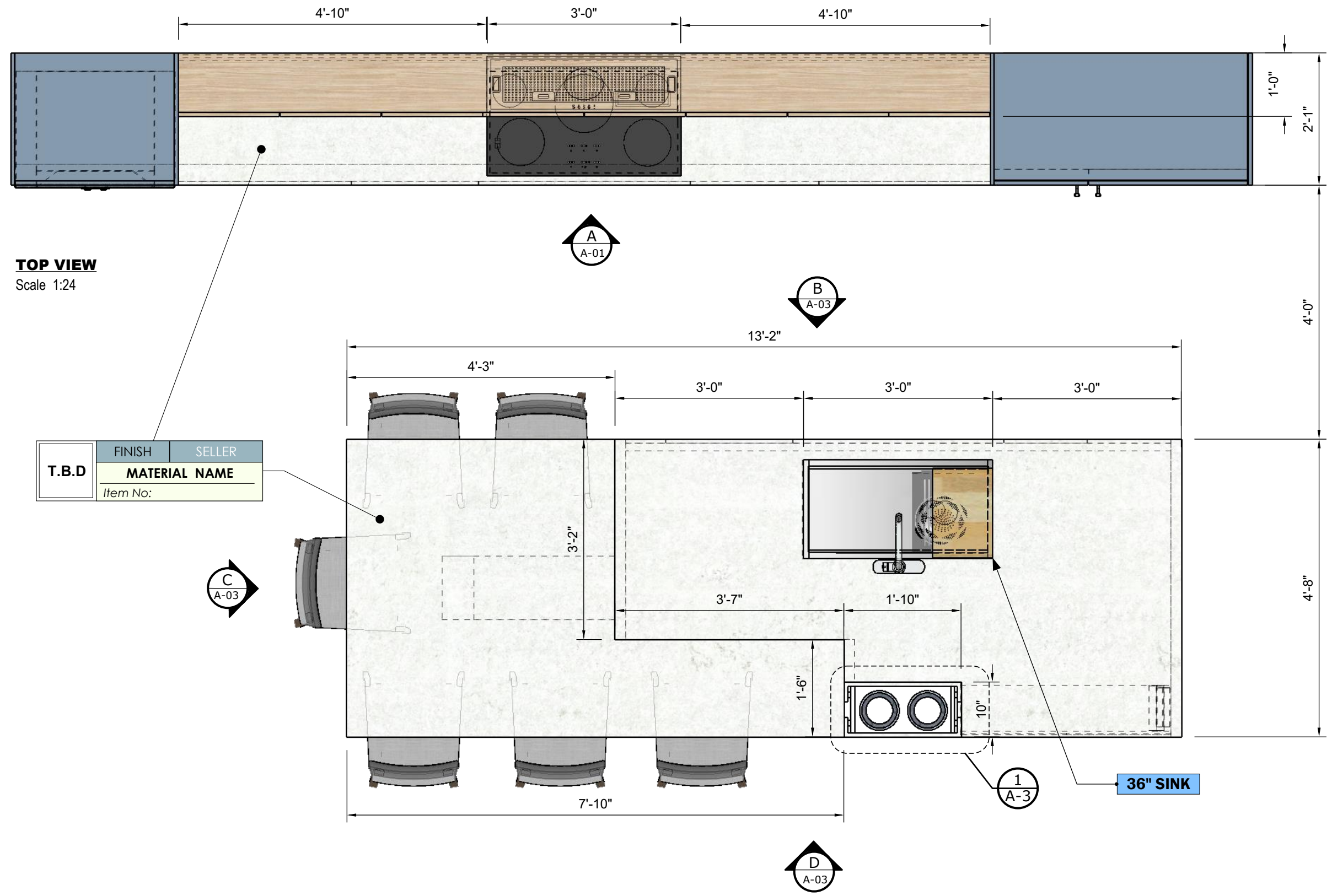
DISCARD ALL DRAWINGS THAT  
WERE MADE ON THIS ITEM PRIOR  
TO THE DATE BELOW:

06/21/2023

This drawing is not intended to be used  
for contract pricing or fabrication  
purposes.  
All content is subject to change

A - 02

KITCHEN  
CABINETS &  
ISLAND



TOP VIEW  
Scale 1:24



WESTHAVEN CONSTRUCTION SERVICES, INC.

8254 South River Dr  
Medley, FL 33166  
Ph. 305 556 1416  
www.westhavencn.com

PROGRESS DRAWING  
FOR APPROVAL

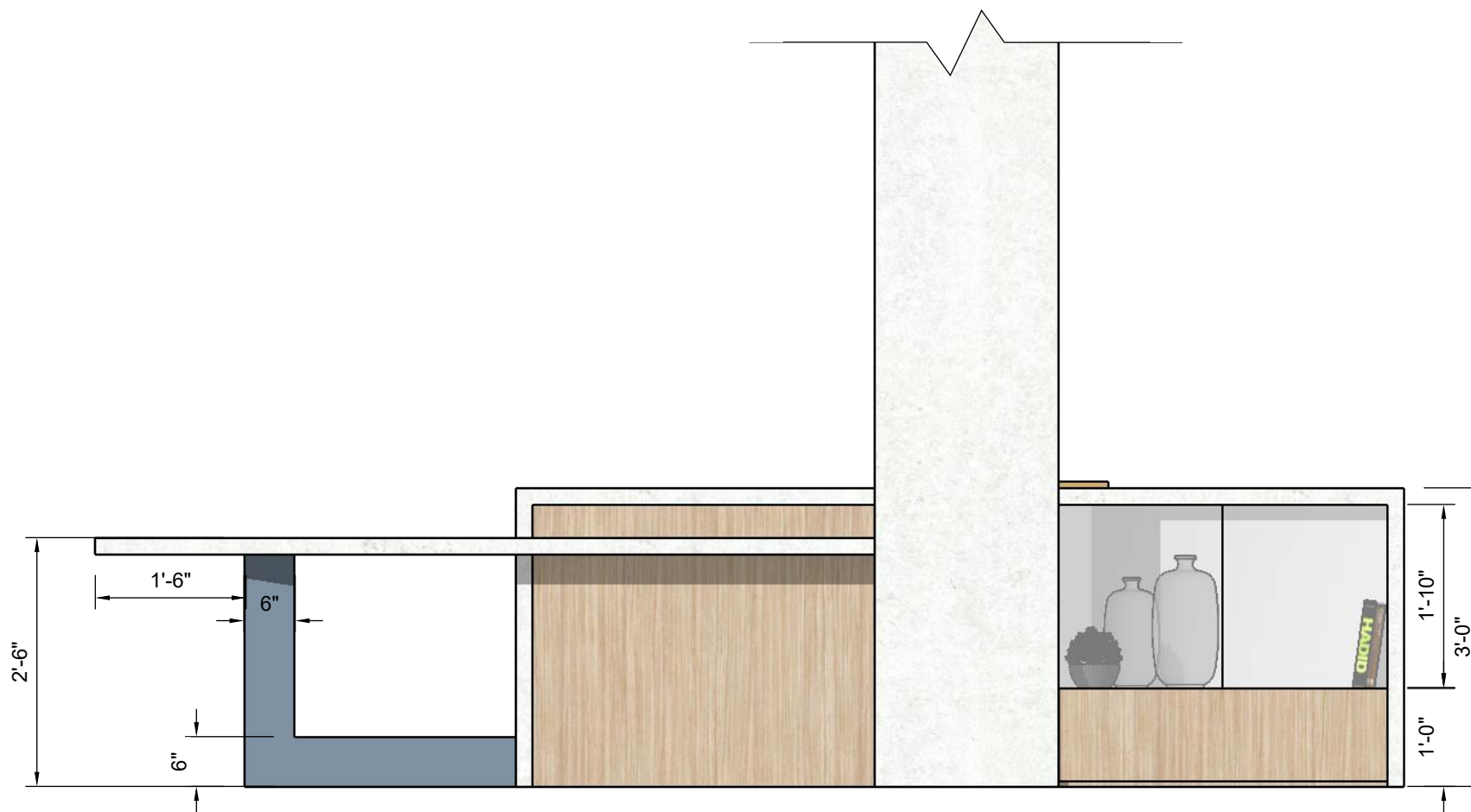


© 2023 WPCN

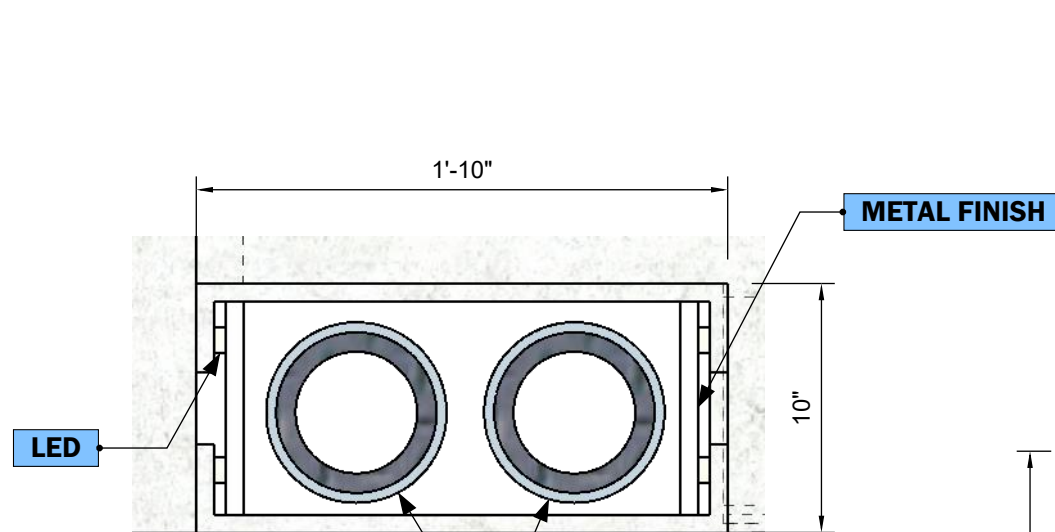
CONTACT DESIGN TEAM



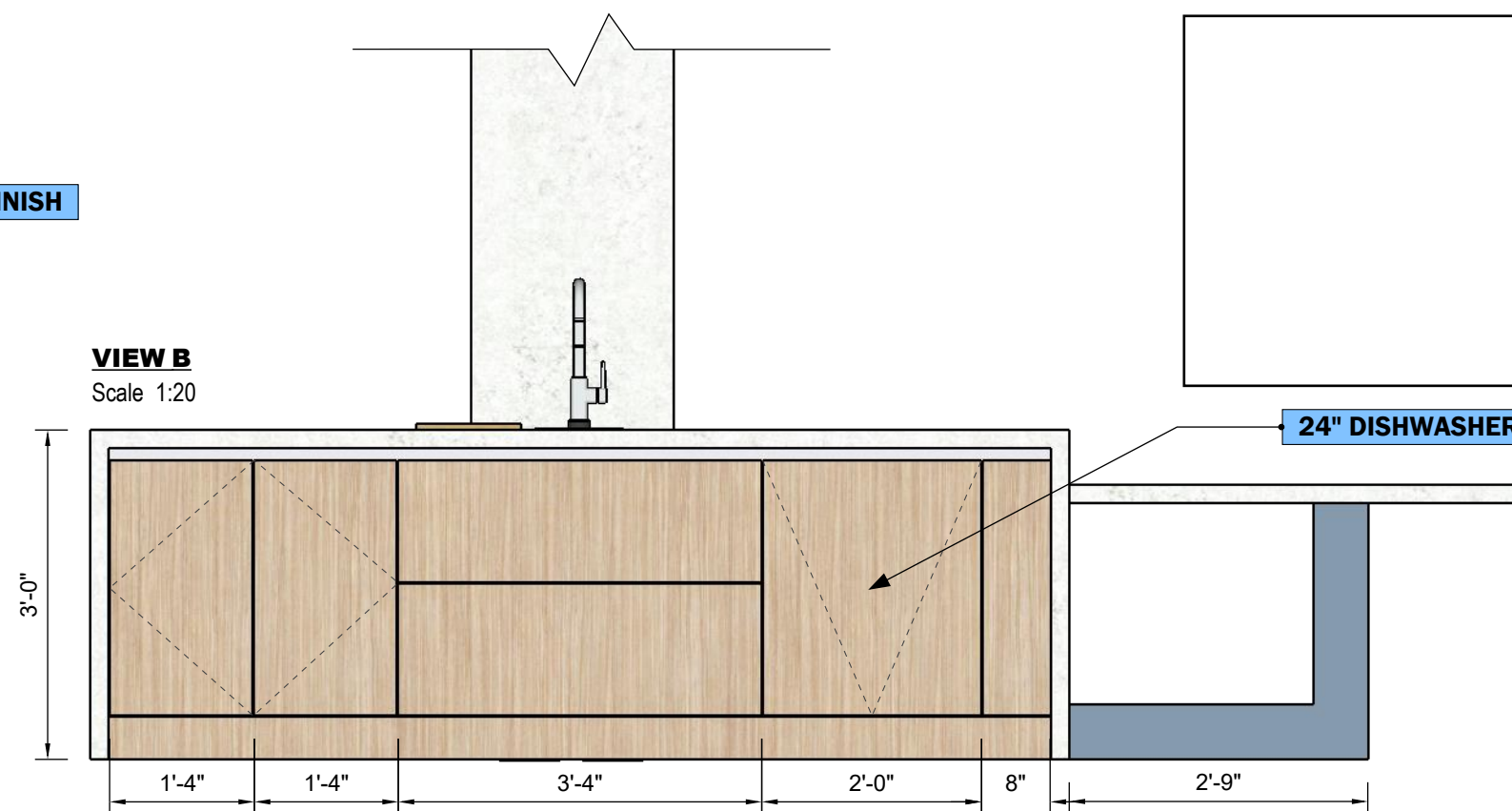
**VIEW C**  
Scale 1:20



**VIEW D**  
Scale 1:20



**DETAIL A**  
Scale 1:8



**VIEW B**  
Scale 1:20

**2104 CONTINUUM SOUTH**  
0000 Fl, 33000

ISSUE 06/ 21/ 2023  
RE - ISSUE 06/21/2023  
OWNER CLIENT NAME  
DESIGN BY J. Alonso  
DRAWN BY A. Quintero  
PAGE NAME ELEVATIONS

**DESIGN CONCEPT**

ALL MEASUREMENTS  
MUST BE  
VERIFIED IN FIELD

DISCARD ALL DRAWINGS THAT  
WERE MADE ON THIS ITEM PRIOR  
TO THE DATE BELOW:

06/21/2023

This drawing is not intended to be used  
for contract pricing or fabrication  
purposes.  
All content is subject to change

**A - 03**

KITCHEN  
CABINETS &  
ISLAND