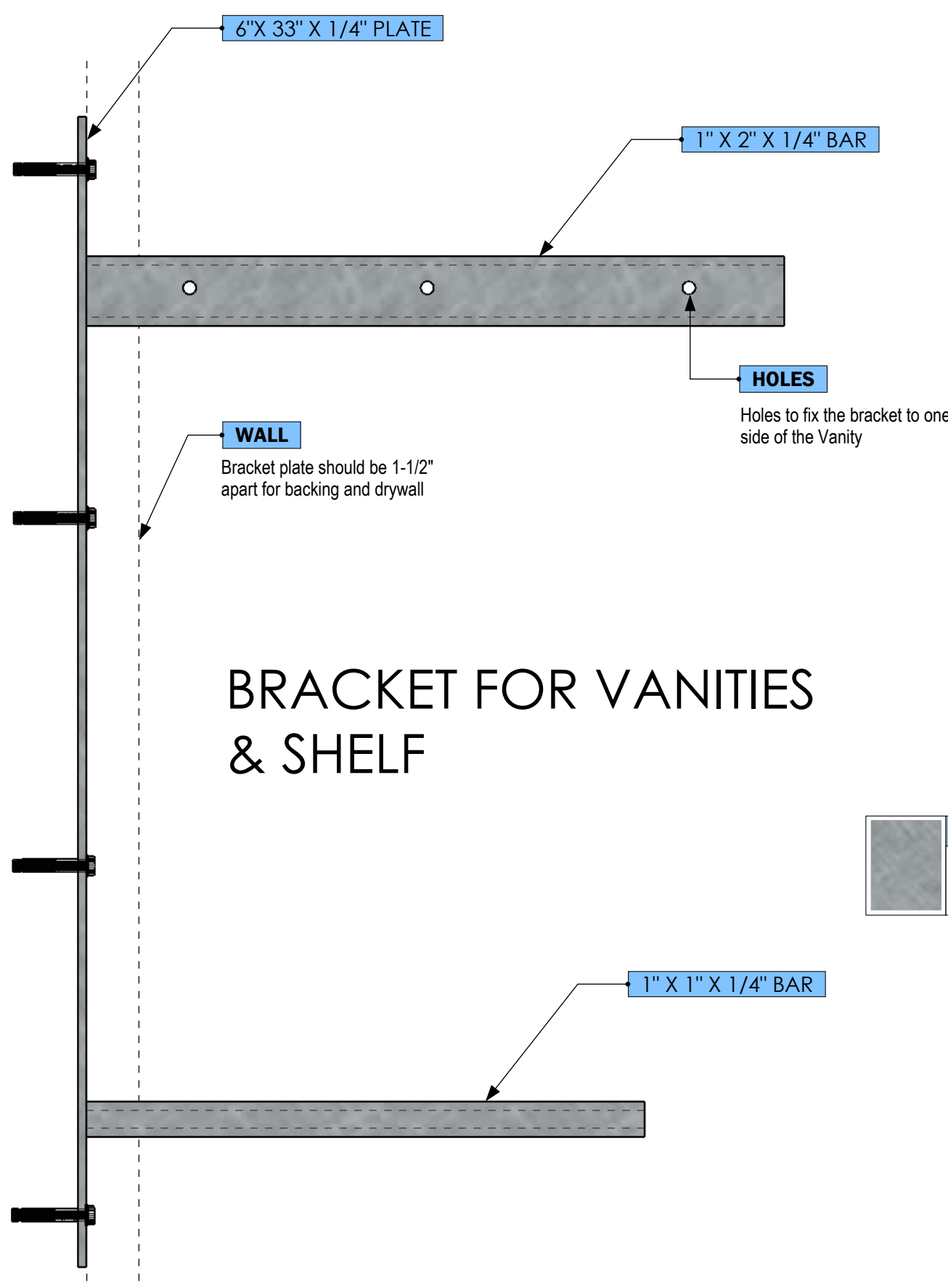
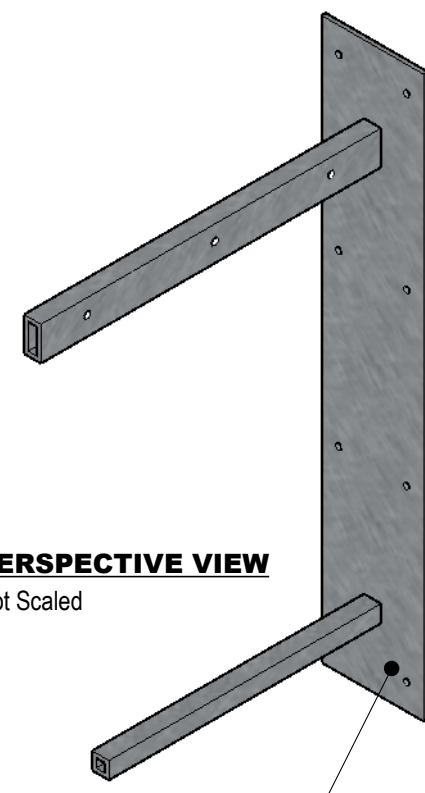


**FRONT VIEW**  
Scale 1:4



**SIDE VIEW**  
Scale 1:4



**PERSPECTIVE VIEW**  
Not Scaled

	FINISH	SELLER
	<b>STEEL</b>	
Item No:		

# BRACKET FOR VANITIES & SHELF

**PROGRESS DRAWING**

**ALL MEASUREMENTS MUST BE VERIFIED IN FIELD**

This drawing is not intended to be used for contract pricing or fabrication purposes. All content is subject to change.

---

DISCARD ALL DRAWINGS THAT WERE MADE ON THIS ITEM PRIOR TO THE DATE BELOW:

**08/17/2022**

---

**NOTES**

Drawings may not be scaled. The numerical dimensions represent correct measurements. All dimensions are given from finished floor and finished wall unless otherwise noted. All design ideas, drawings and plans represented here are owned by the property of **WESTHAVEN CONSTRUCTION SERVICES**. All rights reserved. Above suggested electrical and plumbing locations, must be verified in field.



**WESTHAVEN**  
CONSTRUCTION SERVICES, INC.

**CLIENT**  
CLIENT NAME  
0000  
FL, 33000

**ISSUE**  
08/ 17/ 2022  
**RE - ISSUE**  
MM,DD,YY

**DESIGN BY**  
Joel A.  
**DRAWN BY**  
Abel Q.

**DESCRIPTION**  
DESCRIPTION  
PAGE NAME  
PAGE No 1

**PROJECT No**  
0000  
**PROJECT NAME**  
PROJECT NAME