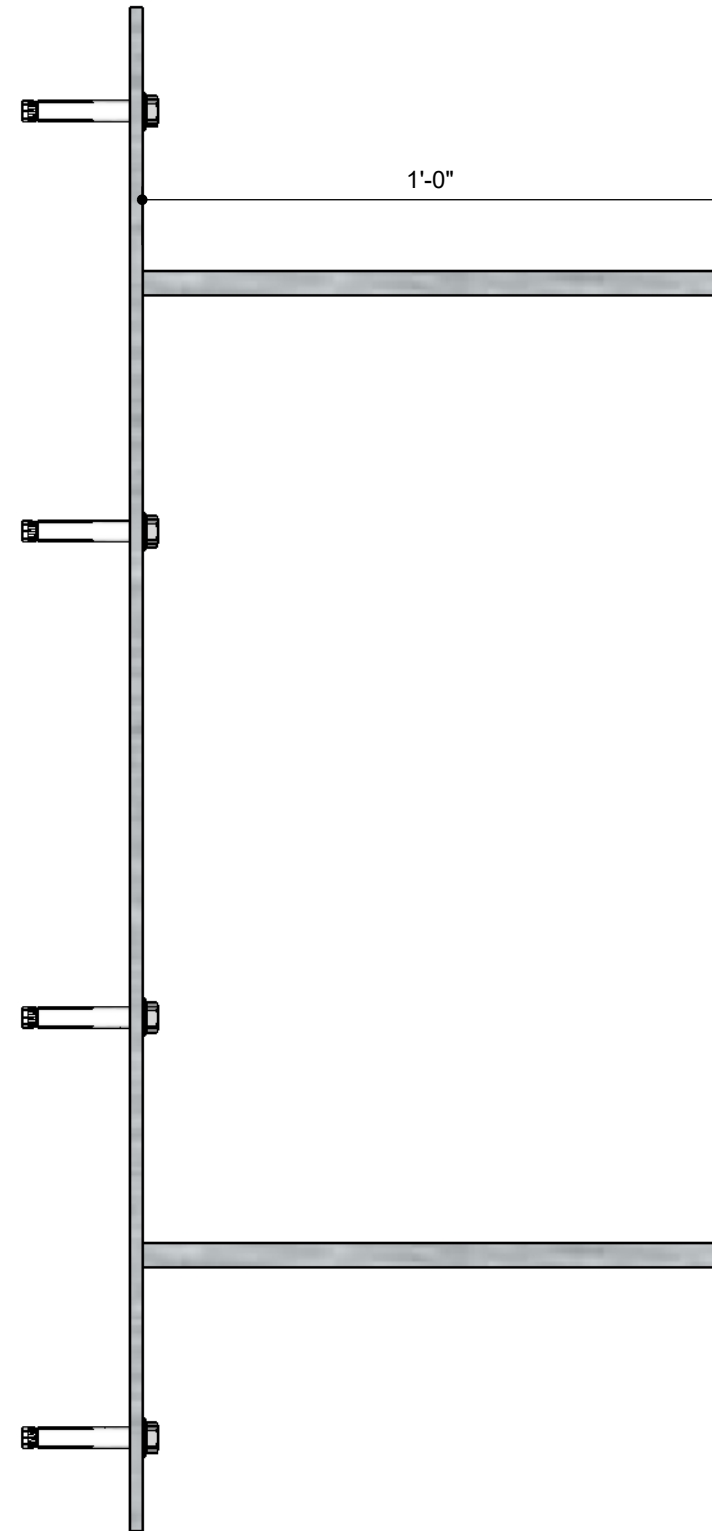
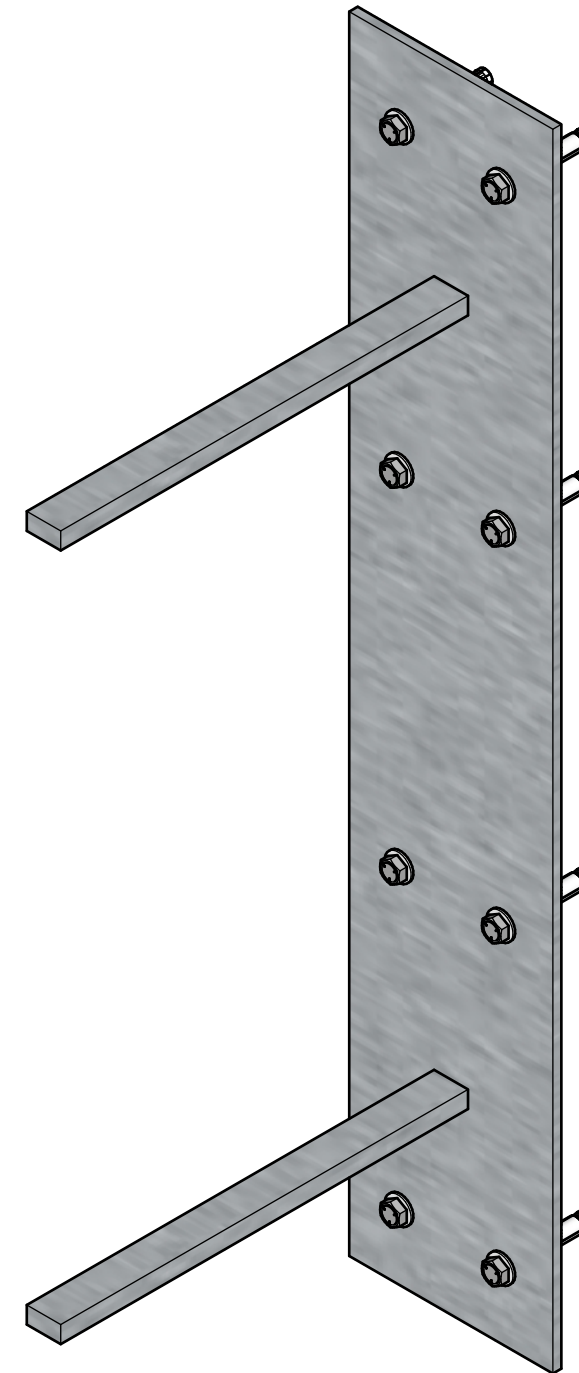


FRONT VIEW
Scale 1:16



SIDE VIEW
Scale 1:16



PERSPECTIVE VIEW
Not Scaled

PROGRESS DRAWING

ALL MEASUREMENTS MUST BE VERIFIED IN FIELD

This drawing is not intended to be used for contract pricing or fabrication purposes. All content is subject to change.

DISCARD ALL DRAWINGS THAT WERE MADE ON THIS ITEM PRIOR TO THE DATE BELOW:

08/16/2022

NOTES

Drawings may not be scaled. The numerical dimensions represent correct measurements. All dimensions are given from finished floor and finished wall unless otherwise noted. All design ideas, drawings and plans represented here are owned by the property of **WESTHAVEN CONSTRUCTION SERVICES**. All rights reserved. Above suggested electrical and plumbing locations, must be verified in field.



WESTHAVEN
CONSTRUCTION SERVICES, INC.

CLIENT
COMMON ITEM
0000
FL, 33000

ISSUE
08/ 16/ 2022
RE - ISSUE
MM,DD,YY

DESIGN BY
Joel A.
DRAWN BY
Abel Q.

DESCRIPTION
BRACKET FOR SHELVES
PAGE NAME
PAGE No 1

PROJECT No
007
PROJECT NAME
WESTHAVEN

A-01